



US00D816729S

(12) **United States Design Patent** (10) **Patent No.:** **US D816,729 S**  
**Diebold et al.** (45) **Date of Patent:** **\*\* May 1, 2018**

(54) **OPERATOR STATION CONSOLE PILLAR COVER**

(71) Applicant: **Deere & Company**, Moline, IL (US)

(72) Inventors: **Elizabeth A. Diebold**, Dubuque, IA (US); **Daniel R. Klein**, Peosta, IA (US); **Amy Wessel**, Edgewood, IA (US); **Thomas Ward**, Ventura, CA (US)

(73) Assignee: **DEERE & COMPANY**, Moline, IL (US)

(\*\*) Term: **15 Years**

(21) Appl. No.: **29/605,171**

(22) Filed: **May 24, 2017**

(51) **LOC (11) Cl.** ..... **15-03**

(52) **U.S. Cl.**  
USPC ..... **D15/28; D15/17**

(58) **Field of Classification Search**  
USPC ..... D15/17, 28, 14, 15, 22-26, 31, 33;  
D12/192; 180/69.24, 69.2, 69.21, 90,  
180/89.12, 900; 296/70, 30, 72, 191,  
296/192, 193.03

CPC ..... B62D 49/00; B60K 37/00; B60K 37/02;  
B60K 37/04; B60K 2350/928; B60Y  
2200/22

See application file for complete search history.

(56) **References Cited**

**U.S. PATENT DOCUMENTS**

D256,018 S \* 7/1980 Stone ..... D12/192  
D407,415 S \* 3/1999 Flatau ..... D15/28  
D427,613 S \* 7/2000 Altmann ..... D15/28  
D449,056 S \* 10/2001 Westimayer ..... D15/28  
D459,734 S \* 7/2002 Hohnl ..... D15/28  
D471,564 S \* 3/2003 Hohnl ..... D15/28  
D484,894 S \* 1/2004 McCord ..... D15/28

D549,739 S \* 8/2007 Stephens ..... D15/28  
D584,321 S \* 1/2009 Matsumoto ..... D15/17  
D585,462 S \* 1/2009 Smith ..... D15/28  
D594,885 S \* 6/2009 Kuwae ..... D15/17  
D636,794 S \* 4/2011 Ono ..... D15/28  
D645,482 S \* 9/2011 Magnusson ..... D15/28  
D652,063 S \* 1/2012 Takeuchi ..... D15/28  
D652,433 S \* 1/2012 Takeuchi ..... D15/28  
D656,966 S \* 4/2012 Iwata ..... D15/28  
D667,026 S \* 9/2012 Stimel, Jr. .... D15/28  
D667,027 S \* 9/2012 Stimel, Jr. .... D15/28  
D667,849 S \* 9/2012 Stimel, Jr. .... D15/28  
D683,369 S \* 5/2013 Takagi ..... D15/17  
D685,006 S \* 6/2013 Hagura ..... D15/17  
D687,075 S \* 7/2013 Richard ..... D15/28  
D687,469 S \* 8/2013 Takagi ..... D15/17  
D692,466 S \* 10/2013 Takagi ..... D15/17  
D697,534 S \* 1/2014 Uchida ..... D15/17  
D707,722 S \* 6/2014 Higashikawa ..... D15/15  
D718,343 S \* 11/2014 Carter ..... D15/28  
D727,978 S \* 4/2015 Higuchi ..... D15/28

(Continued)

*Primary Examiner* — Mark Goodwin

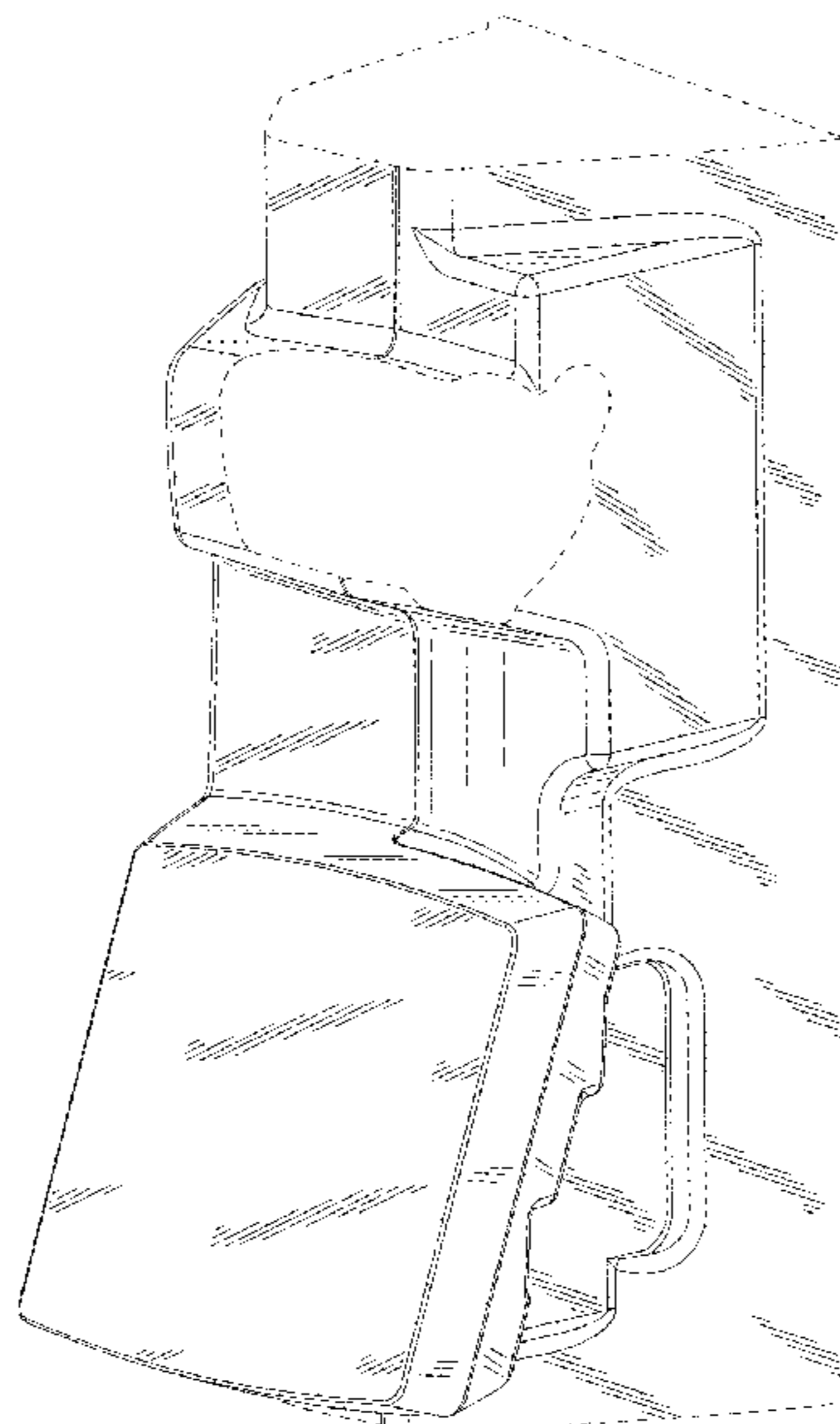
(57) **CLAIM**

The ornamental design for an operator station console pillar cover, as shown and described.

**DESCRIPTION**

FIG. 1 is a perspective view of an operator station console pillar cover showing our new design.  
FIG. 2 is a left side view thereof.  
FIG. 3 is a right side view thereof.  
FIG. 4 is a front view thereof.  
FIG. 5 is a rear view thereof.  
FIG. 6 is a top view thereof; and,  
FIG. 7 is a bottom view thereof.  
The broken line representations of environmental structure in FIGS. 1-7 is for illustrative purposes only and forms no part of the claimed design.

**1 Claim, 7 Drawing Sheets**



(56)

**References Cited**

U.S. PATENT DOCUMENTS

D745,573 S	*	12/2015	Moore	.....	D15/17
D754,211 S	*	4/2016	Moore	.....	D15/28
D760,813 S	*	7/2016	Roemer	.....	D15/28
D777,216 S	*	1/2017	Allemeier	.....	D15/28
D777,801 S	*	1/2017	Furuki	.....	D15/28

\* cited by examiner

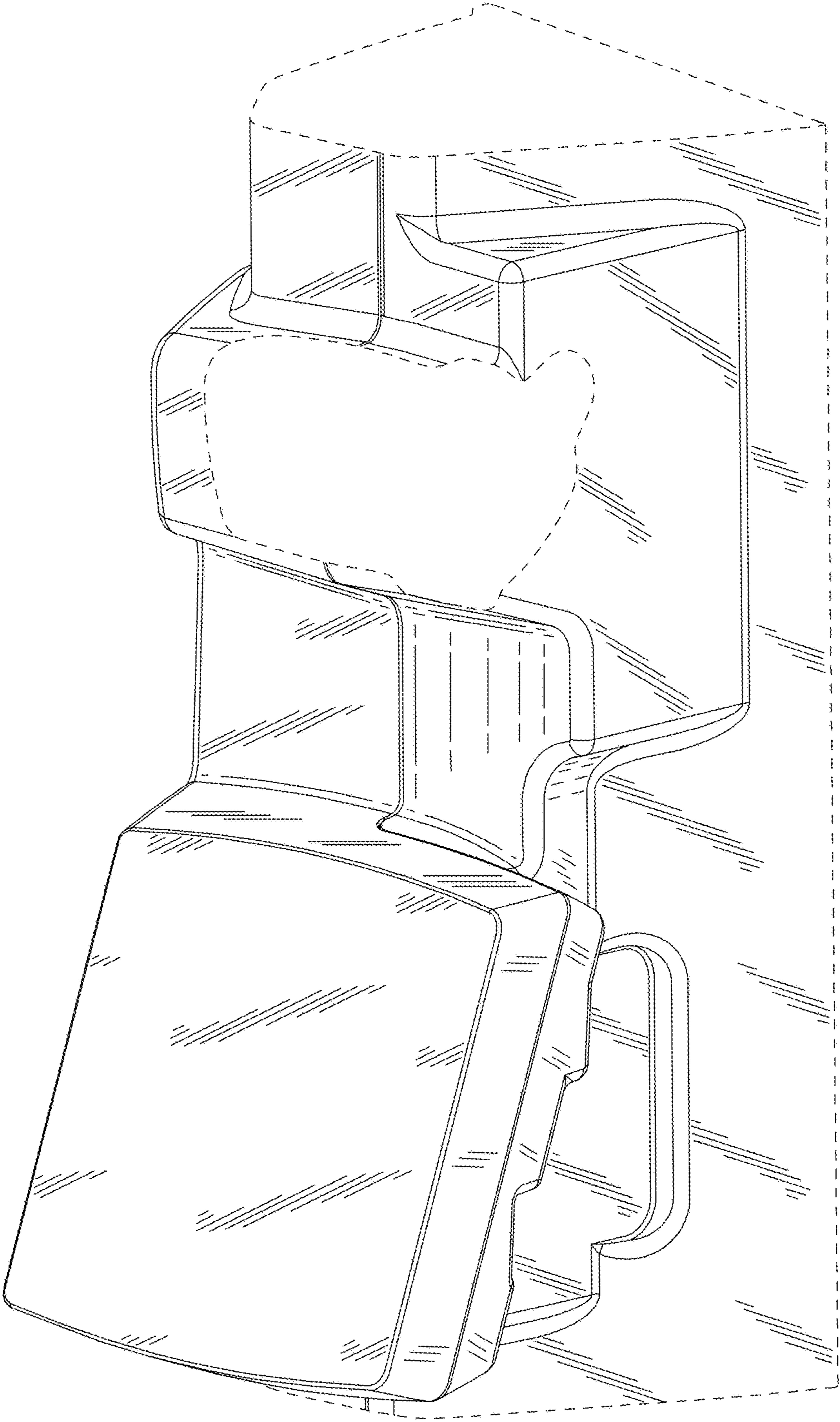


FIG. 1

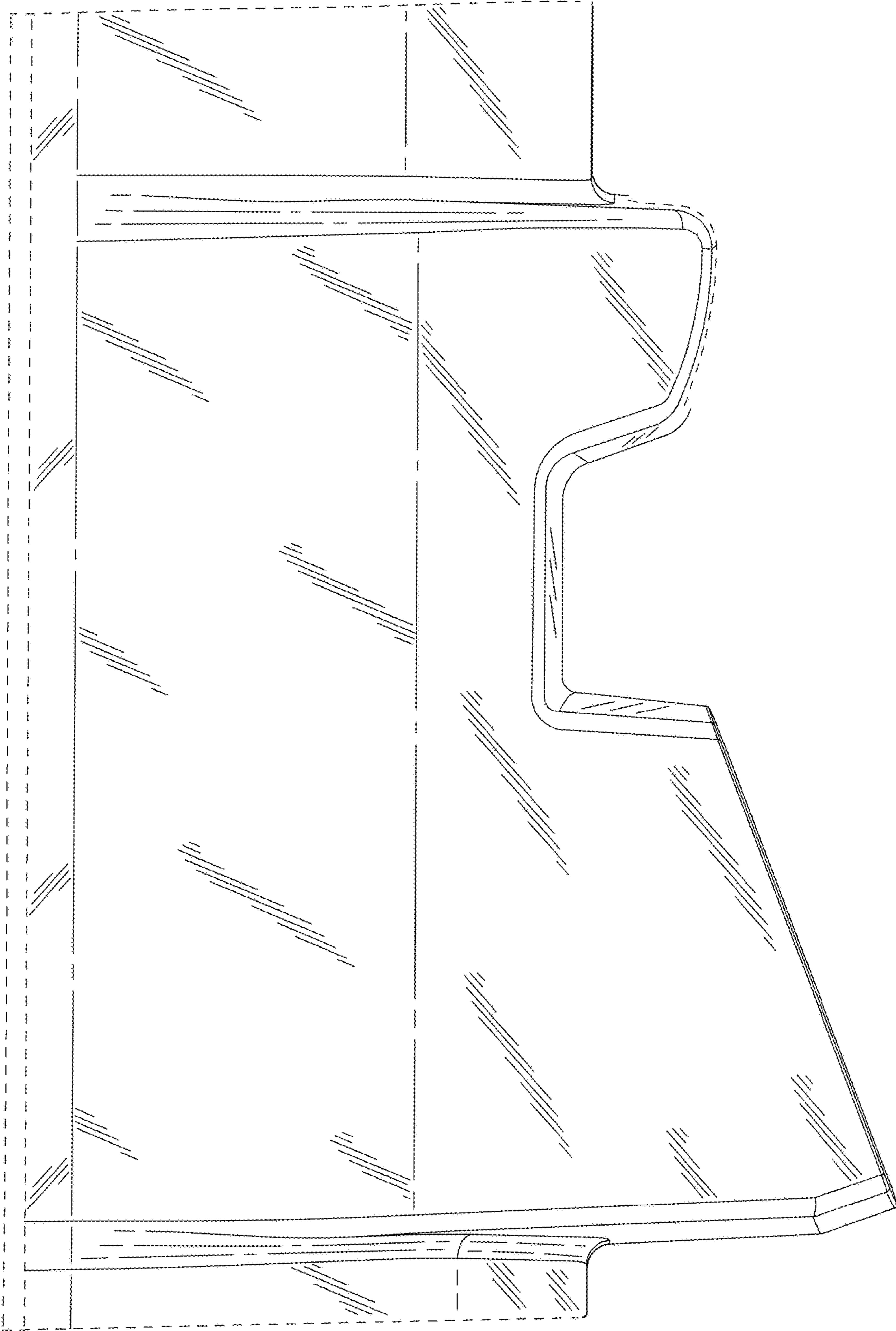


FIG. 2



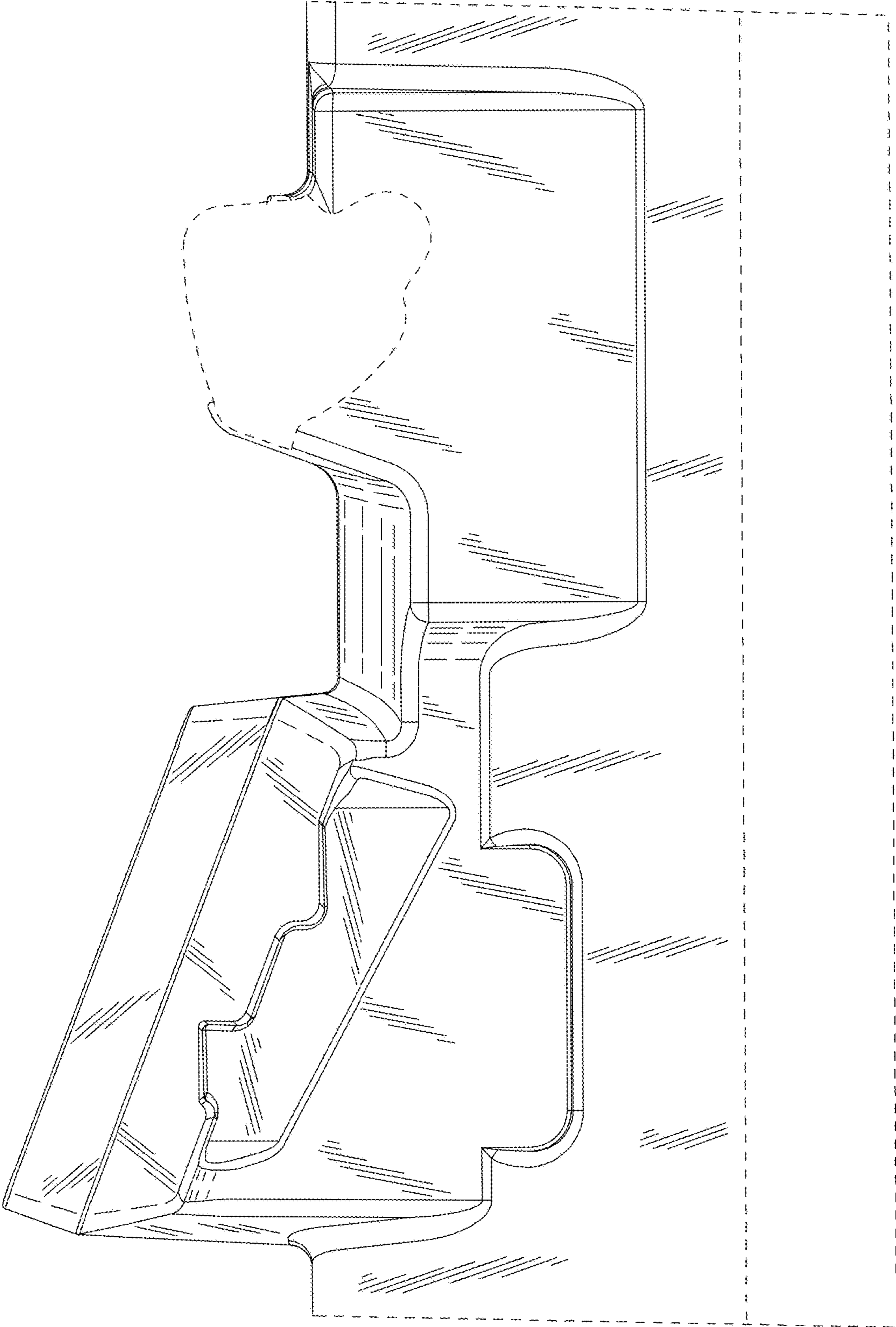


FIG. 3

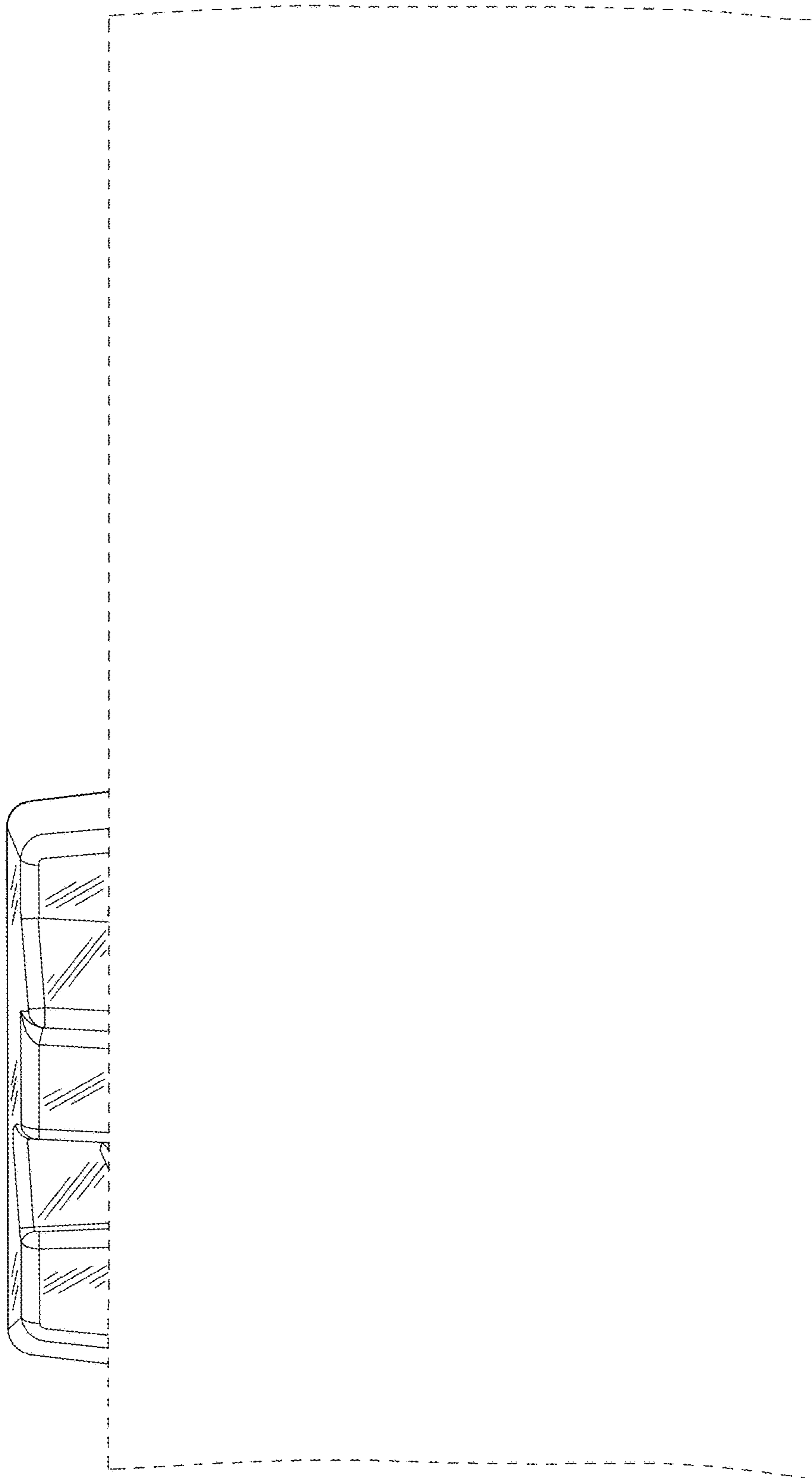


FIG. 4

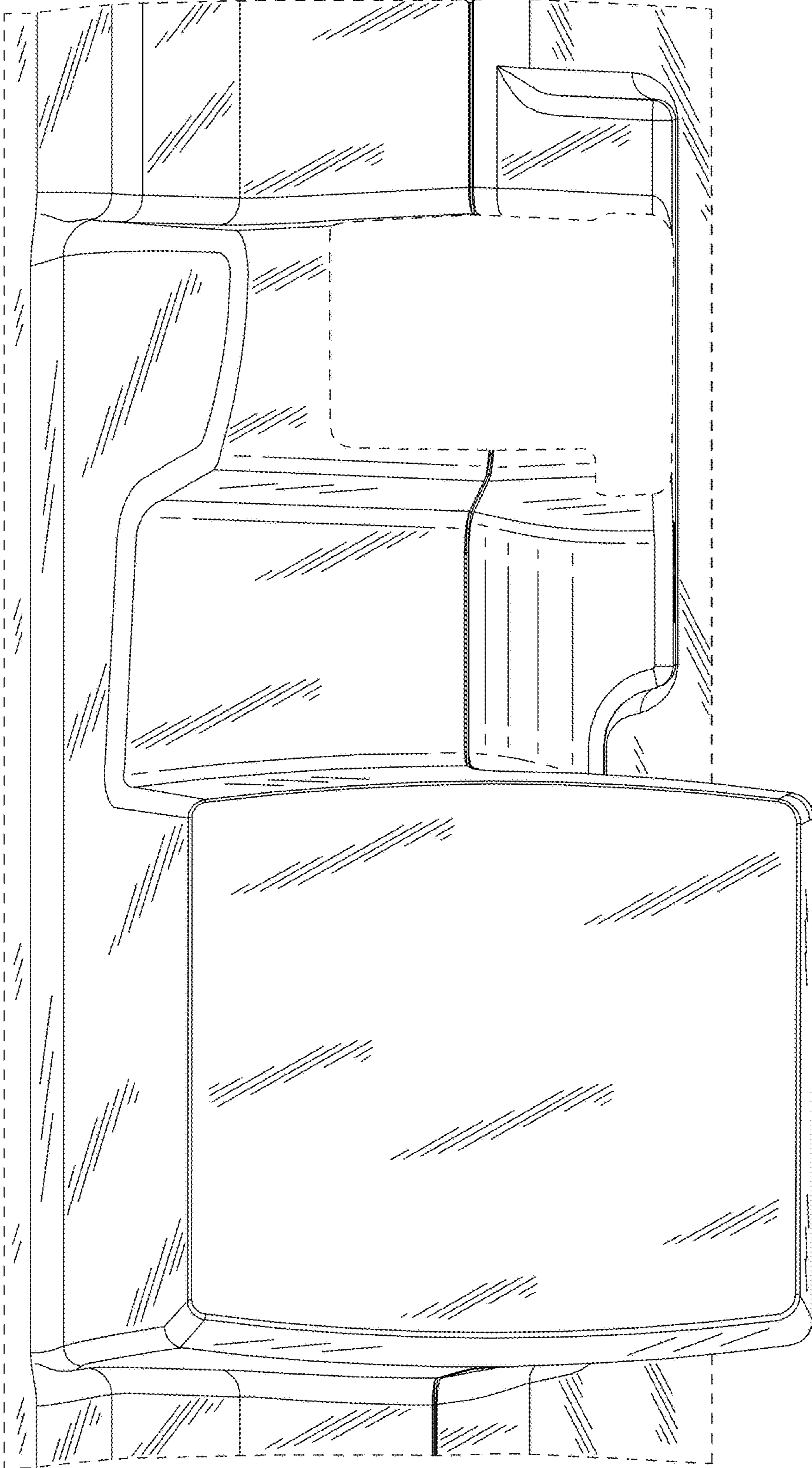


FIG. 5

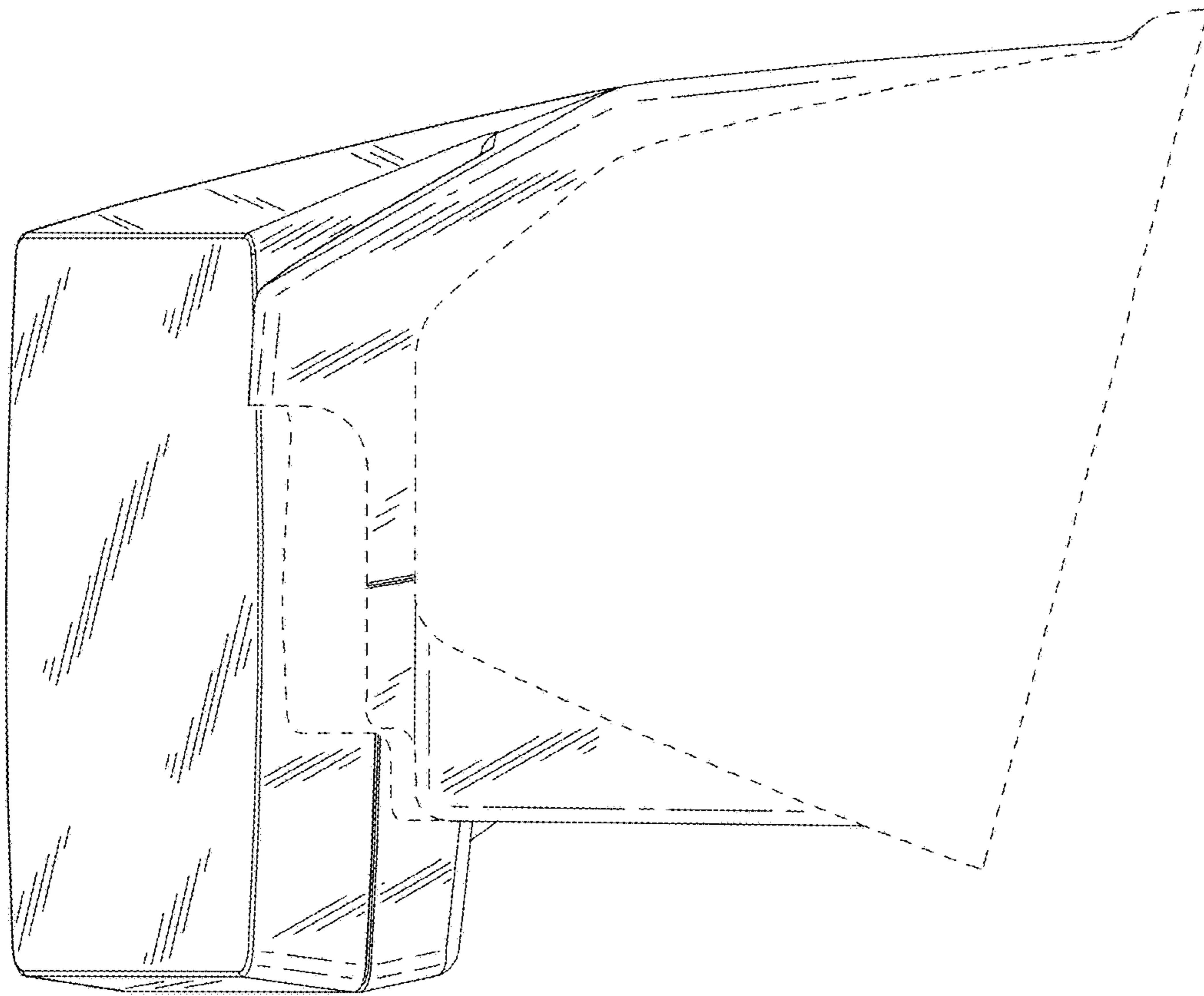


FIG. 6



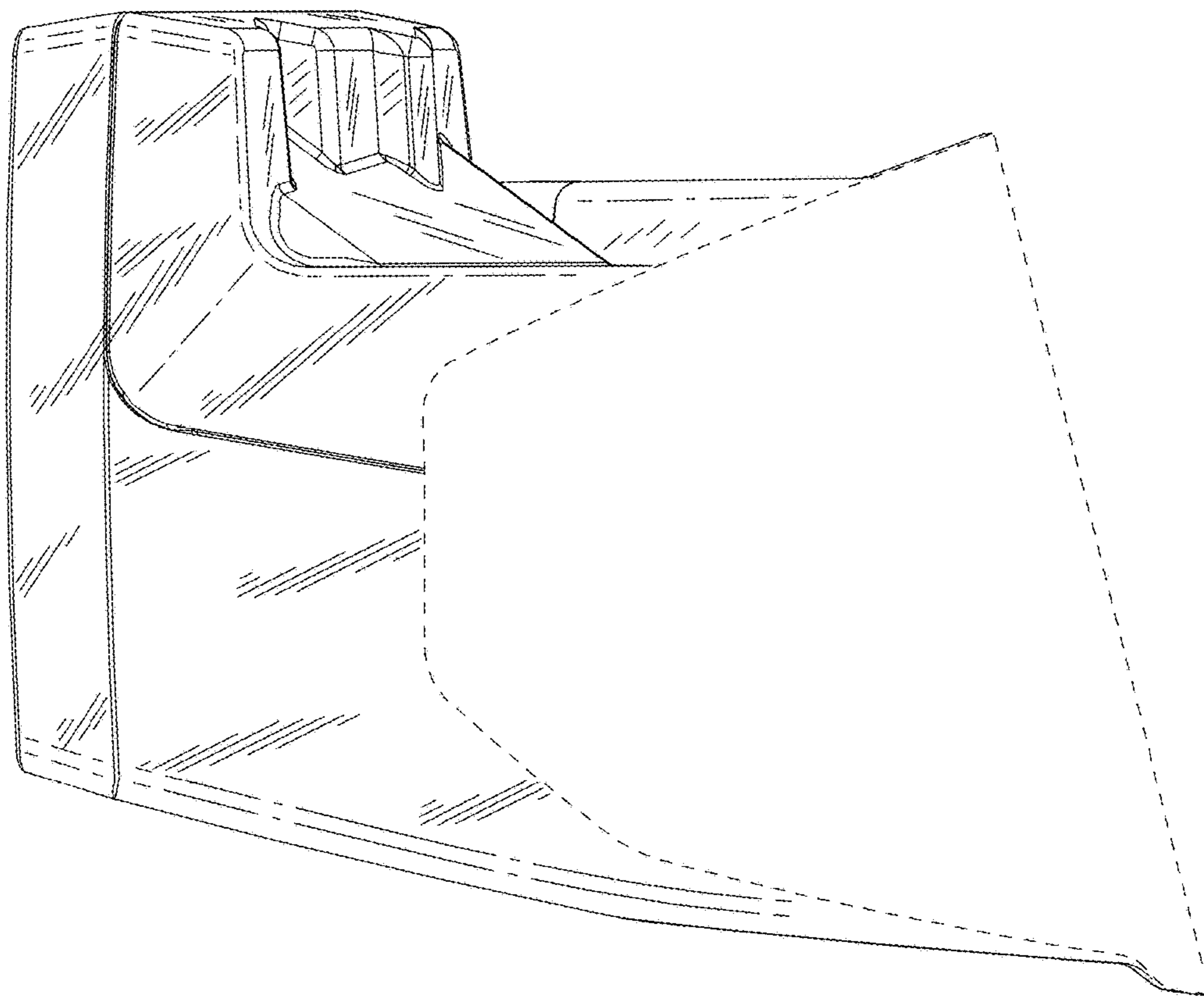


FIG. 7