



US00D816728S

(12) **United States Design Patent** (10) **Patent No.:** **US D816,728 S**  
**Diebold et al.** (45) **Date of Patent:** **\*\* May 1, 2018**

(54) **OPERATOR STATION STEERING COLUMN**

(71) Applicant: **Deere & Company**, Moline, IL (US)

(72) Inventors: **Elizabeth A. Diebold**, Dubuque, IA (US); **Daniel R. Klein**, Peosta, IA (US); **Amy Wessel**, Edgewood, IA (US); **Thomas Ward**, Ventura, CA (US)

(73) Assignee: **Deere & Company**, Moline, IL (US)

(\*\*) Term: **15 Years**

(21) Appl. No.: **29/605,161**

(22) Filed: **May 24, 2017**

(51) **LOC (11) Cl.** ..... **15-03**

(52) **U.S. Cl.**  
USPC ..... **D15/28**; D15/17

(58) **Field of Classification Search**  
USPC ..... D15/14, 15, 17, 22-26, 28, 31, 33;  
D12/192; 180/69.24, 69.2, 69.21, 90,  
180/89.12, 900; 296/70, 30, 72, 191,  
296/192, 193.03  
CPC ..... B62D 49/00; B60K 37/00; B60K 37/02;  
B60K 37/04; B60K 2350/928; B60Y  
2200/22

See application file for complete search history.

(56) **References Cited**

**U.S. PATENT DOCUMENTS**

4,126,202	A *	11/1978	Hern	.....	B60K 35/00
					180/89.12
D256,018	S *	7/1980	Stone	.....	D12/192
4,447,860	A *	5/1984	Stone	.....	B62D 33/0617
					180/90
D326,662	S *	6/1992	Holm	.....	D15/17
5,136,829	A *	8/1992	Sebben	.....	A01D 34/74
					56/17.2
D365,574	S *	12/1995	Westimayer	.....	D15/17

D389,491	S *	1/1998	Wolf	.....	D12/175
D427,613	S *	7/2000	Altmann	.....	D15/28
D459,734	S *	7/2002	Hohnl	.....	D15/28
D471,564	S *	3/2003	Hohnl	.....	D15/28
D549,739	S *	8/2007	Stephens	.....	D15/28
D584,321	S *	1/2009	Matsumoto	.....	D15/17
D594,885	S *	6/2009	Kuwae	.....	D15/17
D652,063	S *	1/2012	Takeuchi	.....	D15/28
D652,433	S *	1/2012	Takeuchi	.....	D15/28
D685,006	S *	6/2013	Hagura	.....	D15/17
D692,466	S *	10/2013	Takagi	.....	D15/17
D706,309	S *	6/2014	Klein	.....	D15/28
D707,722	S *	6/2014	Higashikawa	.....	D15/15
D718,343	S *	11/2014	Carter	.....	D15/28
D754,211	S *	4/2016	Moore	.....	D15/28
D803,896	S *	11/2017	Jilbert	.....	D15/28
2002/0043414	A1 *	4/2002	Matsuda	.....	B60K 37/00
					180/90
2009/0236876	A1 *	9/2009	Sawai	.....	B62D 25/10
					296/193.11

(Continued)

*Primary Examiner* — Mark A Goodwin

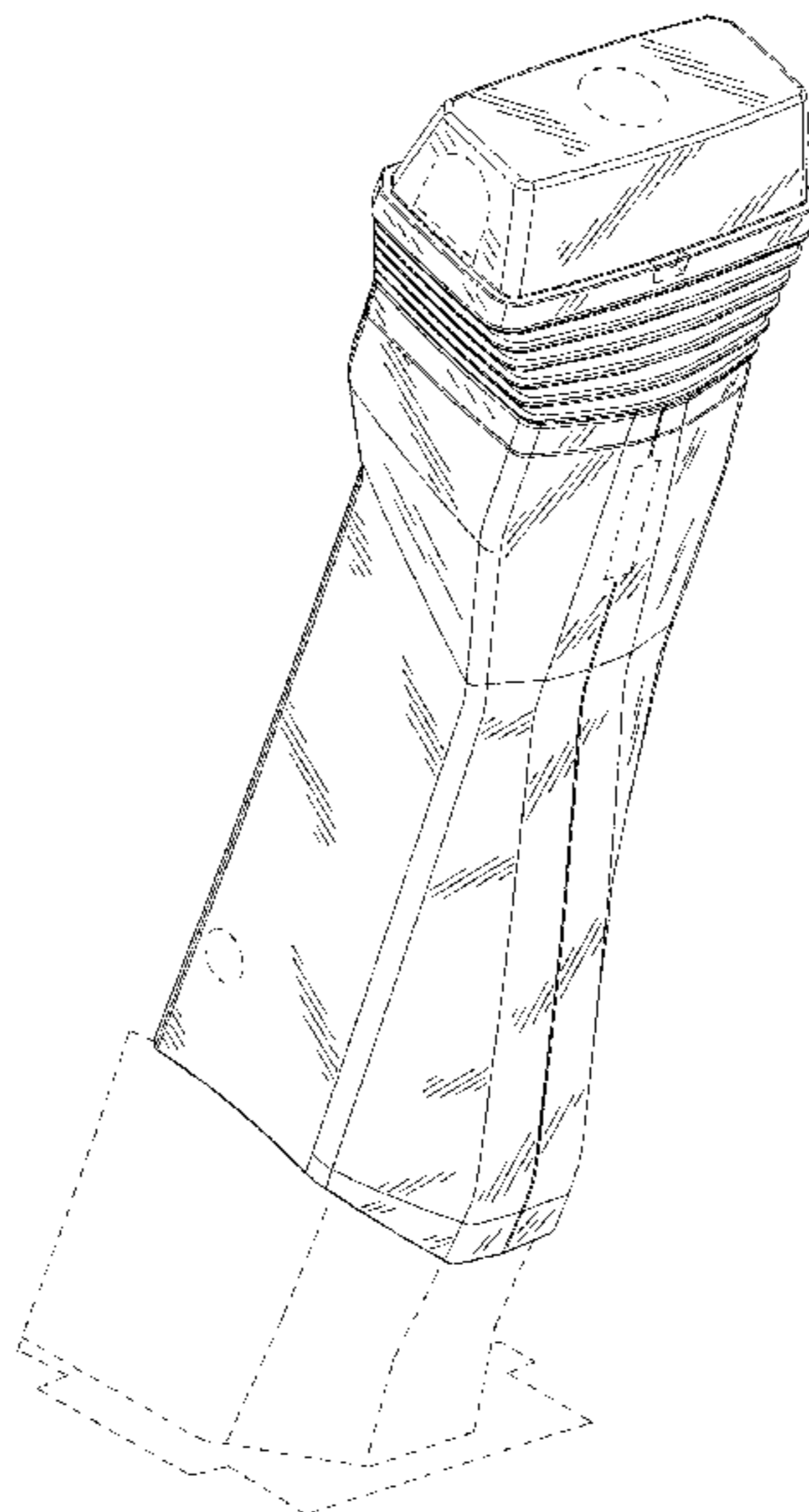
(57) **CLAIM**

The ornamental design for an operator station steering column, as shown and described.

**DESCRIPTION**

FIG. 1 is a perspective view of an operator station steering column showing our new design. FIG. 2 is a left side view thereof. FIG. 3 is a right side view thereof. FIG. 4 is a front view thereof. FIG. 5 is a rear view thereof. FIG. 6 is a top view thereof; and, FIG. 7 is a bottom view thereof. The broken line representations of environmental structure in FIGS. 1-7 is for illustrative purposes only and forms no part of the claimed design.

**1 Claim, 7 Drawing Sheets**



(56)

**References Cited**

U.S. PATENT DOCUMENTS

2013/0062904 A1\* 3/2013 Elhardt ..... B60K 37/00  
296/70

\* cited by examiner

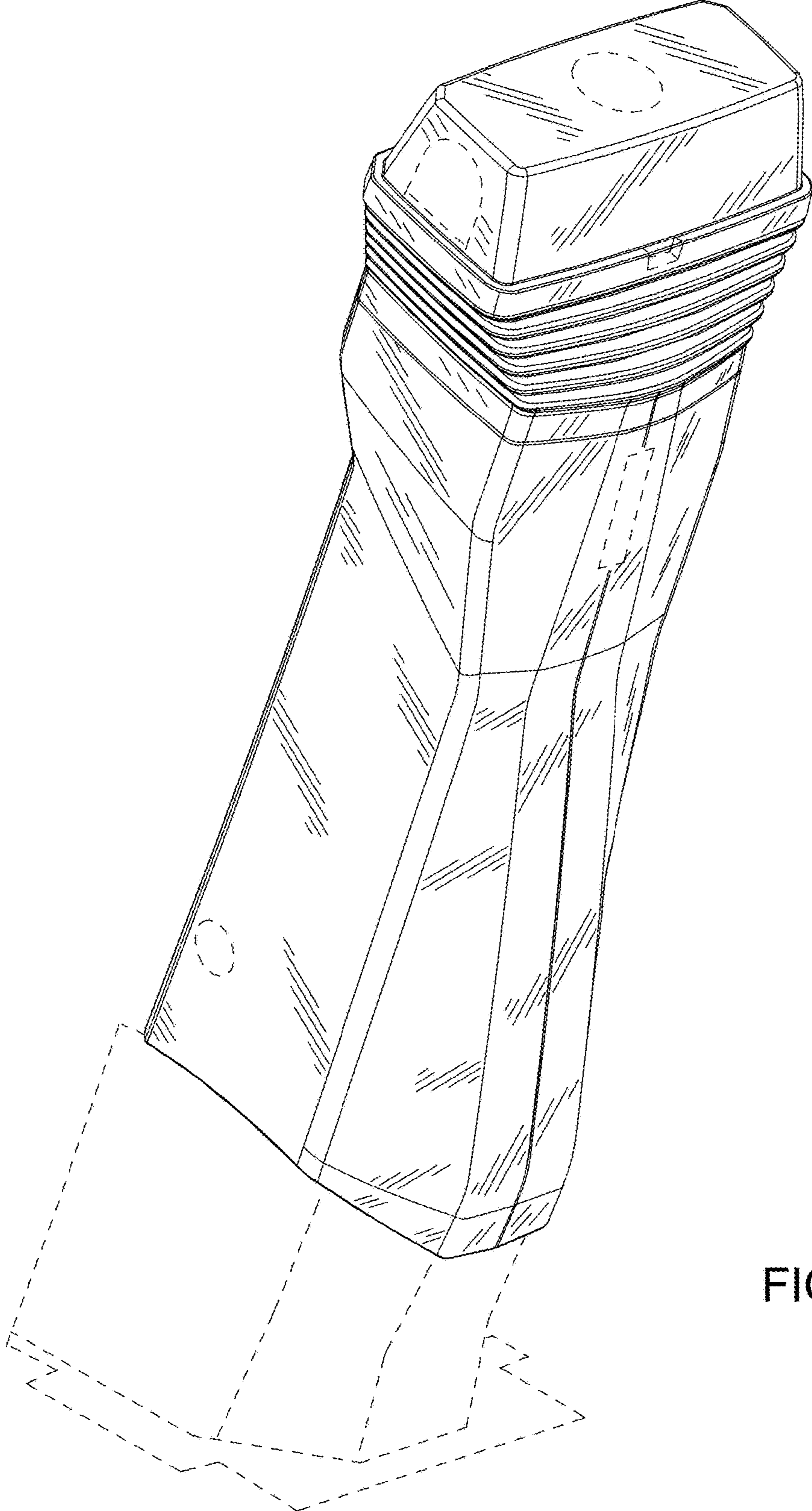


FIG. 1

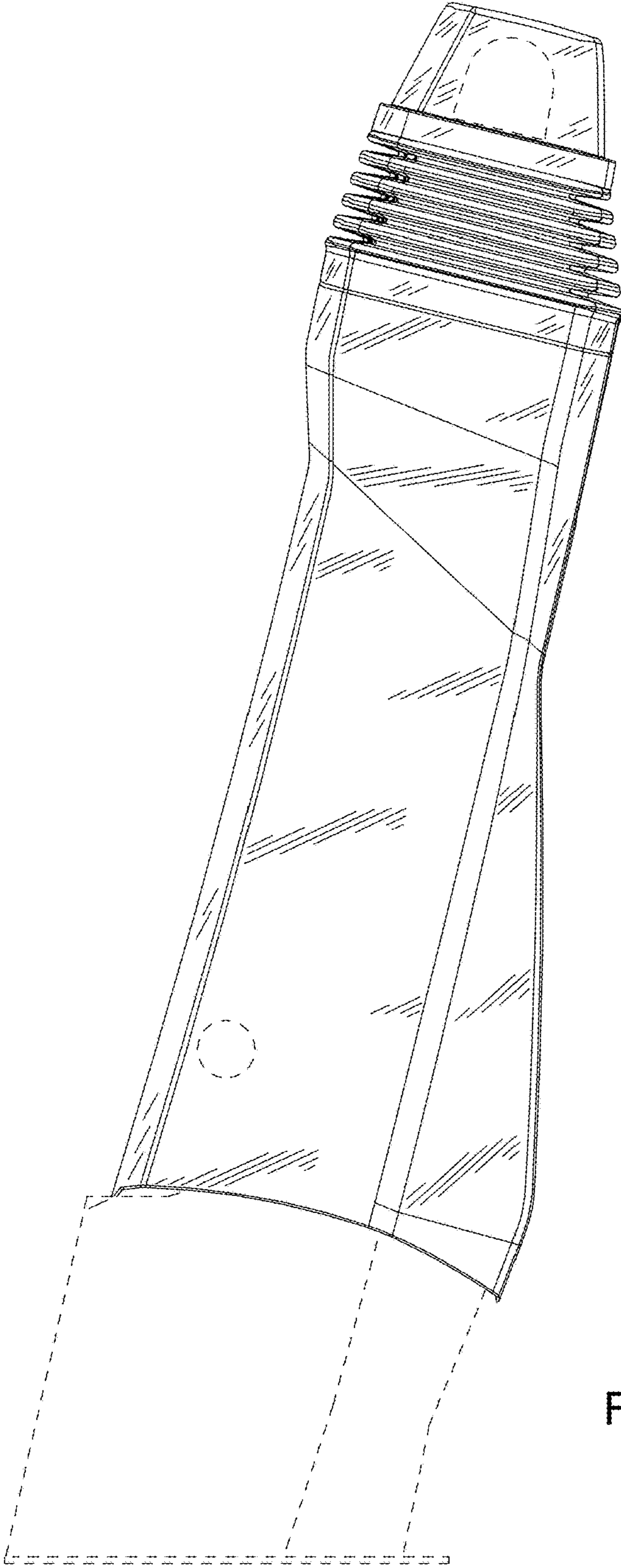


FIG. 2

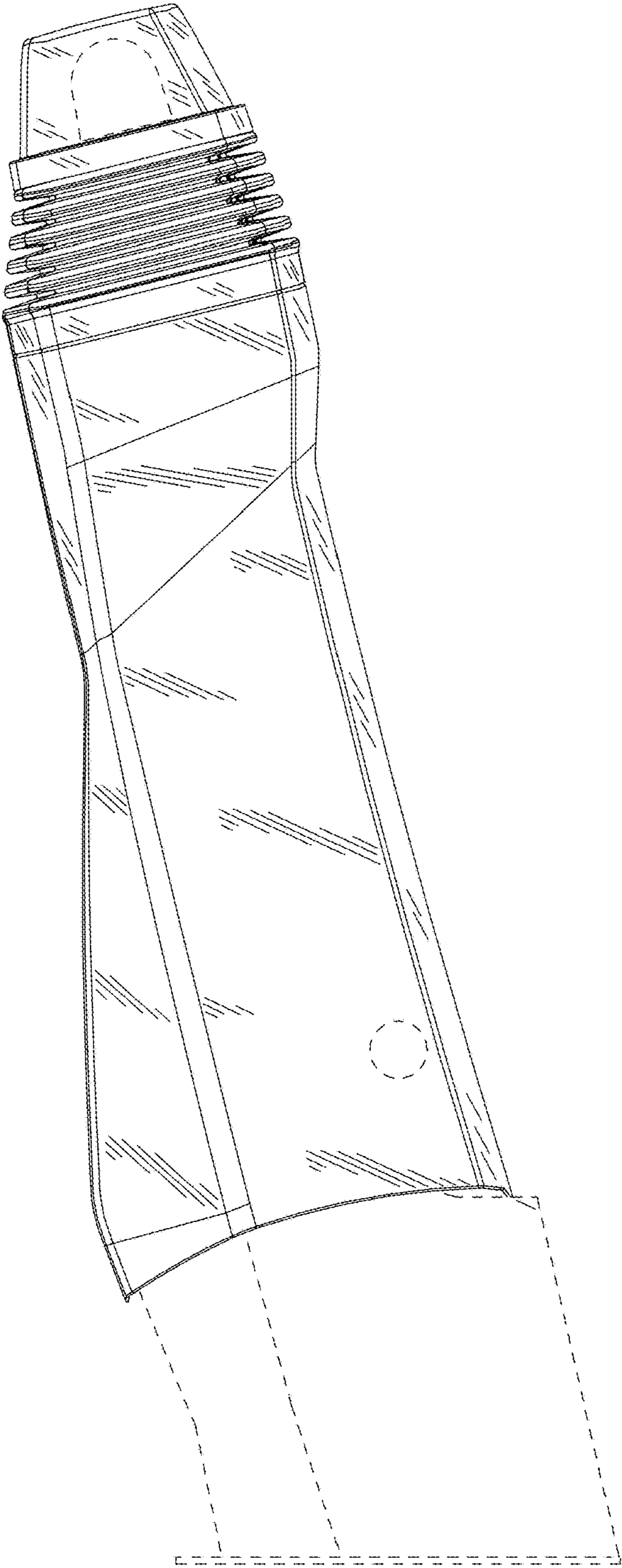


FIG. 3

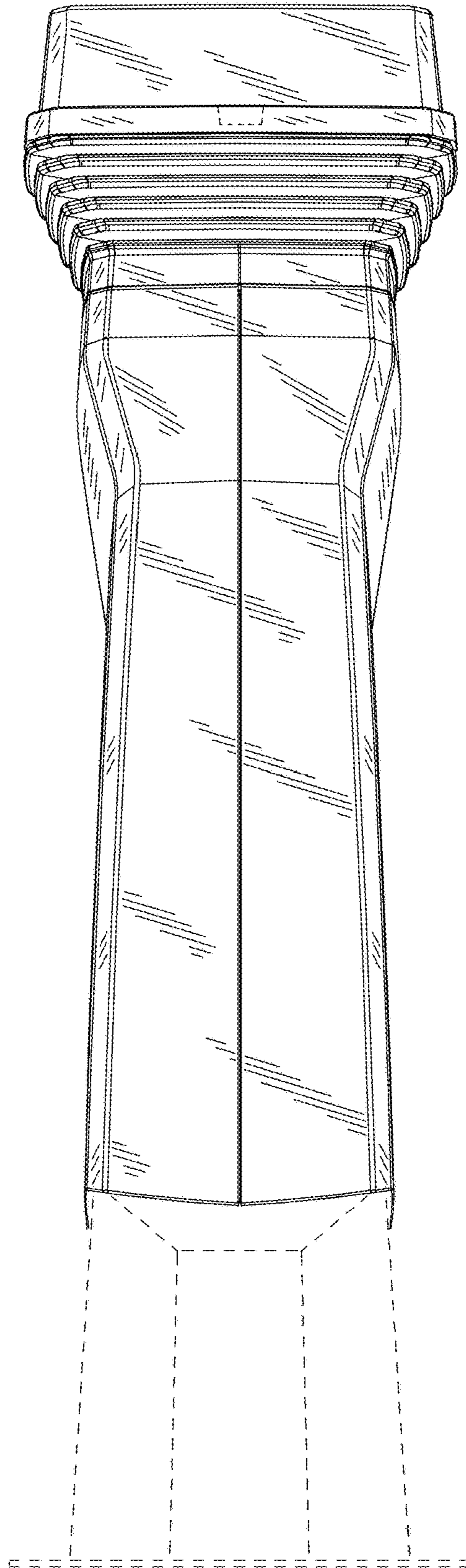


FIG. 4

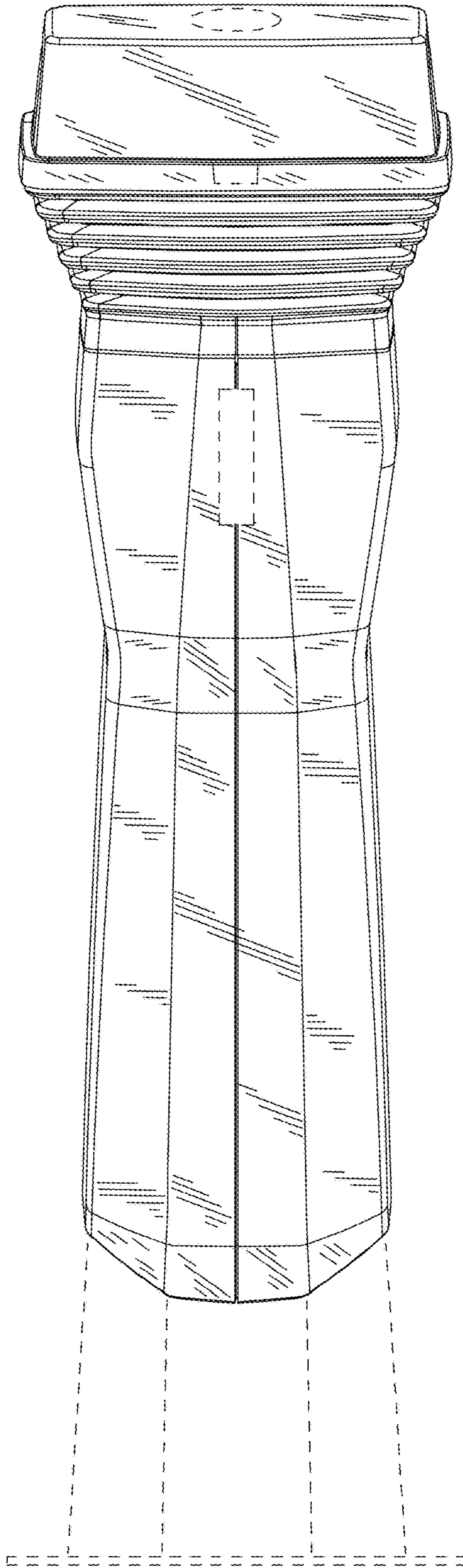


FIG. 5

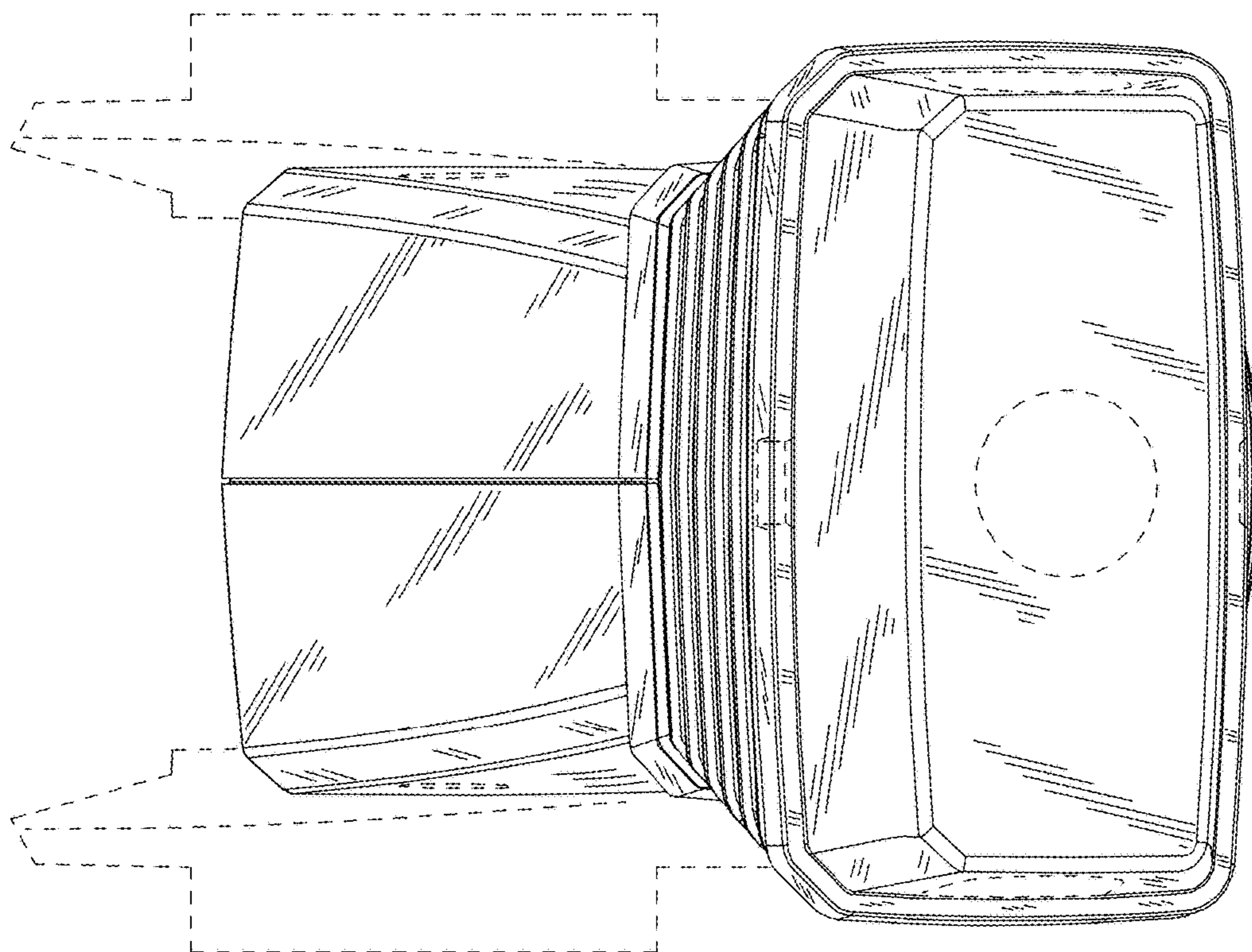


FIG. 6



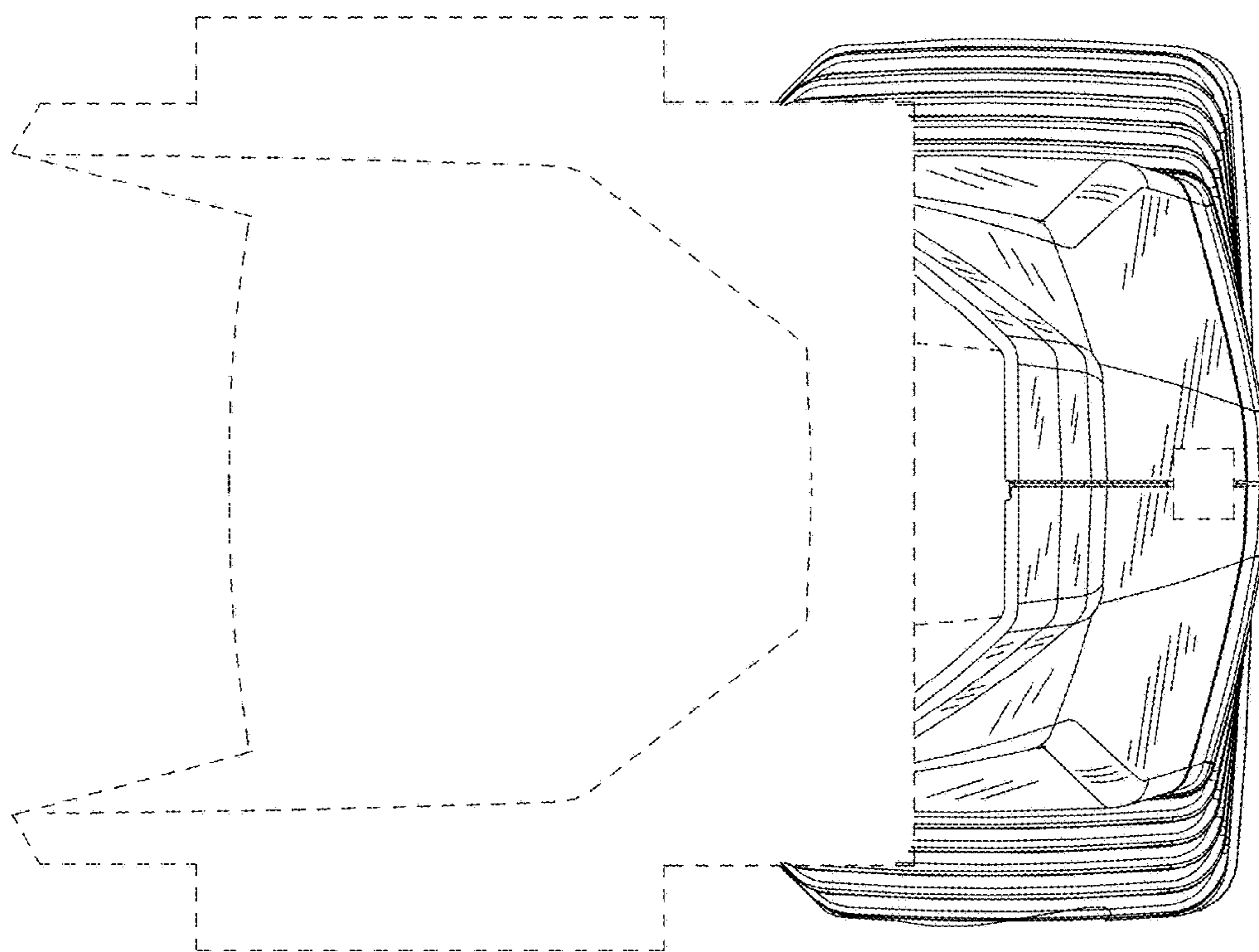


FIG. 7