



US00D816727S

(12) **United States Design Patent** (10) **Patent No.:** **US D816,727 S**
Hallgren (45) **Date of Patent:** **** May 1, 2018**

(54) **BODY PART FOR VEHICLE**

D693,857 S * 11/2013 Hiraoka D15/28
D707,727 S * 6/2014 Miller D15/28
D735,246 S * 7/2015 Miller D15/28
D752,653 S * 3/2016 Lee D15/28

(71) Applicant: **Volvo Construction Equipment AB**,
Eskilstuna (SE)

(72) Inventor: **Michael Hallgren**, Pixbo (SE)

(73) Assignee: **Volvo Construction Equipment AB**,
Eskilstuna (SE)

(**) Term: **15 Years**

(21) Appl. No.: **29/599,752**

(22) Filed: **Apr. 6, 2017**

(30) **Foreign Application Priority Data**

Apr. 6, 2017 (EM) 003844380
Apr. 6, 2017 (EM) 003844406
Apr. 6, 2017 (EM) 003844638

(51) **LOC (11) Cl.** **15-03**

(52) **U.S. Cl.**
USPC **D15/28**

(58) **Field of Classification Search**
USPC D15/22-26, 28, 30, 31, 33, 10; 180/89.1,
180/89.12, 235, 900, 298, 68.5; 414/685,
414/686, 694, 722, 680, 724, 699;
280/400
CPC A01G 23/093; A01G 23/08
See application file for complete search history.

(56) **References Cited**

U.S. PATENT DOCUMENTS

D629,816 S * 12/2010 Nishimura D15/28
D680,137 S * 4/2013 Tsukamoto D15/28
D684,605 S * 6/2013 Hagura D15/28
D684,606 S * 6/2013 Hagura D15/28

OTHER PUBLICATIONS

Images of Volvo Construction Equipment Hauler Model A45G, disclosed at Bauma Trade Fair, Munich, Germany, Apr. 11-17, 2016. Product Brochure for Volvo Construction Equipment Hauler Model A45G, dated Oct. 2016.

Images of Volvo Construction Equipment Excavator Model EC950E, disclosed at Bauma Trade Fair, Munich, Germany, Apr. 11-17, 2016.

Images of Volvo Construction Equipment Excavator Model EC750E, disclosed to public May 2016.

* cited by examiner

Primary Examiner — Mark Goodwin

(74) *Attorney, Agent, or Firm* — Tucker Ellis LLP

(57) **CLAIM**

The ornamental design for a body part for vehicle, as shown and described.

DESCRIPTION

The file of this patent contains at least one drawing/photograph executed in color. Copies of this patent with color drawing(s)/photograph(s) will be provided by the Office upon request and payment of the necessary fee.

FIG. 1 is a perspective view of a body part for vehicle showing my new design.

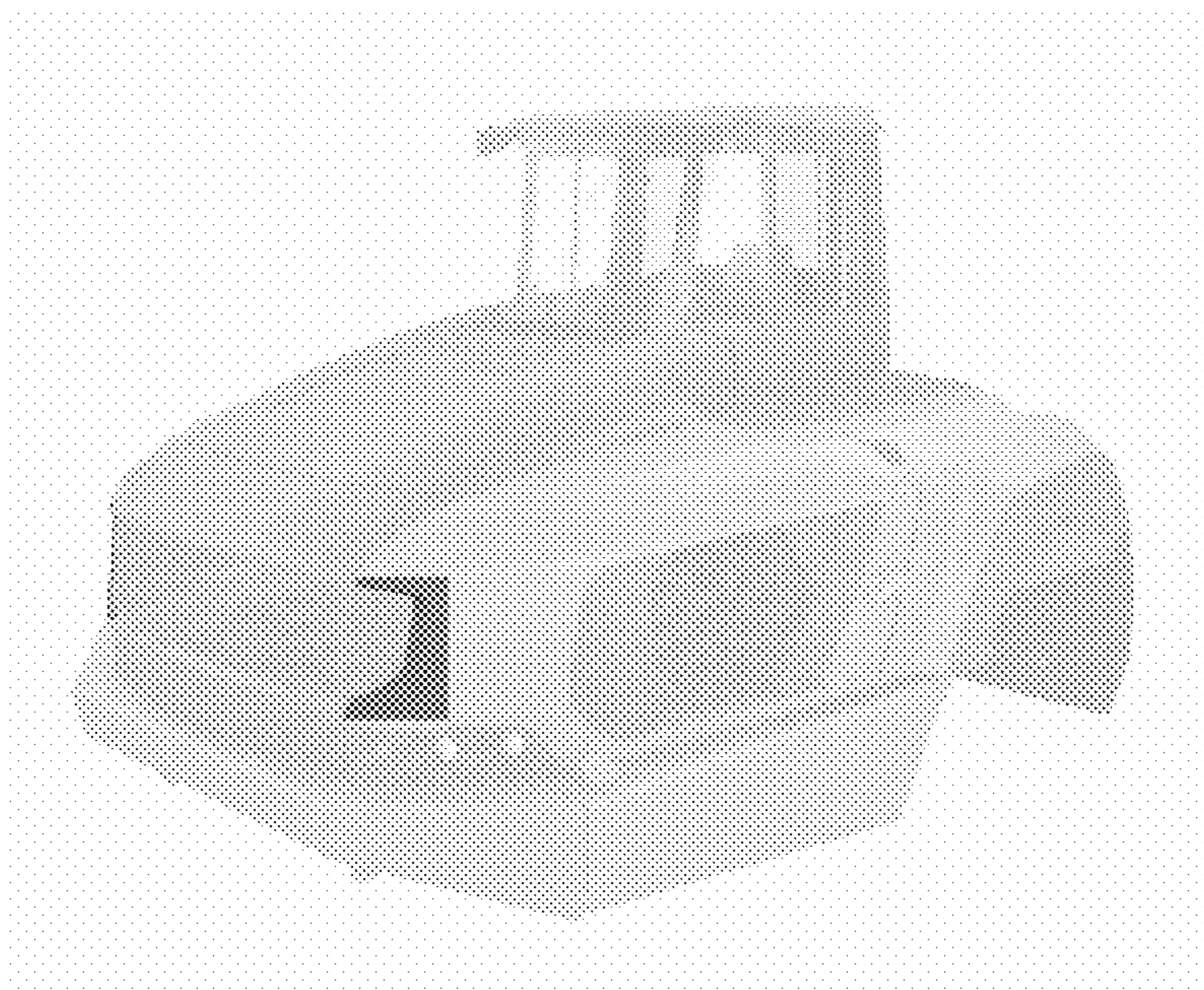
FIG. 2 is a front view thereof.

FIG. 3 is a left side view thereof; and,

FIG. 4 is a right side view thereof.

The de-emphasized portions shown in the drawings illustrate environmental structure for a vehicle that form no part of the claimed design.

1 Claim, 4 Drawing Sheets
(4 of 4 Drawing Sheet(s) Filed in Color)



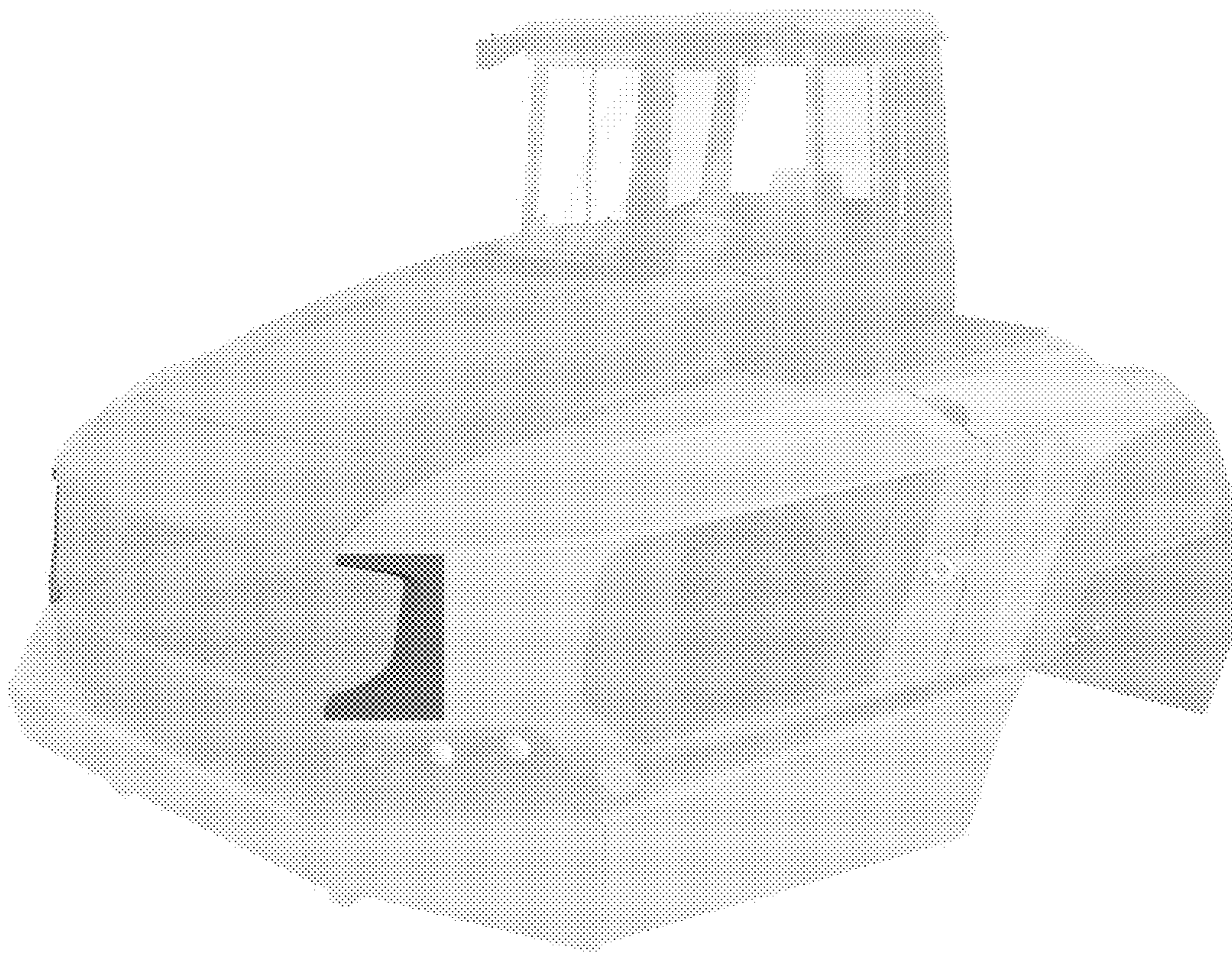


FIG. 1

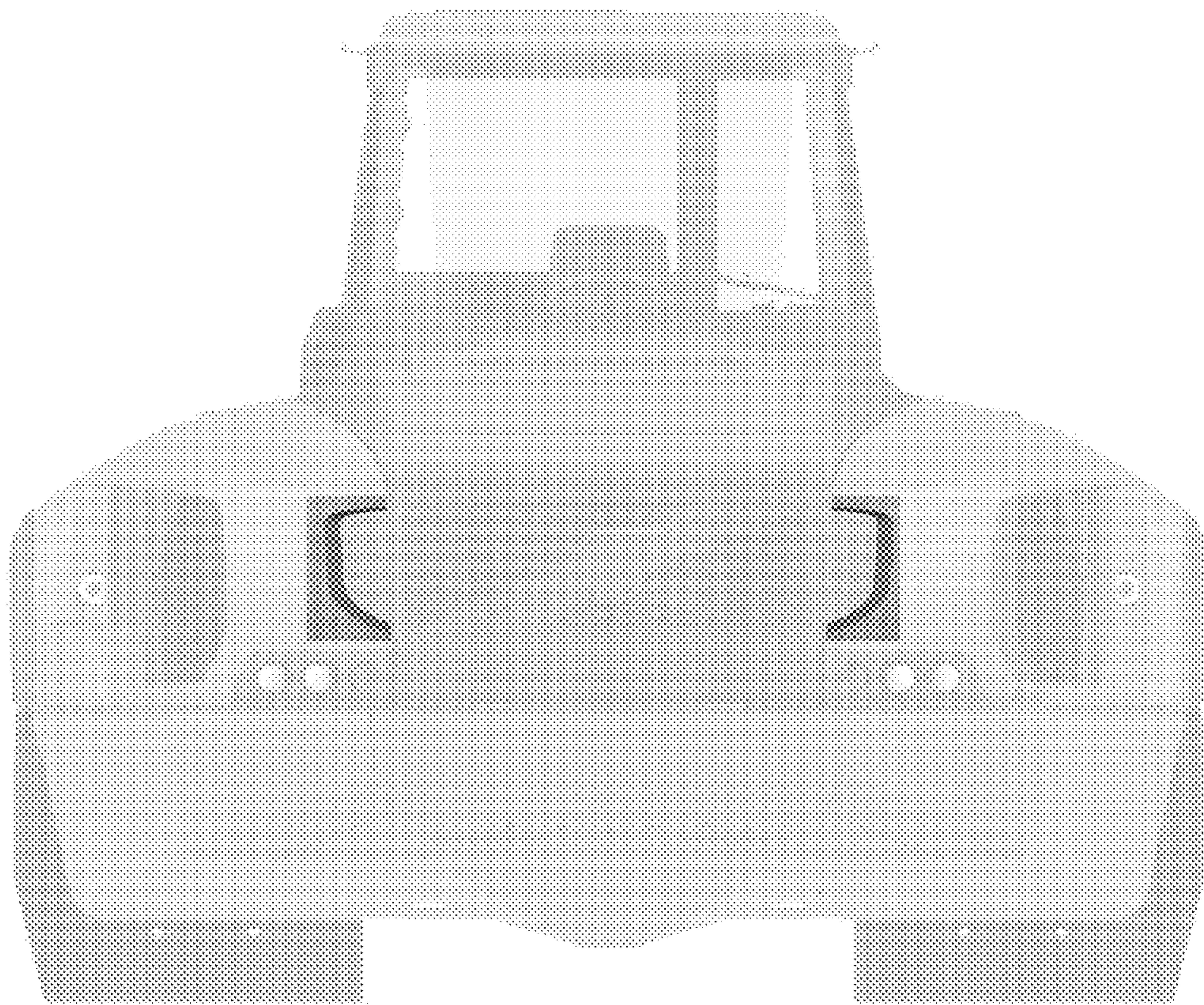


FIG. 2

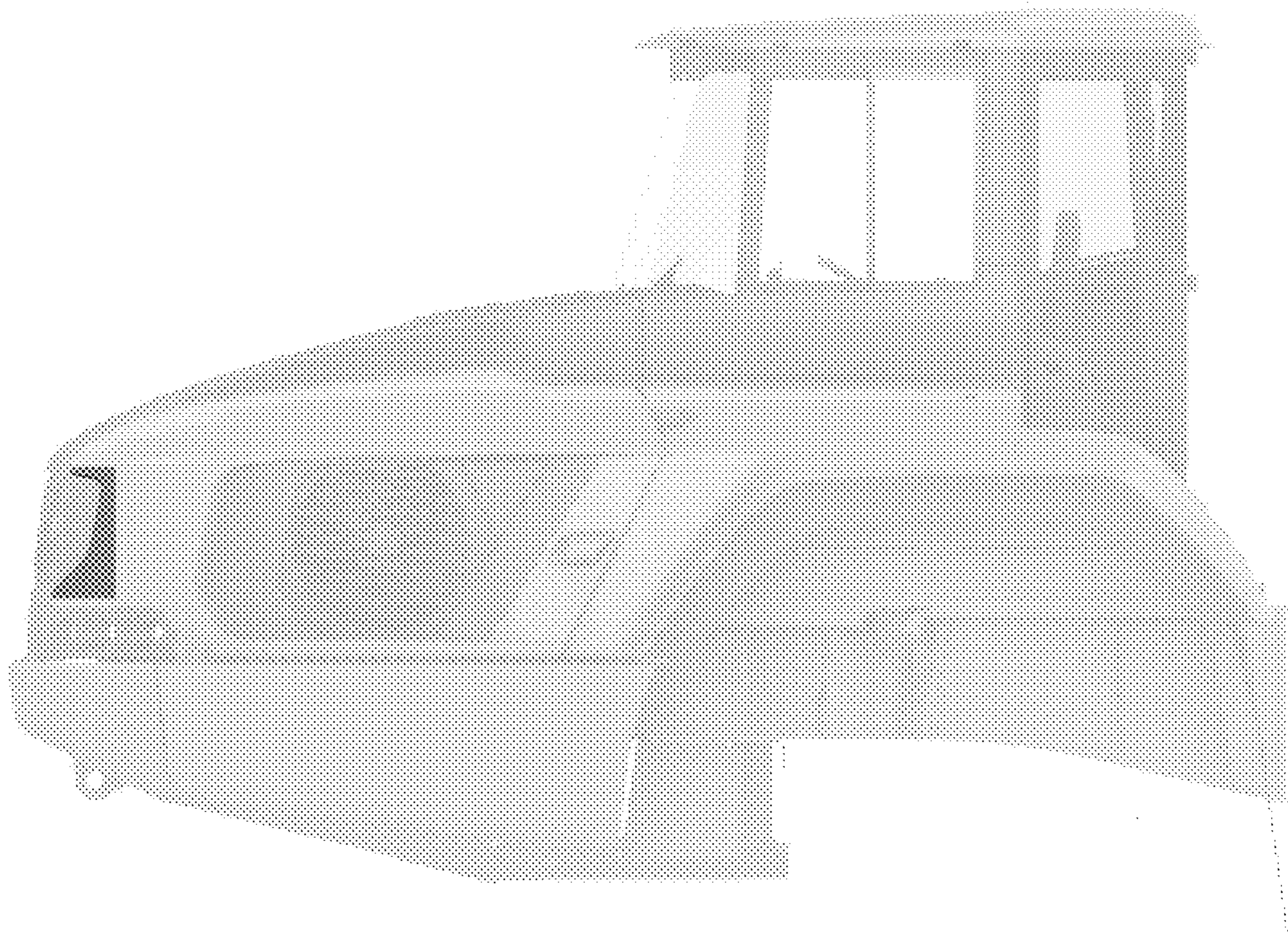


FIG. 3

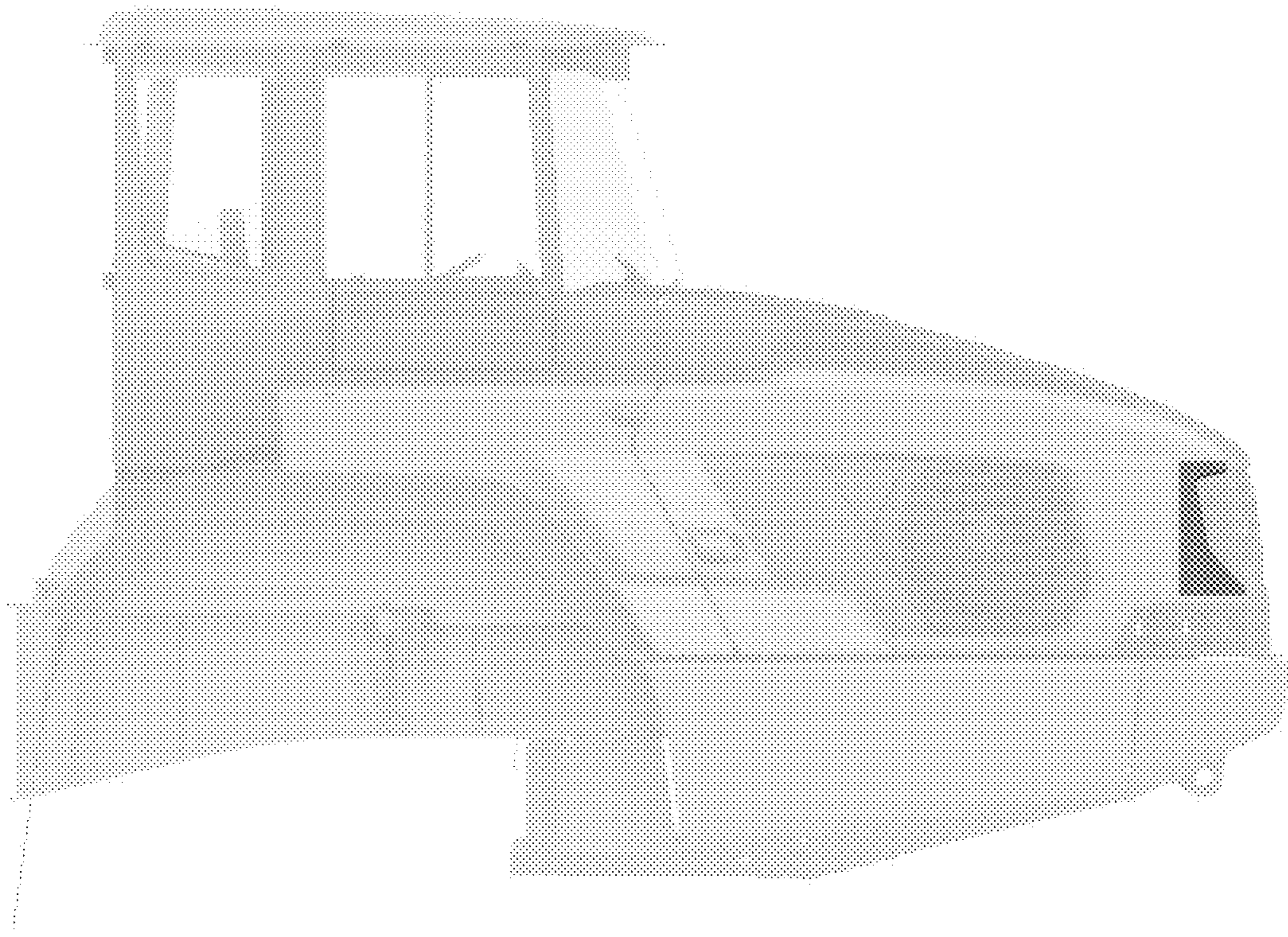


FIG. 4