



US00D816722S

(12) **United States Design Patent**  
**Sillanpää**

(10) **Patent No.:** **US D816,722 S**

(45) **Date of Patent:** **\*\* May 1, 2018**

(54) **CONTAINER**

(71) Applicant: **Amomatic Oy**, Paimio (FI)

(72) Inventor: **Jukka Sillanpää**, Sauvo (FI)

(73) Assignee: **Amomatic Oy**, Paimio (FI)

(\*\*) Term: **15 Years**

(21) Appl. No.: **29/581,758**

(22) Filed: **Oct. 21, 2016**

(51) **LOC (11) Cl.** ..... **15-03**

(52) **U.S. Cl.**  
USPC ..... **D15/23**

(58) **Field of Classification Search**  
USPC ..... D15/10, 19, 28, 33; 404/72, 79, 101,  
404/102, 108, 110, 119  
CPC ..... E01C 19/45; E01C 19/002; E01C 19/08;  
E01C 19/1063; E01C 19/463; E01C  
7/119  
See application file for complete search history.

5,687,881 A \* 11/1997 Rouse ..... B65D 77/061  
222/105

5,836,363 A \* 11/1998 LaFleur ..... B65D 90/046  
141/10

D476,999 S \* 7/2003 Truan ..... D15/28

D559,275 S \* 1/2008 Chahley ..... D15/13

D588,614 S \* 3/2009 Peterson ..... D15/27

D643,858 S \* 8/2011 Kopacz ..... D15/19

D668,692 S \* 10/2012 Noon ..... D15/28

D670,742 S \* 11/2012 Holmen ..... D15/17

D760,807 S \* 7/2016 Sutton ..... D15/10

D763,327 S \* 8/2016 Thompson ..... D15/28

D763,930 S \* 8/2016 Baber ..... D15/28

D764,895 S \* 8/2016 White ..... D15/28

D772,948 S \* 11/2016 Ewringmann ..... D15/19

D787,564 S \* 5/2017 Kinzenbaw ..... D15/27

9,701,466 B1 \* 7/2017 Horton ..... B65D 90/0033

2009/0272738 A1 \* 11/2009 Marcel ..... B65D 90/008  
220/1.5

2015/0259864 A1 \* 9/2015 Roy ..... E01C 19/1004  
404/77

2017/0081809 A1 \* 3/2017 Guymon ..... E01C 19/1013

\* cited by examiner

*Primary Examiner* — Mark Goodwin  
(74) *Attorney, Agent, or Firm* — Ziegler IP Law Group,  
LLC

(56) **References Cited**  
U.S. PATENT DOCUMENTS

3,721,226 A \* 3/1973 Childree ..... E01C 19/10  
105/451

D236,526 S \* 8/1975 Ulve ..... D15/28

4,002,147 A \* 1/1977 Feterl ..... A01D 87/122  
119/60

4,657,431 A \* 4/1987 Morrison ..... E01C 19/202  
222/238

D314,578 S \* 2/1991 Morrison ..... D15/13

D322,972 S \* 1/1992 St. Ama ..... D15/19

D322,973 S \* 1/1992 St. Ama ..... D15/19

D324,688 S \* 3/1992 St. Ama ..... D15/19

5,468,113 A \* 11/1995 Davis ..... B60P 1/40  
198/550.1

5,501,403 A \* 3/1996 van Vooren ..... E01H 10/007  
239/662

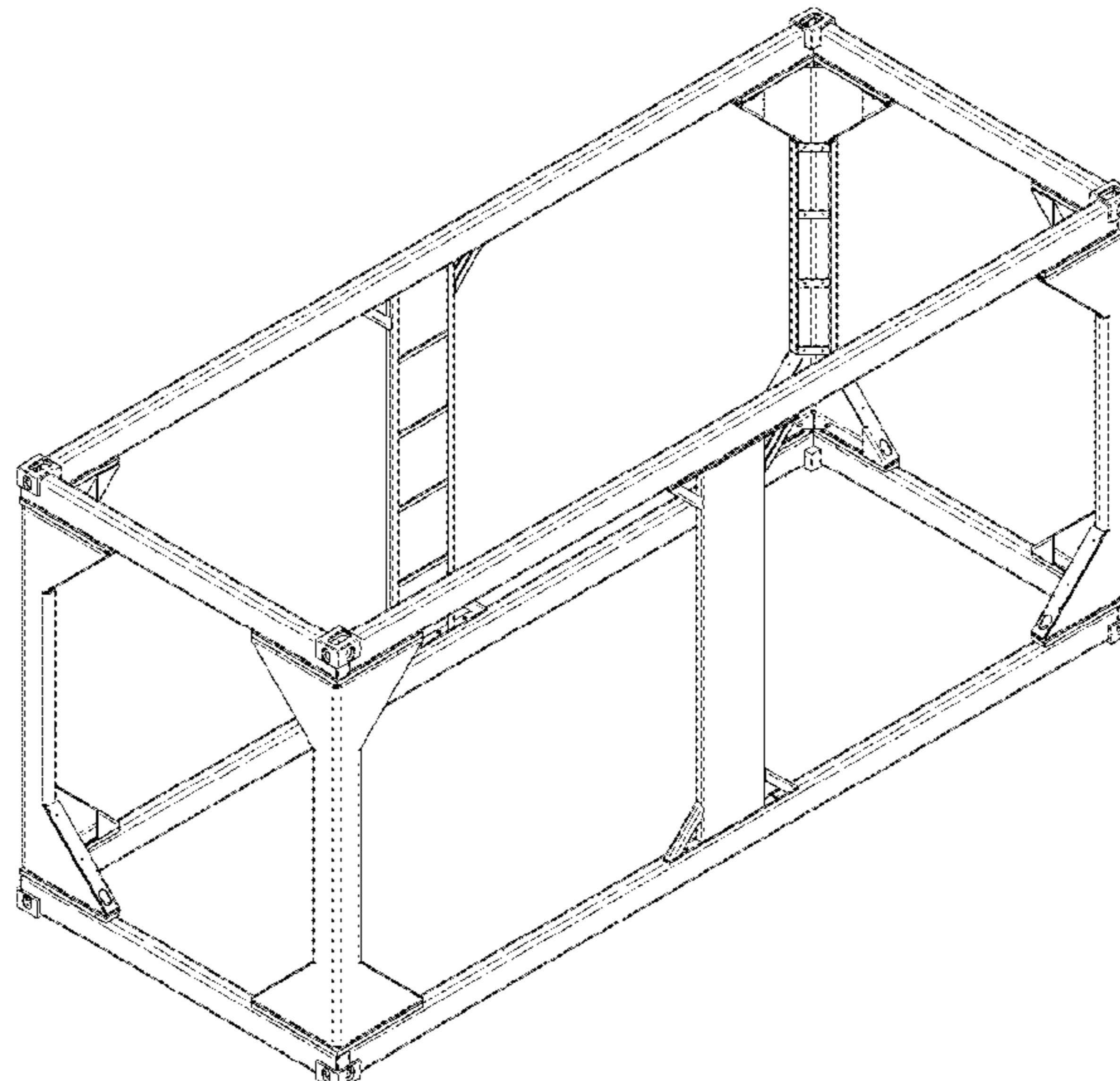
(57) **CLAIM**

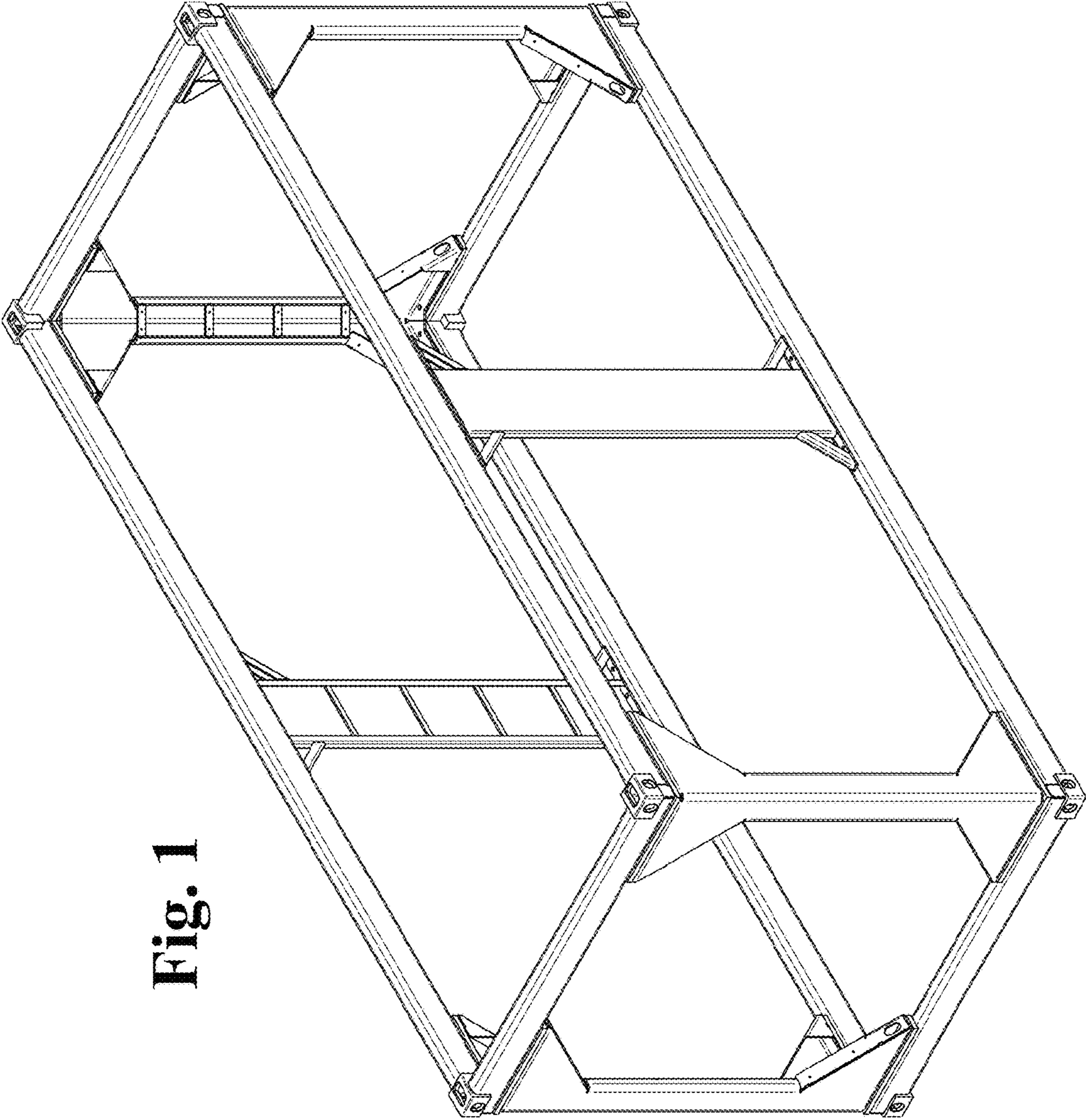
The ornamental design for a container, as shown and described.

**DESCRIPTION**

FIG. 1 is an isometric view of a container showing my new design;  
FIG. 2 an enlarged front view of FIG. 1;  
FIG. 3 an enlarged back view of FIG. 1;  
FIG. 4 an enlarged left side view of FIG. 1;  
FIG. 5 an enlarged right side view of FIG. 1;  
FIG. 6 is a reduced top view of FIG. 1; and,  
FIG. 7 is a reduced bottom view of FIG. 1.

**1 Claim, 7 Drawing Sheets**





**Fig. 1**

Fig. 2

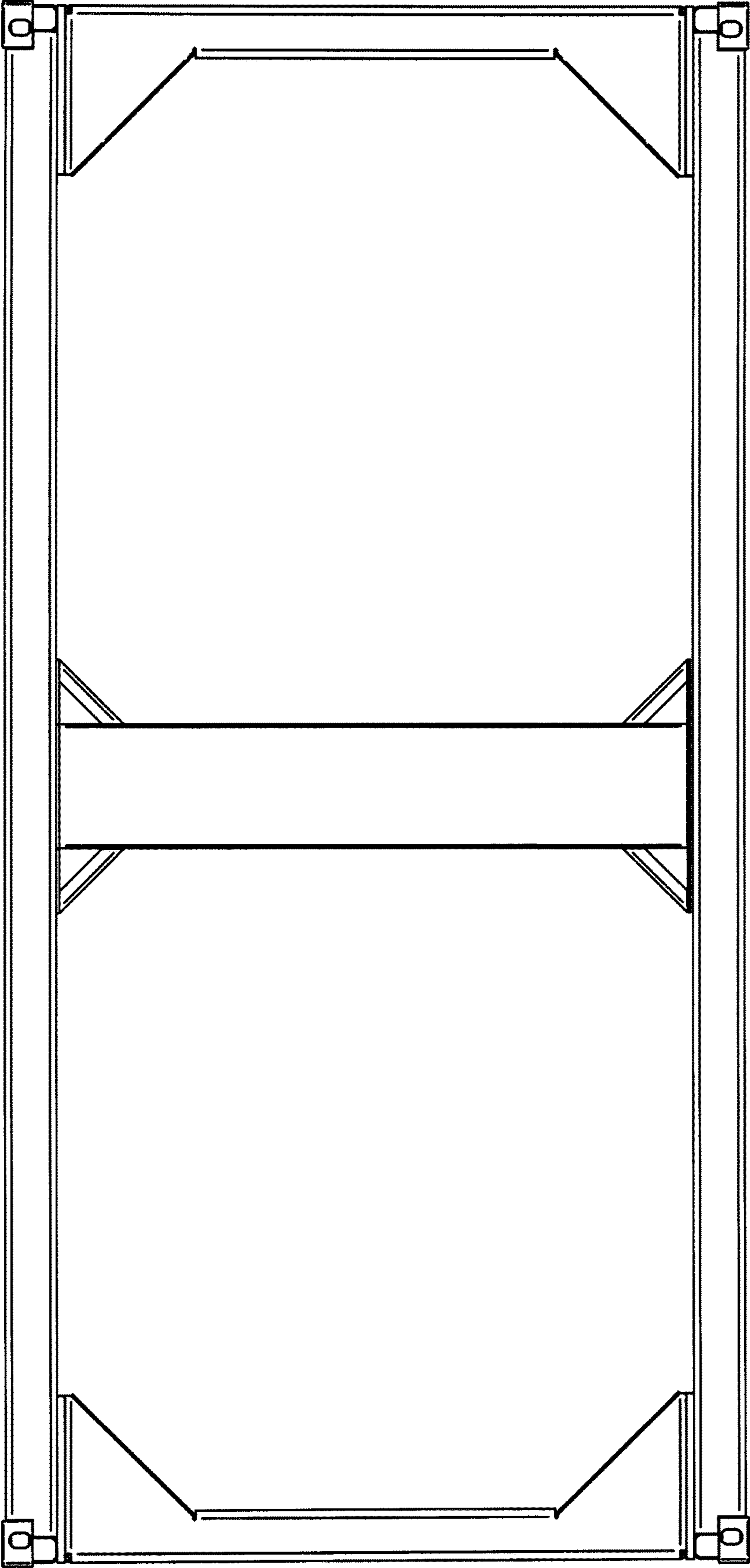
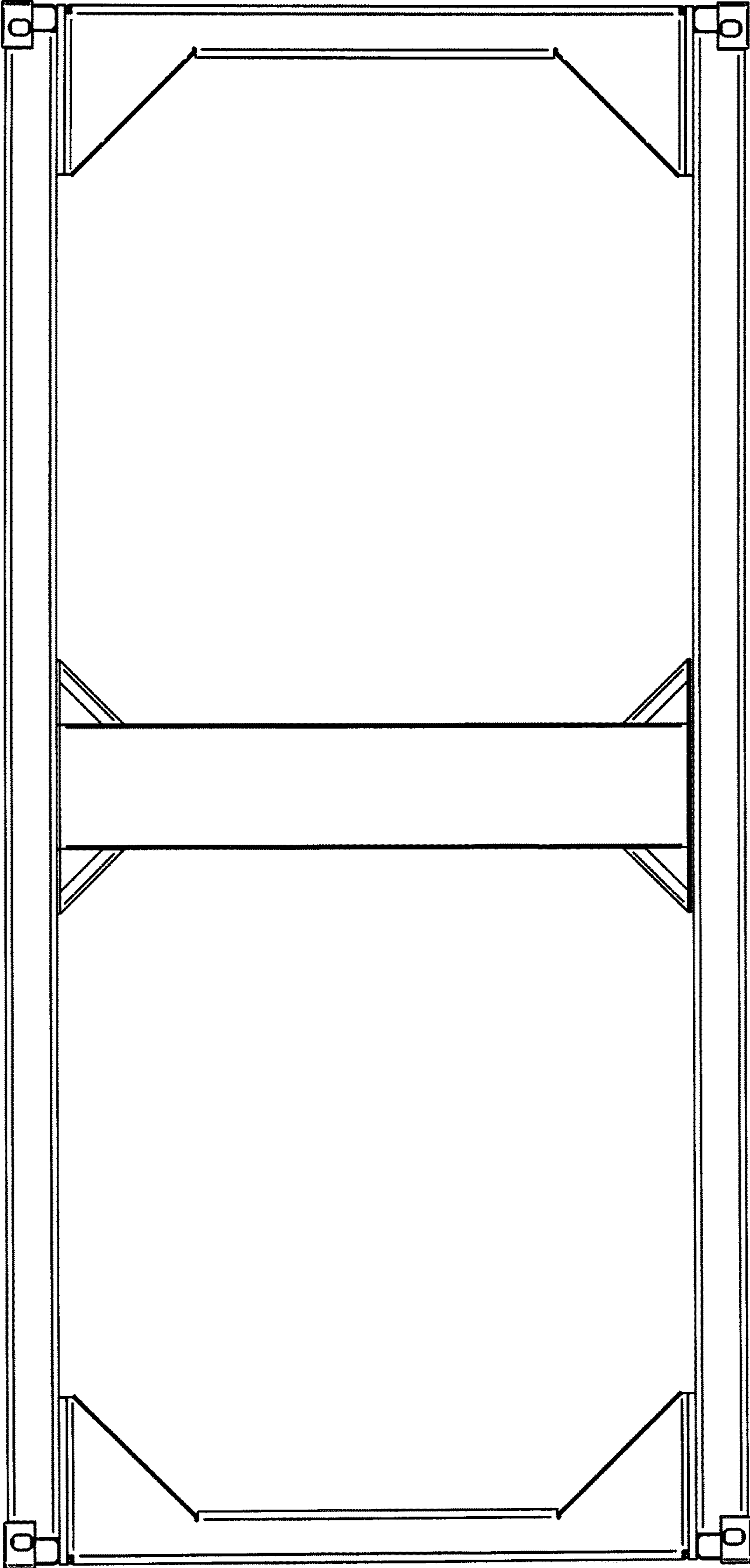


Fig. 3



**Fig. 4**

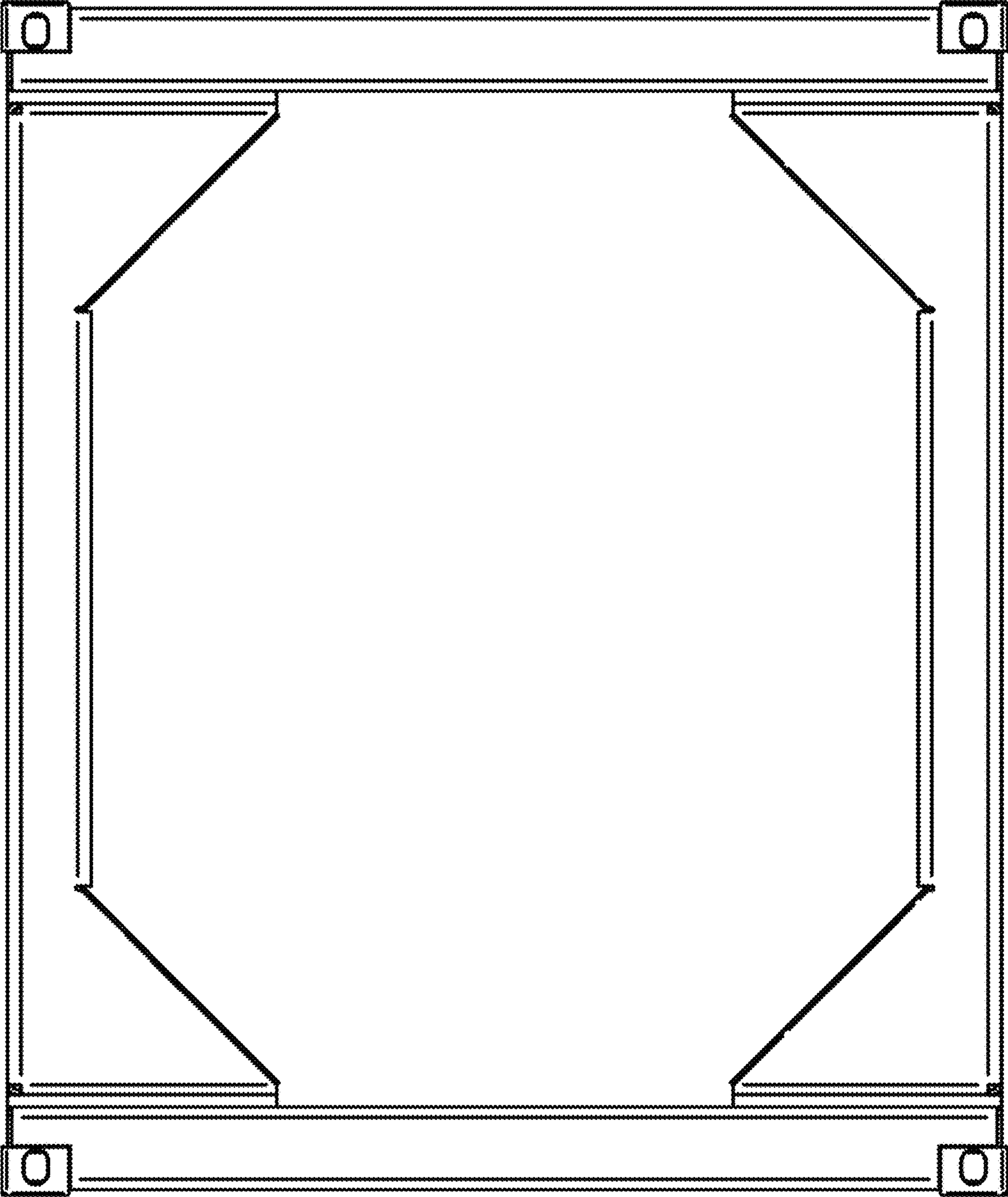


Fig. 5

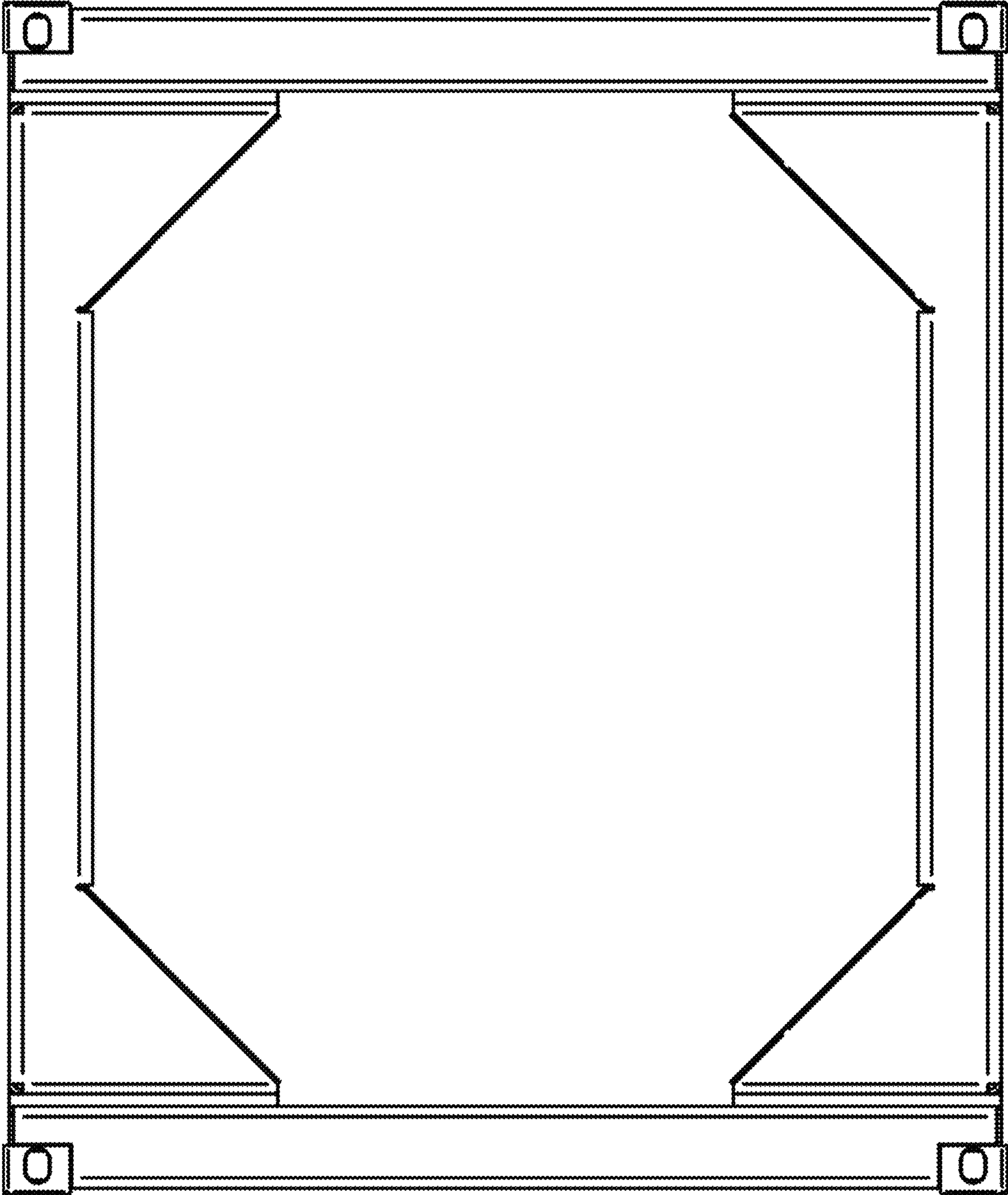


Fig. 6

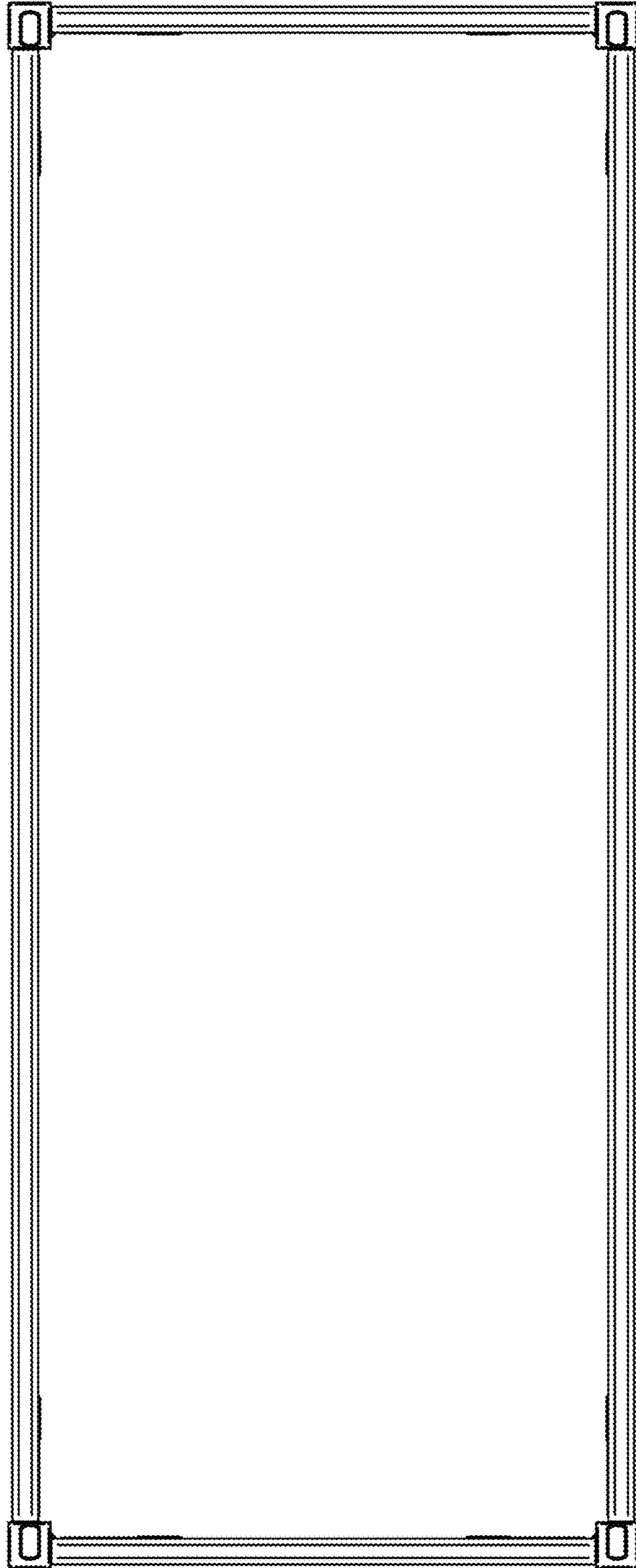


Fig. 7

