



US00D816719S

(12) **United States Design Patent** (10) **Patent No.:** **US D816,719 S**  
**Mish et al.** (45) **Date of Patent:** **\*\* May 1, 2018**

(54) **SEALING ELEMENT FOR RECIPROCATING GAS COMPRESSOR VALVE**

3,332,437 A 7/1967 Hallen  
3,536,094 A \* 10/1970 Manley, Jr. .... F04B 39/1033  
137/512.1

(71) Applicant: **Delaware Capital Formation, Inc.**,  
Wilmington, DE (US)

3,701,361 A 10/1972 Bunn et al.  
3,913,615 A 10/1975 Cooper et al.  
(Continued)

(72) Inventors: **Stephen A. Mish**, Wellington, FL (US);  
**Swapnil S. Khaire**, Knoxville, TN  
(US); **Fred Matthew Schweinberg, Jr.**,  
Knoxville, TN (US)

**OTHER PUBLICATIONS**

Office of the Controller General of Patents, Designs & Trademarks  
(India), Examination Report, Indian Design Application No. 293059  
(2 pages).

(73) Assignee: **DELAWARE CAPITAL FORMATION, INC.**, Wilmington, DE  
(US)

(Continued)

(\*\*) Term: **15 Years**

*Primary Examiner* — Cynthia Ramirez  
*Assistant Examiner* — Gino Colan  
(74) *Attorney, Agent, or Firm* — Nielsen IP Law LLC

(21) Appl. No.: **29/582,055**

(57) **CLAIM**

(22) Filed: **Oct. 25, 2016**

We claim the ornamental design for a sealing element for a reciprocating gas compressor valve, as shown and described.

(51) **LOC (11) Cl.** ..... **15-02**

(52) **U.S. Cl.**  
USPC ..... **D15/9**

**DESCRIPTION**

(58) **Field of Classification Search**  
USPC ..... D23/233, 235, 241, 247, 248, 249;  
123/90.15, 188.5, 190.14, 445, 200,  
123/90.17, 193.4; 417/273, 411, 564;  
D15/5, 9, 9.1, 9.2, 9.3; 29/888.012,  
29/890.124, 890.126; 92/187, 208;  
137/512.1, 516.11, 327, 329.04, 516.23  
CPC ..... F04B 39/1033; F04B 39/1053  
See application file for complete search history.

FIG. 1 is an overall perspective view of a sealing element for reciprocating gas compressor valve showing our new design, in condition of use;  
FIG. 2 is an overall exploded view of the sealing element for reciprocating gas compressor valve;  
FIG. 3 is an overall top view thereof, in condition of use;  
FIG. 4 is a cross sectional view of FIG. 3 showing the sealing element for reciprocating gas compressor valve;  
FIG. 5 is a top perspective view thereof;  
FIG. 6 is a side elevational view thereof;  
FIG. 7 is a top view thereof;  
FIG. 8 is a bottom view thereof; and,  
FIG. 9 is a cross-sectional view thereof.

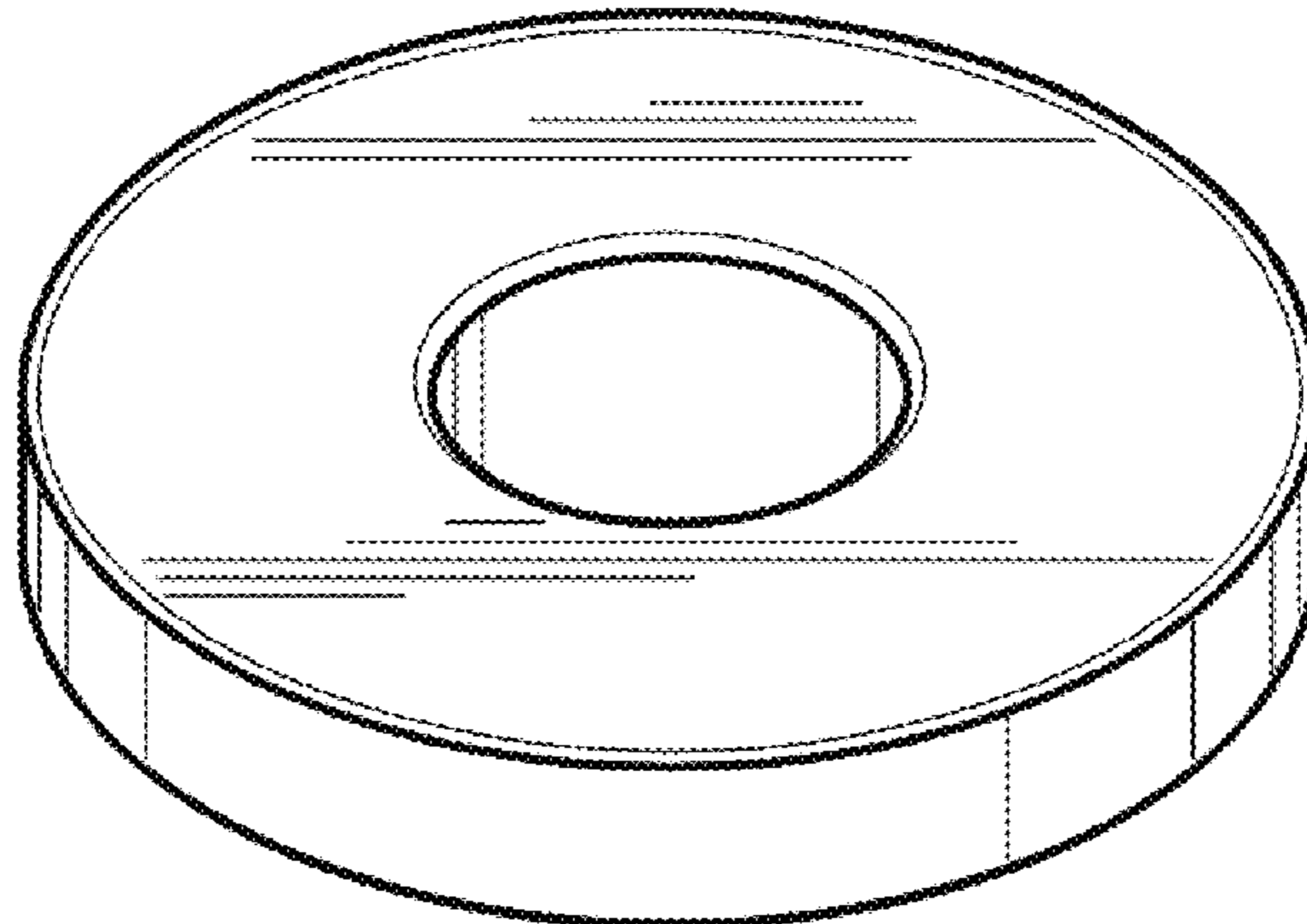
(56) **References Cited**

**U.S. PATENT DOCUMENTS**

1,717,856 A 6/1929 Smith  
2,624,587 A 1/1953 Watson et al.  
2,904,065 A 9/1959 Butlin  
3,148,697 A \* 9/1964 Carr ..... F04B 39/1006  
137/327  
3,244,195 A 4/1966 Wanner

The broken lines in the drawings are included of the purpose of illustrating environment and form no part of the claimed design.

**1 Claim, 5 Drawing Sheets**



(56)

**References Cited**

U.S. PATENT DOCUMENTS

4,130,131 A \* 12/1978 Kucenty ..... F04B 39/106  
137/512.1  
4,483,363 A \* 11/1984 Madoche ..... F04B 39/1033  
137/329.04  
4,819,689 A 4/1989 Owsley et al.  
4,872,481 A 10/1989 Shaw et al.  
5,511,583 A 4/1996 Bassett  
5,678,603 A \* 10/1997 Tschop ..... F04B 39/1033  
137/512.1  
6,234,194 B1 5/2001 Janek et al.  
6,581,632 B2 6/2003 Walpole et al.  
D745,637 S \* 12/2015 Penkkimaki ..... D23/233  
9,309,878 B2 \* 4/2016 Columpsi ..... F16K 15/026  
2001/0029981 A1 \* 10/2001 Penza ..... F04B 39/1033  
137/516.23  
2002/0144733 A1 \* 10/2002 Artner ..... F04B 39/1053  
137/512.1

OTHER PUBLICATIONS

Response to Examination Report dated Jul. 27, 2017, Indian Design Application No. 293059. (2 pages).

Russian Office Action, dated Dec. 18, 2017, Application No. 2017501784/49, 15 pages.

Translation of Russian Office Action, dated Dec. 18, 2017, Application No. 2017501784/49, 2 pages.

\* cited by examiner

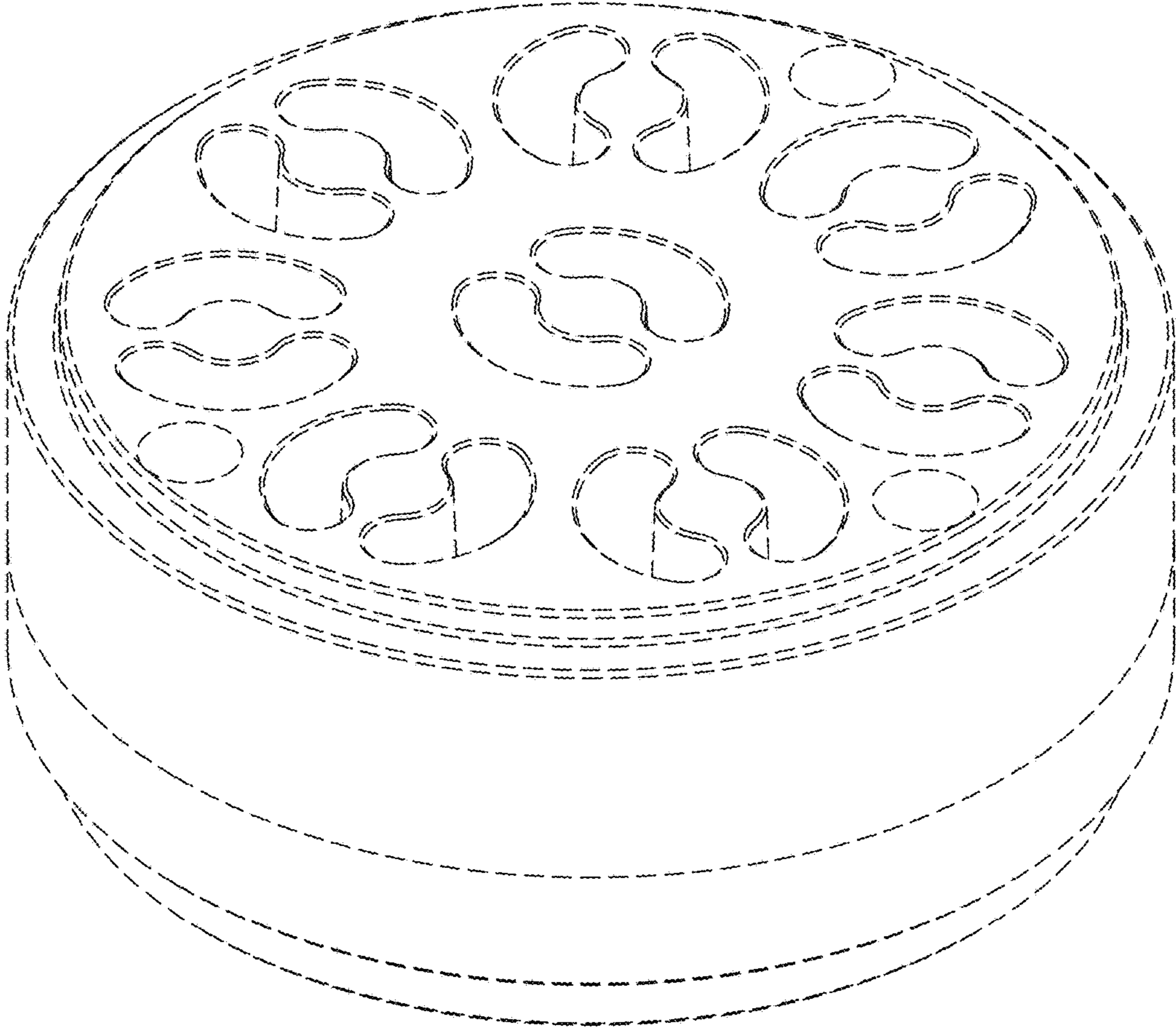
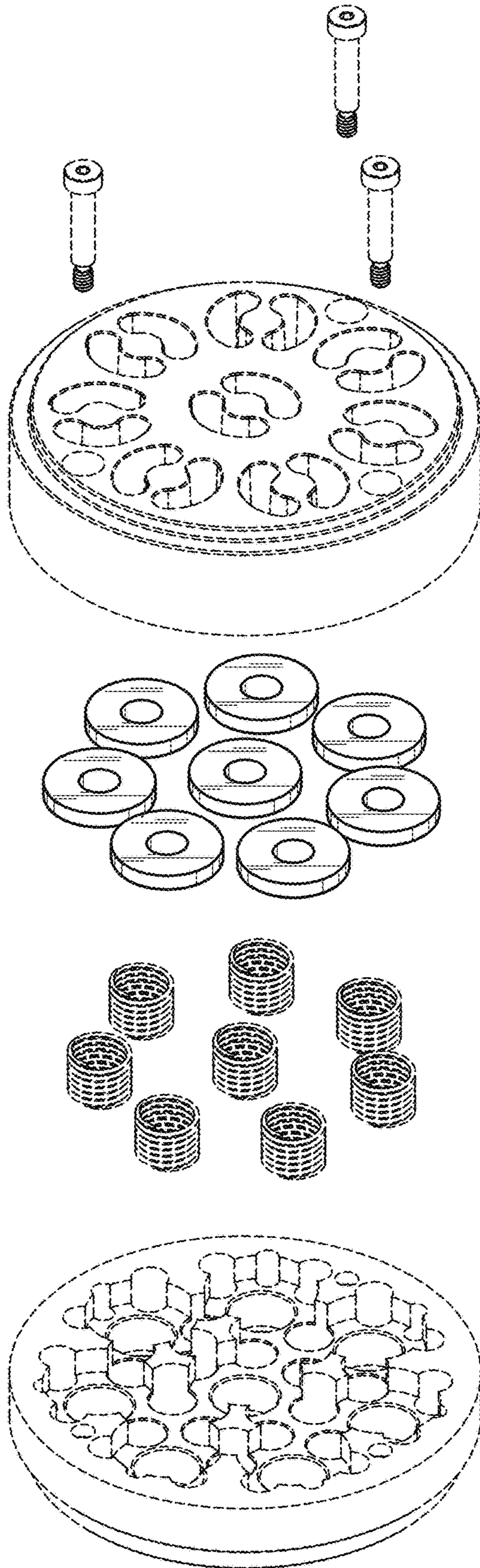
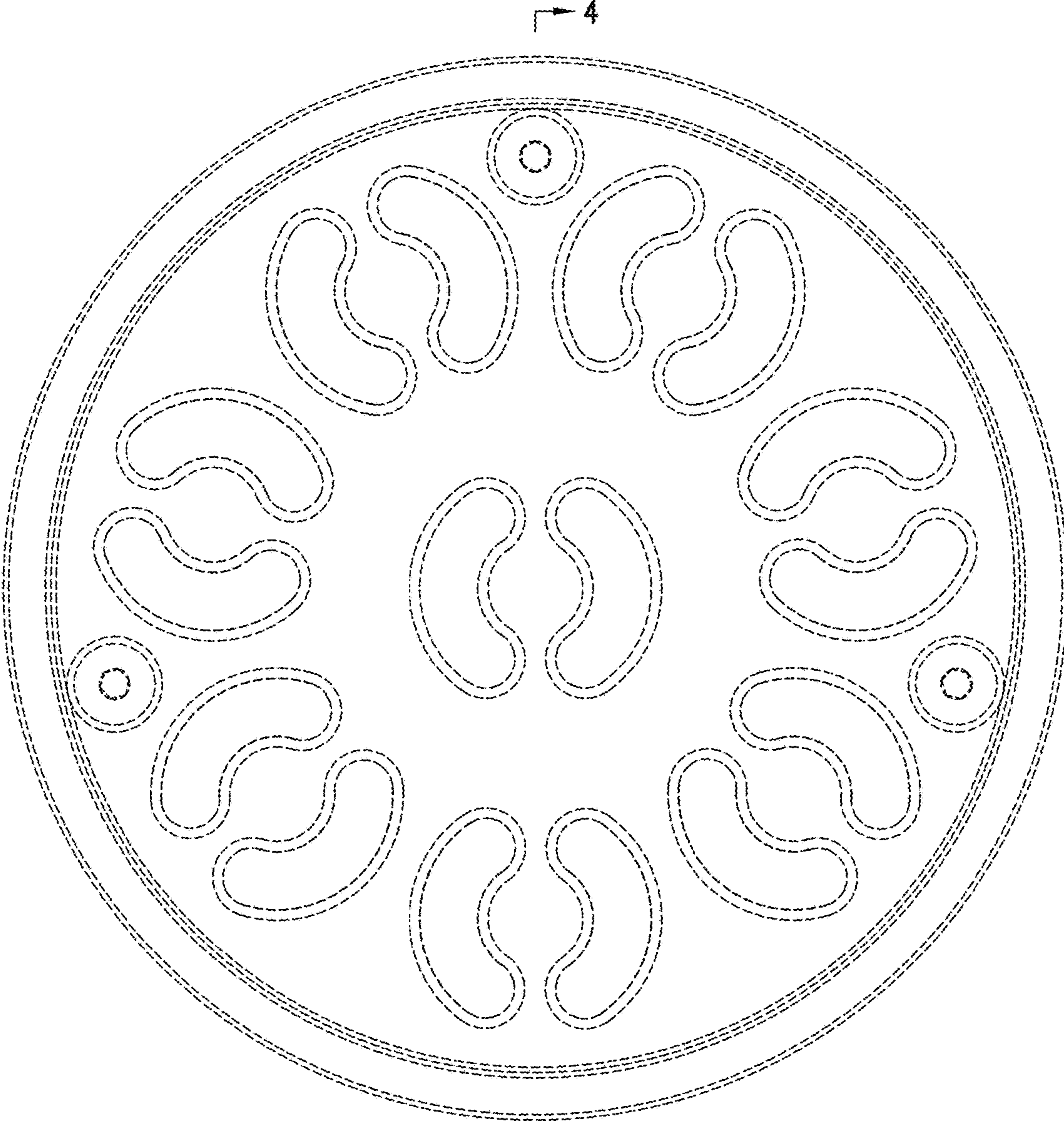


FIG. 1



FIG. 2





4

4

FIG. 3

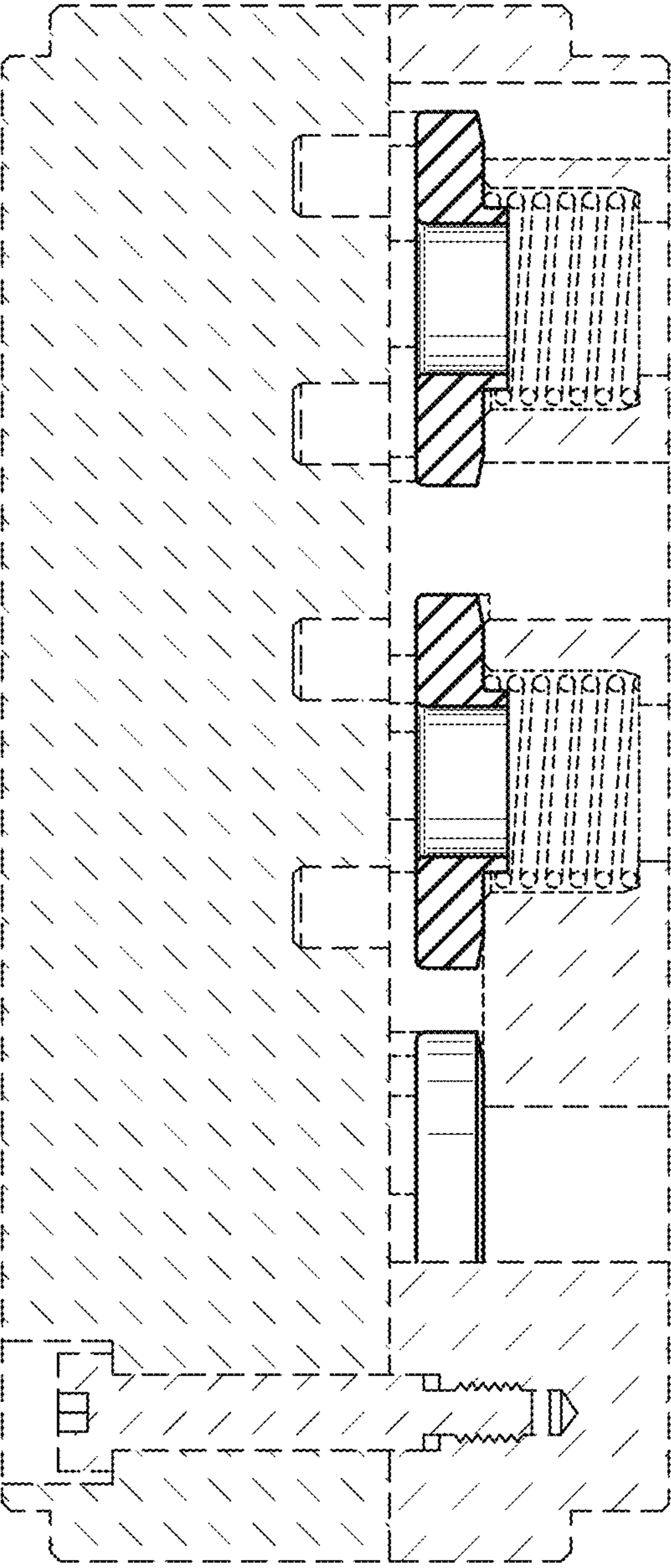


FIG. 4

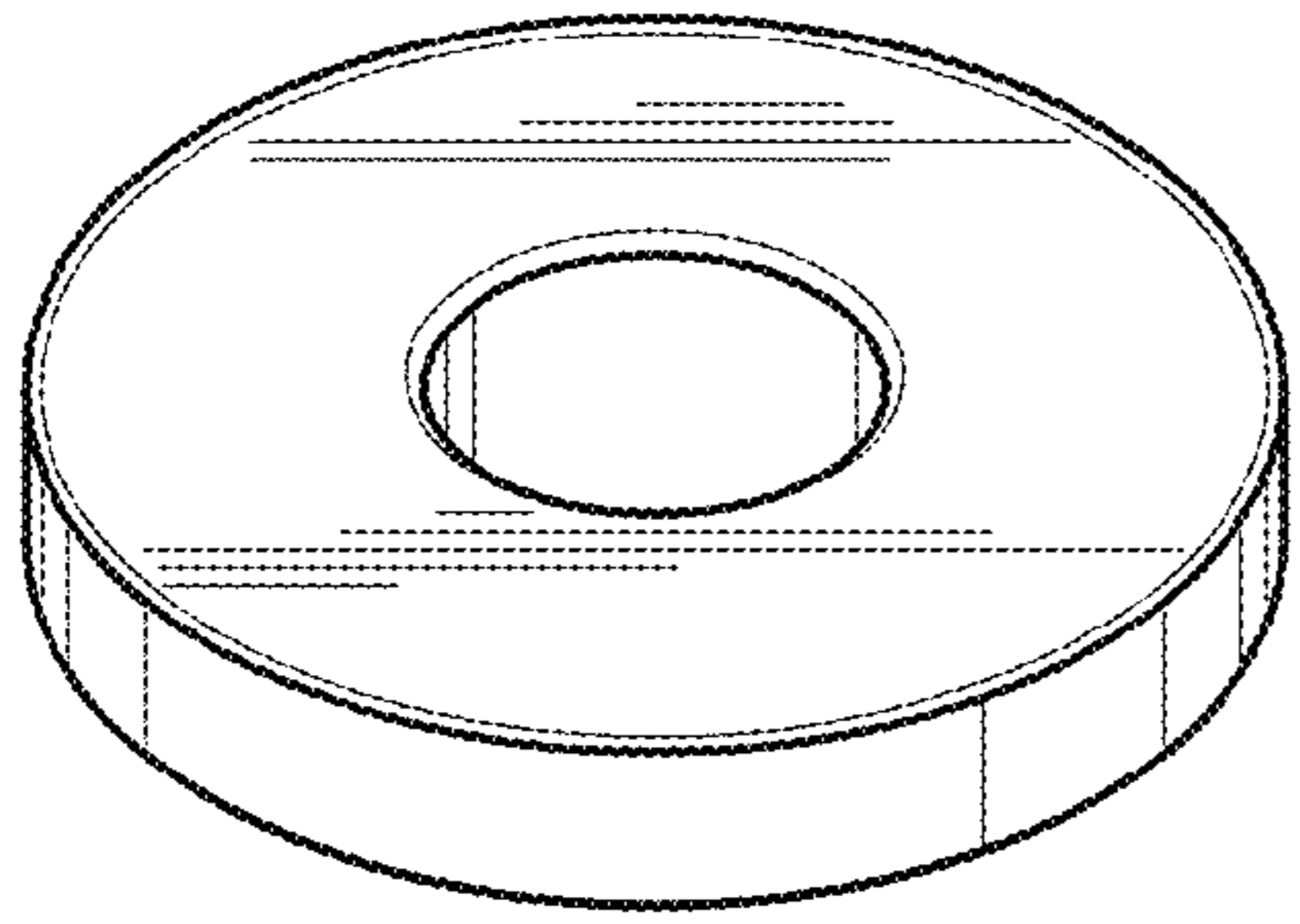


FIG. 5

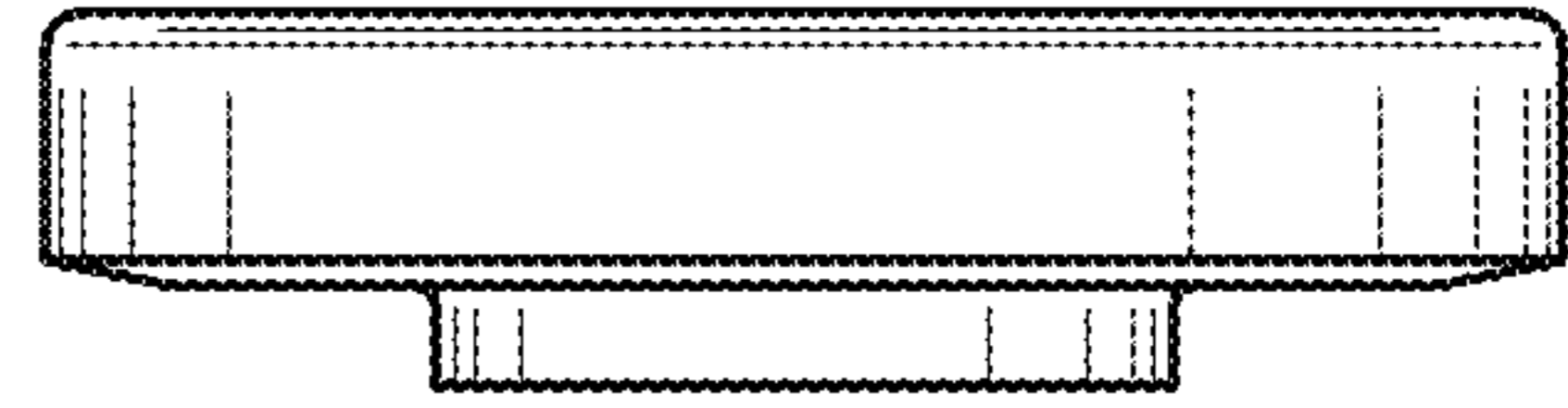


FIG. 6

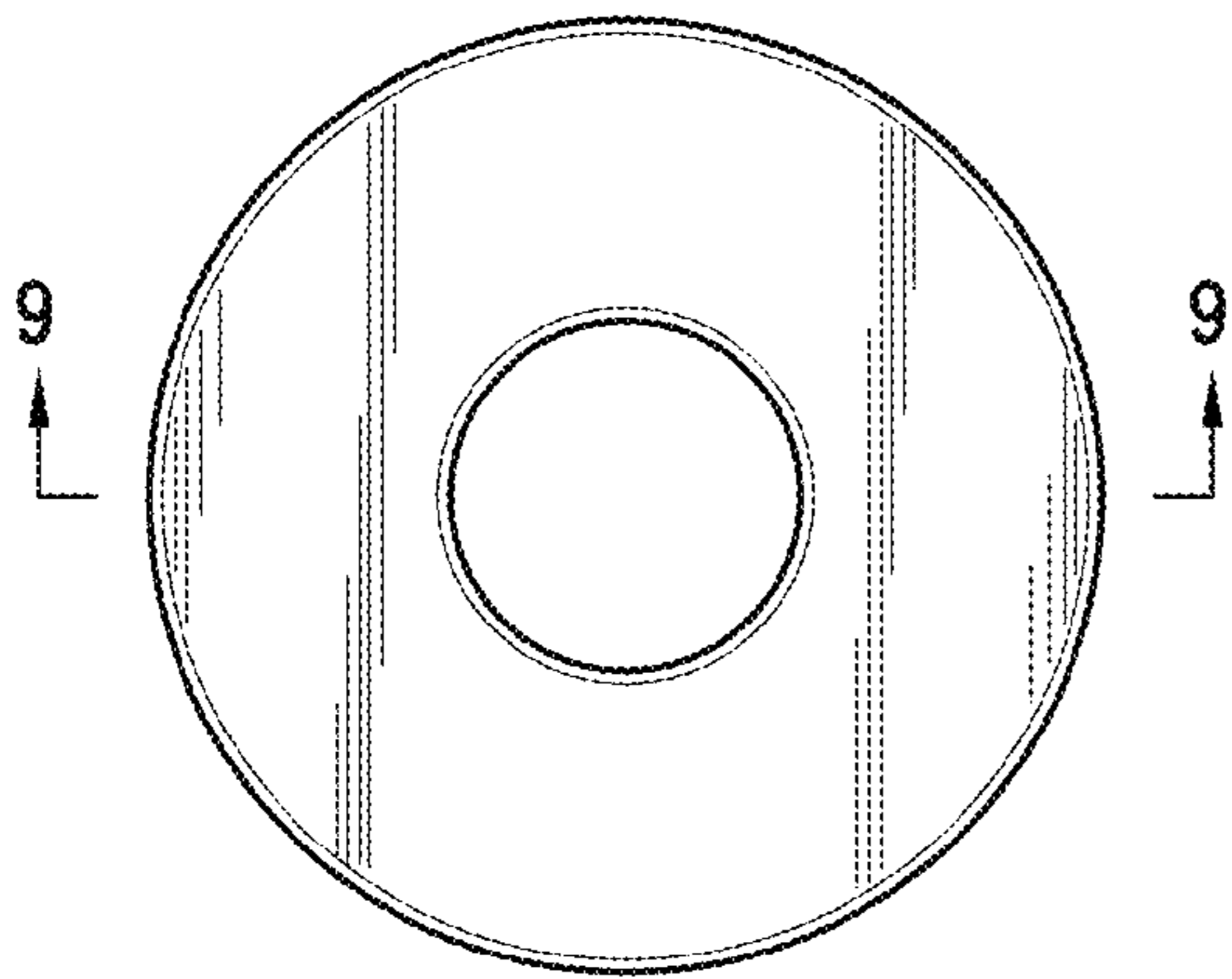


FIG. 7

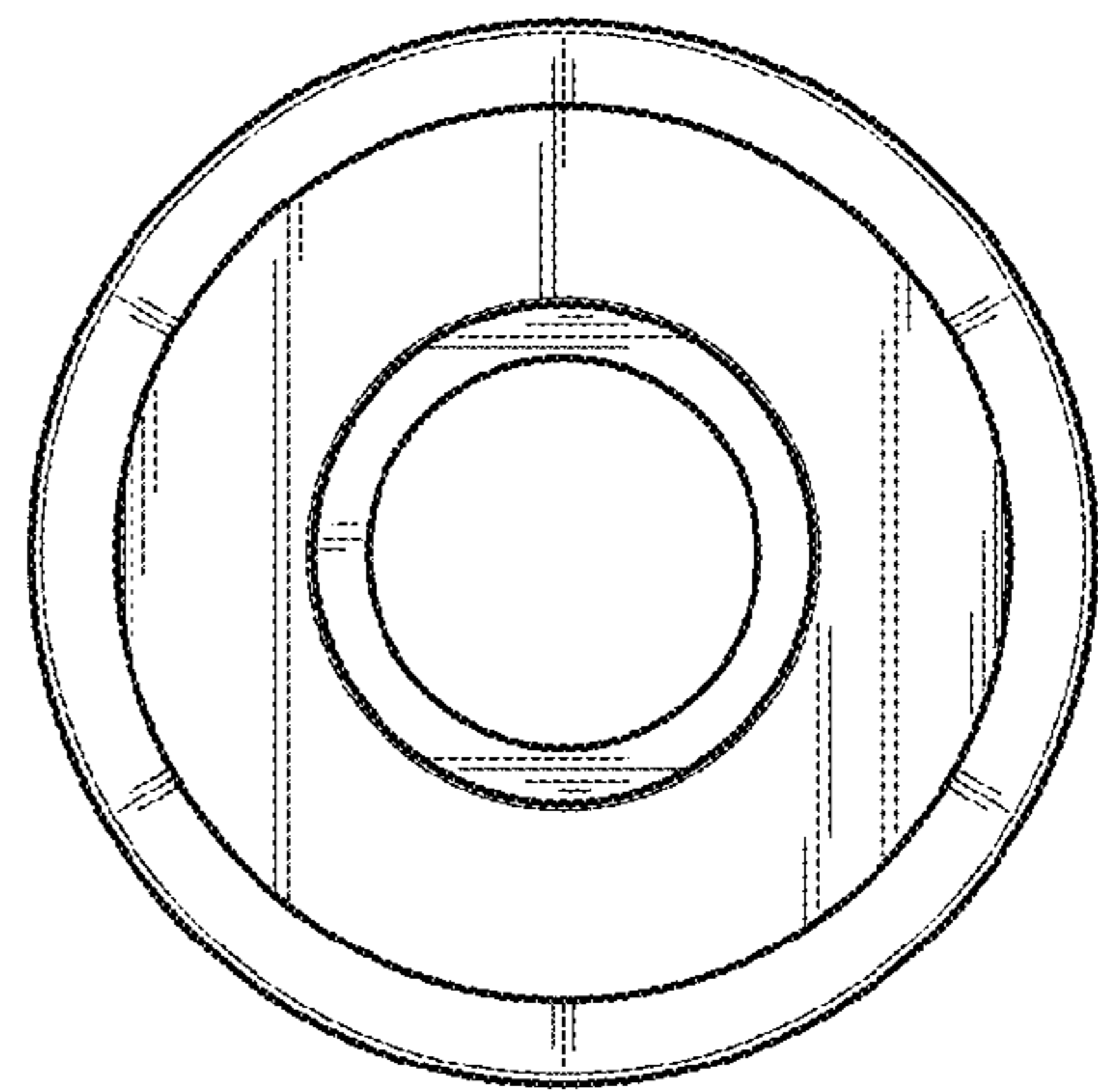


FIG. 8

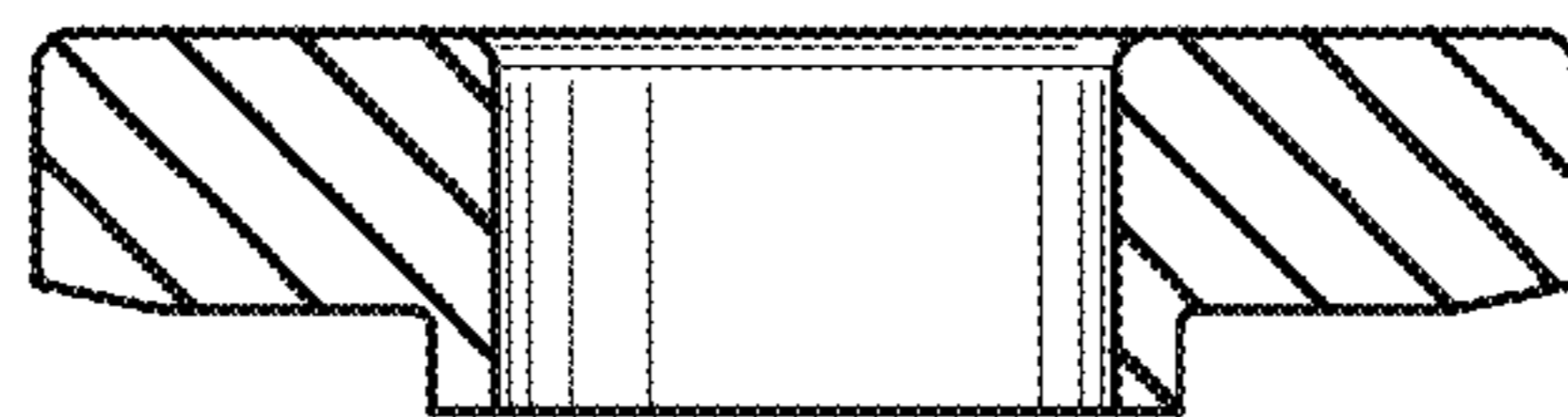


FIG. 9