



US00D816717S

(12) **United States Design Patent** (10) **Patent No.:** **US D816,717 S**  
**Kulkarni et al.** (45) **Date of Patent:** **\*\* May 1, 2018**

(54) **SUPERCHARGER HOUSING** 5,083,907 A 1/1992 Brownell  
5,090,879 A 2/1992 Weinbrecht  
(71) Applicant: **Eaton Corporation**, Cleveland, OH (US) 5,118,268 A \* 6/1992 Crisenbery ..... F04C 29/12  
418/189  
5,127,386 A 7/1992 Kim  
(72) Inventors: **Gopal Kishanrao Kulkarni**, Pune (IN); 5,439,358 A 8/1995 Weinbrecht  
**Kartikeya Krishnoji Mahalatkar**, Pune (IN); **Matthew Gareld Swartzlander**, Battle Creek, MI (US) 5,527,168 A \* 6/1996 Juday ..... F01C 21/10  
418/201.1  
(Continued)

(\*\*) Term: **14 Years**

(21) Appl. No.: **29/499,660**

(22) Filed: **Aug. 18, 2014**

(51) **LOC (11) Cl.** ..... **15-01**

(52) **U.S. Cl.**  
USPC ..... **D15/5**

(58) **Field of Classification Search**  
USPC ..... D15/1-5; 123/559.1; 29/888.02;  
418/178, 179, 1, 206.5; 415/9, 173.4,  
415/174.4; 464/127, 72, 74, 75  
CPC ..... F16D 2500/1068; F16D 3/70; F16D 3/64;  
F16D 3/68; F16D 3/78; F02B 39/12;  
F02B 39/04; F02B 37/04; F02B 33/38;  
F04C 29/122; F04C 27/005; F04C 18/126  
See application file for complete search history.

(56) **References Cited**

**U.S. PATENT DOCUMENTS**

2,489,887 A	11/1949	Houghton
2,906,448 A	9/1959	Lorenz
3,531,227 A	9/1970	Weatherston
3,575,535 A	4/1971	Bickar
4,062,199 A	12/1977	Kasahara et al.
4,553,911 A	11/1985	Pillis
4,569,646 A	2/1986	Soeters, Jr.
4,768,934 A	9/1988	Mahalatkar et al.
4,859,158 A	8/1989	Weinbrecht
4,995,347 A	2/1991	Tate et al.
4,995,796 A	2/1991	Kambe et al.
5,078,583 A	1/1992	Hampton et al.

**FOREIGN PATENT DOCUMENTS**

DE	2027272 A1	12/1971
EP	0225070 A1	6/1987

(Continued)

**OTHER PUBLICATIONS**

2.6.1 Design / Operating principle, Roots vacuum pumps, Pfeiffer Vacuum, <http://www.pfeiffer-vacuum.com/know-how/vacuum-generation/roots-vacuum-pumps/technology.action?chapter=tec2.6>, downloaded Aug. 18, 2014, pp. 1-5.

(Continued)

*Primary Examiner* — T. Chase Nelson  
*Assistant Examiner* — Ania Aman  
(74) *Attorney, Agent, or Firm* — Mei & Mark, LLP

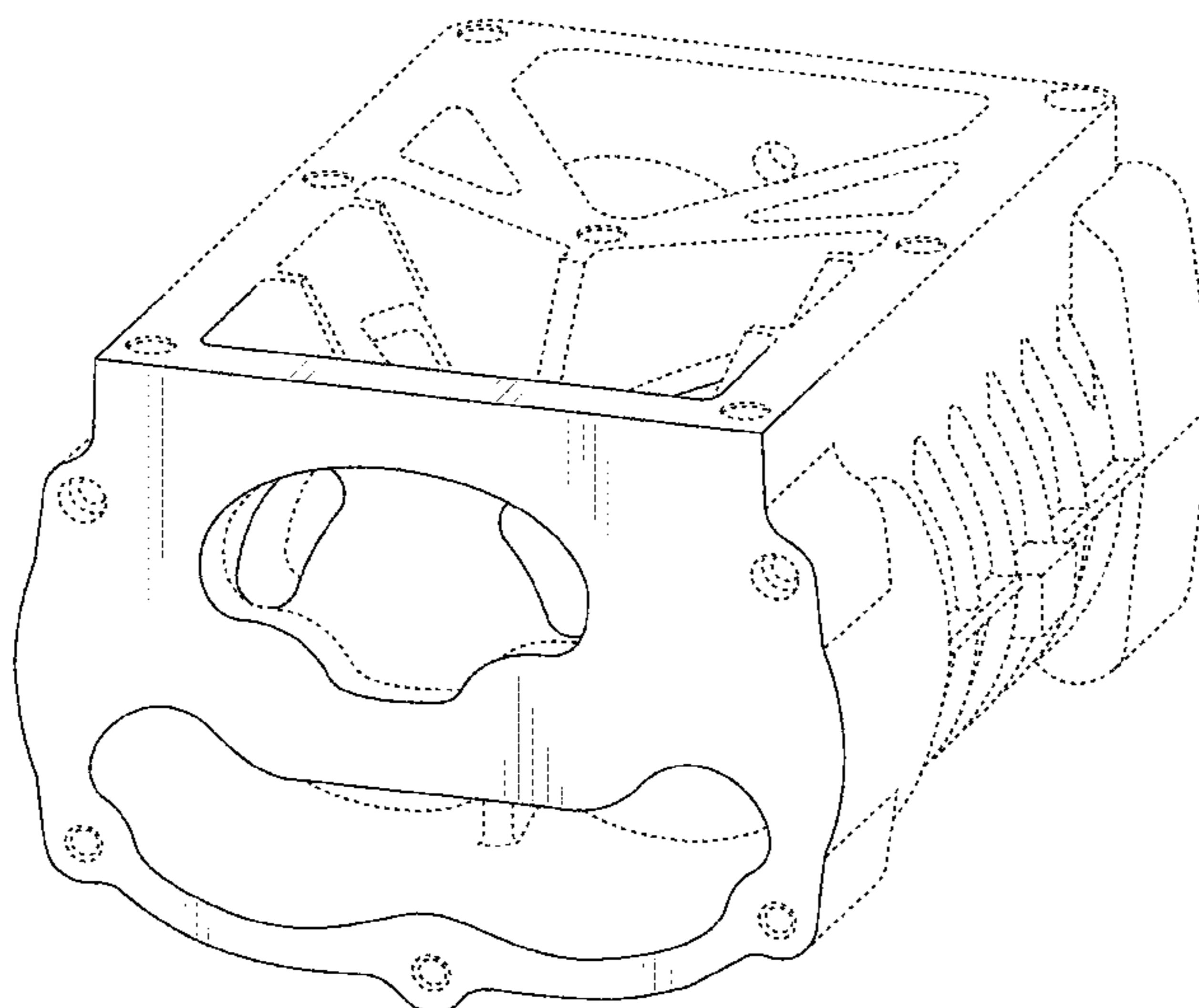
(57) **CLAIM**

The ornamental design for a supercharger housing, as shown and described.

**DESCRIPTION**

FIG. 1 is a perspective view of a supercharger housing.  
FIG. 2 is a bottom view of the supercharger housing.  
FIG. 3 is a top view of the supercharger housing.  
FIG. 4 is a left side view of the supercharger housing.  
FIG. 5 is a right side view of the supercharger housing.  
FIG. 6 is a back view of the supercharger housing; and,  
FIG. 7 is a front view of the supercharger housing.

**1 Claim, 7 Drawing Sheets**



(56)

References Cited

U.S. PATENT DOCUMENTS

5,819,538 A 10/1998 Lawson, Jr.  
 6,203,297 B1 3/2001 Patel  
 6,312,240 B1 11/2001 Weinbrecht  
 6,324,848 B1 12/2001 Gladden et al.  
 6,343,473 B1 2/2002 Kanesaka  
 6,589,034 B2 7/2003 Vorwerk et al.  
 6,874,486 B2 4/2005 Prior et al.  
 7,100,584 B1 9/2006 Bruestle et al.  
 7,226,280 B1 6/2007 Yokoi et al.  
 7,488,164 B2 2/2009 Swartzlander  
 7,529,614 B1 5/2009 Mueller  
 7,779,822 B2 8/2010 Prior et al.  
 7,866,966 B2 1/2011 Swartzlander  
 7,950,911 B2 5/2011 Ohtsuka et al.  
 8,434,305 B2 5/2013 Bentley et al.  
 8,539,769 B2 9/2013 Barker  
 8,632,324 B2 1/2014 Swartzlander  
 D718,043 S \* 11/2014 Hamburger ..... D3/5  
 D732,081 S \* 6/2015 Northrop ..... D15/4  
 9,822,781 B2 \* 11/2017 Swartzlander ..... F04C 29/12  
 2003/0039568 A1 2/2003 Vorwerk et al.  
 2003/0192503 A1 \* 10/2003 James ..... F01C 1/28  
 123/249  
 2004/0194766 A1 10/2004 Prior et al.  
 2006/0263230 A1 11/2006 Swartzlander  
 2008/0060622 A1 \* 3/2008 Prior ..... F02B 33/38  
 123/559.1  
 2008/0168961 A1 7/2008 Prior et al.  
 2008/0170958 A1 \* 7/2008 Prior ..... F04C 18/084  
 418/179  
 2008/0271719 A1 \* 11/2008 Prior ..... F02B 33/40  
 123/559.1  
 2009/0004038 A1 \* 1/2009 Prior ..... F04C 18/16  
 418/85  
 2009/0148330 A1 6/2009 Swartzlander  
 2010/0086402 A1 \* 4/2010 Ouwenga ..... F04C 18/12  
 415/224

2011/0058974 A1 3/2011 Swartzlander  
 2011/0150671 A1 \* 6/2011 Ouwenga ..... F01C 11/008  
 417/293  
 2014/0017101 A1 \* 1/2014 Staley ..... F02B 33/38  
 417/319  
 2014/0193285 A1 7/2014 Swartzlander  
 2015/0118086 A1 \* 4/2015 Swartzlander ..... F04C 29/12  
 418/1  
 2015/0252719 A1 \* 9/2015 Pryor ..... F04C 18/16  
 92/177  
 2015/0377158 A1 \* 12/2015 Benjey ..... F02B 39/10  
 701/22  
 2016/0003129 A1 \* 1/2016 Swartzlander ..... F04C 28/10  
 418/1  
 2016/0003249 A1 \* 1/2016 Ouwenga ..... F04C 27/005  
 418/1  
 2016/0003250 A1 \* 1/2016 McWilliams ..... F02B 33/38  
 418/206.2  
 2016/0047340 A1 \* 2/2016 Mahalatkar ..... F02M 25/0727  
 123/568.12  
 2017/0204881 A1 7/2017 Soeters, Jr.

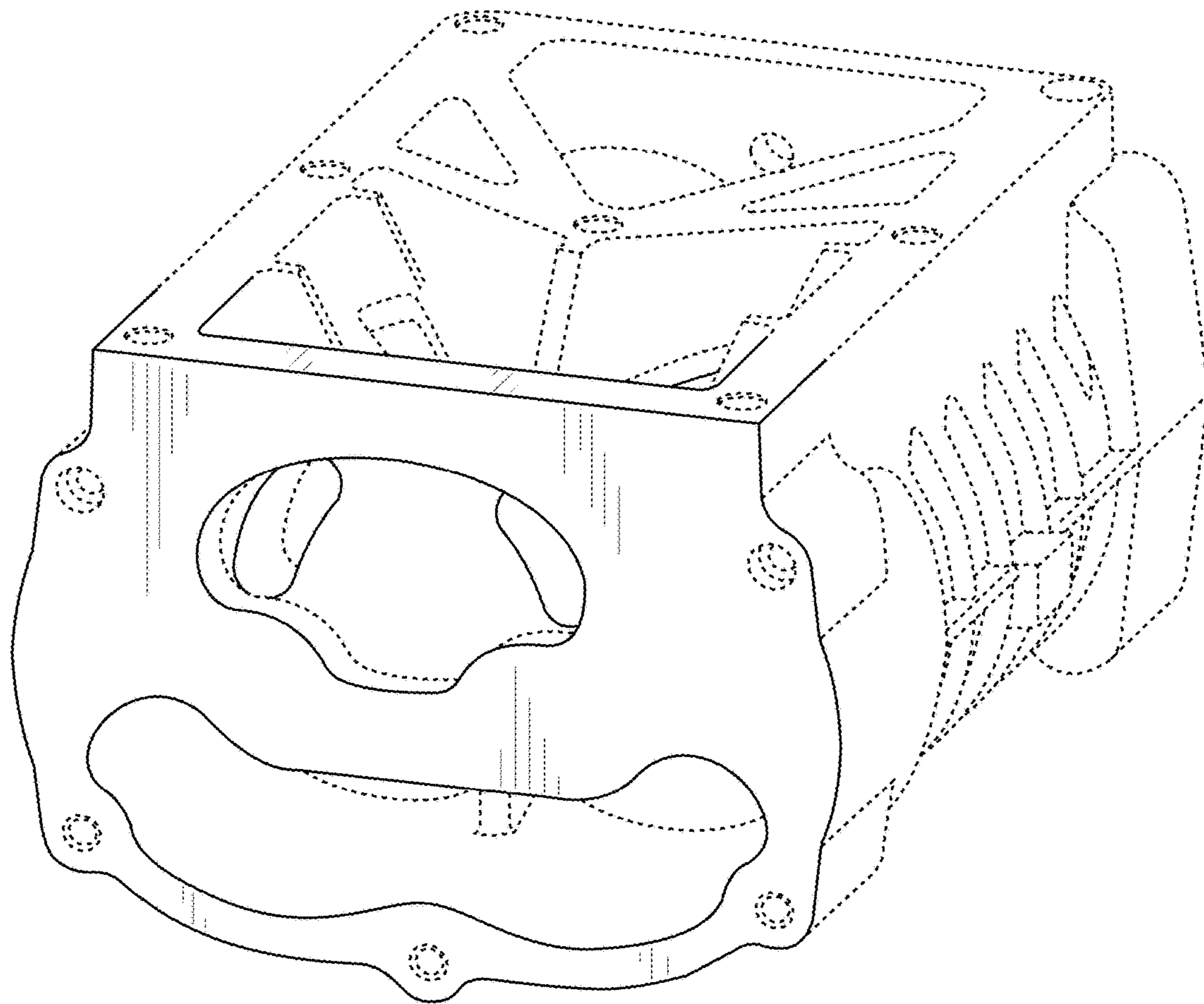
FOREIGN PATENT DOCUMENTS

FR 778361 3/1935  
 GB 282752 5/1928  
 JP 11-294175 10/1999  
 WO 2015179444 A1 11/2015

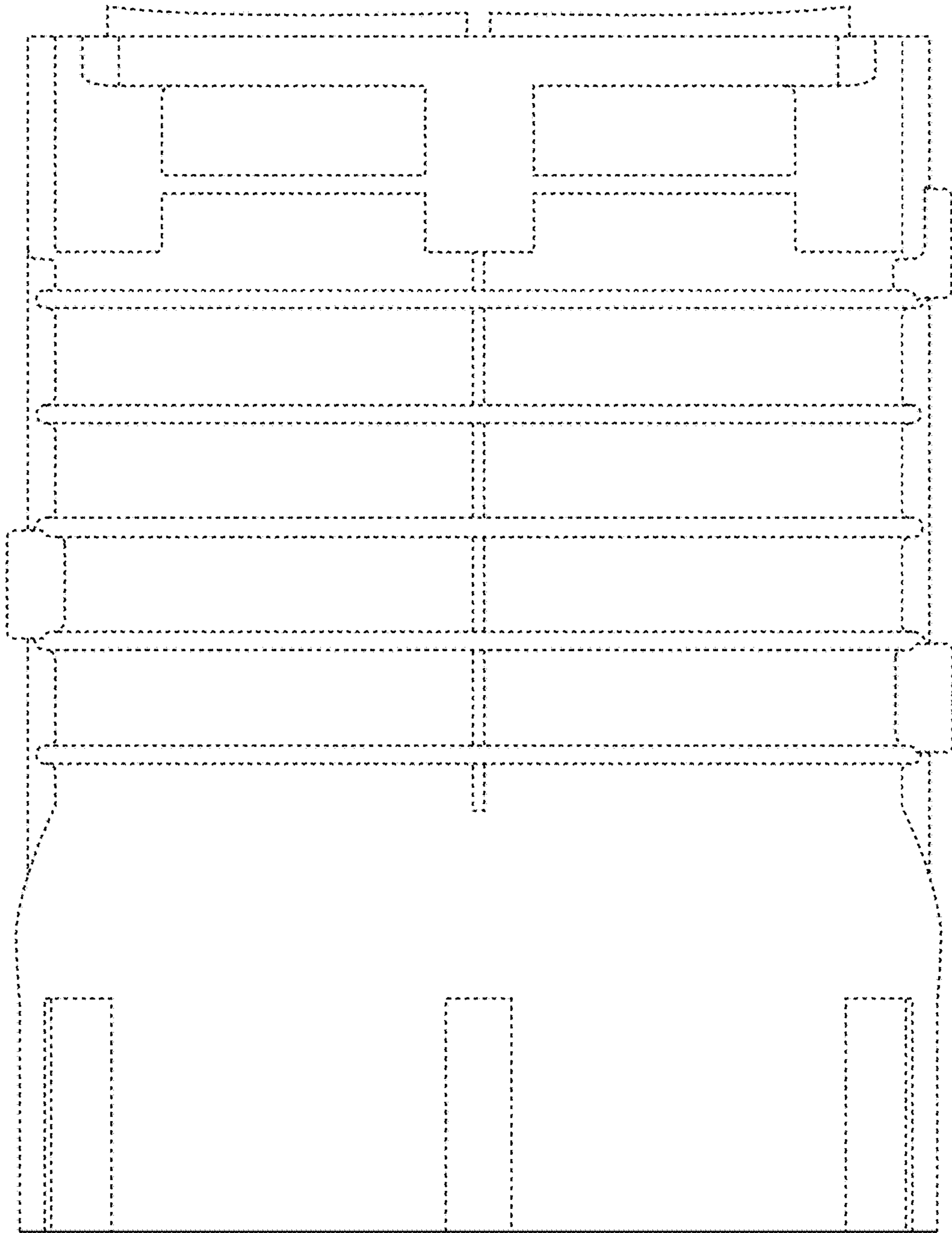
OTHER PUBLICATIONS

International Search Report and Written Opinion, PCT/US2014/063439, dated Feb. 17, 2015, pp. 1-9.  
 Welabrecht, John E., "The High-Ratio Circulating Compressor," International Compressor Engineering Conference, 1988, p. 1-9, Paper 644, Purdue University.  
 Extended European Search Report dated Aug. 9, 2017 for Application No. 14857269.6, pp. 1-6.

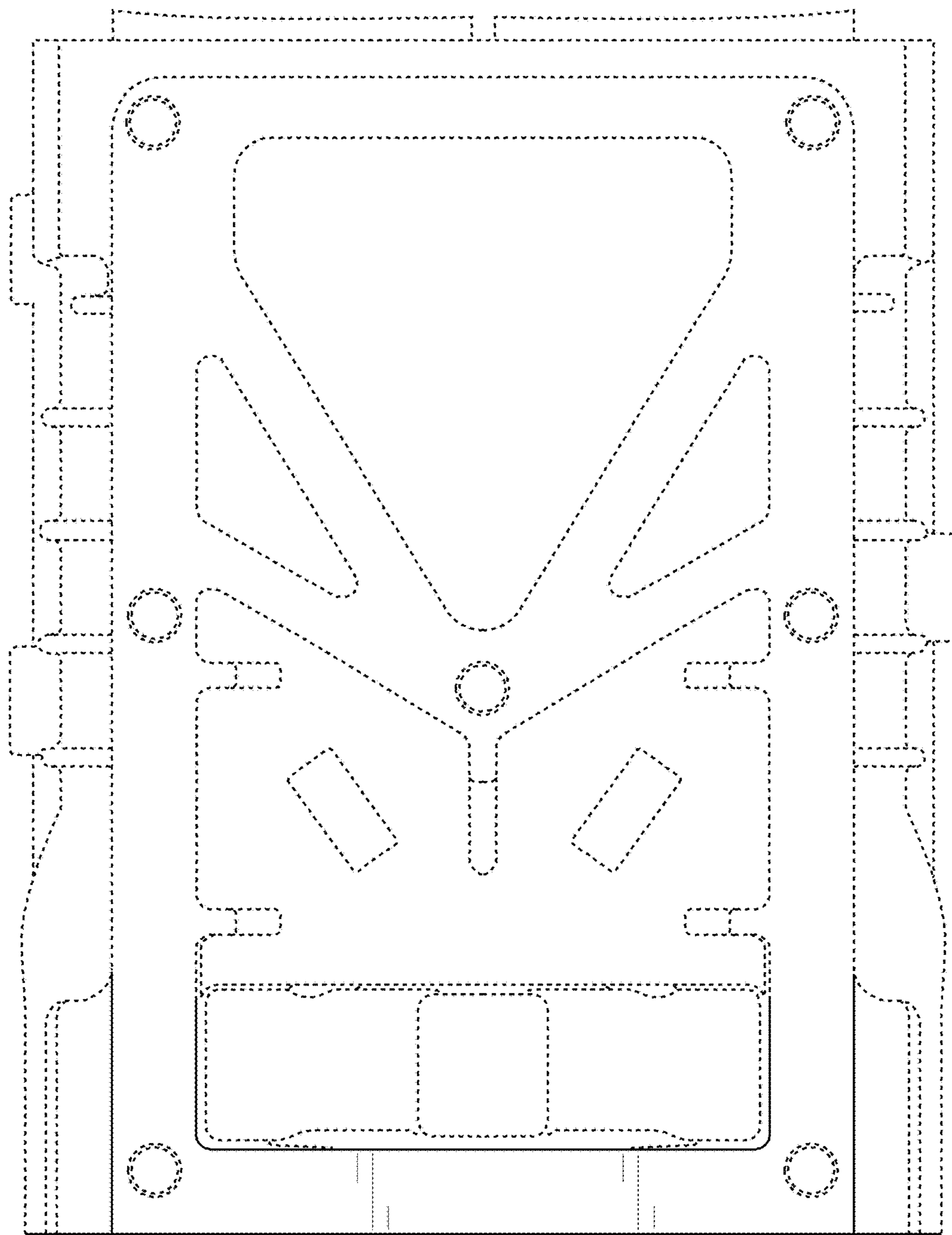
\* cited by examiner



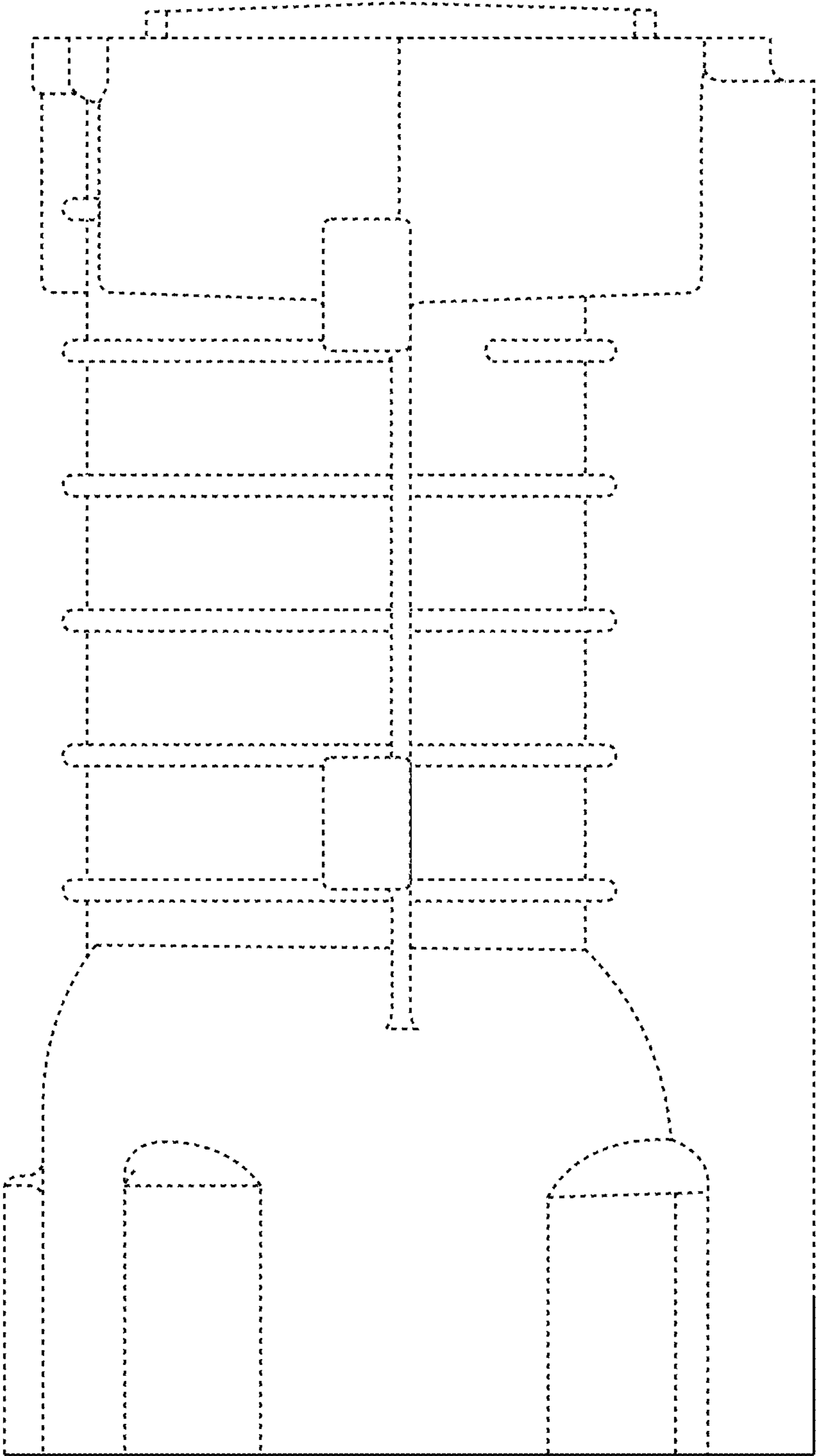
**FIG. 1**



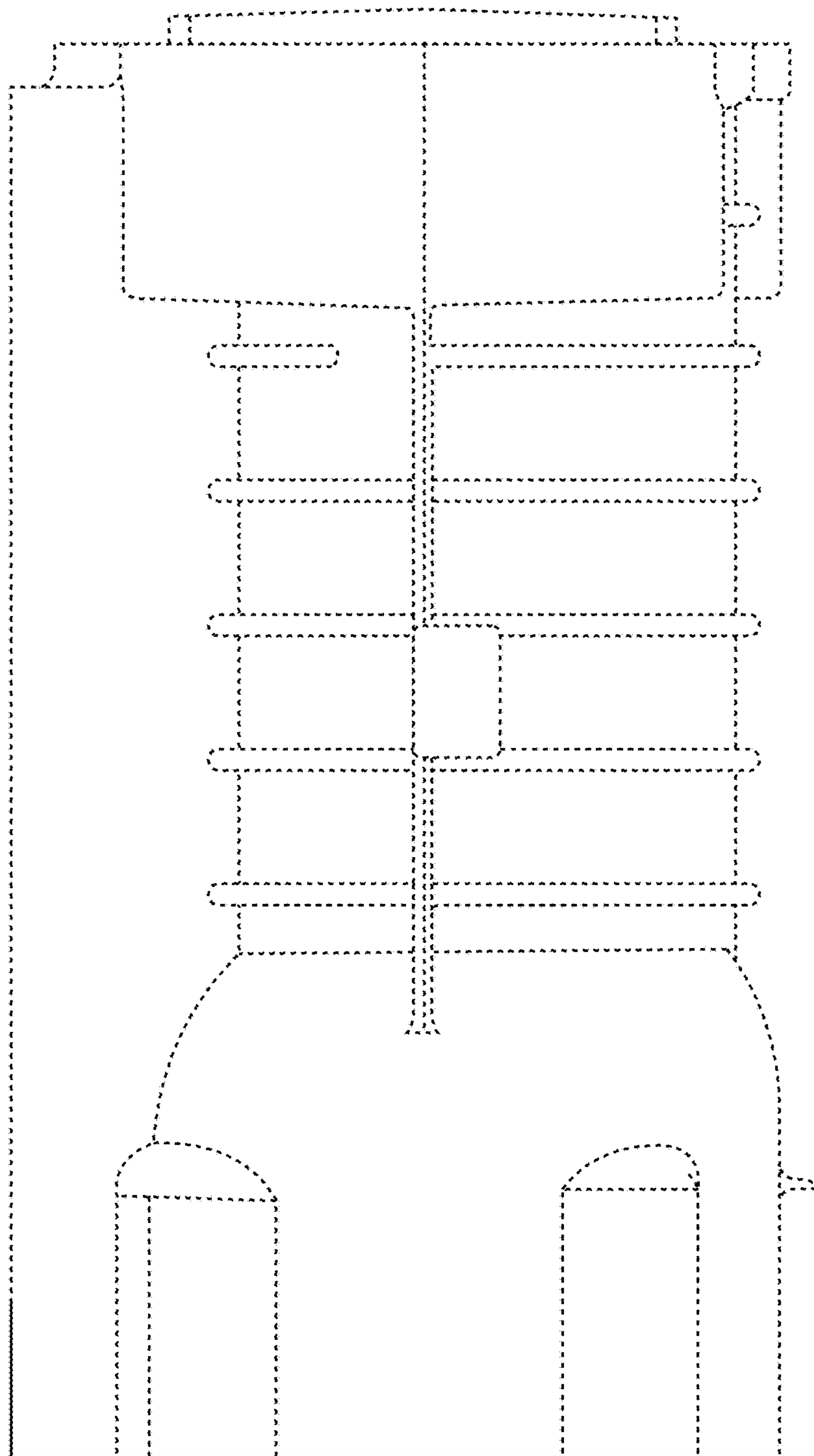
**FIG. 2**



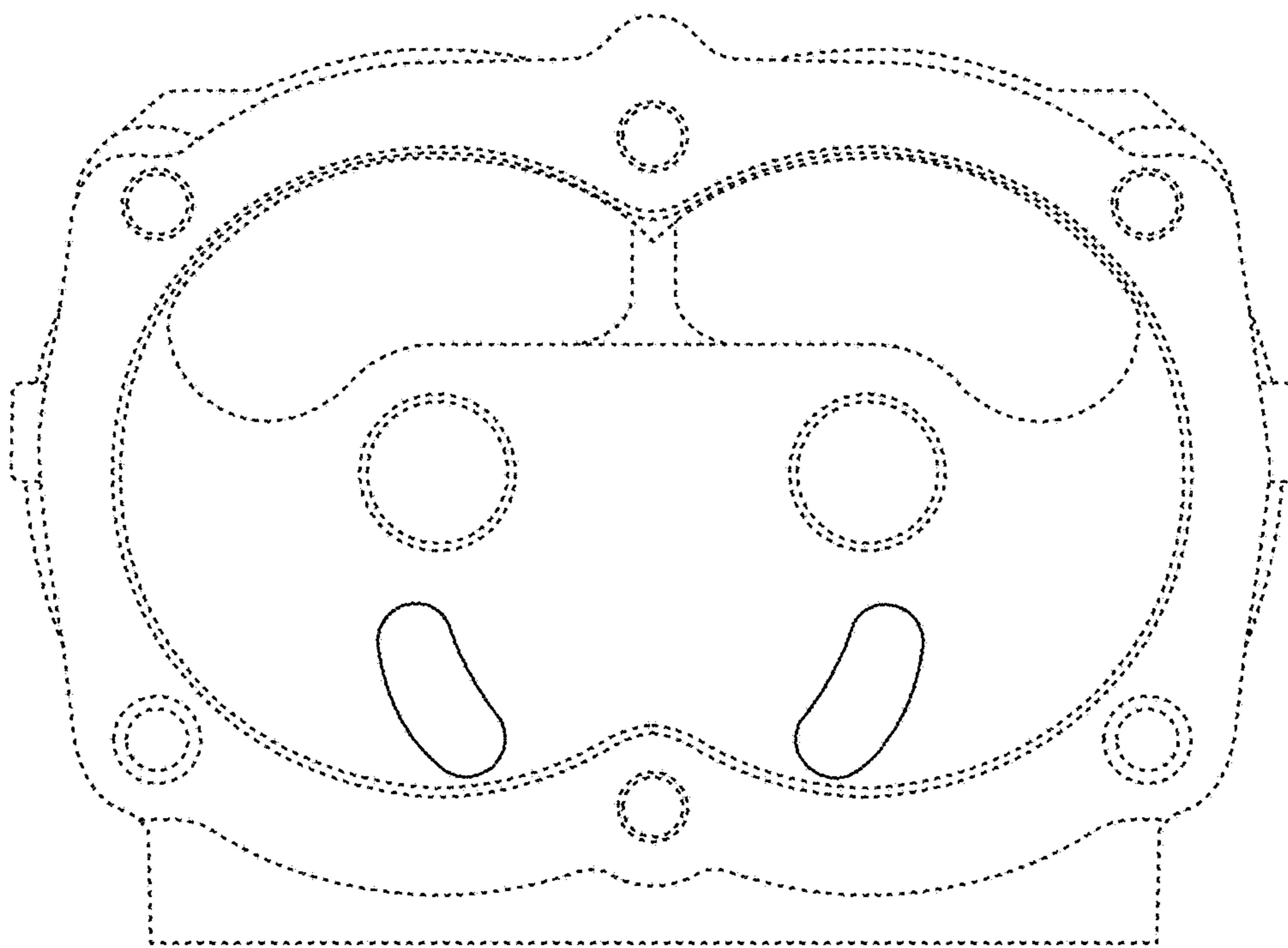
**FIG. 3**



**FIG. 4**

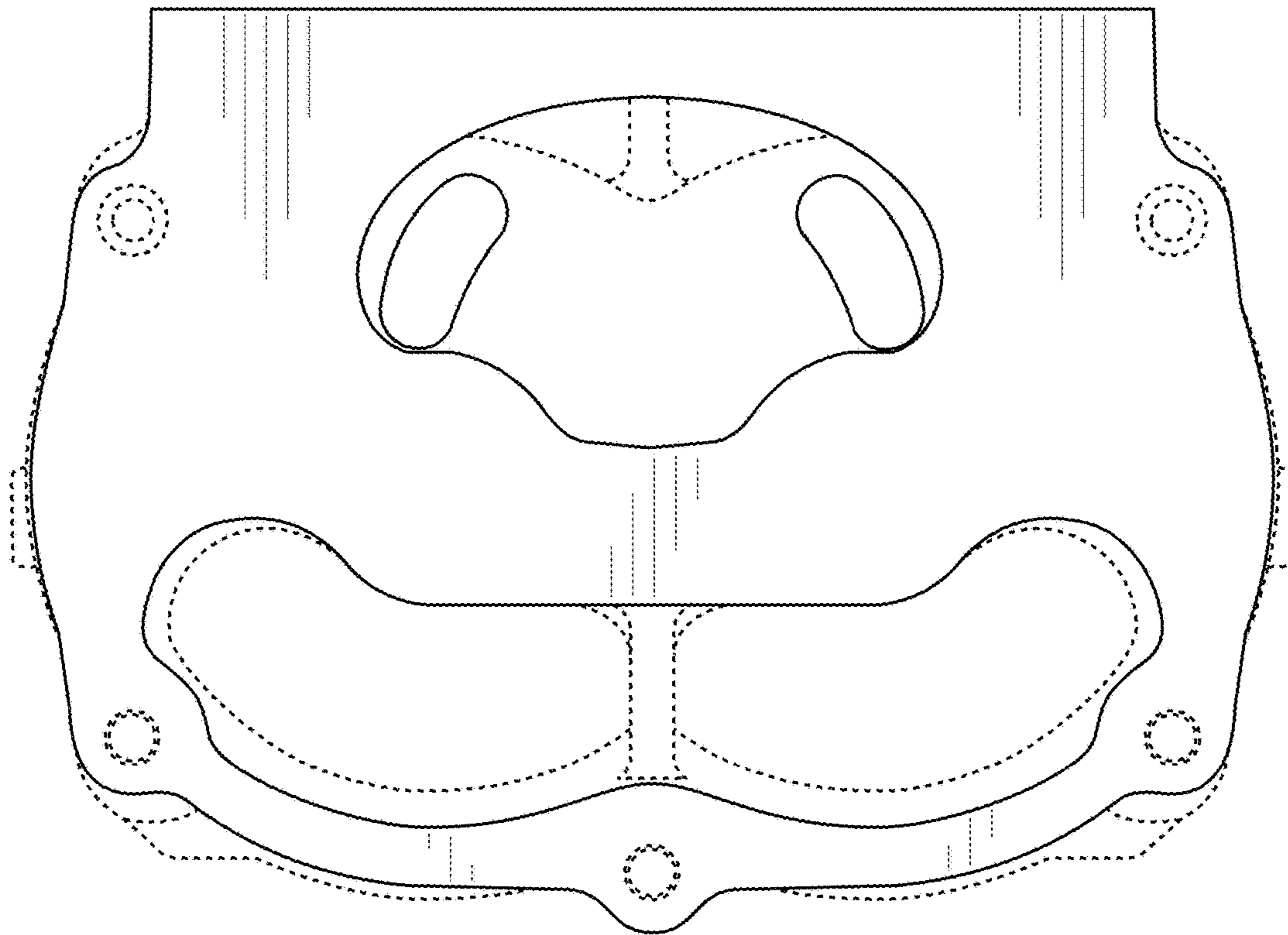


**FIG. 5**



**FIG. 6**





**FIG. 7**