



US00D816716S

(12) **United States Design Patent** (10) **Patent No.:** **US D816,716 S**  
**Abellera et al.** (45) **Date of Patent:** **\*\* May 1, 2018**

(54) **OUTBOARD MARINE ENGINE COVER**

(71) Applicant: **Brunswick Corporation**, Lake Forest, IL (US)

(72) Inventors: **Ryan C. Abellera**, Fond du Lac, WI (US); **Travis J. Vaninetti**, Neenah, WI (US); **Todd D. Dannenberg**, Fond du Lac, WI (US)

9,039,469 B1 \* 5/2015 Calamia ..... B63H 20/02 440/53

9,073,616 B1 \* 7/2015 Wiegele ..... B63H 20/32

D740,858 S \* 10/2015 Dannenberg ..... D15/4

9,180,950 B1 \* 11/2015 Davenport ..... F02M 35/167

D757,126 S \* 5/2016 Vaninetti ..... D15/31

2003/0194927 A1 \* 10/2003 Sanschagrín ..... F02B 61/045 440/77

2016/0023740 A1 \* 1/2016 Skrzypchak ..... B63H 21/21 440/83

(73) Assignee: **Brunswick Corporation**, Mettawa, IL (US)

(\*\*) Term: **15 Years**

(21) Appl. No.: **29/576,392**

(22) Filed: **Sep. 2, 2016**

(51) **LOC (11) Cl.** ..... **15-01**

(52) **U.S. Cl.**  
USPC ..... **D15/4**

(58) **Field of Classification Search**  
USPC ..... D15/4, 5; D12/214, 317  
CPC .. B63H 20/32; B63H 2020/323; B63H 23/30; B63H 23/08; B63H 23/22; B63H 5/14; B63H 5/15; B63H 21/165; B63H 21/17; B63H 21/38; B63H 5/125; B63B 35/68  
See application file for complete search history.

(56) **References Cited**

U.S. PATENT DOCUMENTS

D485,847 S \* 1/2004 Sanschagrín ..... D15/4

D495,716 S \* 9/2004 Sanschagrín ..... D15/4

D714,345 S \* 9/2014 Petit ..... D15/4

\* cited by examiner

*Primary Examiner* — T. Chase Nelson

*Assistant Examiner* — Ania Aman

(74) *Attorney, Agent, or Firm* — Andrus Intellectual Property Law, LLP

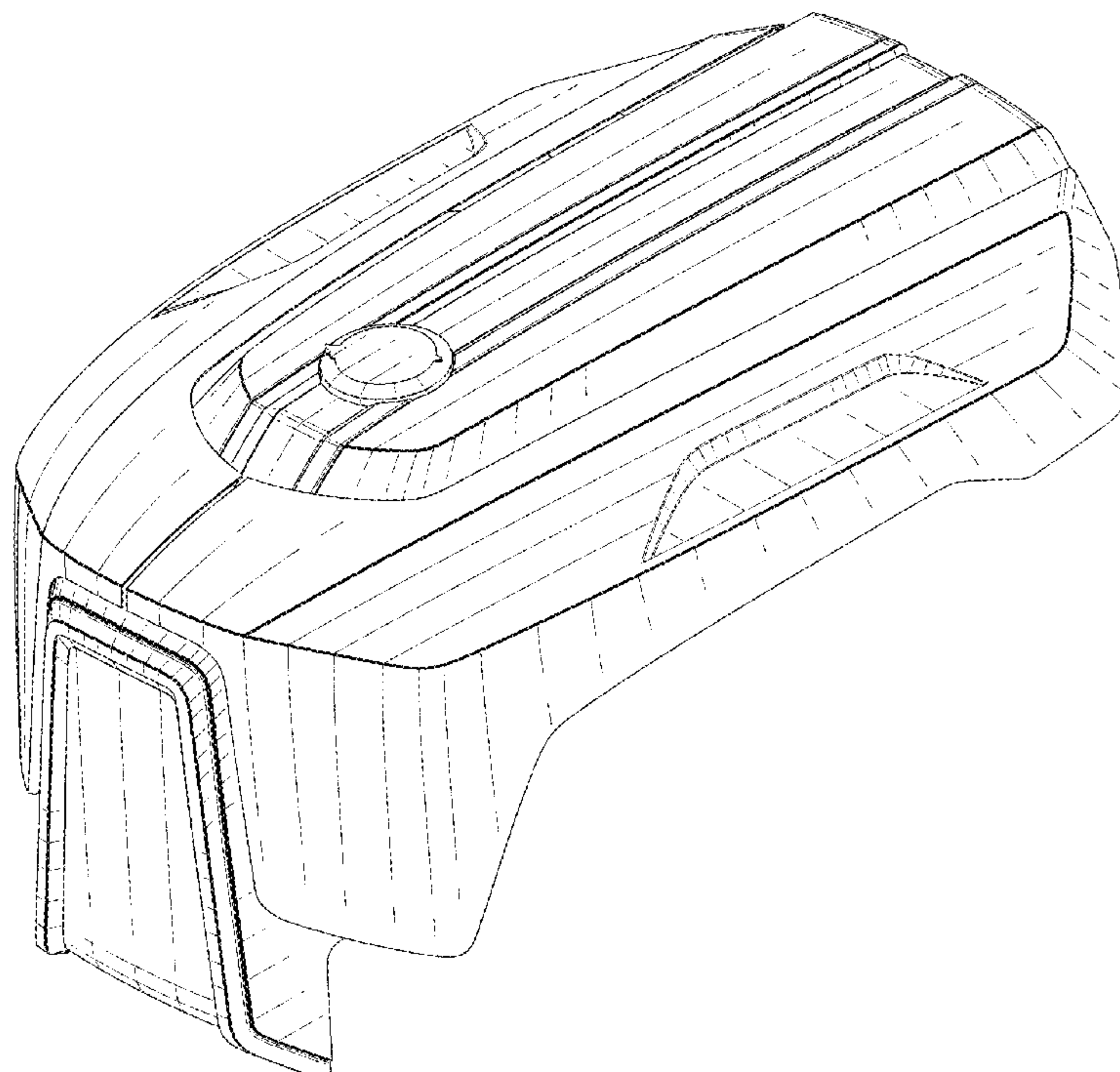
(57) **CLAIM**

The ornamental design for an outboard marine engine cover, as shown and described.

**DESCRIPTION**

FIG. 1 is a perspective view of our new and ornamental design for an outboard marine engine cover. FIG. 2 is an opposite perspective view thereof. FIG. 3 is a front view thereof. FIG. 4 is a rear view thereof. FIG. 5 is a top view thereof. FIG. 6 is a bottom view thereof. FIG. 7 is a right side view thereof; and, FIG. 8 is a left side view thereof. Portions of the outboard marine engine cover which are shown in broken line are for illustrative purposes only and form no part of the claimed design.

**1 Claim, 8 Drawing Sheets**



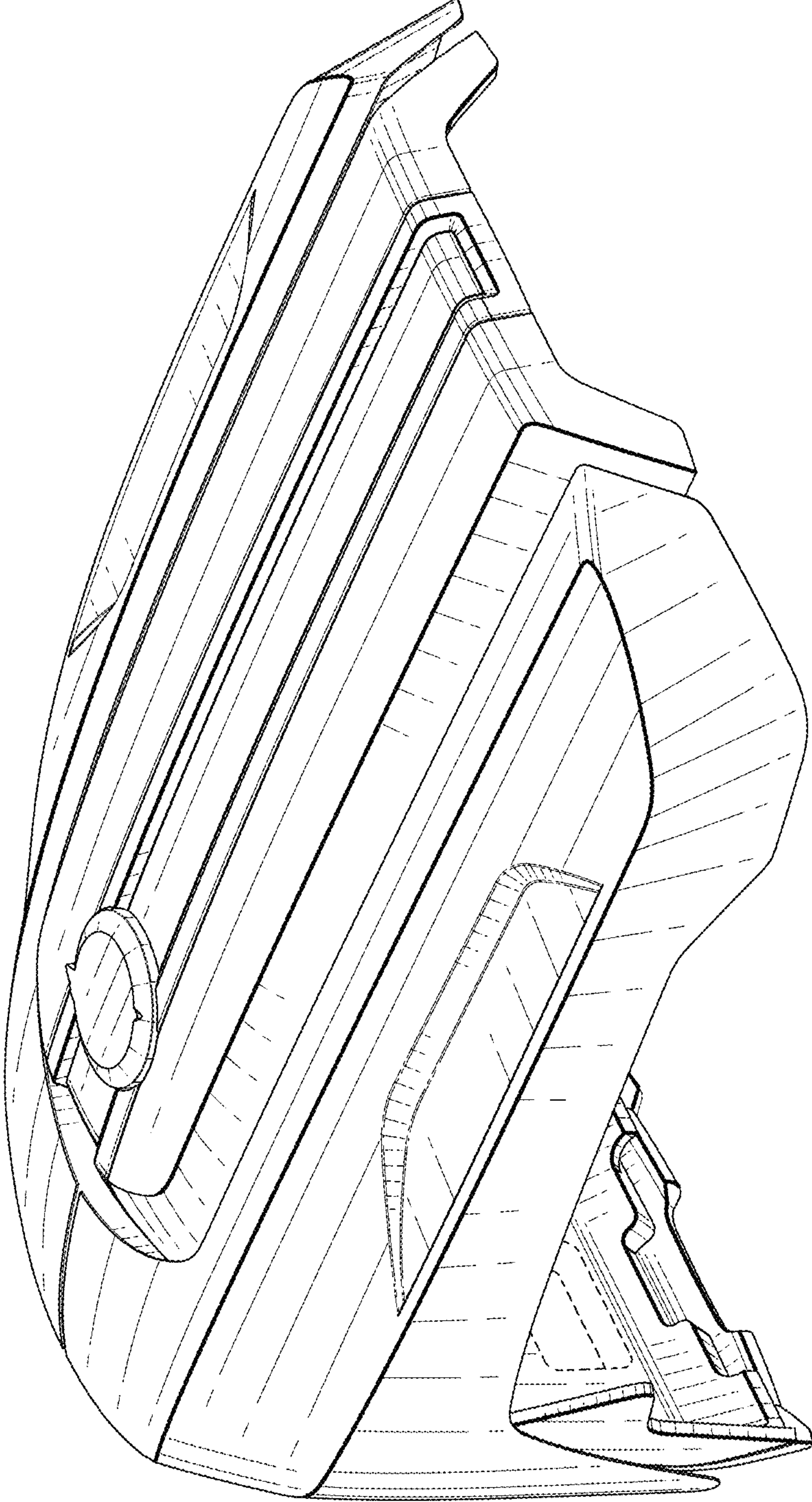


FIG. 1



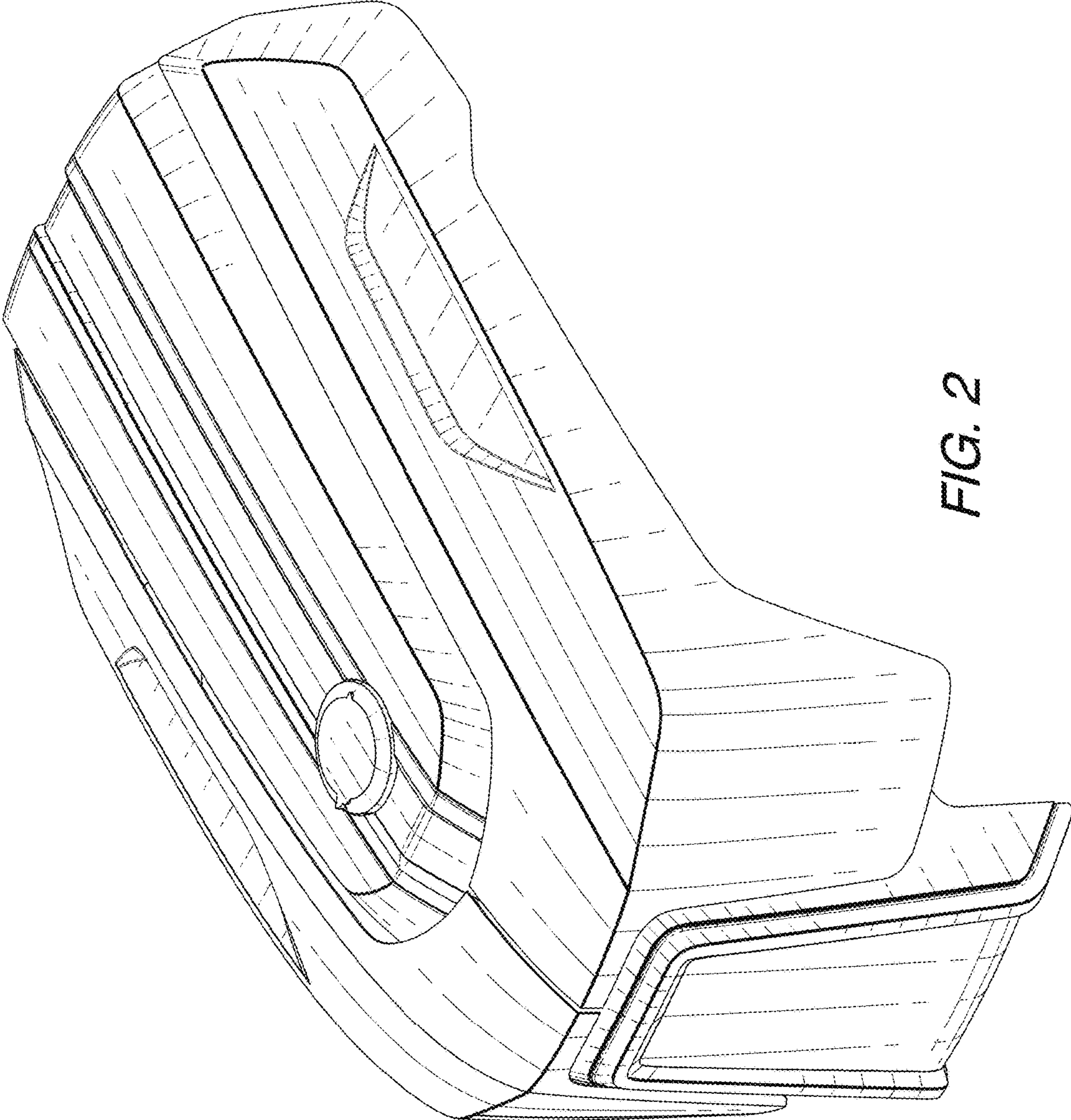
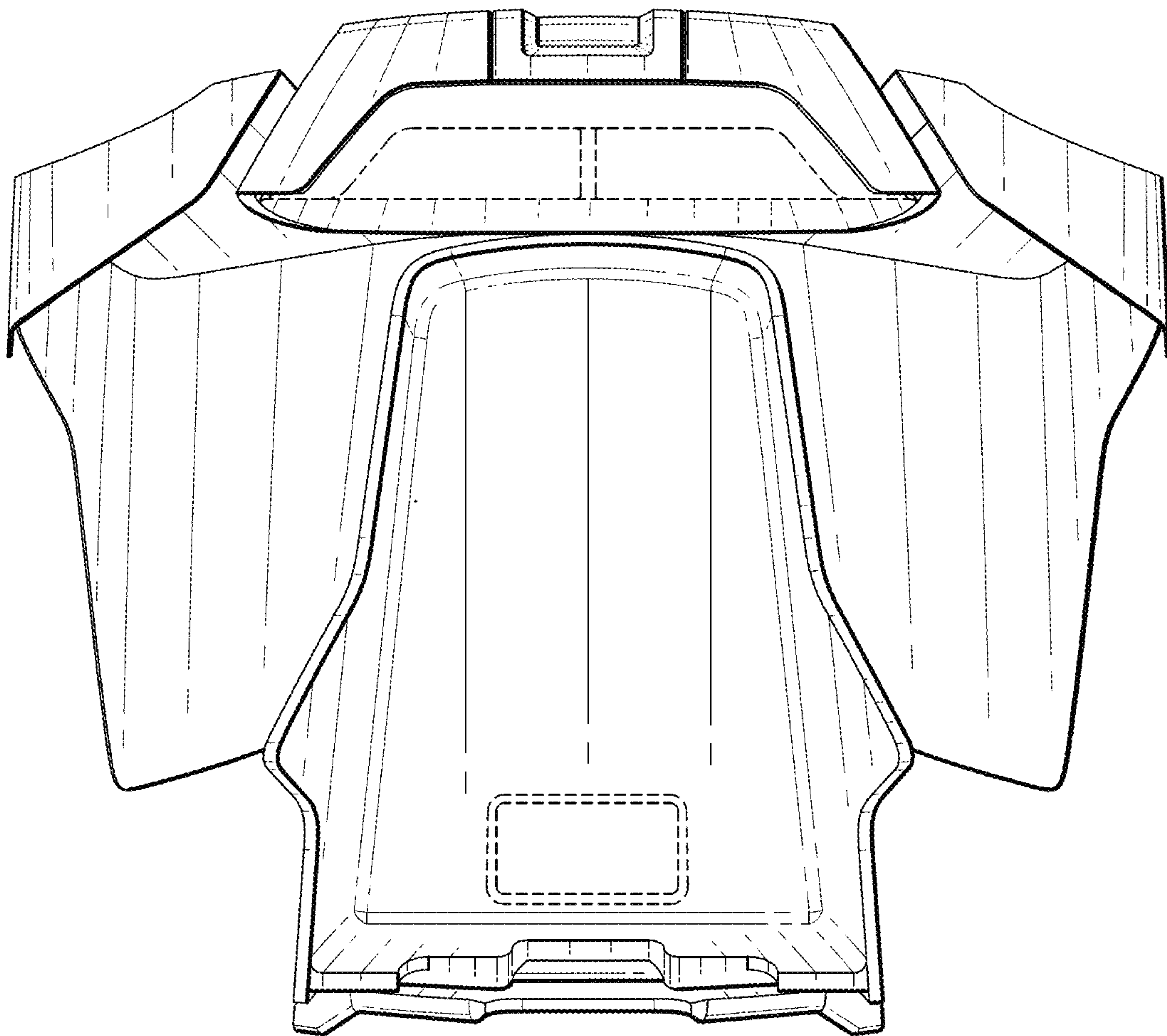
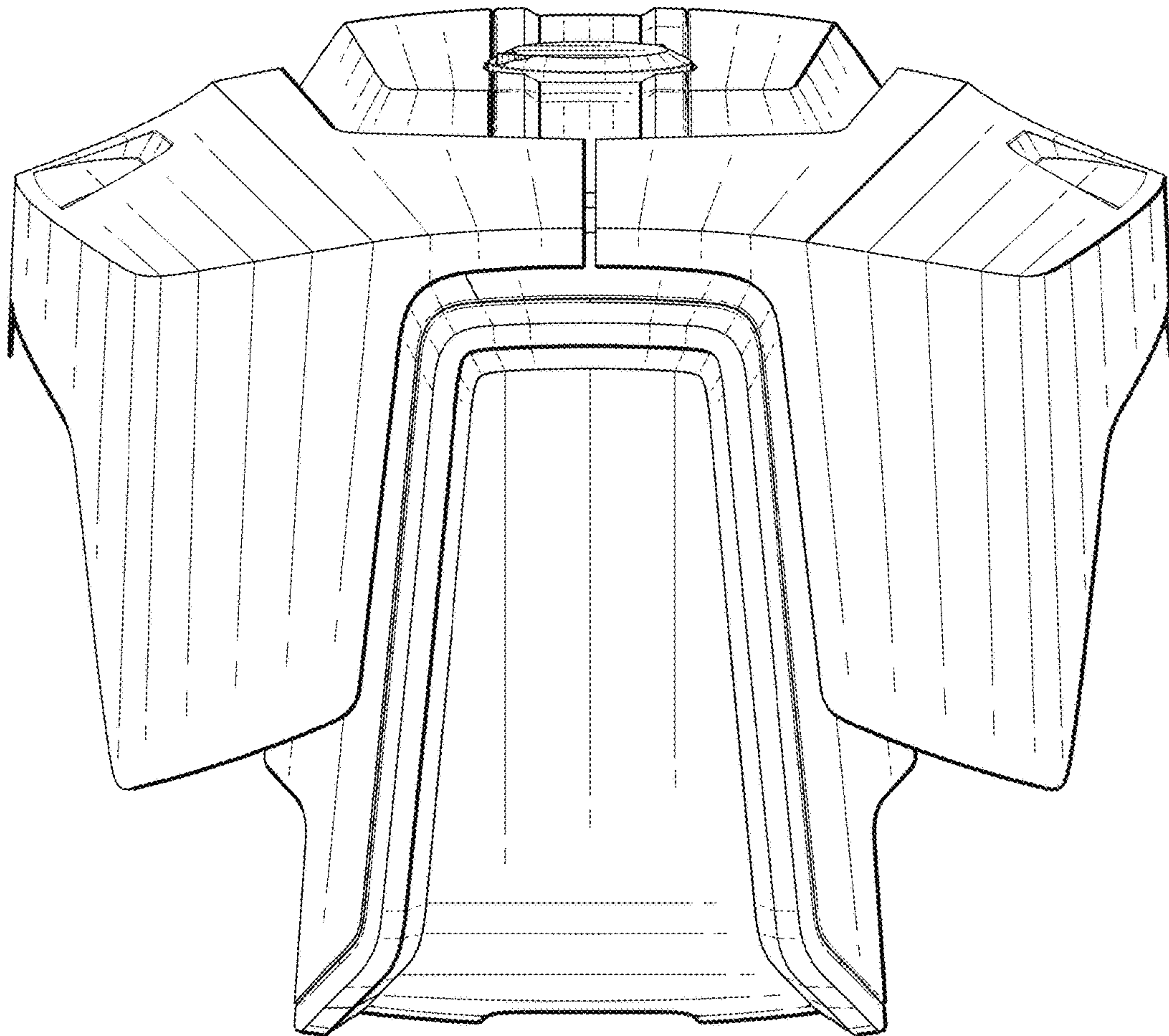


FIG. 2



*FIG. 3*



*FIG. 4*



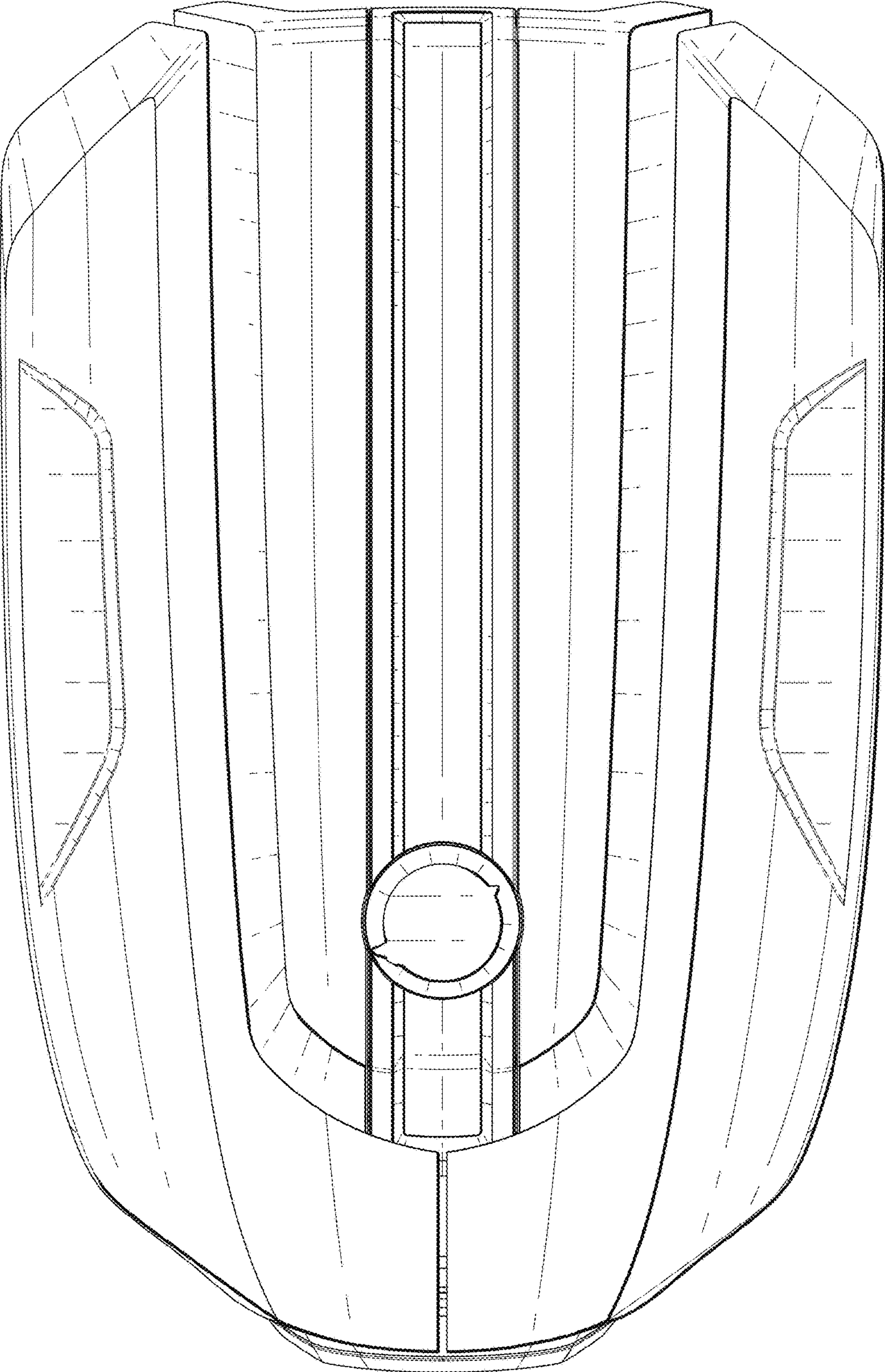


FIG. 5

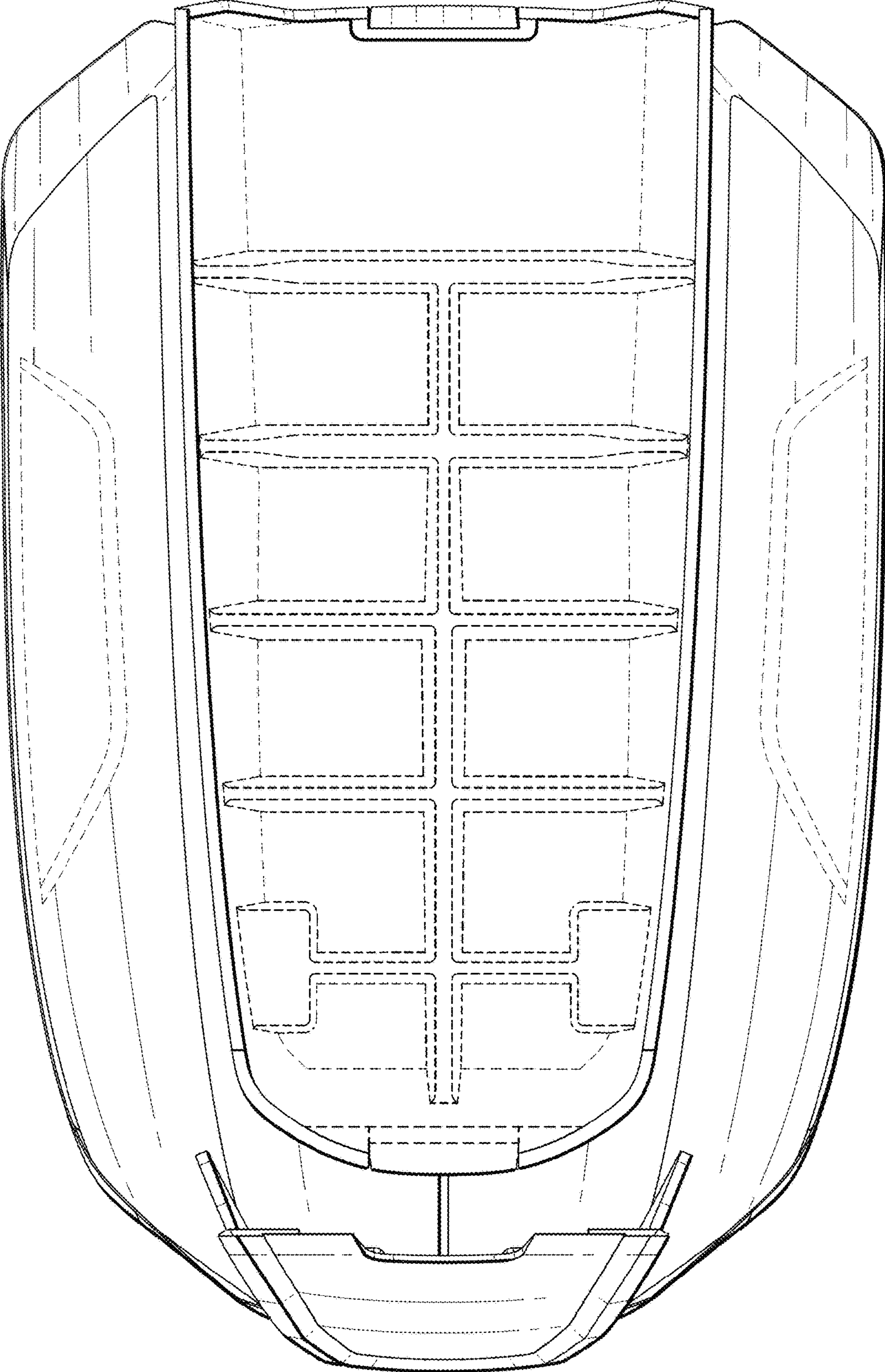


FIG. 6

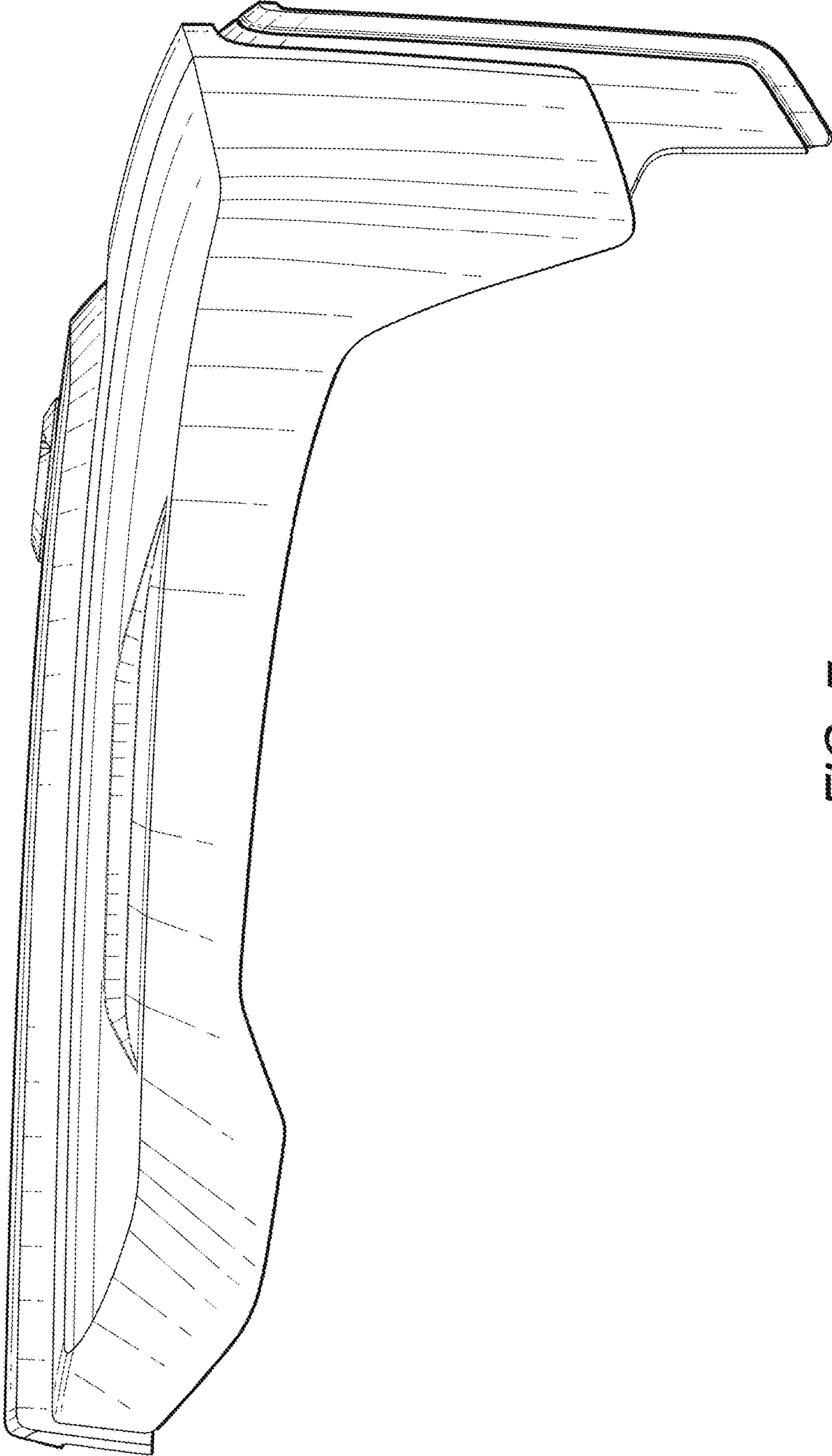


FIG. 7



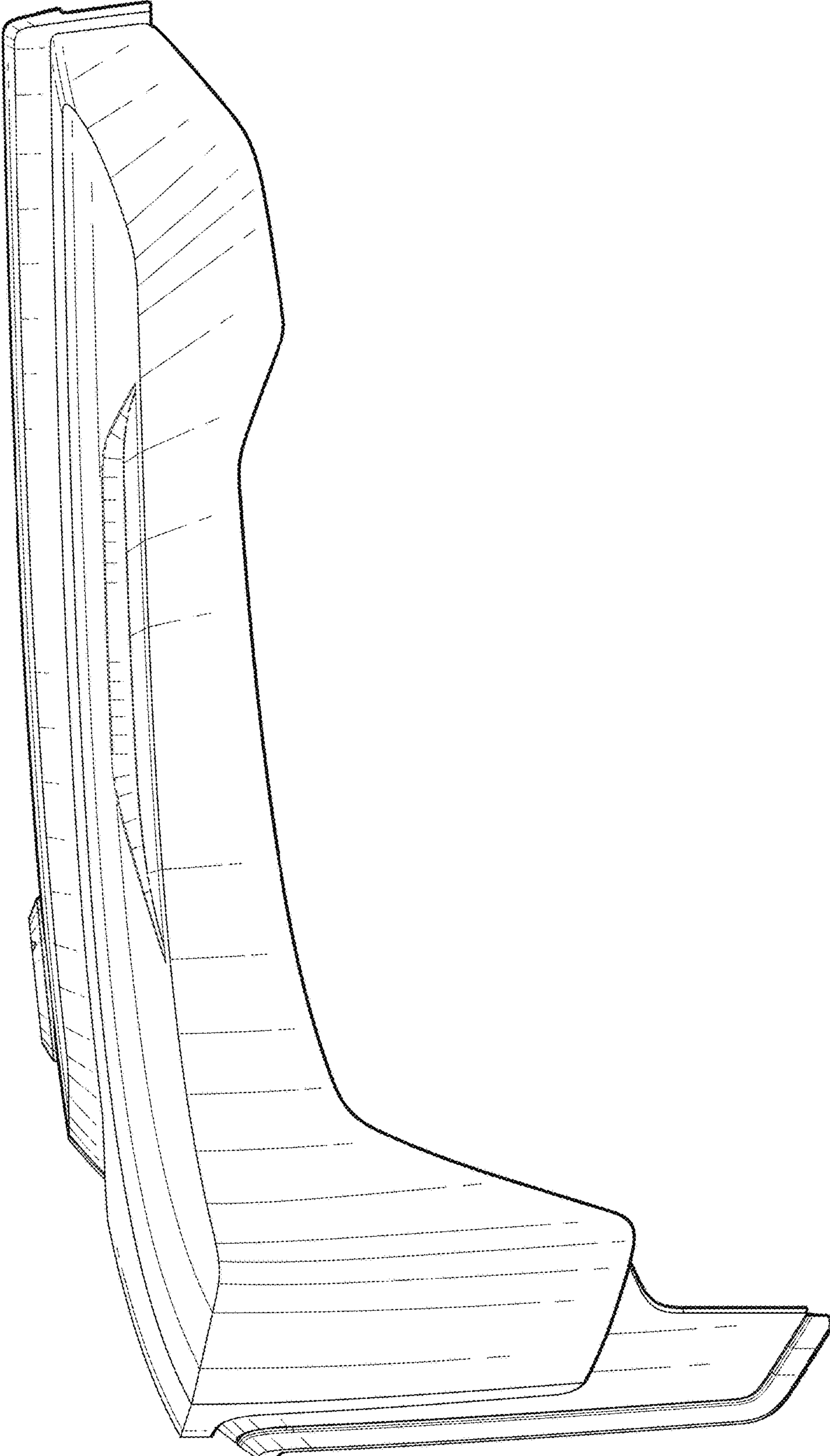


FIG. 8