



US00D816677S

(12) **United States Design Patent** (10) **Patent No.:** **US D816,677 S**
Akana et al. (45) **Date of Patent:** **** May 1, 2018**

(54) **CASE**

(71) Applicant: **Apple Inc.**, Cupertino, CA (US)

(72) Inventors: **Jody Akana**, San Francisco, CA (US);
Bartley K. Andre, Palo Alto, CA (US);
Shota Aoyagi, San Francisco, CA (US);
Jeremy Bataillou, San Francisco, CA
(US); **Daniel J. Coster**, San Francisco,
CA (US); **Daniele De Iuliis**, San
Francisco, CA (US); **M. Evans**
Hankey, San Francisco, CA (US);
Julian Hoenig, San Francisco, CA
(US); **Richard P. Howarth**, San
Francisco, CA (US); **Duncan Robert**
Kerr, San Francisco, CA (US);
Matthew Dean Rohrbach, San
Francisco, CA (US); **Peter**
Russell-Clarke, San Francisco, CA
(US); **Mikael Silvanto**, San Francisco,
CA (US); **Christopher J. Stringer**,
Woodside, CA (US); **Eugene Antony**
Whang, San Francisco, CA (US); **Rico**
Zörkendörfer, San Francisco, CA (US)

(73) Assignee: **Apple Inc.**, Cupertino, CA (US)

(**) Term: **15 Years**

(21) Appl. No.: **29/534,235**

(22) Filed: **Jul. 27, 2015**

Related U.S. Application Data

(63) Continuation of application No. 29/470,472, filed on
Oct. 22, 2013, now Pat. No. Des. 735,205.

(51) **LOC (11) Cl.** **14-02**

(52) **U.S. Cl.**
USPC **D14/440**

(58) **Field of Classification Search**
USPC ... D14/250, 251, 253, 240, 217, 496, 203.3,
D14/203.4, 203.5, 203.8, 440, 238.1, 432,

(Continued)

(56) **References Cited**

U.S. PATENT DOCUMENTS

2,968,176 A 1/1961 Collings
3,442,371 A 5/1969 Deshong et al.
(Continued)

FOREIGN PATENT DOCUMENTS

EM 001266266-0001 3/2011
EM 001266282-0001 3/2011
(Continued)

OTHER PUBLICATIONS

Incase, "Introducing the Convertible Magazine Jacket for iPad",
goincase.com, accessed at <http://goinease.com/blog/2010/11/23/introducing-the-convertible-magazine-jacket-for-ipad/>, posted Nov.
23, 2010, 7 pages.

(Continued)

Primary Examiner — Sandra Snapp
(74) *Attorney, Agent, or Firm* — Sterne, Kessler,
Goldstein & Fox P.L.L.C.

(57) **CLAIM**

The ornamental design for a case, as shown and described.

DESCRIPTION

FIG. 1 is a bottom front perspective view of a case showing
the claimed design;

FIG. 2 is a front view thereof;

FIG. 3 is a rear view thereof;

FIG. 4 is a left side view thereof;

FIG. 5 is a right side view thereof;

FIG. 6 is a top view thereof;

FIG. 7 is a bottom view thereof;

FIG. 8 is a cross-sectional view taken along line 8-8 in FIG.
2;

FIG. 9 is a bottom front perspective view of another embodi-
ment of a case showing the claimed design;

FIG. 10 is a front view thereof;

FIG. 11 is a rear view thereof;

(Continued)

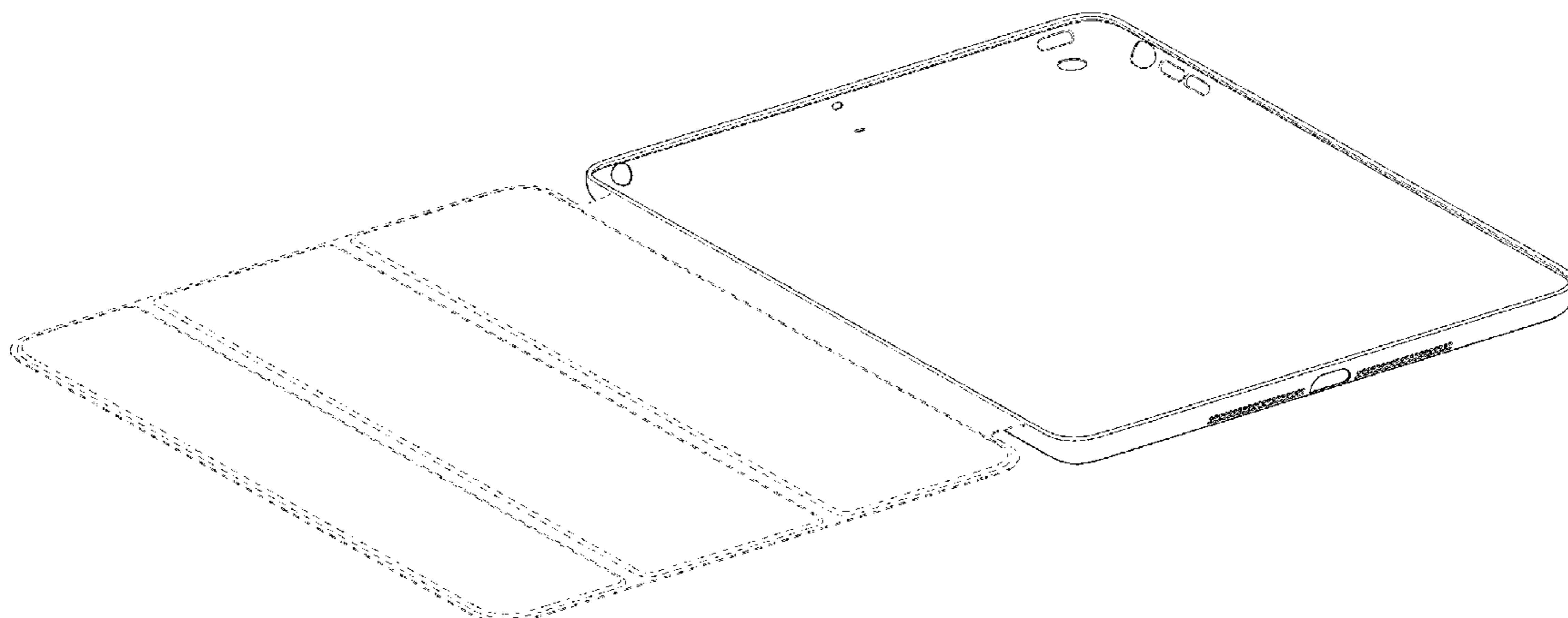


FIG. 12 is a left side view thereof;
 FIG. 13 is a right side view thereof;
 FIG. 14 is a top view thereof;
 FIG. 15 is a bottom view thereof; and,
 FIG. 16 is a cross-sectional view taken along line 16-16 in
 FIG. 10.

The broken lines in the figures show portions of the case that
 form no part of the claimed design.

The cross-hatched shading in FIGS. 8 and 16 forms no part
 of the claimed design.

1 Claim, 12 Drawing Sheets

(58) **Field of Classification Search**

USPC D14/439, 300; D3/201, 273, 274, 290,
 D3/294, 300-303, 315, 318, 319,
 D3/323-328

CPC H05K 5/023; G06F 1/1626

See application file for complete search history.

(56) **References Cited**

U.S. PATENT DOCUMENTS

4,718,550	A	1/1988	Johnson
D321,855	S	11/1991	Ross, Jr.
5,066,158	A	11/1991	Huang
5,092,354	A	3/1992	Pacelli, Jr.
D331,191	S	11/1992	Ventola et al.
D364,191	S	11/1995	Allen
D409,667	S	5/1999	Riley et al.
D454,110	S	3/2002	Andre et al.
D467,429	S	12/2002	Bone et al.
D512,100	S	11/2005	Howes et al.
D538,096	S	3/2007	Bartell et al.
D556,681	S	12/2007	Kim
D574,819	S	8/2008	Andre et al.
D582,405	S	12/2008	Andre et al.
D583,479	S	12/2008	Yim
D584,141	S	1/2009	Smith et al.
D606,751	S	12/2009	Andre et al.
7,697,281	B2*	4/2010	Dabov G06F 1/1626 361/679.55
D619,361	S	7/2010	Andre et al.
D622,716	S	8/2010	Andre et al.
D627,777	S	11/2010	Akana et al.
D633,388	S	3/2011	Andre et al.
D637,814	S	5/2011	Akana et al.
D656,495	S	3/2012	Andre et al.
8,143,982	B1	3/2012	Lauder et al.
D658,186	S	4/2012	Akana et al.
D658,187	S	4/2012	Diebel
D658,188	S	4/2012	Diebel
D662,100	S	6/2012	Van Den Nieuwenhuizen et al.
D662,503	S	6/2012	Akana et al.
D670,692	S	11/2012	Andre et al.
8,328,008	B2	12/2012	Diebel et al.

D685,801	S	7/2013	Canizares et al.
D685,803	S	7/2013	Akana et al.
D688,251	S	8/2013	Akana et al.
D691,142	S	10/2013	Diebel
D691,143	S	10/2013	Diebel
D704,702	S	5/2014	Akana et al.
D706,270	S	6/2014	Akana et al.
D708,836	S	7/2014	Lee
8,794,436	B2	8/2014	Hsu
D788,104	S*	5/2017	Akana D14/341
D795,860	S*	8/2017	Rak D14/341
D795,880	S*	8/2017	Akana D14/440
D795,881	S*	8/2017	Akana D14/440
D800,711	S*	10/2017	Kim D14/250
D801,323	S*	10/2017	Kim D14/250
2009/0107858	A1	4/2009	Huang
2009/0194209	A1	8/2009	De Filippis et al.
2010/0289390	A1	11/2010	Kenney
2010/0300909	A1	12/2010	Hung
2011/0164365	A1	7/2011	McClure et al.
2011/0227463	A1	9/2011	Hou et al.
2011/0299231	A1*	12/2011	Gaddis, II H05K 5/023 361/679.01
2012/0140396	A1	6/2012	Zeliff et al.
2012/0194448	A1	8/2012	Rothkopf

FOREIGN PATENT DOCUMENTS

EM	001266290-0001	3/2011
GB	4020173	6/2011
TW	D154071 S	6/2013

OTHER PUBLICATIONS

Case-Parts, "Original Targus Folding Genuine Leather Case for Apple iPad with Built in Holder," <http://www.case-parts.com/details/Original-Targus-Folding-Genuine-Leather-Case-for-Apple-iPad-with-Built-in-Holder-IPAD-570/photos.htm>, 3 pages.

"Review: AViiA Smart Case for iPad 2", which was published on You Tube at <http://www.youtube.com/watch?v=DaHjzeVWEuA>, May 24, 2011, 3 pages.

"AViiQ Smart Case for iPad compliments Apple's Smart Cover (Review)", which was published on YouTube at <http://www.youtube.com/watch?v=wMoZM-ZSn4g>, Aug. 31, 2011, 2 pages.

Youtube.com, "iPad 2—Best Protective Case—Smart Cover + Smart Cover Back by Simplism", <http://www.youtube.com/watch?v=SRHhU98NAd0&feature=endscreen&NR=1>), May 15, 2011.

"The First iPad 2 Smart Cover Clones are Here", which was published on Gizmodo.com at <http://gizmodo.com/5782270/the-first-ipad-2-smart-cover-clones-are-here>, Mar. 15, 2011, 2 pages.

<http://blog.scoopz.com/2011/07/15/cool-bananas-smartshell-ipad-2-case-review/>; Cool Bananas SmartShell Case, Jul. 2011.

[http://www.amazon.com/Fintie-iPad-mini-Retina-Display/dp/B009T4K9BS/ref=sr_1_22?s=electronics&ie=UTF8&qid=1410209701&sr=1-22&keywords=fintie+case](http://www.amazon.com/Fintie-iPad-mini-Retina-Display/dp/B009T4K9BS/ref=sr_1_22?s=electronics&ie=UTF8&qid=1410209701&sr=1-22&keywords=fintie+case;); Fintie SmartShell Case, Aug. 2012.

* cited by examiner

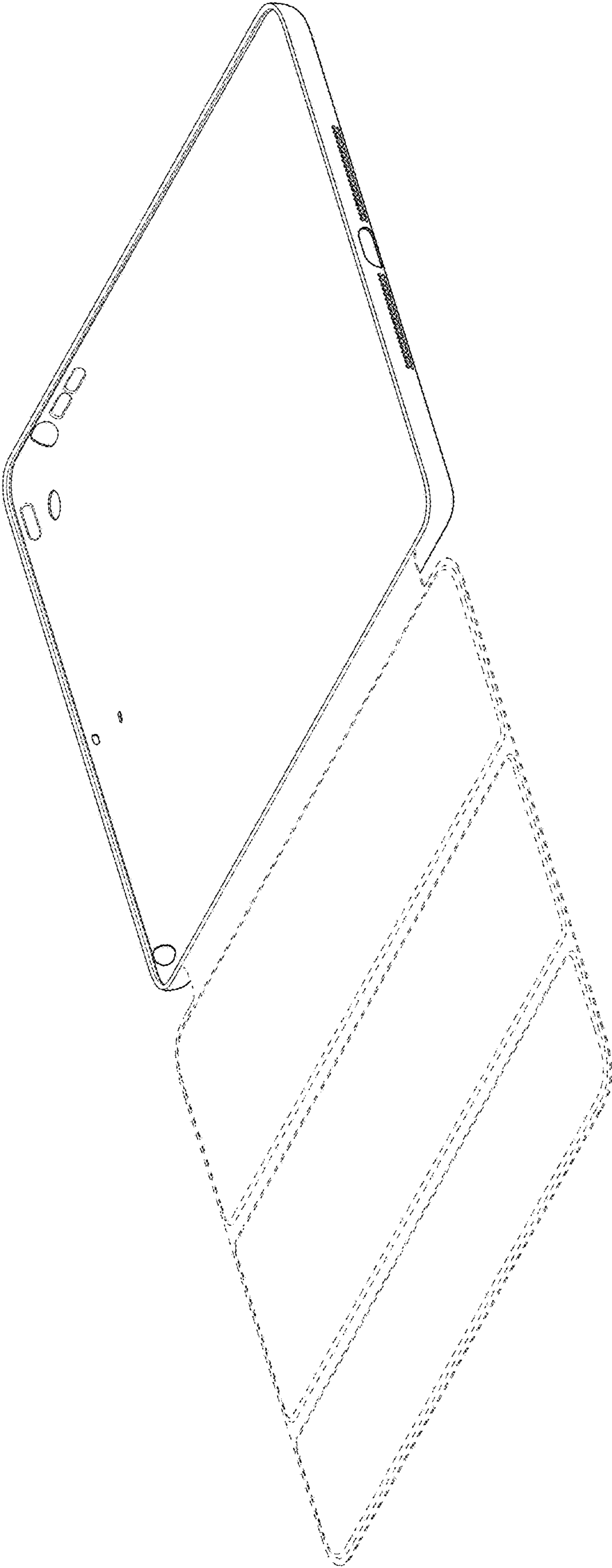


FIG. 1

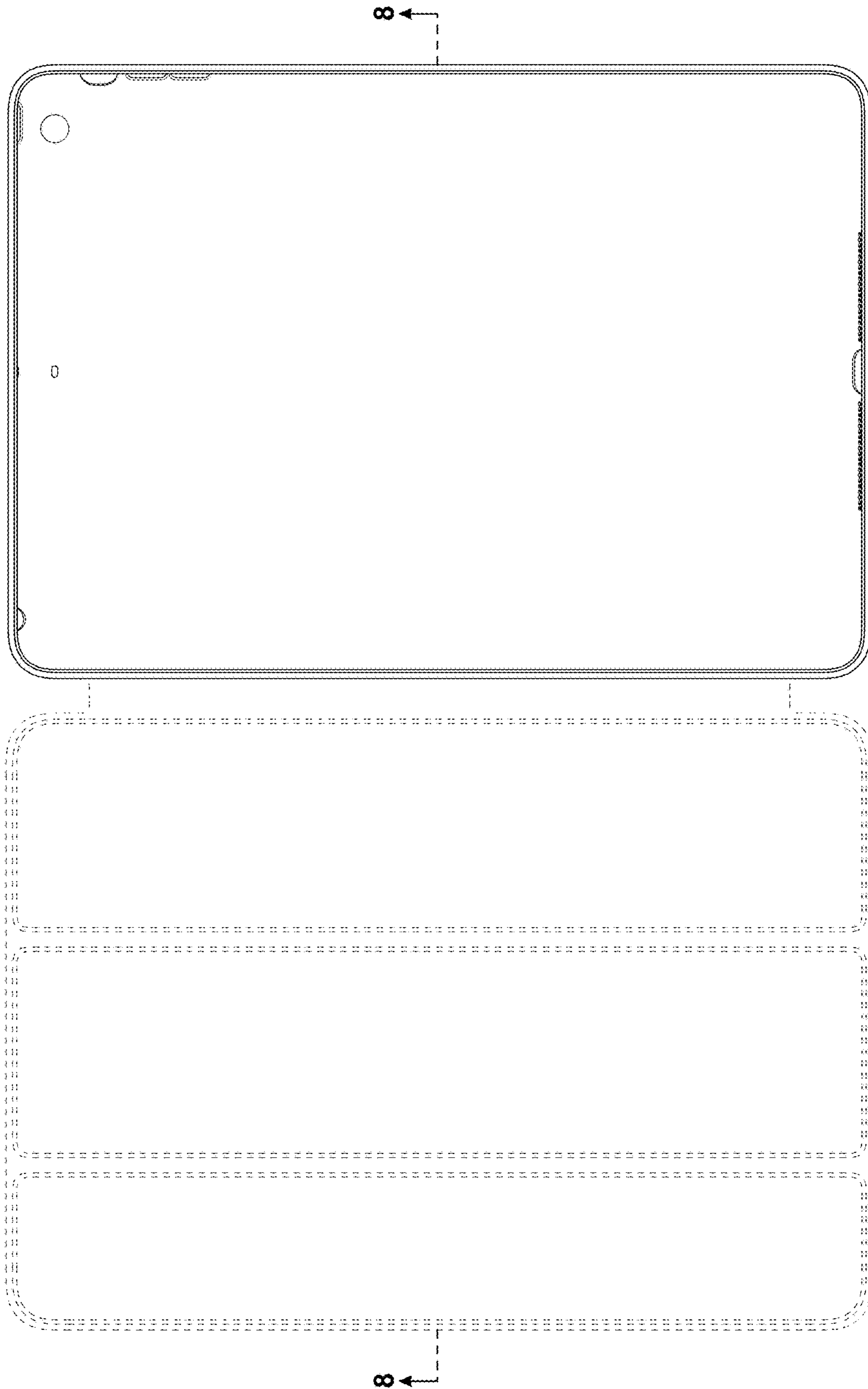


FIG. 2

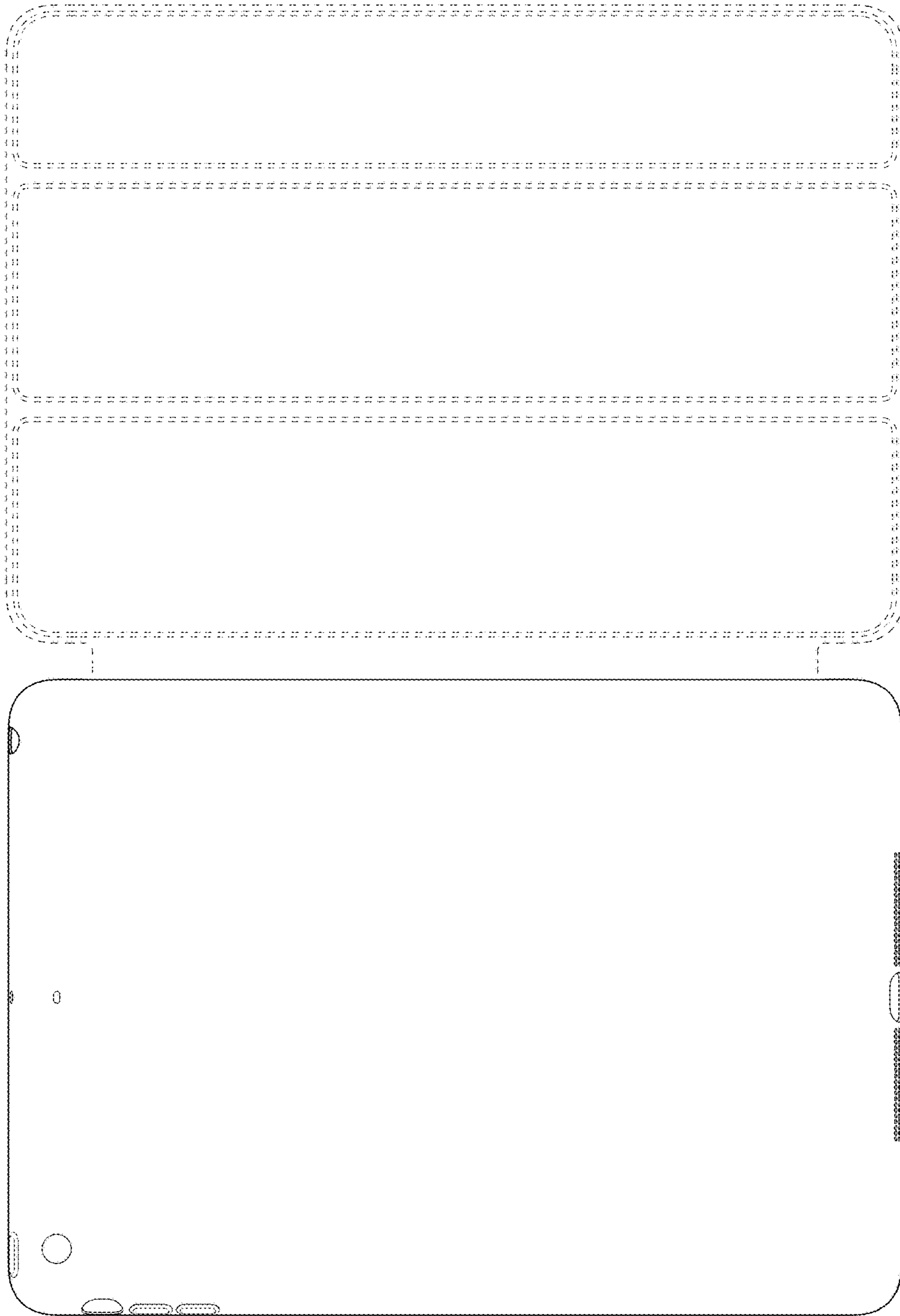


FIG. 3



FIG. 4



FIG. 5



FIG. 6

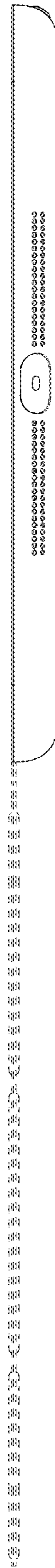


FIG. 7

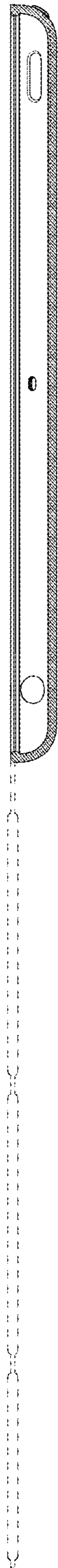


FIG. 8

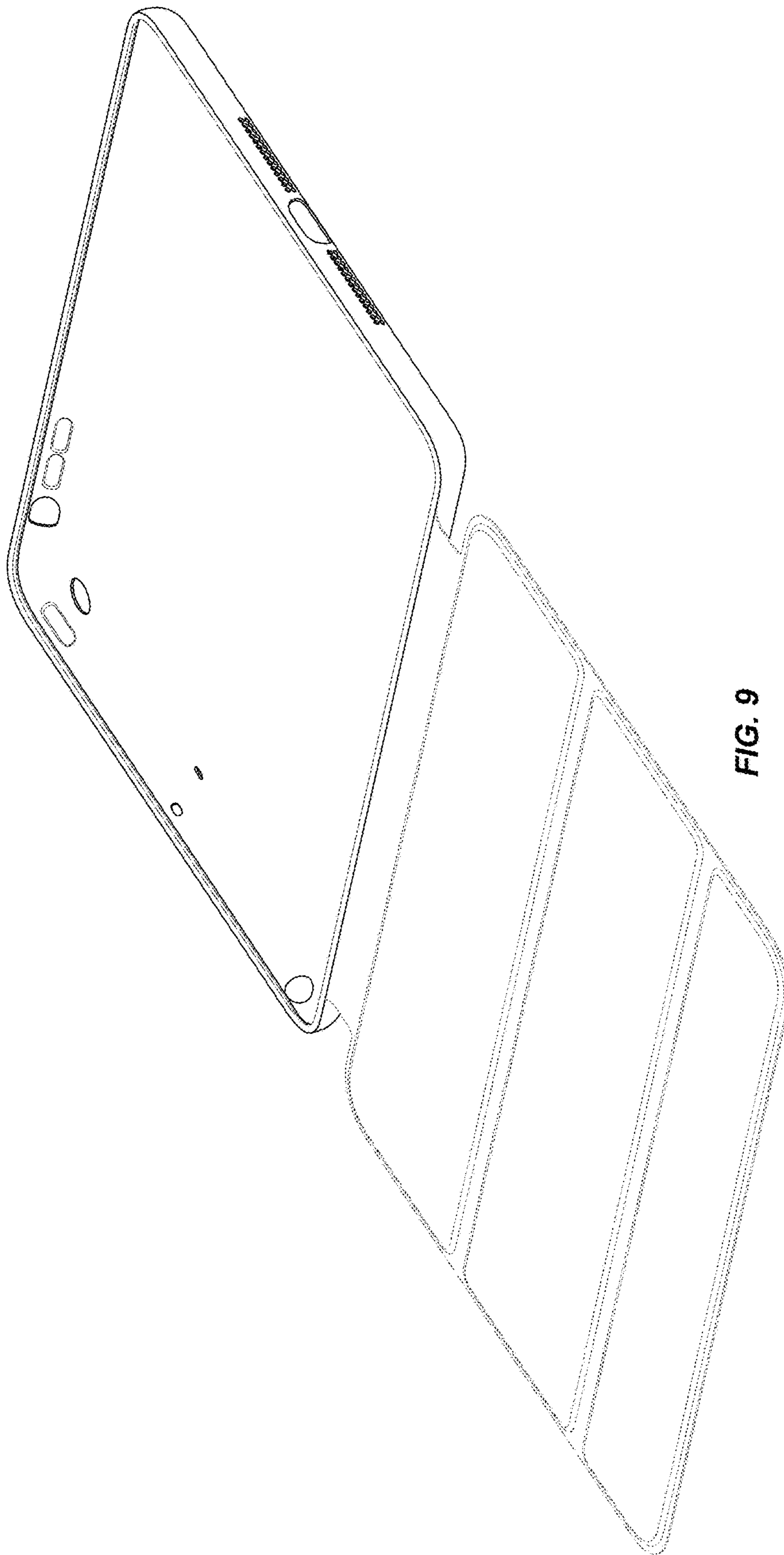


FIG. 9

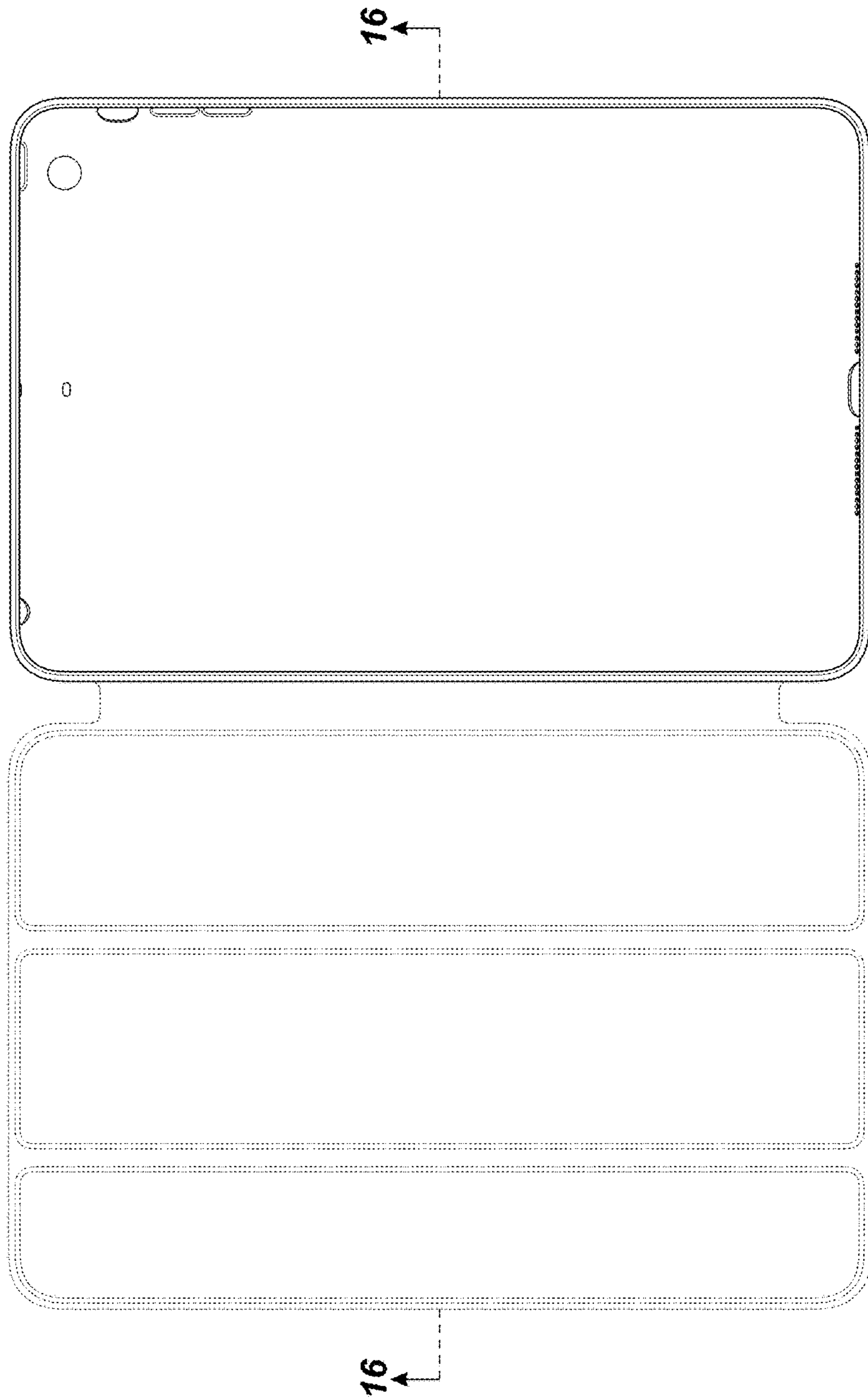


FIG. 10

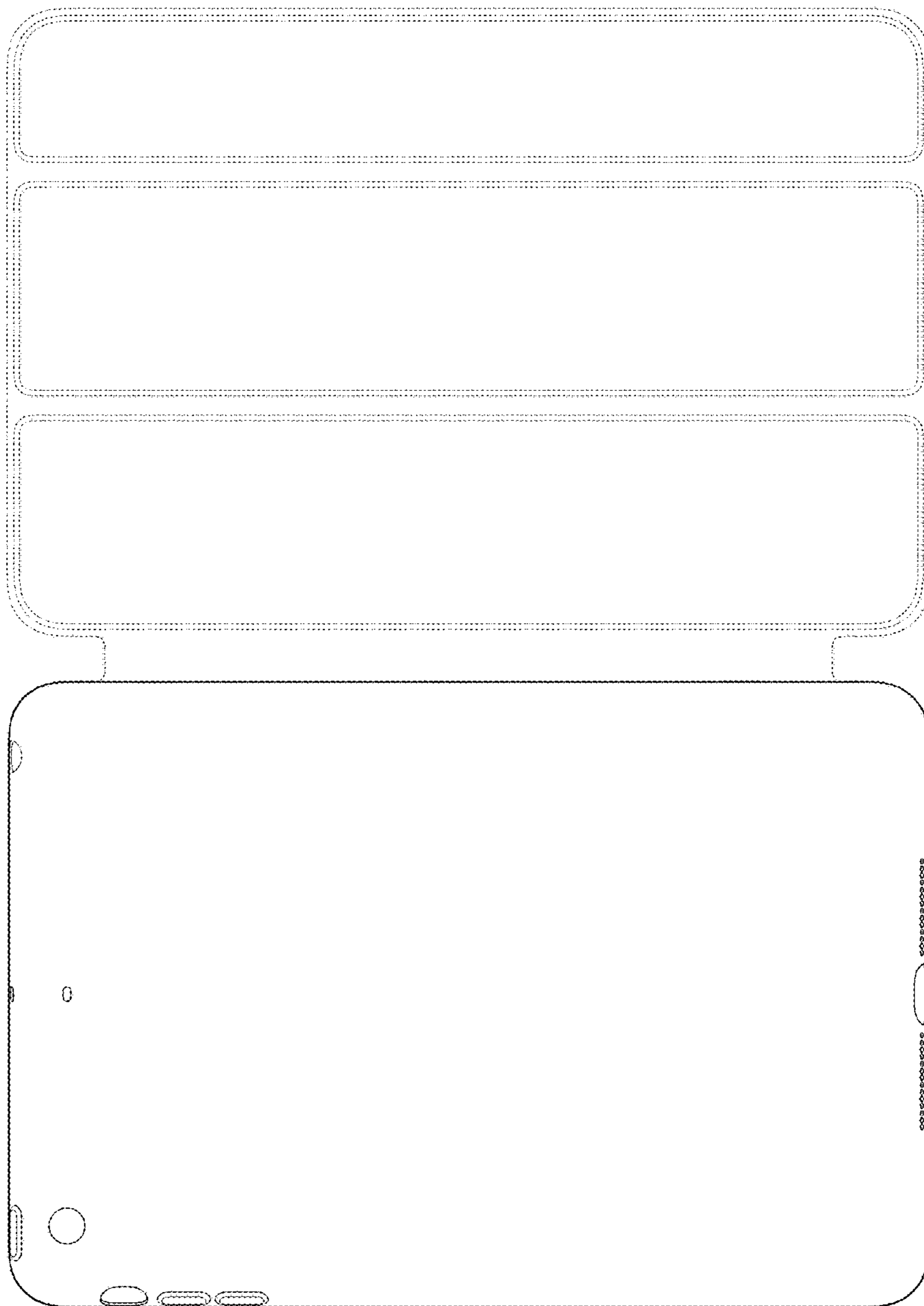


FIG. 11



FIG. 13

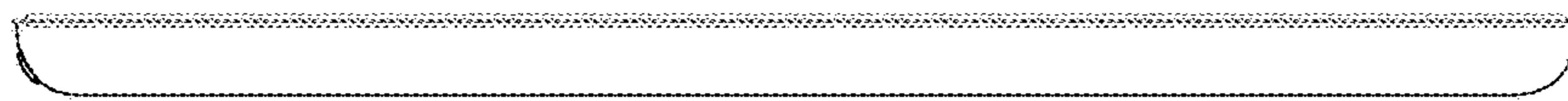


FIG. 12

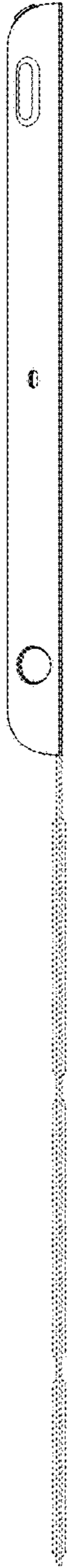


FIG. 14



FIG. 15



FIG. 16