



US00D816675S

(12) **United States Design Patent**  
**Kaiya et al.**

(10) **Patent No.:** **US D816,675 S**  
(45) **Date of Patent:** **\*\* May 1, 2018**

- (54) **MOUSE**
- (71) Applicant: **Fujitsu Frontech Limited**, Tokyo (JP)
- (72) Inventors: **Takumi Kaiya**, Tokyo (JP); **Kentaro Kasugai**, Tokyo (JP); **Hiroyuki Tanaka**, Kanagawa (JP)
- (73) Assignee: **Fujitsu Frontech Limited**, Tokyo (JP)
- (\*\*) Term: **15 Years**
- (21) Appl. No.: **29/591,008**
- (22) Filed: **Jan. 16, 2017**
- (30) **Foreign Application Priority Data**

Aug. 9, 2016 (JP) ..... 2016-17080

- (51) **LOC (11) Cl.** ..... **14-02**
- (52) **U.S. Cl.**  
USPC ..... **D14/402**
- (58) **Field of Classification Search**  
USPC ..... D14/402-411, 356, 388, 389, 383-385,  
D14/417, 426; 345/156-167; 463/36-38;  
358/471, 473; 273/148 B  
CPC ..... G06F 3/03543; G06F 2203/0333; G06F  
3/039; G06F 3/038; G06F 2203/0384  
See application file for complete search history.

(56) **References Cited**  
U.S. PATENT DOCUMENTS

D284,284 S *	6/1986	Manock	.....	D13/171
D305,331 S *	1/1990	Esslinger	.....	D14/407
D435,555 S *	12/2000	Swansey	.....	D14/402
D534,535 S *	1/2007	Tzeng	.....	D14/407
D581,416 S *	11/2008	Simonian	.....	D14/402
D590,399 S *	4/2009	Chen	.....	D14/402
D592,665 S *	5/2009	Andre	.....	D14/402

D642,570 S *	8/2011	Kujawski	.....	D14/402
D642,574 S *	8/2011	Kim	.....	D14/410
D642,576 S *	8/2011	Kim	.....	D14/410
D643,429 S *	8/2011	Ferwerda	.....	D14/407
D647,093 S *	10/2011	Kim	.....	D14/407
8,059,093 B2 *	11/2011	Chiang	.....	G06F 3/03543 345/156
D658,650 S *	5/2012	Kujawski	.....	D14/402
D726,727 S *	4/2015	Holz	.....	D14/407
D753,114 S *	4/2016	Osterhout	.....	D14/402
D757,729 S *	5/2016	Schoeck	.....	D14/407
D769,245 S *	10/2016	Lee	.....	D14/407

\* cited by examiner

*Primary Examiner* — Austin Murphy

(74) *Attorney, Agent, or Firm* — Schwegman Lundberg & Woessner, P.A.

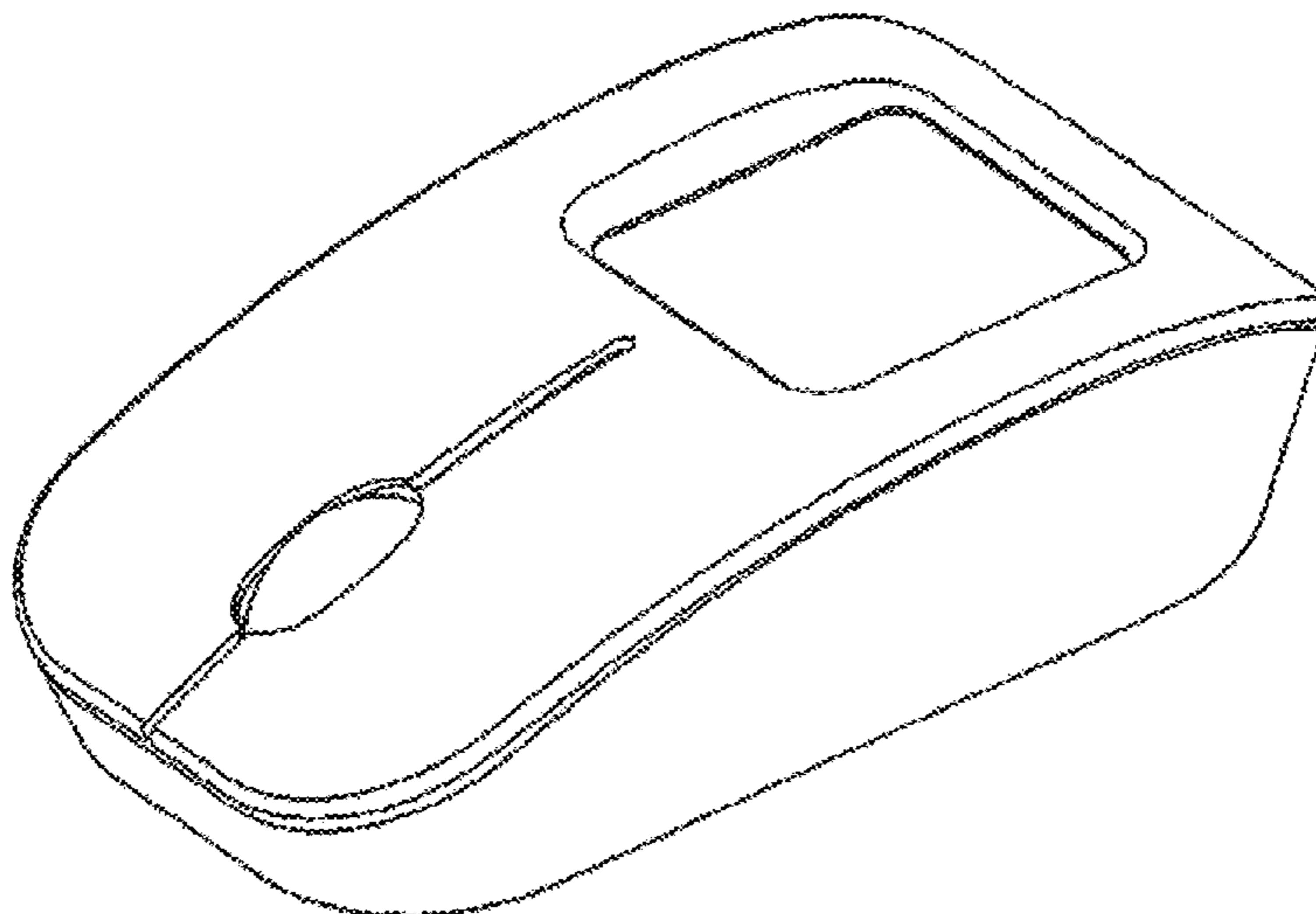
(57) **CLAIM**

The ornamental design for a mouse, as shown and described.

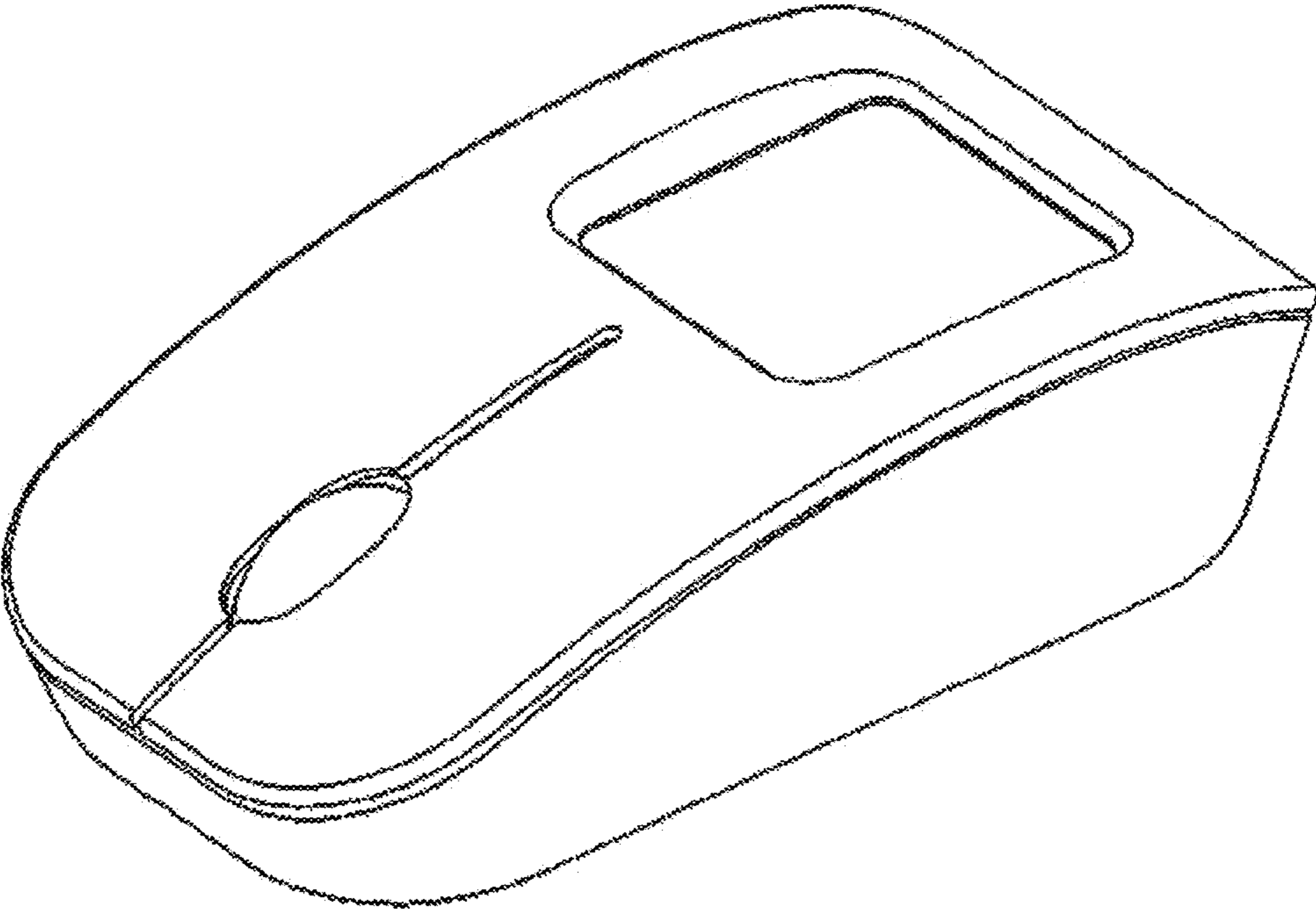
**DESCRIPTION**

FIG. 1 is a perspective view of a mouse showing our new design;  
 FIG. 2 is a front elevational view thereof;  
 FIG. 3 is a rear elevational view thereof;  
 FIG. 4 is a left side elevational view thereof; (A right side elevational view is omitted since it appears symmetrically with a left side elevational view)  
 FIG. 5 is a top plan view thereof;  
 FIG. 6 is a bottom plan view thereof;  
 FIG. 7 is a VII-VII cross-sectional view with internal mechanism omitted therefrom; and,  
 FIG. 8 is a VIII-VIII cross-sectional view with internal mechanism omitted therefrom.  
 The features shown in broken lines depict environmental subject matter only and form no part of the claimed design.

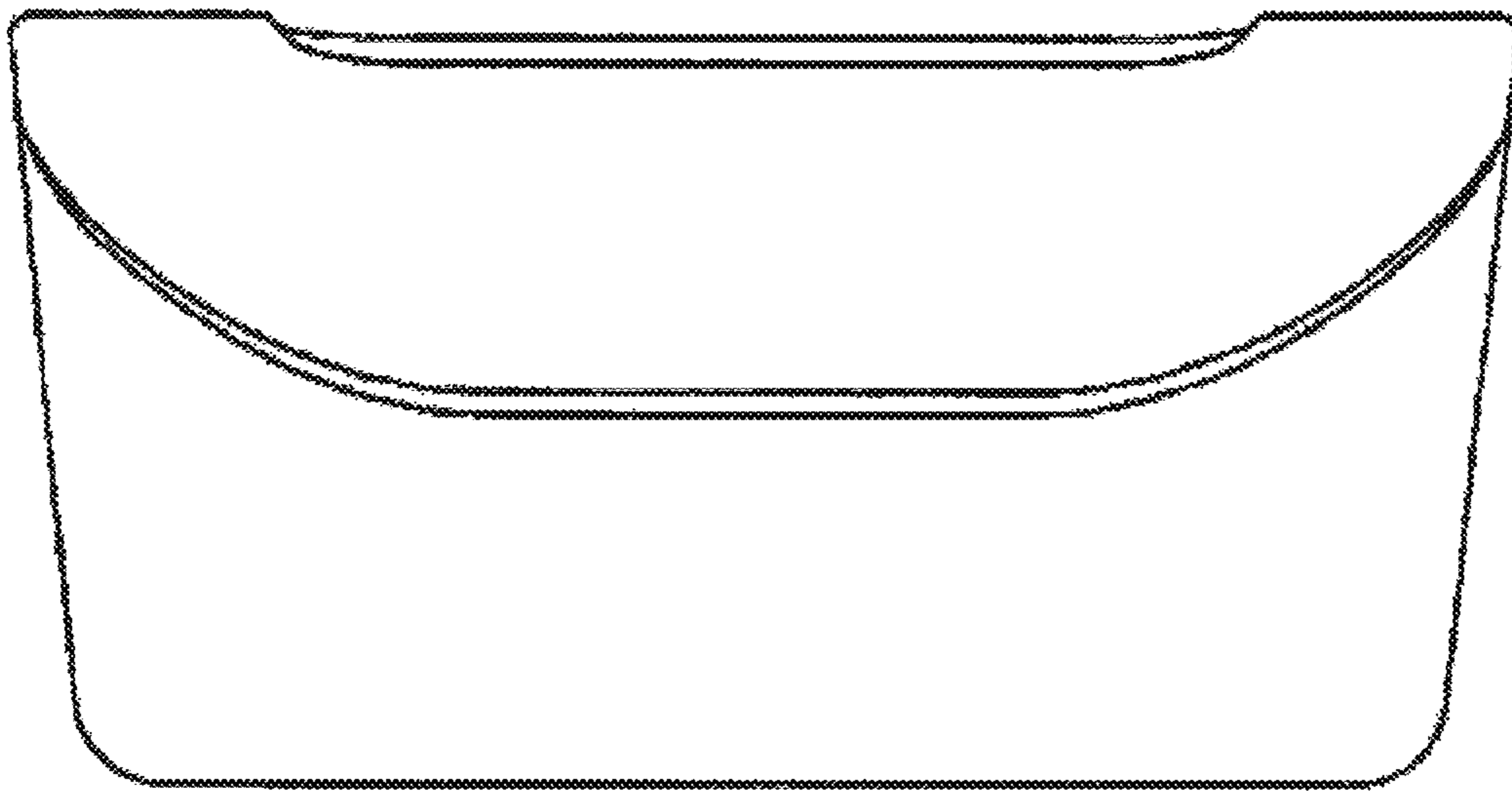
**1 Claim, 8 Drawing Sheets**



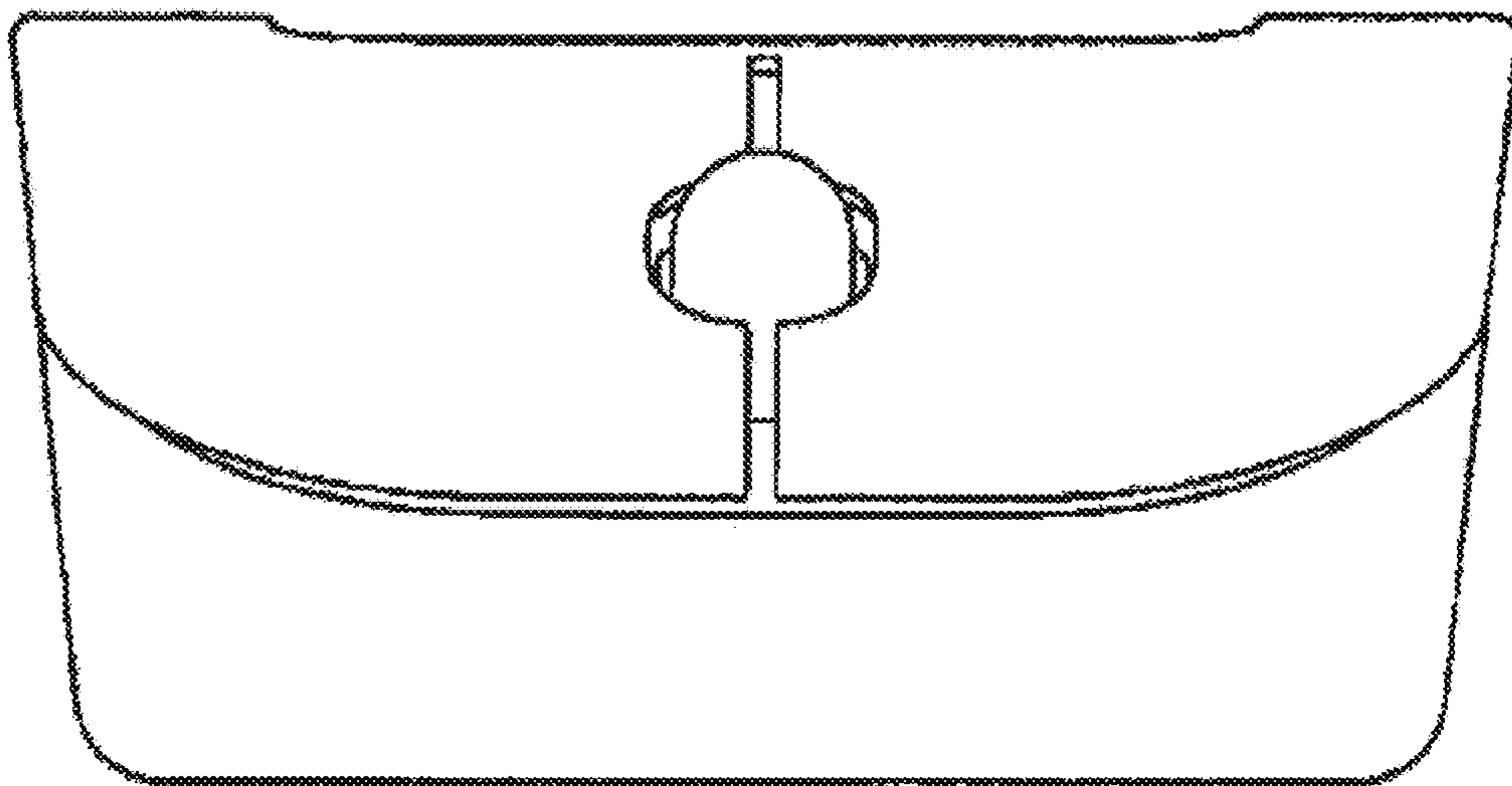
[FIG. 1]



[FIG. 2]



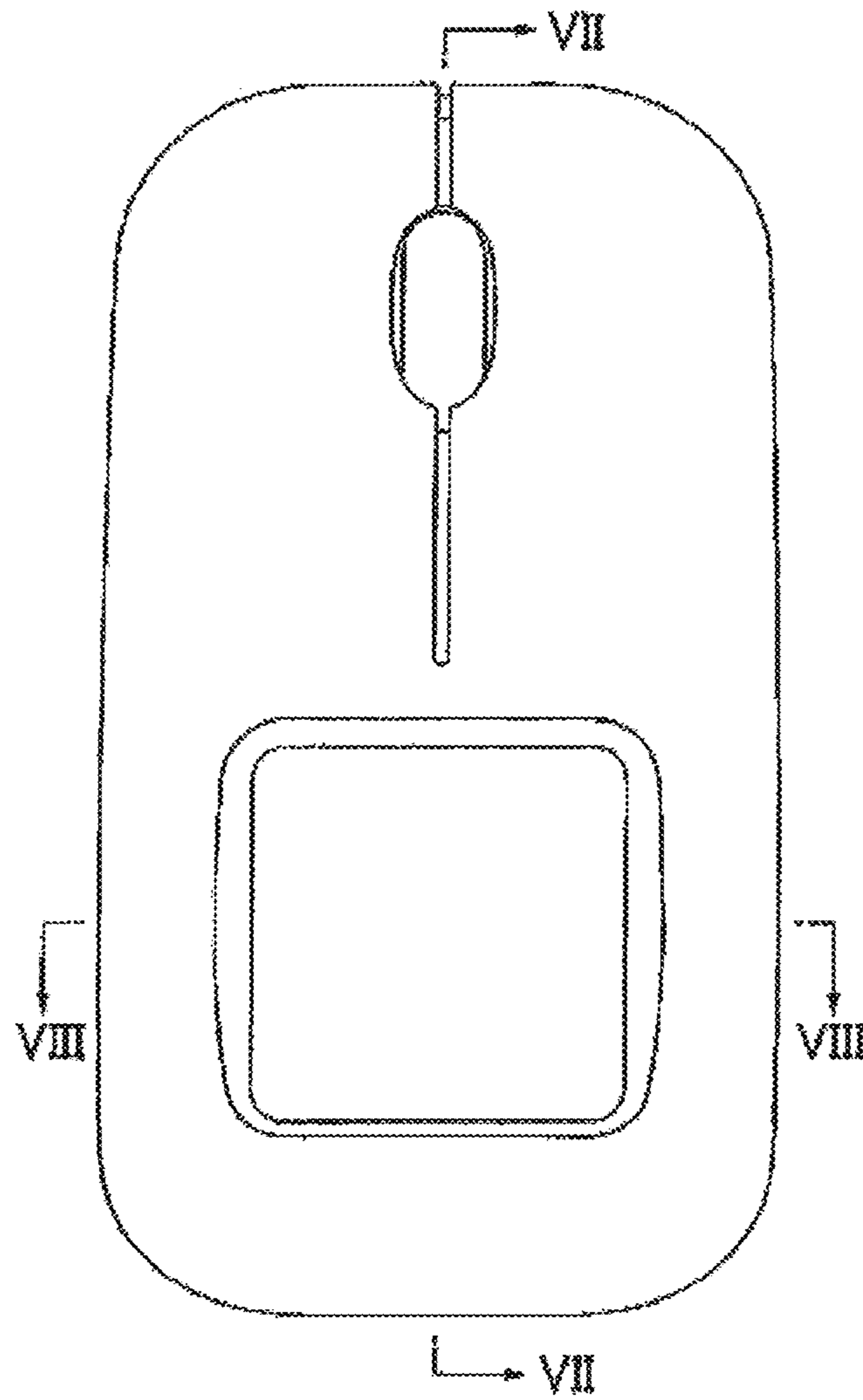
[FIG. 3]



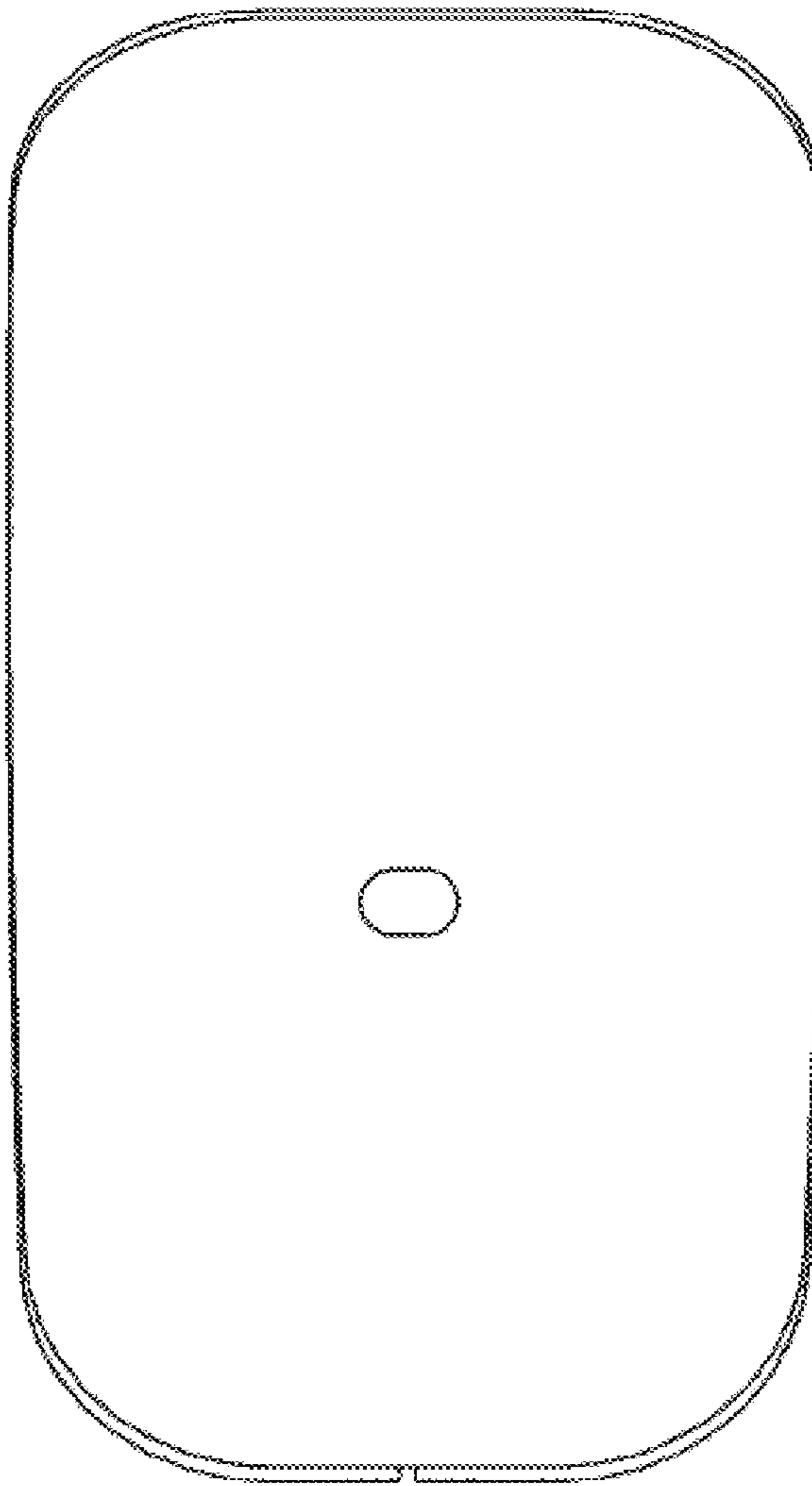
[FIG. 4]



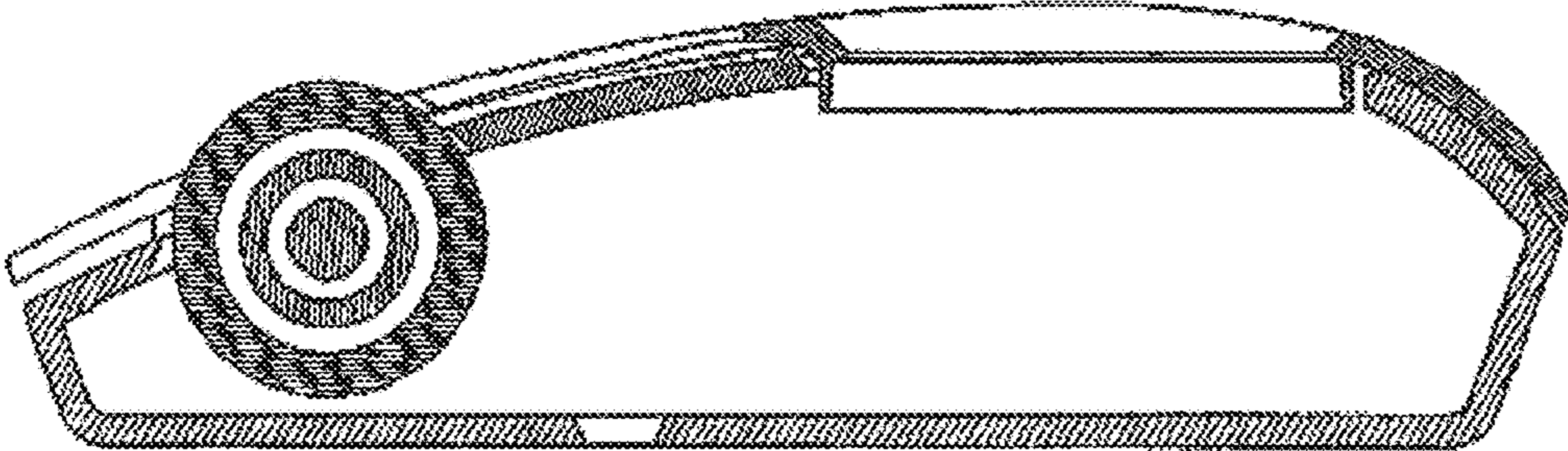
[FIG. 5]



[FIG. 6]



[FIG. 7]





[FIG. 8]

