

US00D816673S

(12) **United States Design Patent** (10) **Patent No.:** **US D816,673 S**
Lim et al. (45) **Date of Patent:** **** May 1, 2018**

(54) **MONITOR**

(56) **References Cited**

(71) Applicant: **LG ELECTRONICS INC.**, Seoul (KR)

U.S. PATENT DOCUMENTS

(72) Inventors: **Jaewon Lim**, Seoul (KR); **Yihyun Moon**, Seoul (KR)

D645,465 S *	9/2011	Lin	D14/341
D664,955 S *	8/2012	Kim	D14/341
D669,470 S *	10/2012	Zha	D14/341
D678,875 S *	3/2013	Chen	D14/341
D711,371 S *	8/2014	Chen	D14/341
D715,301 S *	10/2014	Ashcraft	D14/439
D732,017 S *	6/2015	Yun	D14/341
D732,020 S *	6/2015	Seoc	D14/341
D737,270 S *	8/2015	Young	D14/341
D738,875 S *	9/2015	Seoc	D14/341
D749,070 S *	2/2016	Oh	D14/341
D768,619 S *	10/2016	Akana	D14/315
D778,855 S *	2/2017	Lee	D14/126
D805,050 S *	12/2017	Lim	D14/126
D805,490 S *	12/2017	Lim	D14/126

(73) Assignee: **LG Electronics Inc.**, Seoul (KR)

(**) Term: **15 Years**

(21) Appl. No.: **35/502,449**

(22) Filed: **Aug. 12, 2016**

(80) **Hague Agreement Data**

Int. Filing Date: **Aug. 12, 2016**
Int. Reg. No.: **DM/093729**
Int. Reg. Date: **Aug. 12, 2016**
Int. Reg. Pub. Date: **Feb. 17, 2017**

* cited by examiner

Primary Examiner — Barbara Fox

Assistant Examiner — Dana K Weiland

(74) *Attorney, Agent, or Firm* — Birch, Stewart, Kolasch & Birch, LLP

(30) **Foreign Application Priority Data**

Feb. 18, 2016 (KR) 30-2016-0007509

(51) **LOC (11) Cl.** **14-02**

(52) **U.S. Cl.**
USPC **D14/374; D14/126**

(58) **Field of Classification Search**
USPC D14/125, 126, 133, 239, 336, 371, D14/374-377, 447, 448, 450, 138 AA, D14/138 AB, 138 AC, 138 AD, 138 C, D14/138 G, 138 R, 248, 341, 203.1, D14/203.3, 203.7, 250, 315-318, D14/388-389; D10/50; D21/325, 329
CPC G06F 1/1613; G06F 3/04883; G06F 3/016; H04M 1/0218; H04M 1/0268; H04M 1/027; H04M 1/0202; H04M 1/0279; H04M 1/0235; H04M 1/0237; H04M 1/0239; H04M 1/0266; H04M 1/0295; H04N 5/64; H04N 5/915

See application file for complete search history.

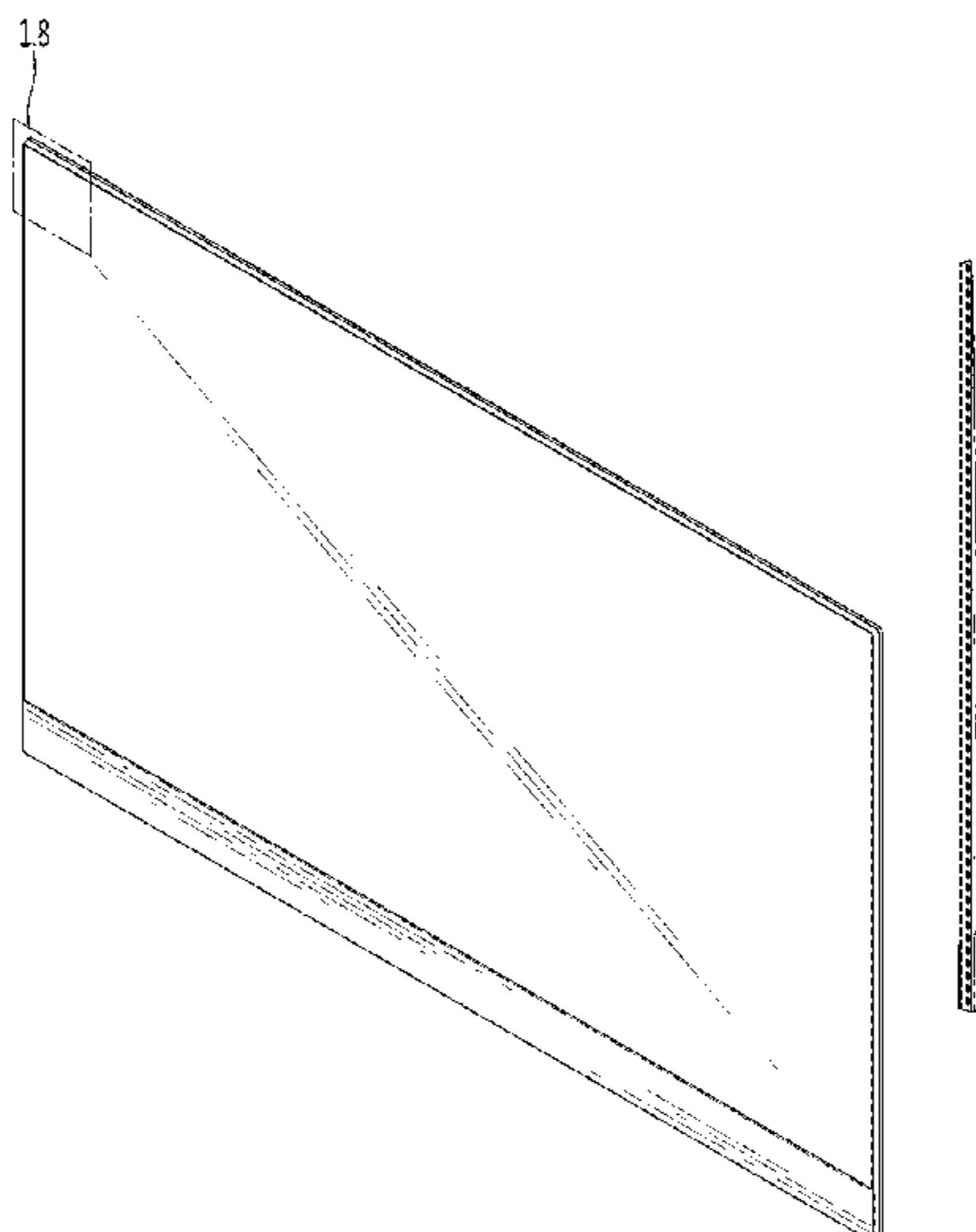
(57) **CLAIM**

The ornamental design for a monitor, as shown and described.

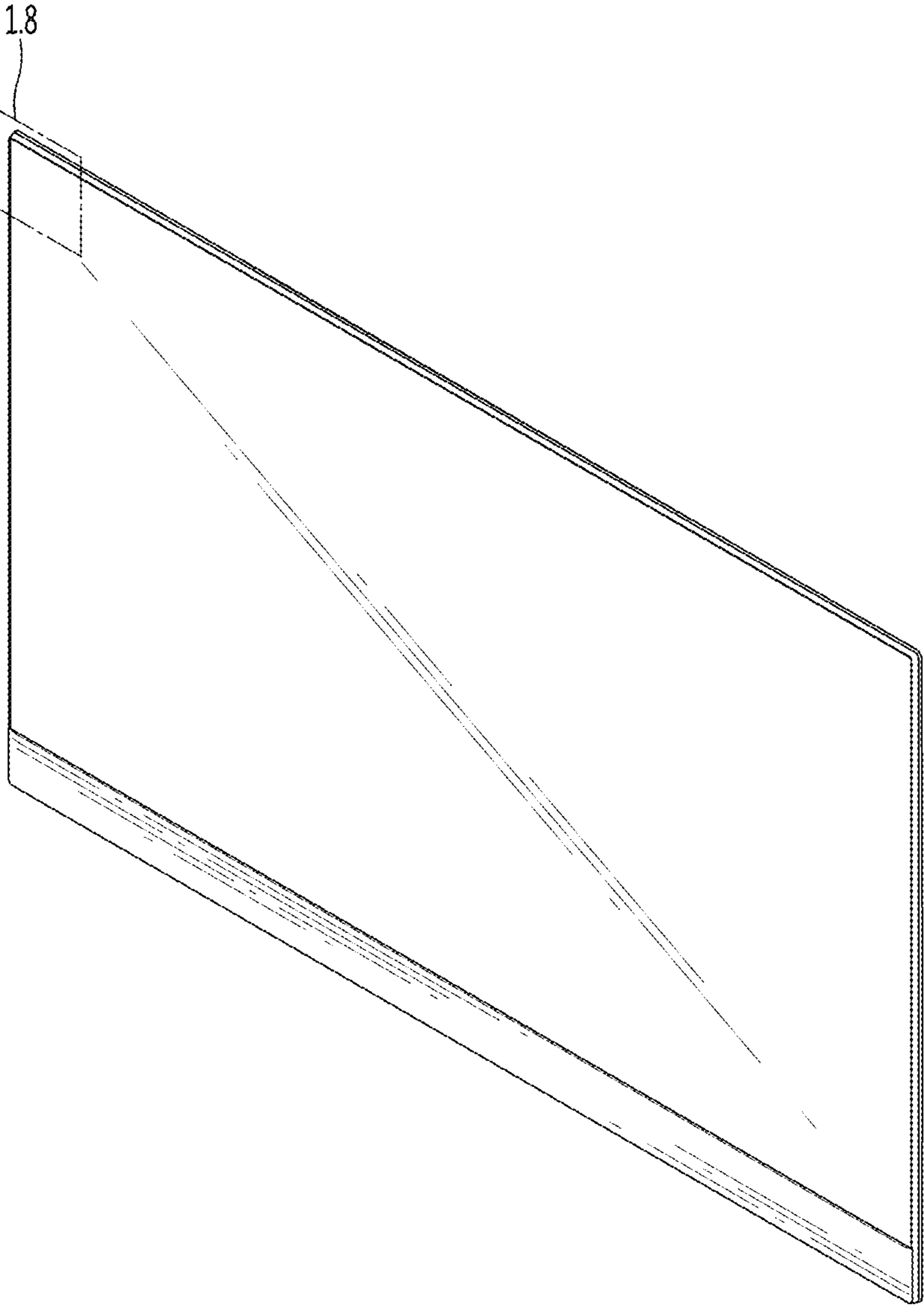
DESCRIPTION

- 1. Monitor
- 1.1 : Perspective
- 1.2 : Front
- 1.3 : Back
- 1.4 : Left
- 1.5 : Right
- 1.6 : Top
- 1.7 : Bottom
- 1.8 : Enlarged
- 1.9 : Enlarged

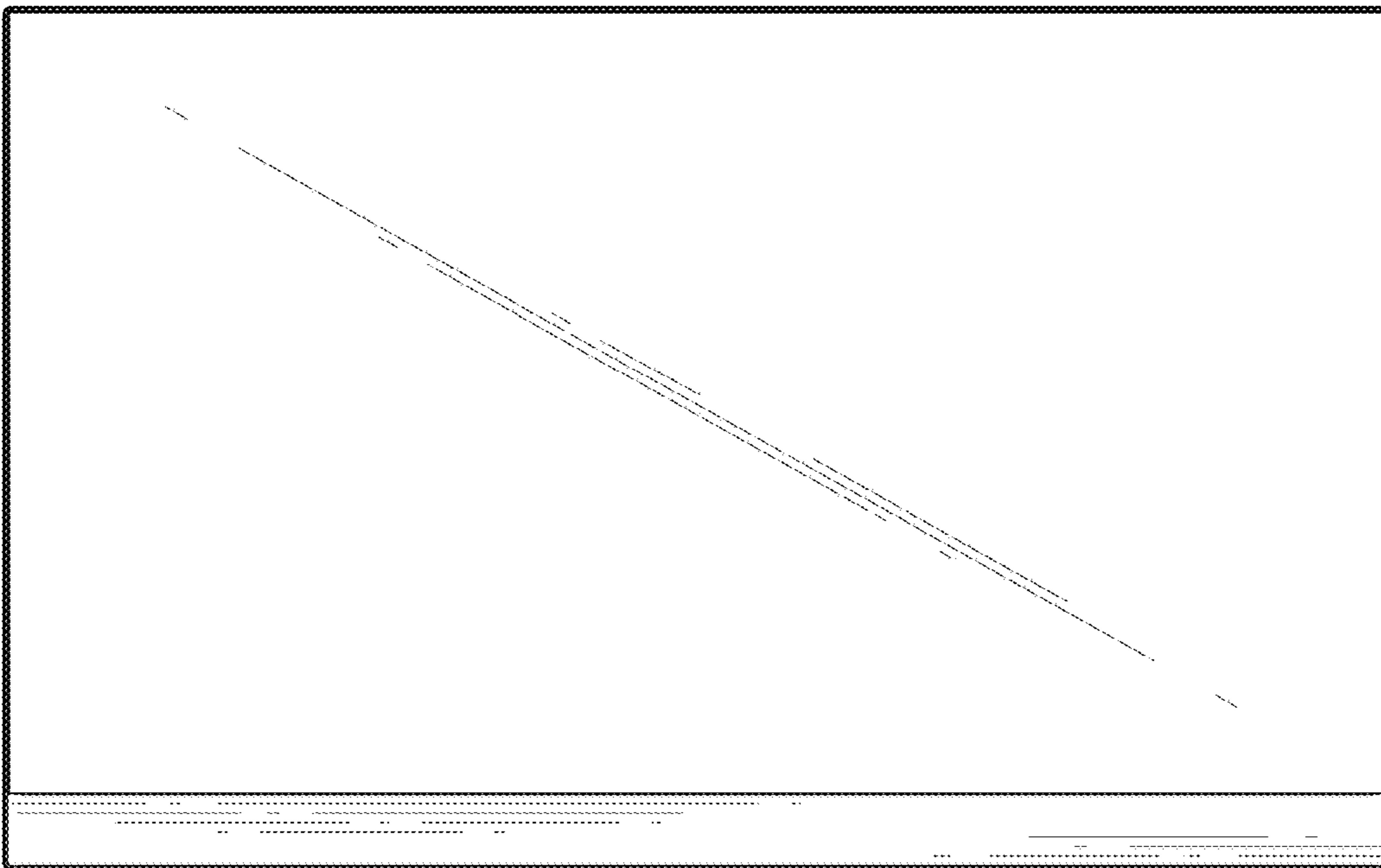
1 Claim, 8 Drawing Sheets



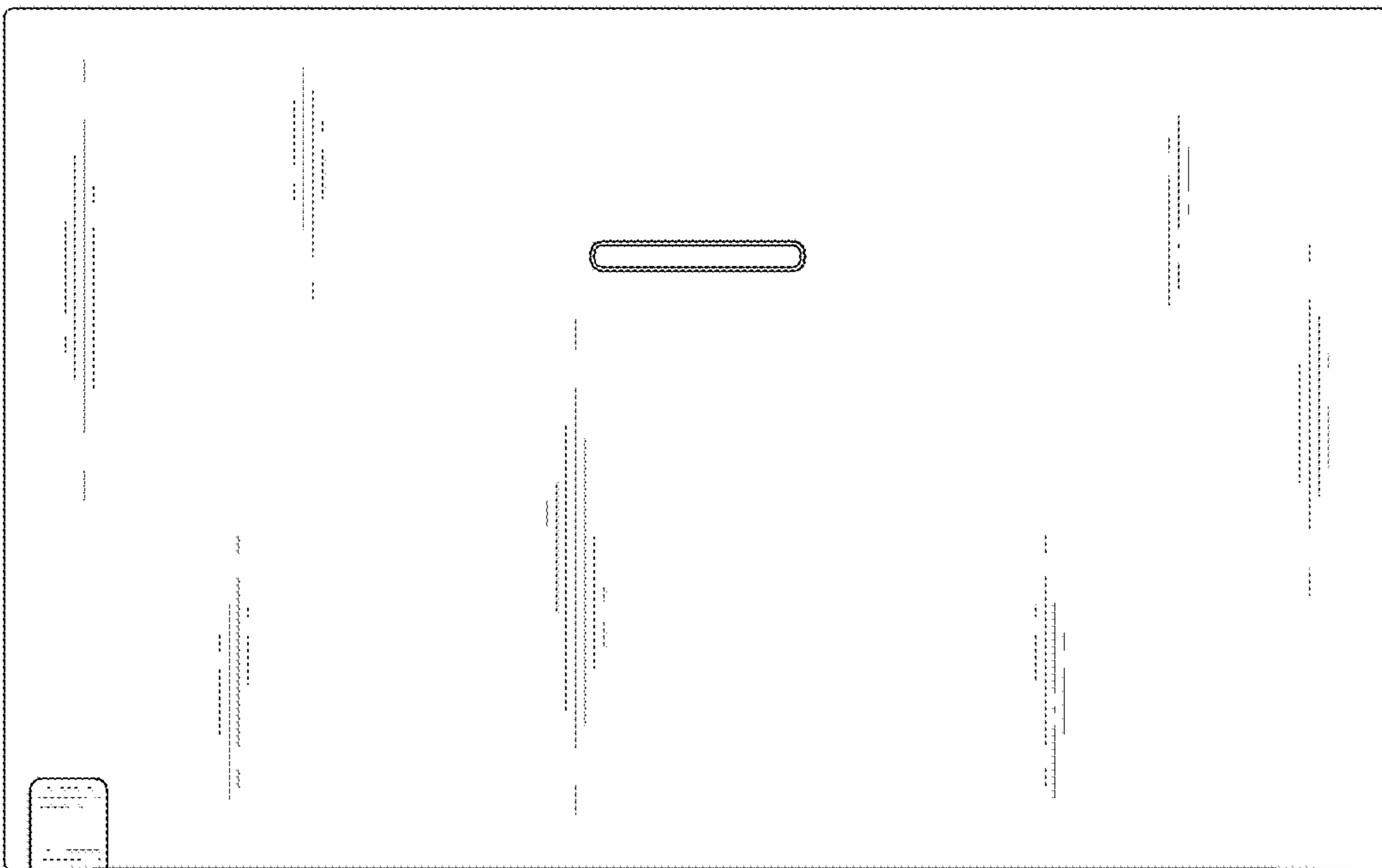
1.1



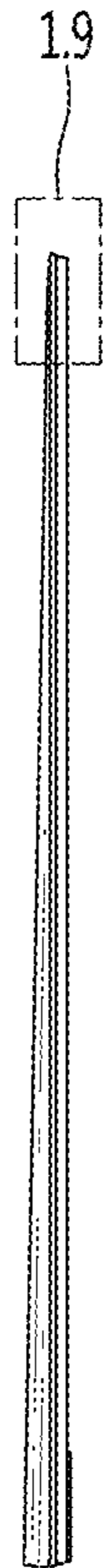
1.2



1.3



1.4



1.5



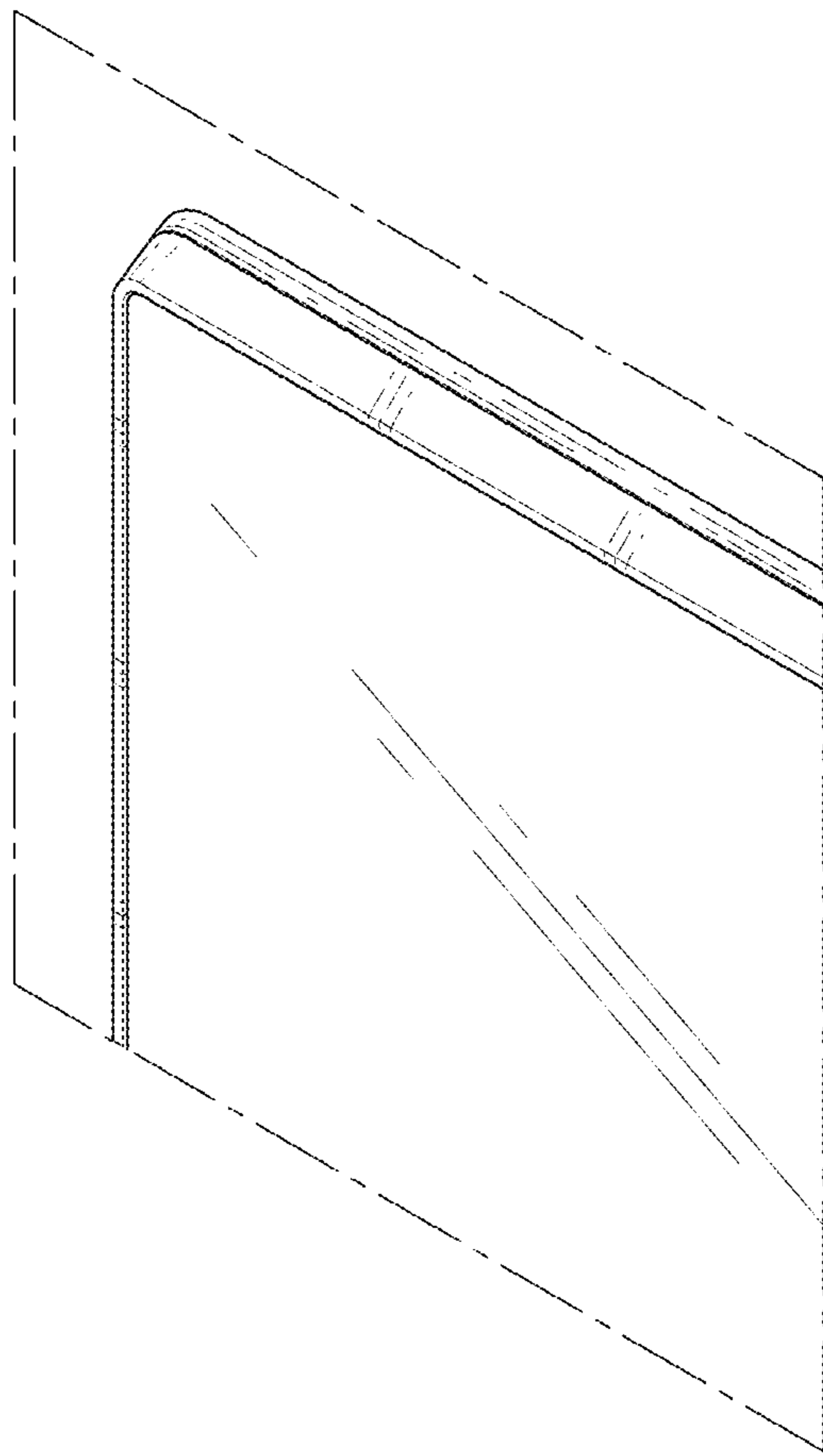
1.6



1.7



1.8



1.9

