



US00D816671S

(12) **United States Design Patent**  
**Jung et al.**

(10) **Patent No.:** **US D816,671 S**

(45) **Date of Patent:** **\*\* May 1, 2018**

(54) **MONITOR FOR COMPUTER**

(71) Applicant: **Samsung Electronics Co., Ltd.**,  
Suwon-si (KR)

(72) Inventors: **Minjoon Jung**, Seoul (KR); **Taeyeon Won**, Seoul (KR)

(73) Assignee: **SAMSUNG ELECTRONICS CO., LTD.**, Gyeonggi-Do (KR)

(\*\*) Term: **15 Years**

(21) Appl. No.: **29/594,586**

(22) Filed: **Feb. 21, 2017**

(30) **Foreign Application Priority Data**

Aug. 30, 2016 (KR) ..... 30-2016-0042462

(51) **LOC (11) Cl.** ..... **14-02**

(52) **U.S. Cl.**  
USPC ..... **D14/374**

(58) **Field of Classification Search**

USPC ..... D14/371-375, 125-129, 336, 337;  
D6/300, 308; D19/113, 114; D20/10  
CPC ..... G09F 15/0025; G09F 15/0062; G09F  
15/0068; G06F 1/16; G06F 1/1613; G06F  
1/133308; G06F 1/1601; G06F 3/037;  
G06F 1/162; F16M 11/02; F16M 11/10;  
F16M 11/00; F16M 11/06; F16M 11/18;  
F16M 11/045; F16M 11/105; F16M  
11/041; F16M 11/126; F16M 11/04;  
F16M 11/24; F16M 13/02; A47F 5/00

See application file for complete search history.

(56) **References Cited**

**U.S. PATENT DOCUMENTS**

D501,854 S \* 2/2005 Vick ..... D14/375  
D523,856 S \* 6/2006 Phipps ..... D14/375  
D599,756 S \* 9/2009 Yokota ..... D14/126

D602,453 S \* 10/2009 Ding ..... D14/126  
D618,682 S \* 6/2010 Haase et al.  
D719,116 S \* 12/2014 Bang ..... D14/126  
D725,061 S \* 3/2015 Kim ..... D14/126  
D735,194 S \* 7/2015 Kim ..... D14/374  
D740,241 S \* 10/2015 Kim ..... D14/126  
D740,242 S \* 10/2015 Park ..... D14/126  
D743,705 S \* 11/2015 Cisler, II ..... D6/300  
D755,143 S \* 5/2016 Moon ..... D14/126  
D763,213 S \* 8/2016 Ann ..... D14/126  
D768,629 S \* 10/2016 Bae ..... D14/374

(Continued)

**FOREIGN PATENT DOCUMENTS**

EM 0022666350002 A1 8/2013  
KR 300752298 S 7/2014

*Primary Examiner* — Freda S Nunn

(74) *Attorney, Agent, or Firm* — Cantor Colburn LLP

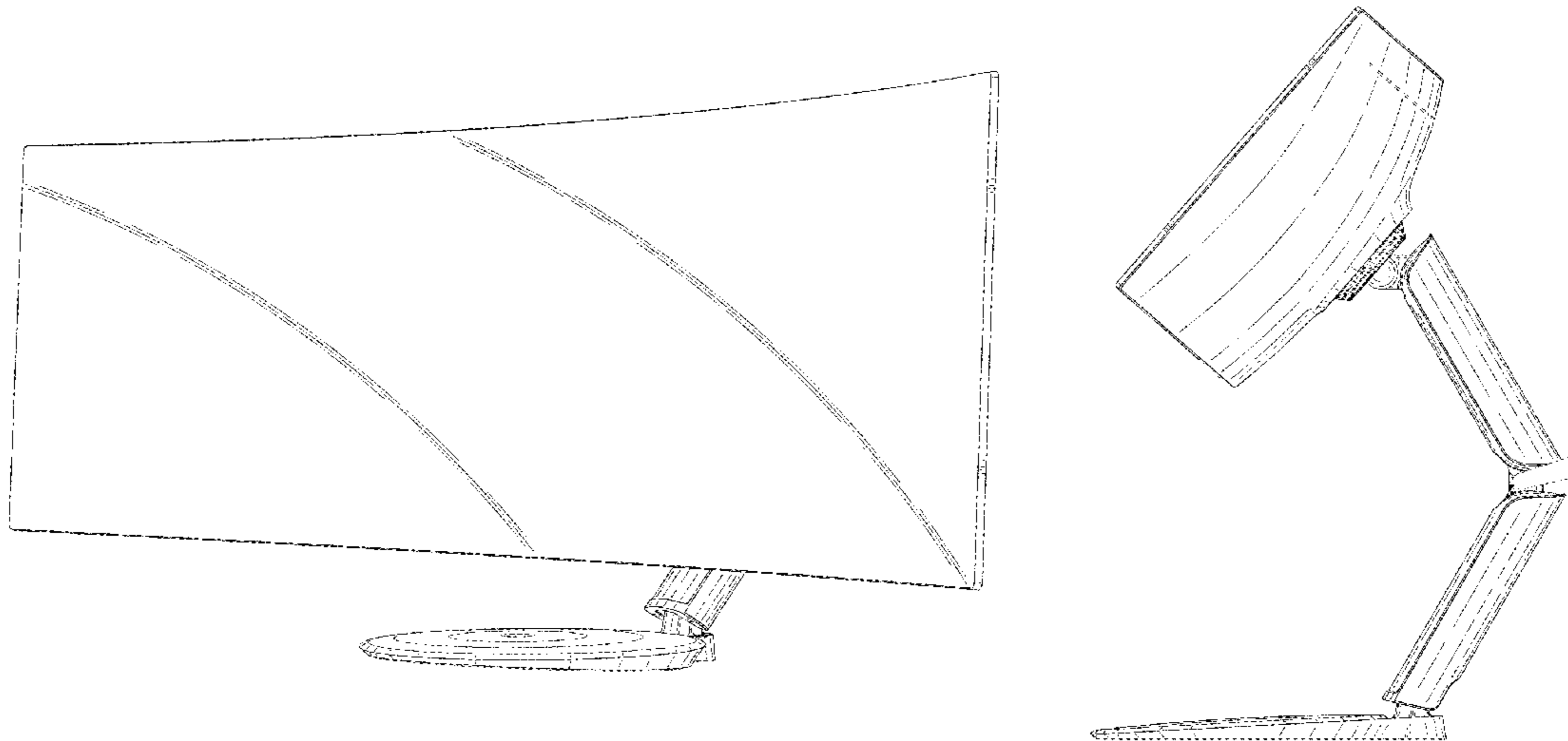
(57) **CLAIM**

The ornamental design for a monitor for computer, as shown and described.

**DESCRIPTION**

FIG. 1 is a front perspective view of a monitor for computer showing our new design;  
FIG. 2 is a front view thereof;  
FIG. 3 is a rear view thereof;  
FIG. 4 is a left-side view thereof;  
FIG. 5 is a right-side view thereof;  
FIG. 6 is a top view thereof;  
FIG. 7 is a bottom view thereof;  
FIG. 8 is a rear perspective view thereof;  
FIG. 9 is the right-side view thereof, as shown in an alternate configuration; and,  
FIG. 10 is the right-side view thereof, as shown in another alternate configuration.  
The broken lines illustrating portions of the monitor for computer form no part of the claimed design.

**1 Claim, 9 Drawing Sheets**



(56)

**References Cited**

U.S. PATENT DOCUMENTS

2008/0019088 A1\* 1/2008 Williams ..... F16M 11/046  
361/679.1  
2011/0096486 A1\* 4/2011 Oh ..... F16M 11/10  
361/679.21  
2014/0355805 A1\* 12/2014 Park ..... H04N 5/64  
381/333  
2015/0035812 A1\* 2/2015 Shin ..... G09G 3/3688  
345/204  
2015/0192731 A1\* 7/2015 Kim ..... G02B 6/0011  
362/628  
2016/0062184 A1\* 3/2016 Wu ..... G02F 1/133608  
349/58  
2016/0183399 A1\* 6/2016 Lee ..... G02F 1/133308  
361/752  
2016/0216432 A1\* 7/2016 Kim ..... G02B 6/0035  
2016/0216435 A1\* 7/2016 Park ..... G02B 6/0078

\* cited by examiner

FIG. 1

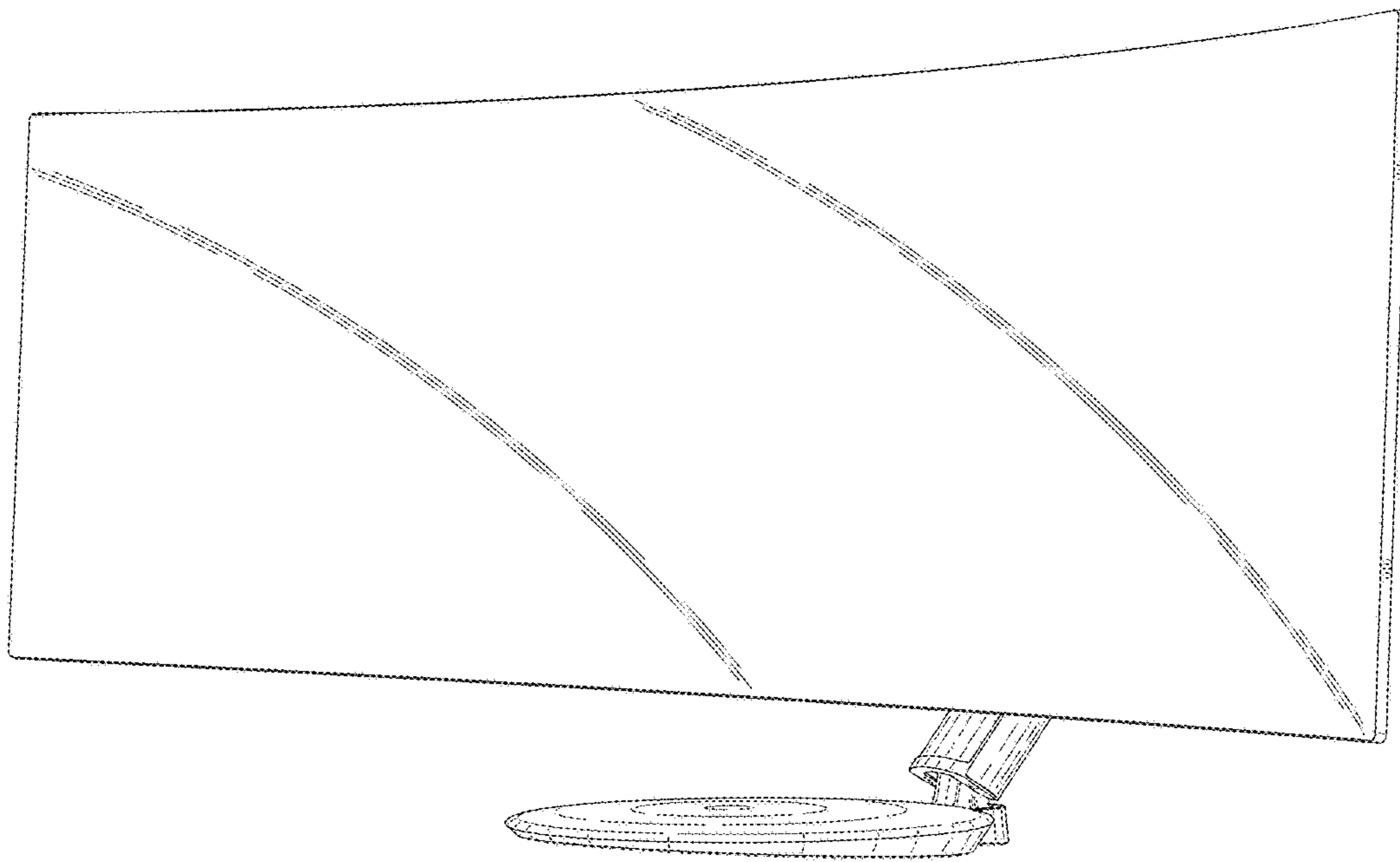


FIG. 2

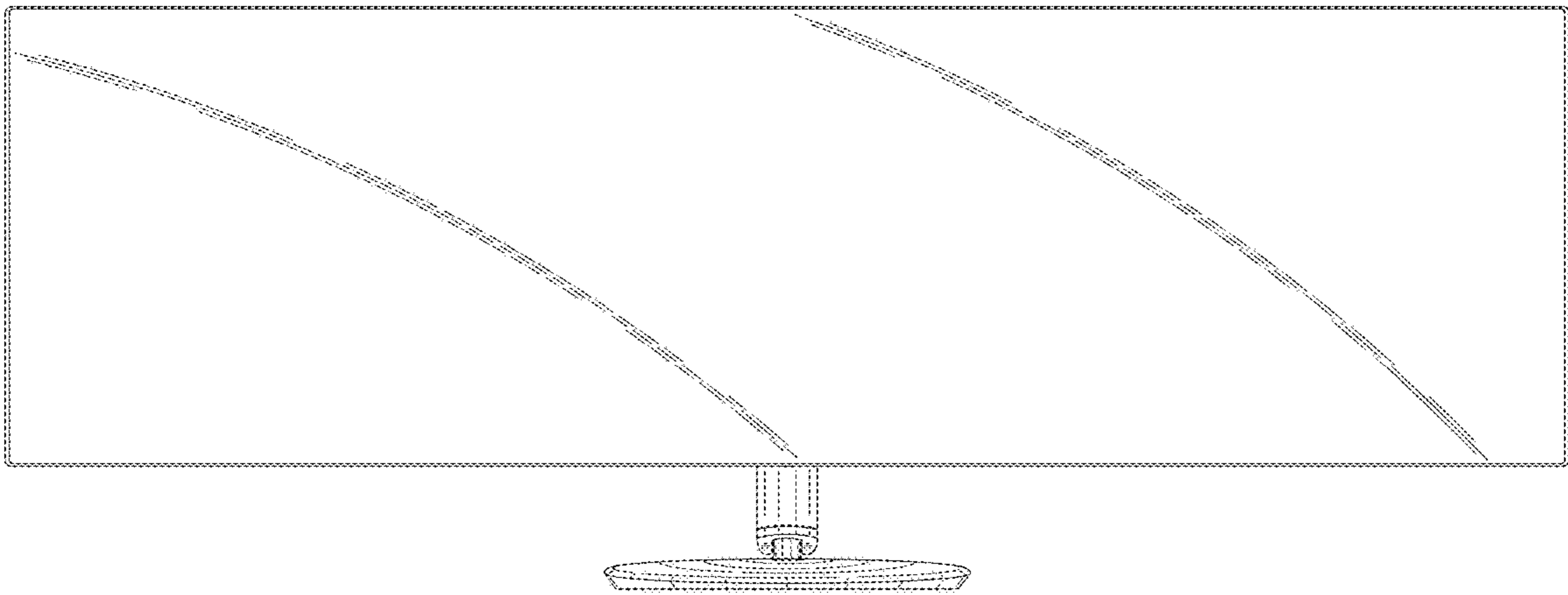


FIG. 3

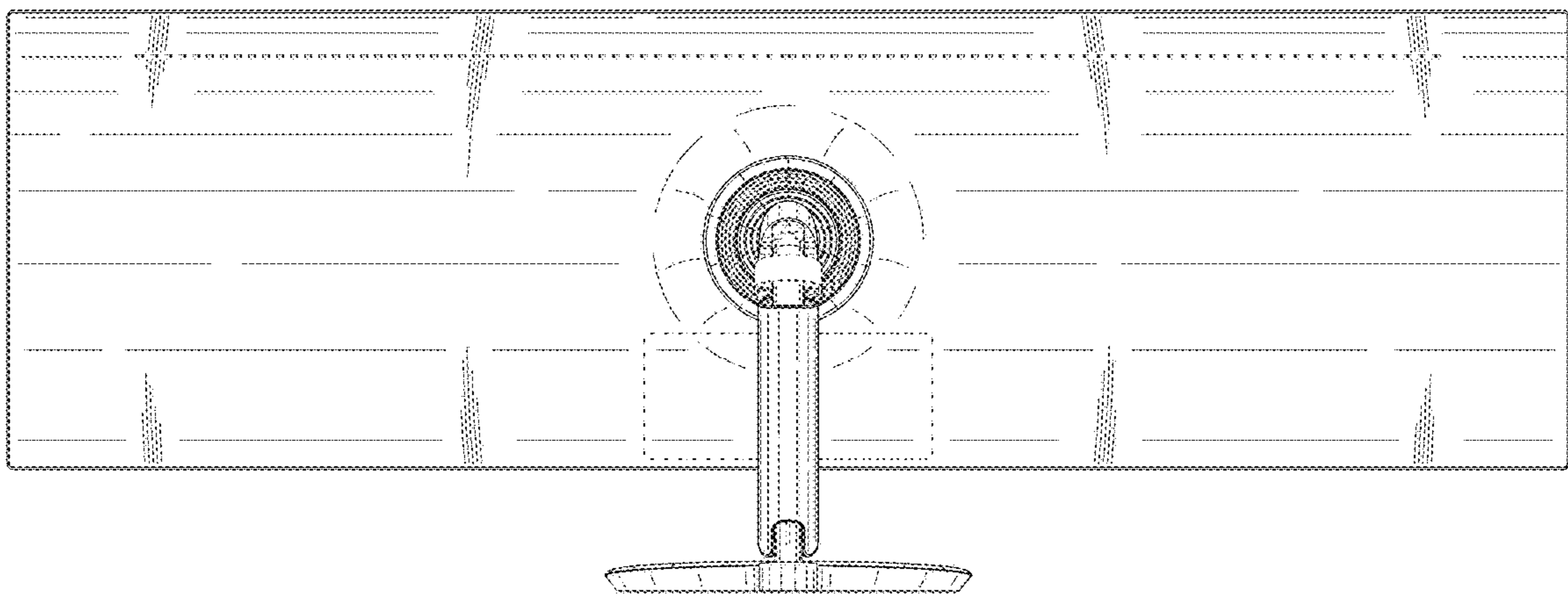


FIG. 4

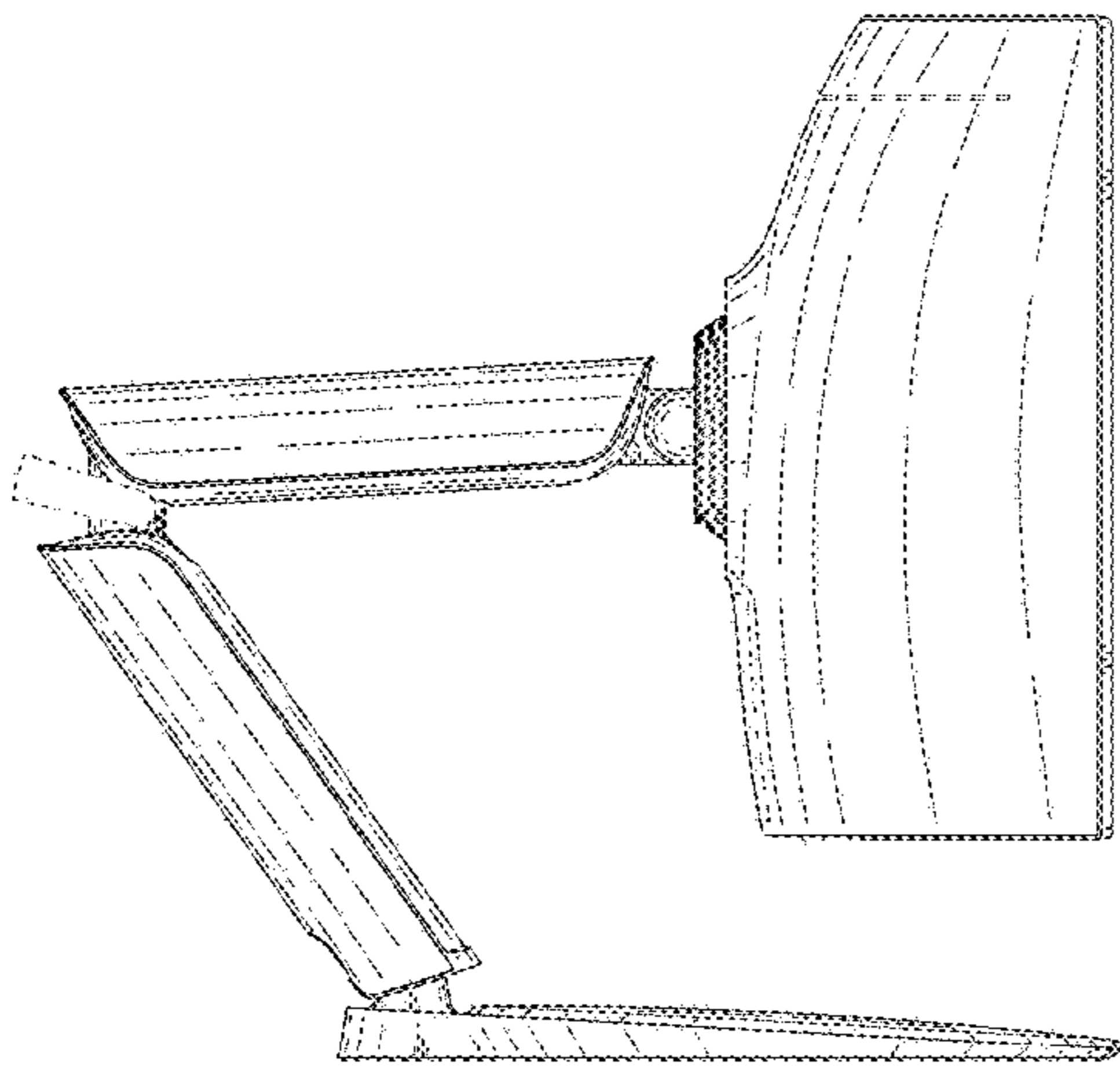


FIG. 5

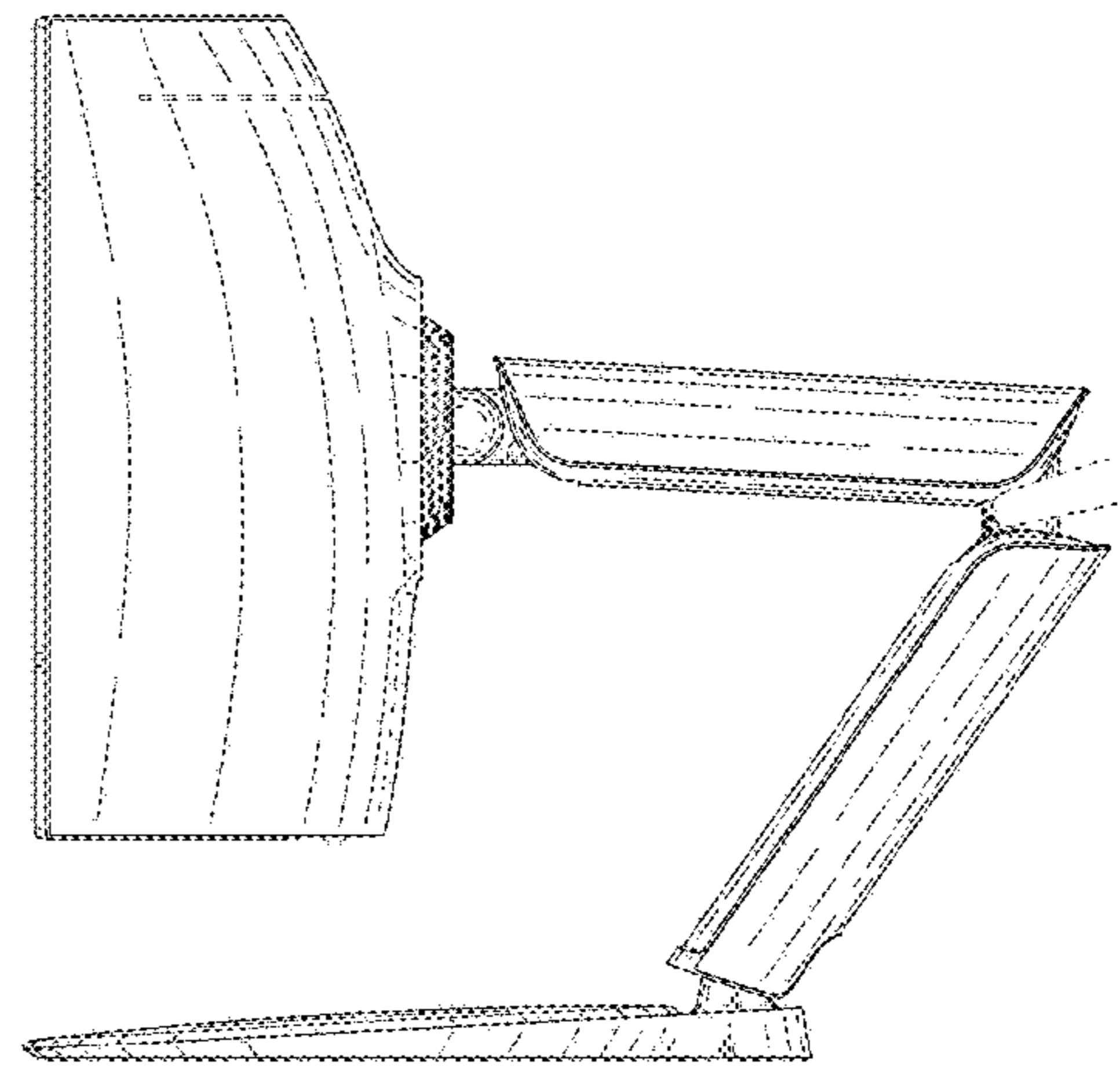




FIG.6

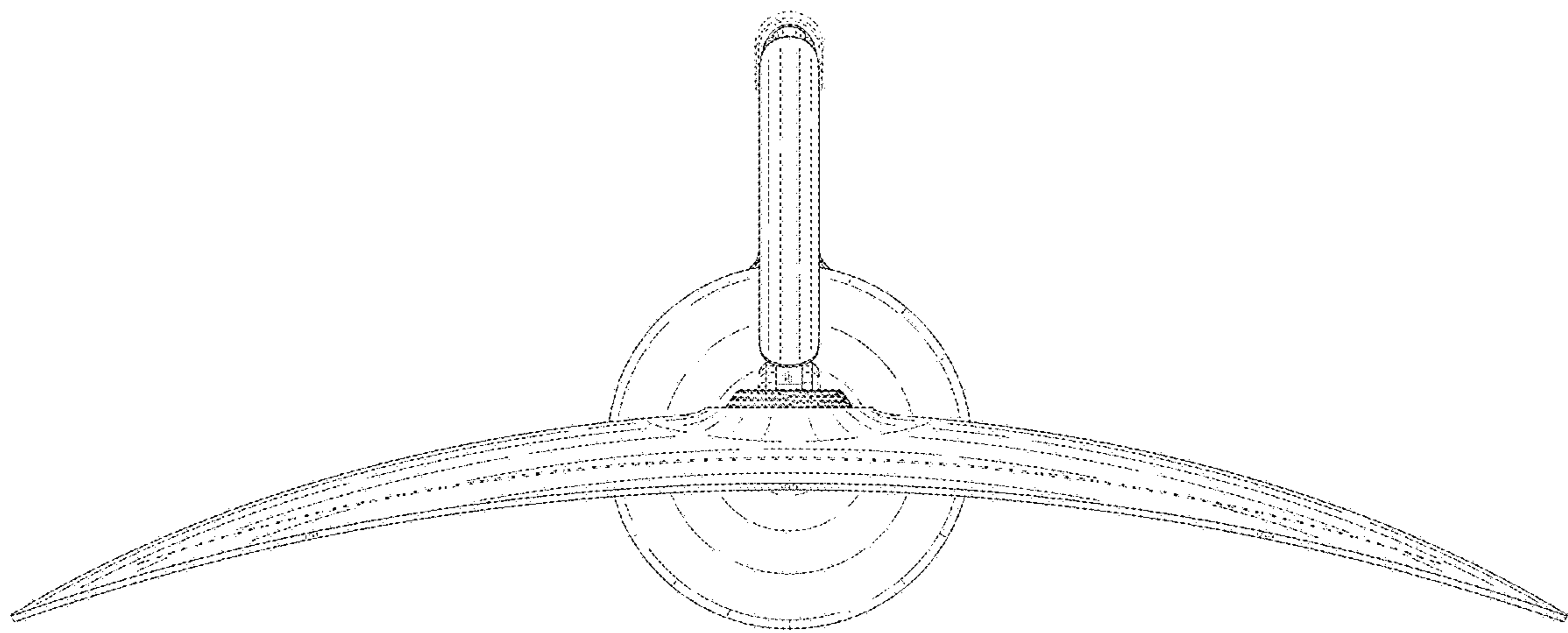


FIG. 7

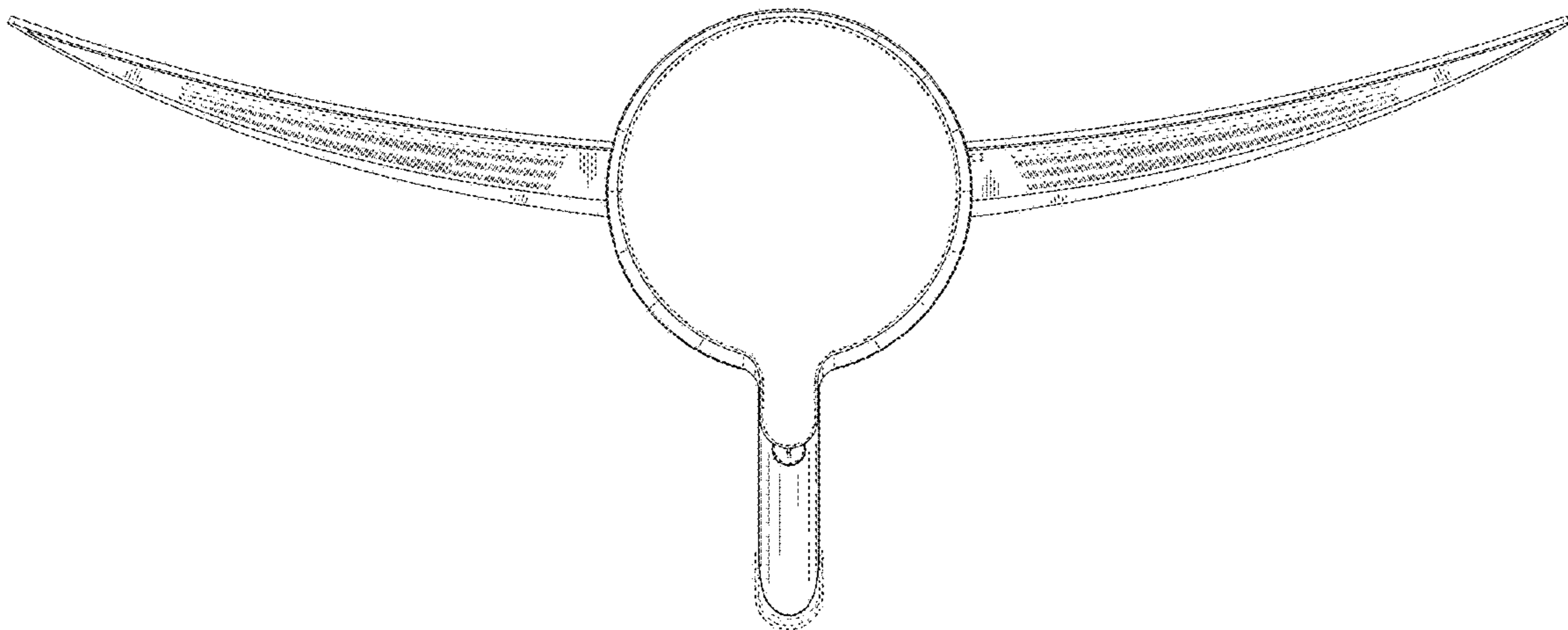




FIG. 8

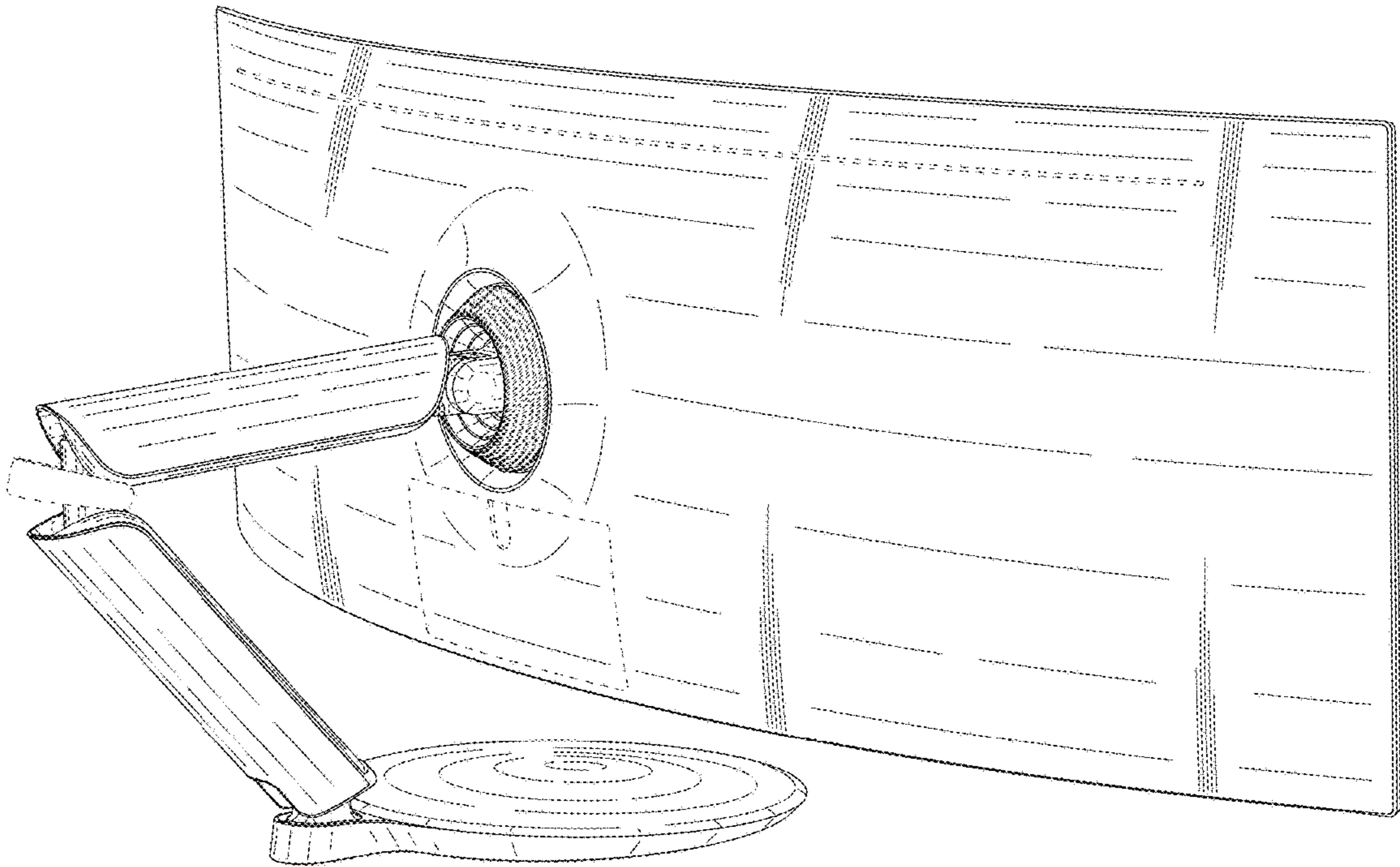


FIG. 9

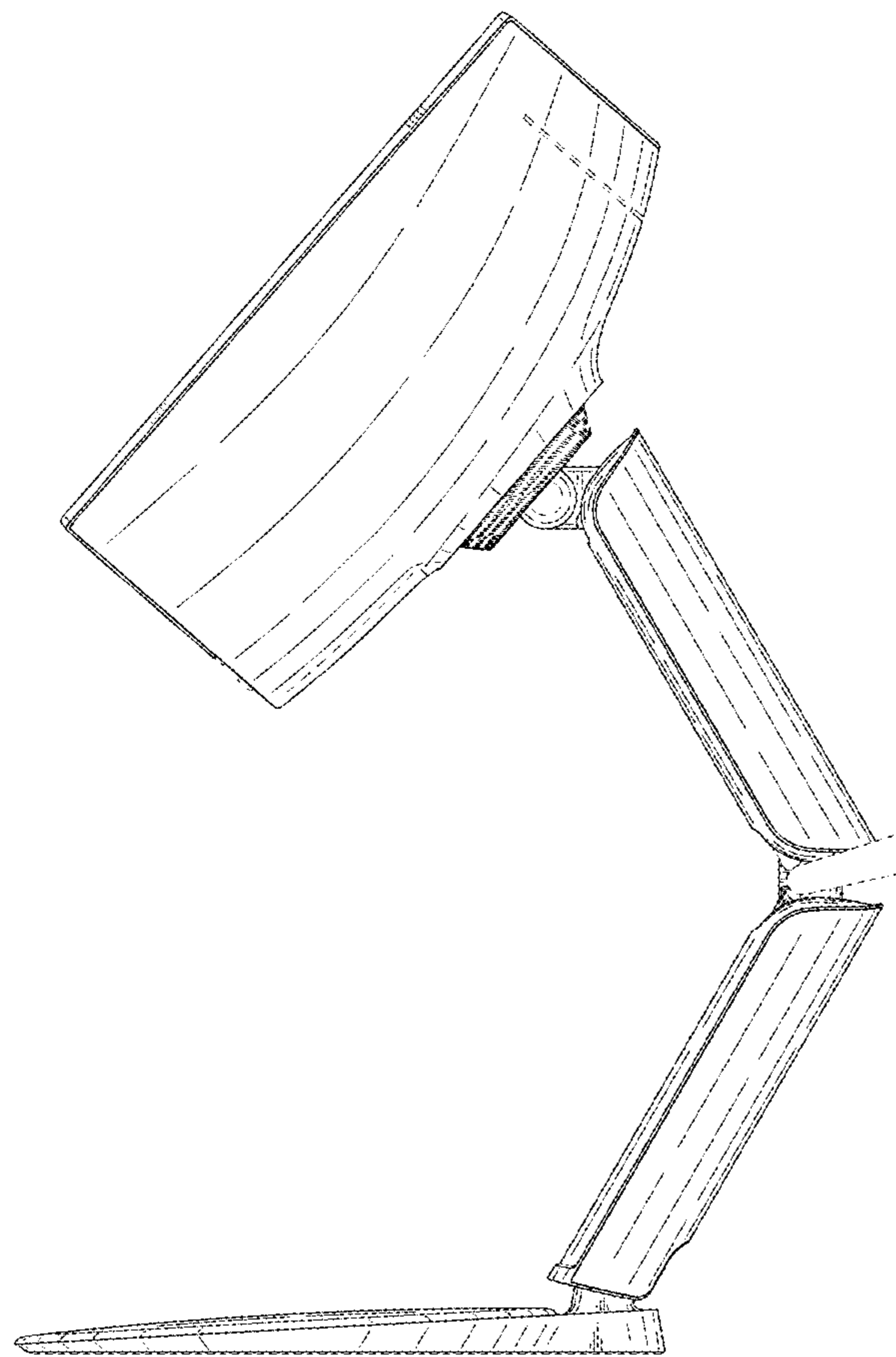


FIG. 10

