



US00D816669S

(12) **United States Design Patent** (10) **Patent No.:** **US D816,669 S**
Jasinski et al. (45) **Date of Patent:** **** May 1, 2018**

(54) **INFORMATION HANDLING SYSTEM HOUSING**

7/00; H05H 7/20; G11B 33/126; G11B 33/128; G11B 33/08; G11B 33/02

See application file for complete search history.

(71) Applicant: **Dell Products L.P.**, Round Rock, TX (US)

(56) **References Cited**

(72) Inventors: **Joseph E. Jasinski**, Austin, TX (US); **Antonio T. Latto**, Austin, TX (US); **Shih-Heng Chen**, Taipei (TW); **Aaron vom Eigen**, Austin, TX (US)

U.S. PATENT DOCUMENTS

D487,265 S *	3/2004	Kumano	D14/349
D497,162 S *	10/2004	Neal	D14/349
D604,732 S *	11/2009	Sun	D14/349
D707,225 S *	6/2014	Shin	D14/349

(73) Assignee: **Dell Products L.P.**, Round Rock, TX (US)

* cited by examiner

(**) Term: **15 Years**

Primary Examiner — Freda S Nunn

(21) Appl. No.: **29/600,582**

(74) *Attorney, Agent, or Firm* — Terrile, Cannatti, Chambers & Holland, LLP

(22) Filed: **Apr. 13, 2017**

(57) **CLAIM**

(51) **LOC (11) Cl.** **14-02**

We claim the ornamental design for an information handling system housing, as shown and described.

(52) **U.S. Cl.**

USPC **D14/349**

DESCRIPTION

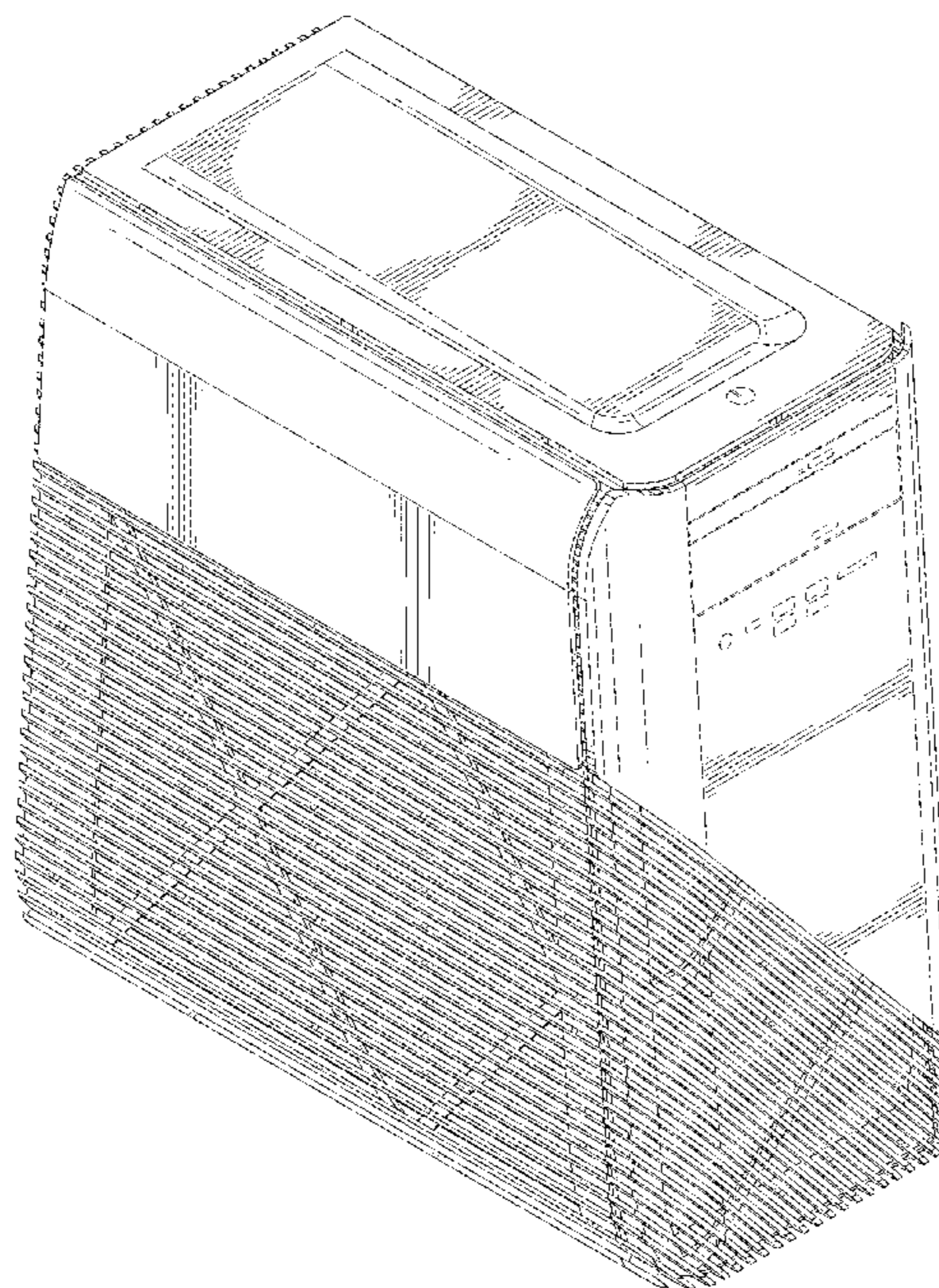
(58) **Field of Classification Search**

USPC D14/240, 300, 301, 308, 313, 314, D14/348-356, 364-368, 441-446, 188; D13/123, 158, 162, 184, 199; 312/223.1-223.3, 351.11; 360/99.01-99.12; 369/34.01-36.01; 361/679.31-679.33, 679.37, 679.39, 361/679.46, 679.53, 679.4, 679.41, 727
CPC . G06F 1/20; G06F 1/181; G06F 1/187; G06F 1/183; G06F 1/184; G06F 1/16; H05K 7/16; H05K 7/1424; H05K 7/1409; H05K 7/20; H05K 7/20545; H05K 7/20727; H05K 7/1425; H05K 7/1488; H05K 7/183; H05K 7/14; H05K 5/00; H05K

FIG. 1 is a front perspective view of the information handling system housing comprising the present invention; FIG. 2 is a front elevation view thereof; FIG. 3 is a rear elevation view thereof; FIG. 4 is a right side view thereof; FIG. 5 is a left side view thereof; FIG. 6 is a top view thereof; FIG. 7 is a bottom view thereof; and, FIG. 8 is a rear perspective view thereof.

Broken lines shown in the drawings illustrate portions of the information handling system housing, and form no part of the claimed design.

1 Claim, 8 Drawing Sheets



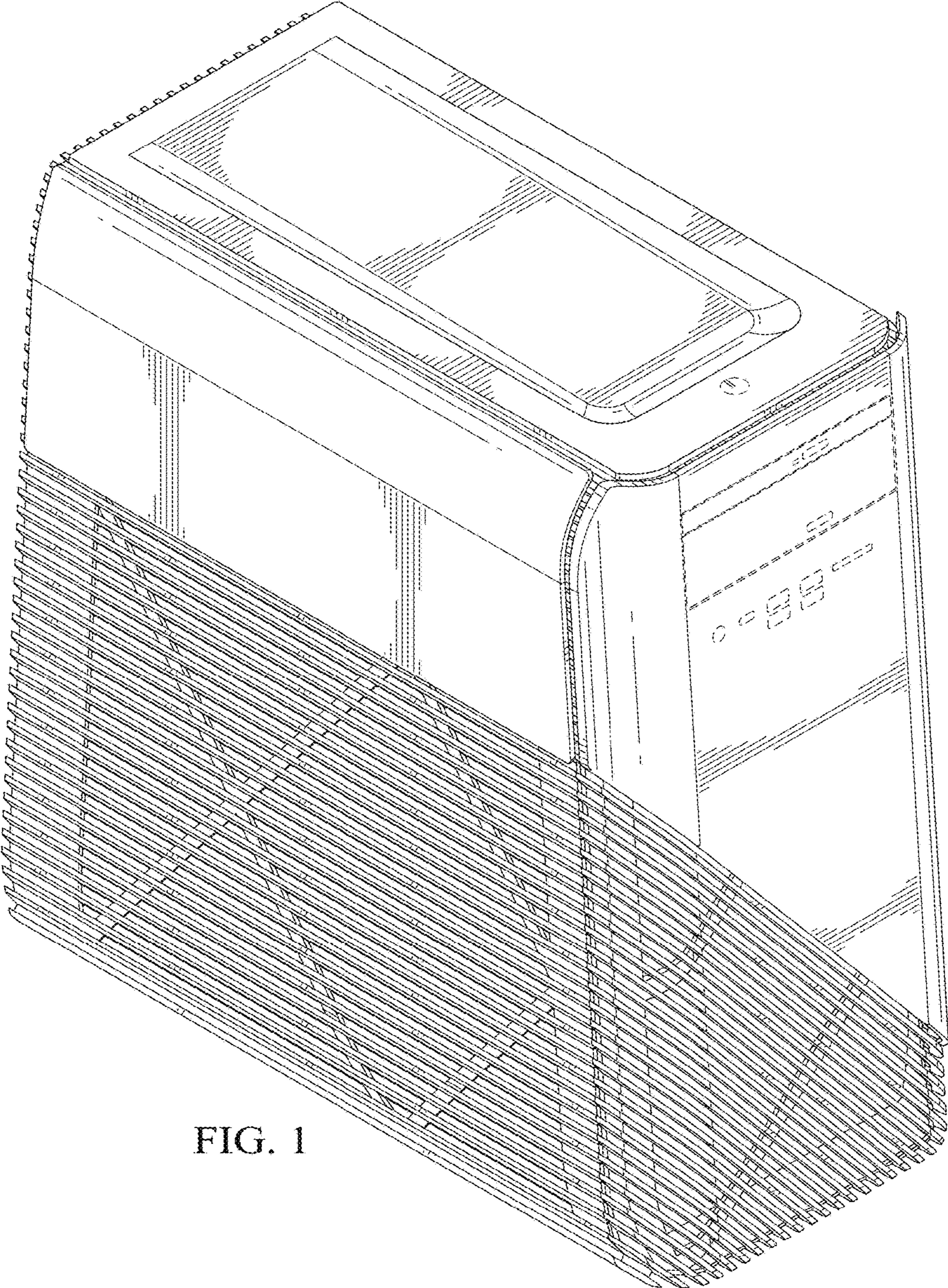


FIG. 1

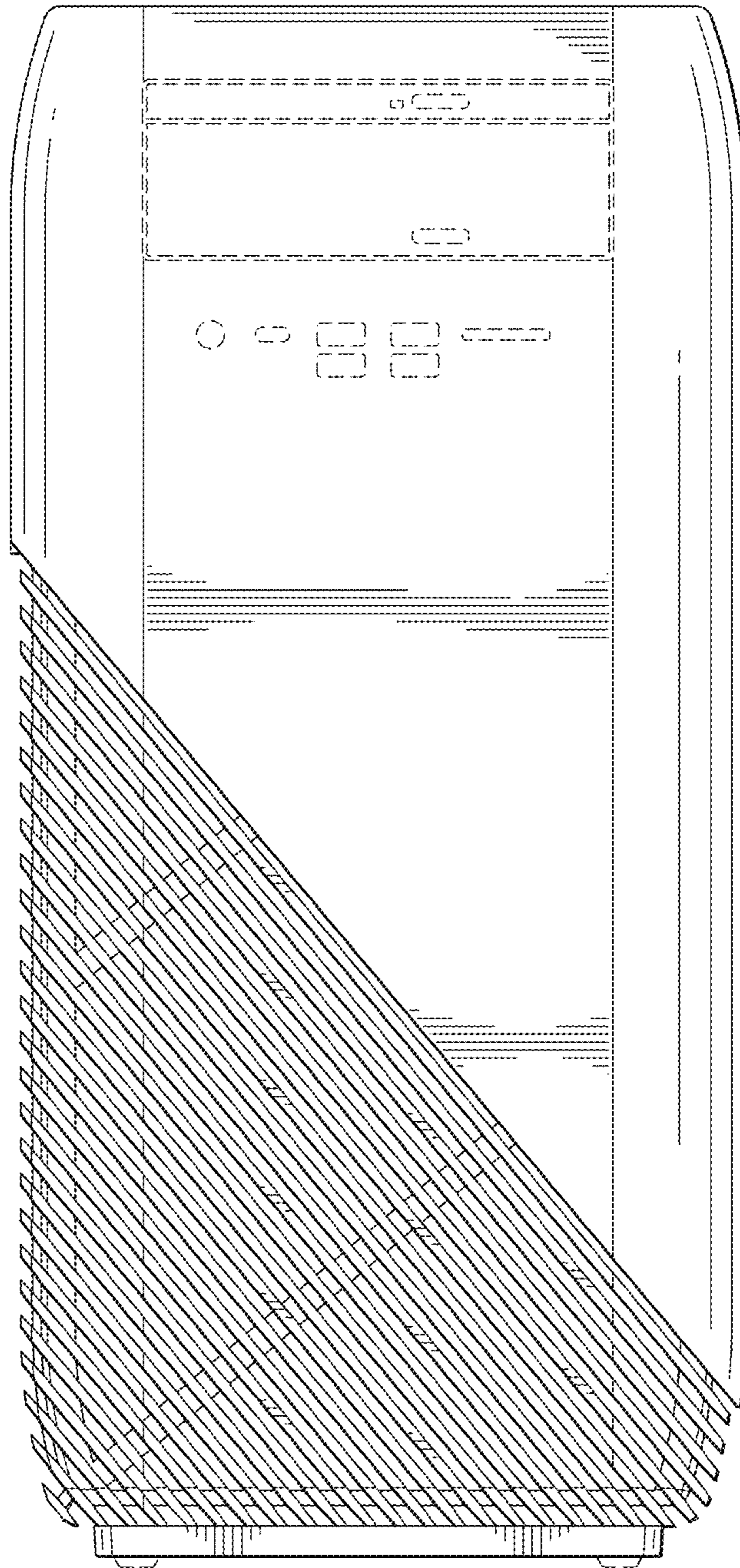


FIG. 2

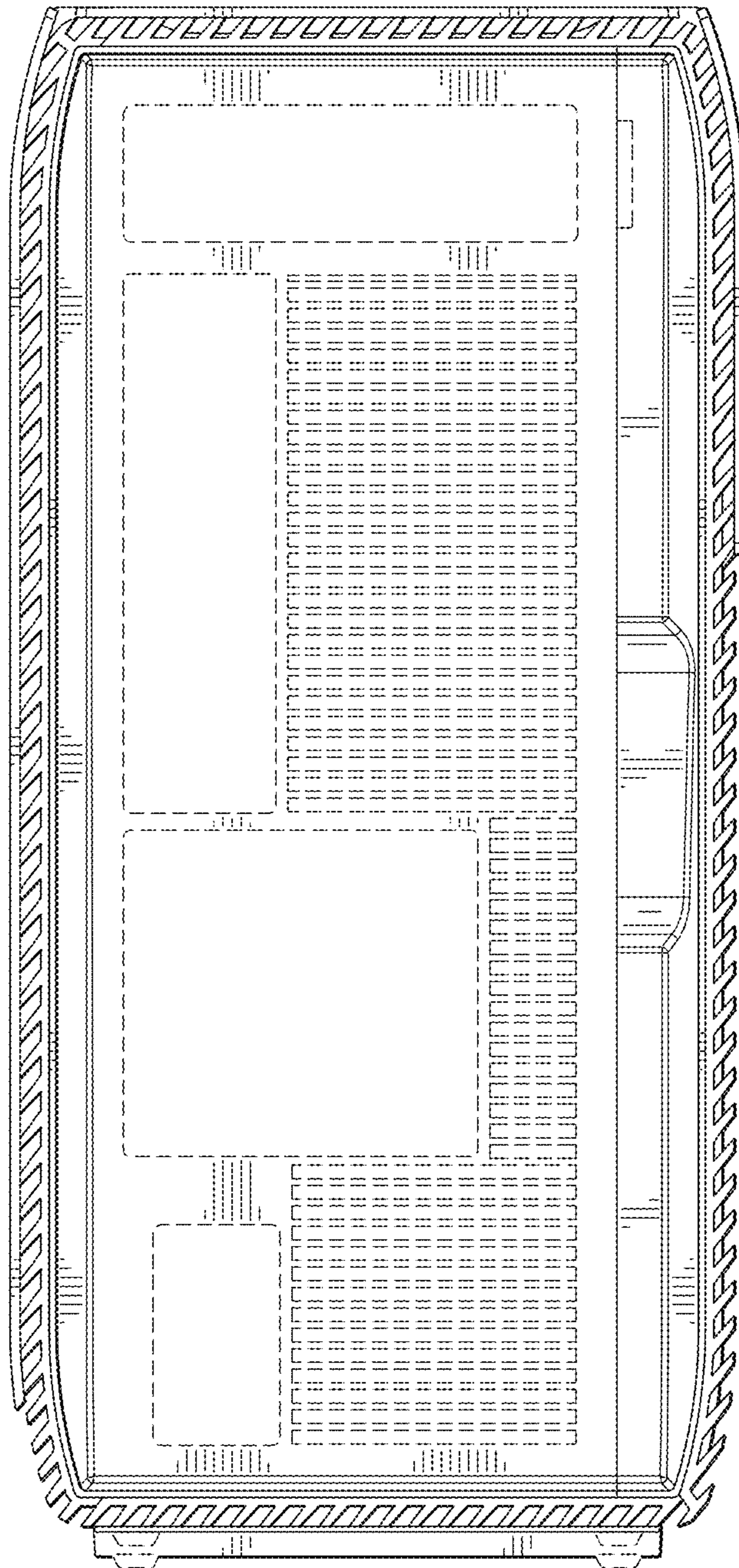


FIG. 3

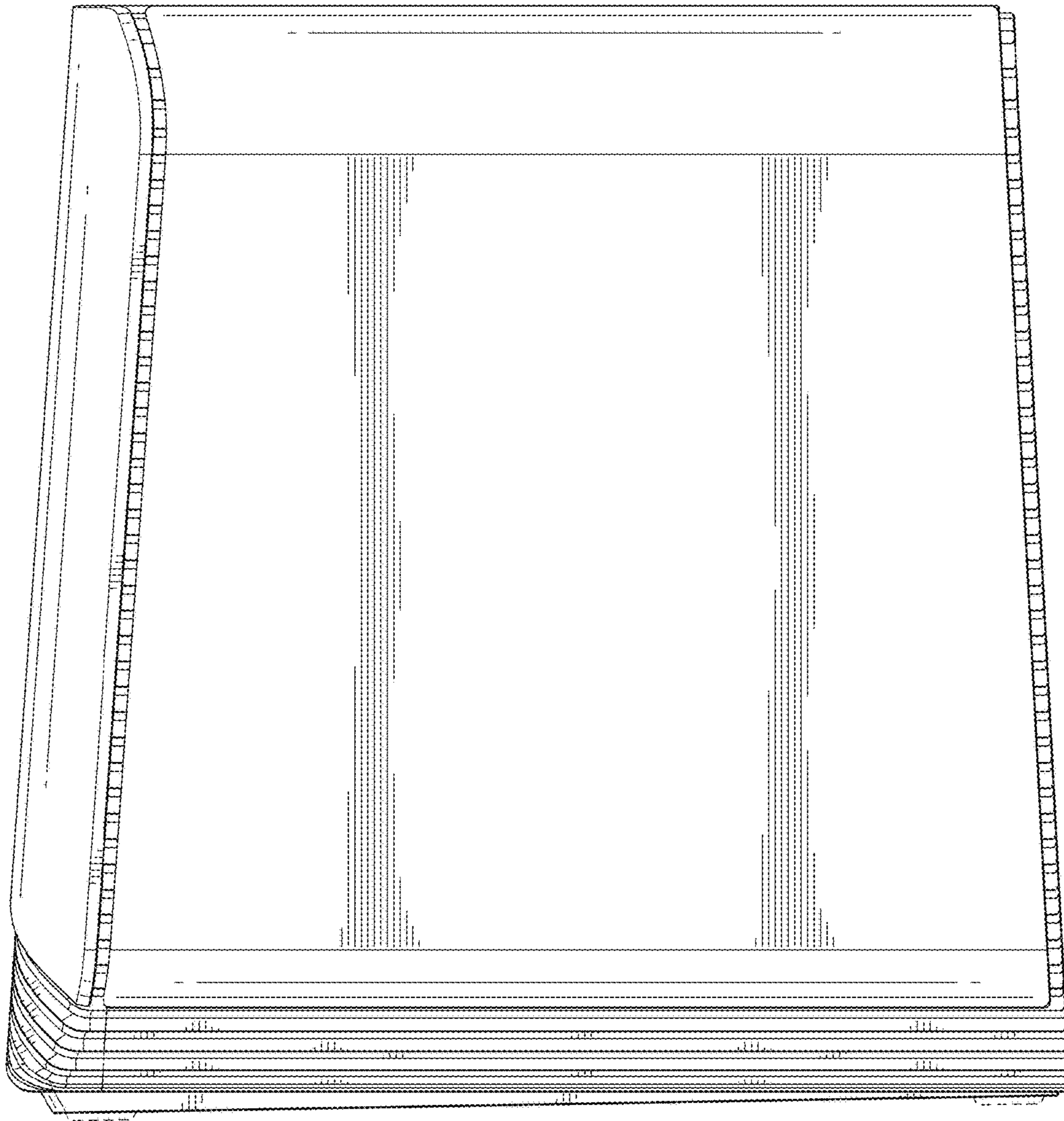


FIG. 4

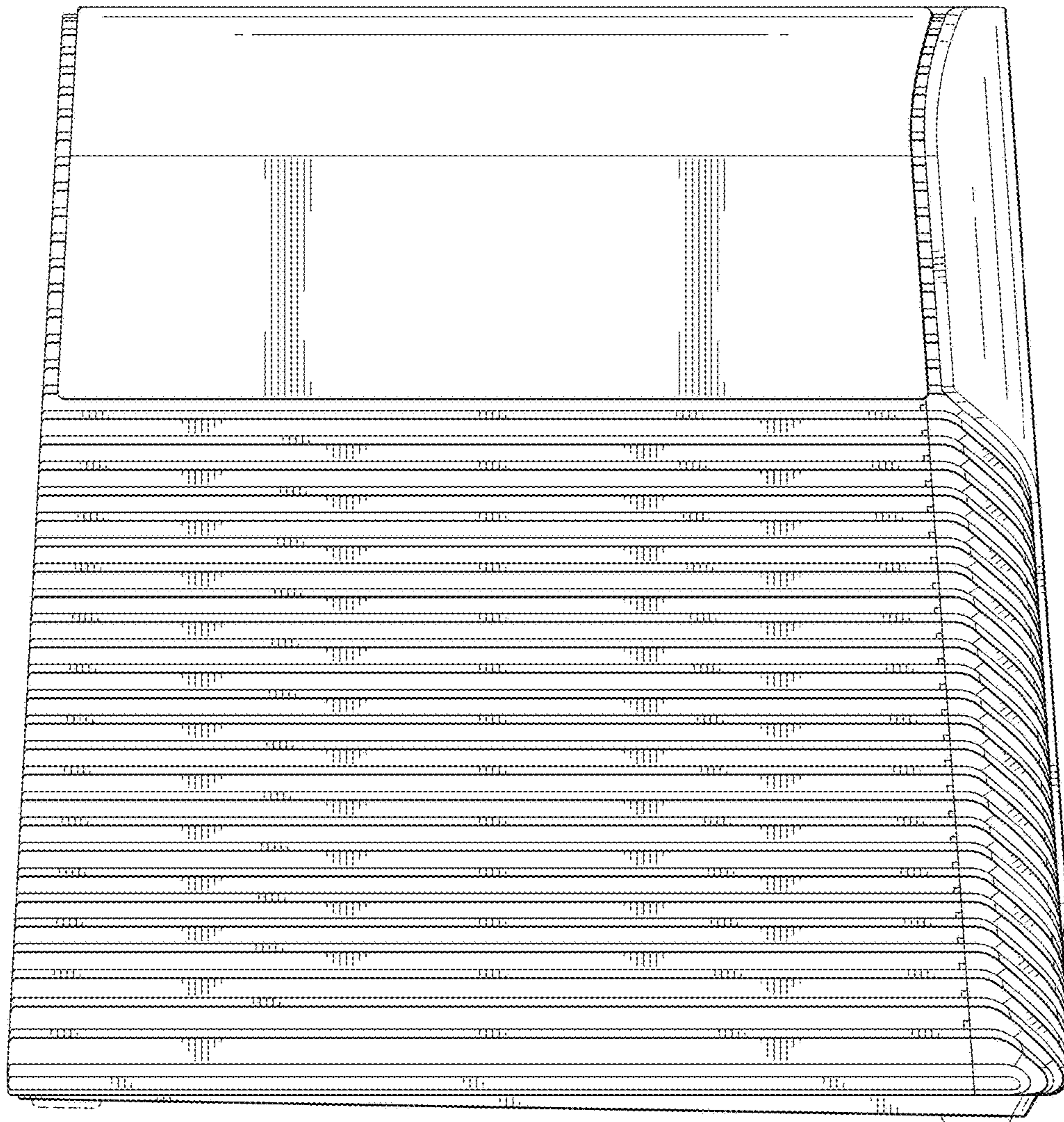


FIG. 5

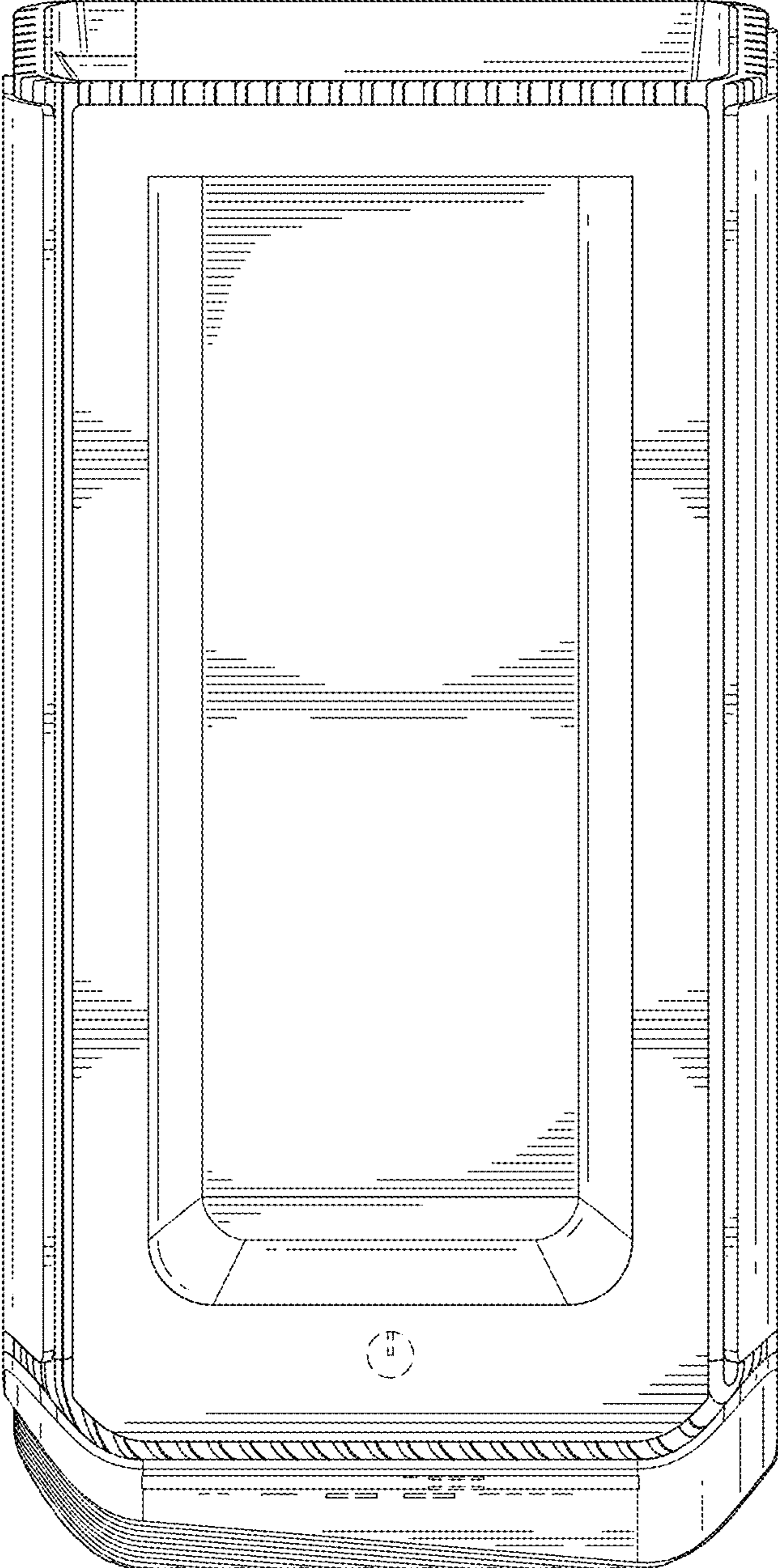


FIG. 6

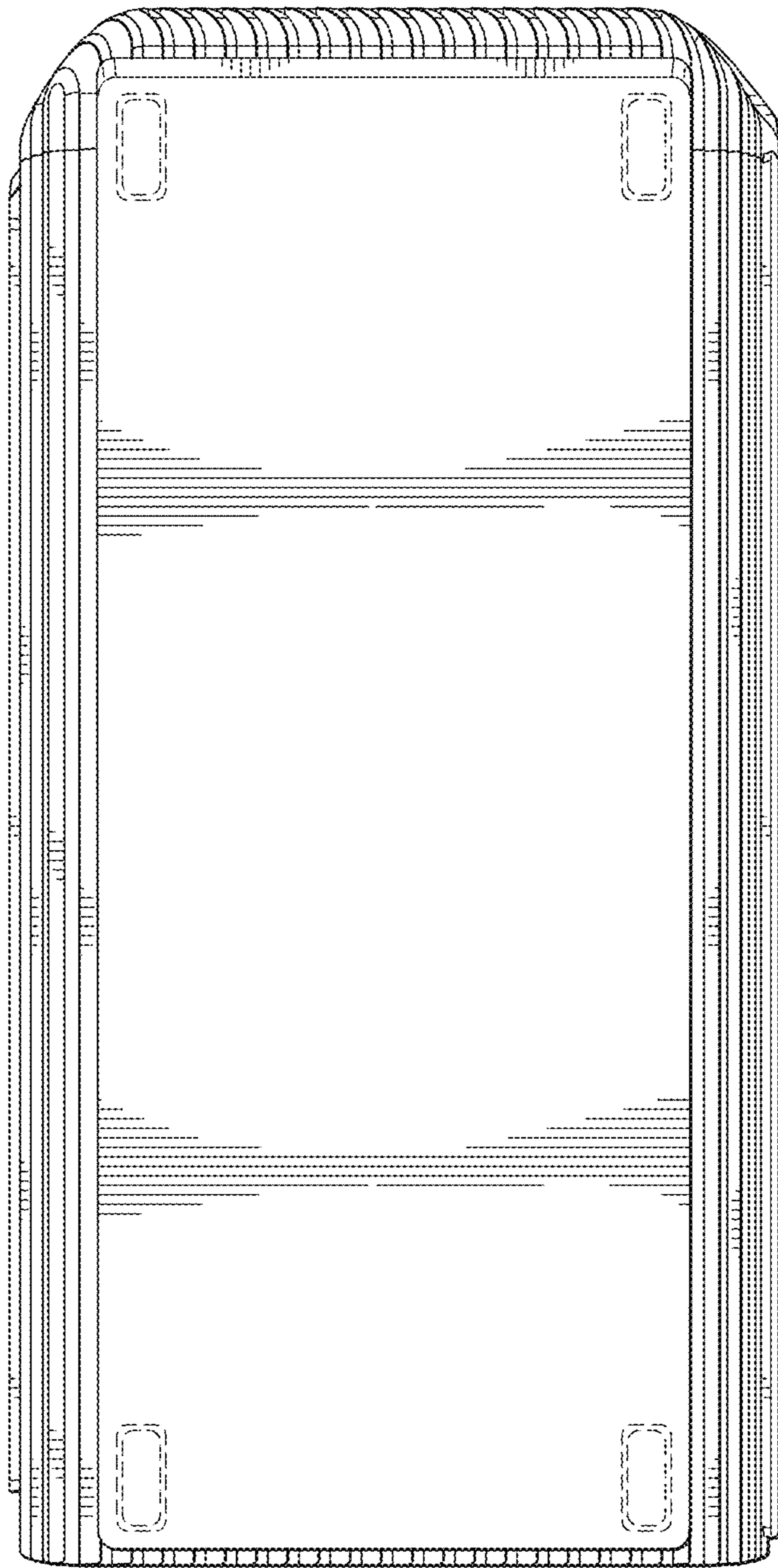


FIG. 7

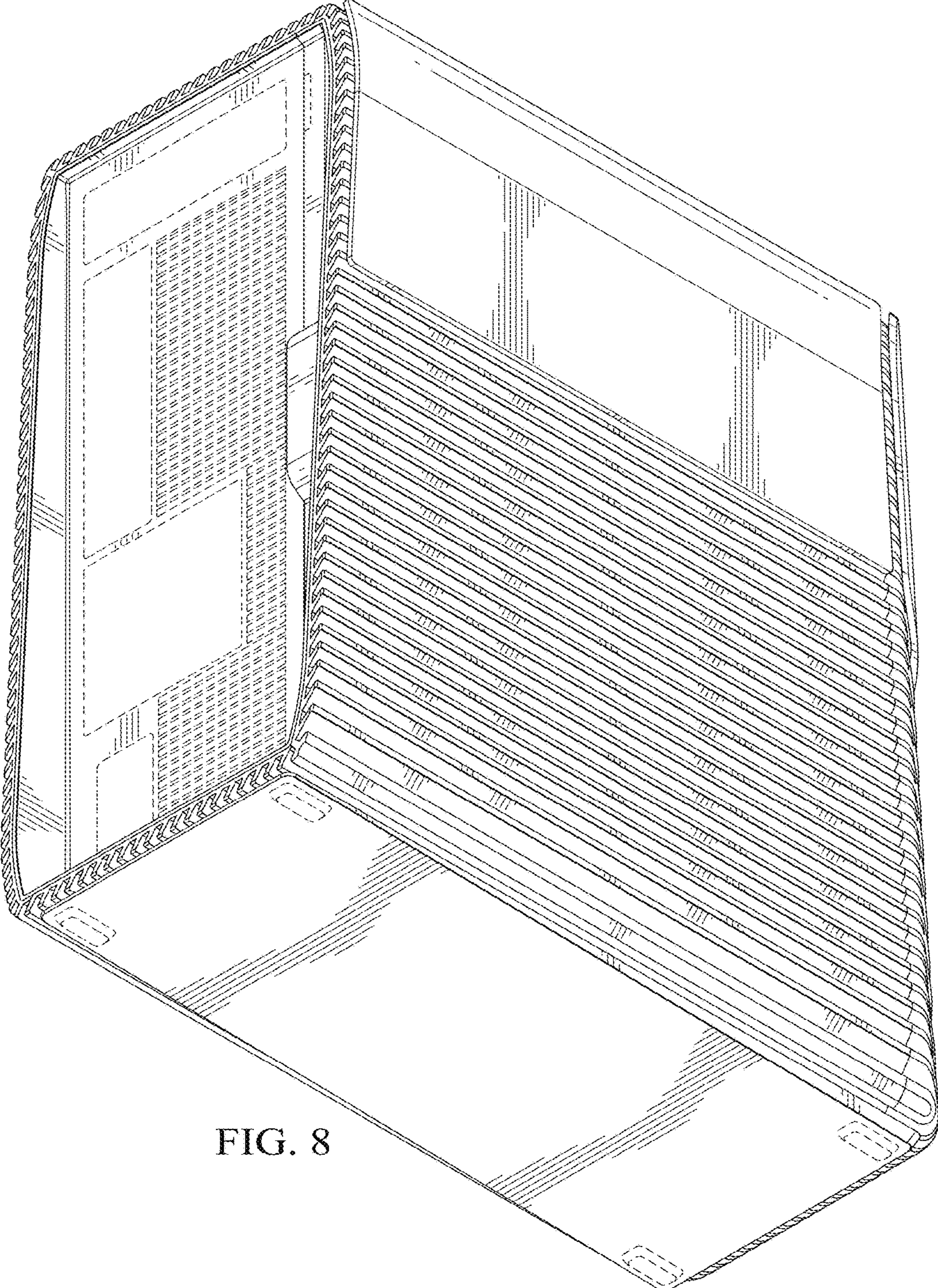


FIG. 8