



US00D816667S

(12) **United States Design Patent**
Hardi

(10) **Patent No.:** **US D816,667 S**

(45) **Date of Patent:** **** May 1, 2018**

(54) **SMART REMOTE CONTROL BAND**

(71) Applicant: **Muzik LLC**, Miami Beach, FL (US)

(72) Inventor: **Jason Hardi**, Miami Beach, FL (US)

(73) Assignee: **Muzik Inc.**, Raleigh, NC (US)

(**) Term: **15 Years**

(21) Appl. No.: **29/583,819**

(22) Filed: **Nov. 9, 2016**

(51) **LOC (11) Cl.** **14-02**

(52) **U.S. Cl.**

USPC **D14/344**; D14/218

(58) **Field of Classification Search**

USPC ... D14/344, 138 R, 144, 341, 358, 485-489,
D14/218; D10/30-39, 70, 98; D11/3,
D11/93-94; D24/167, 169, 186-187;
361/679.03; 379/433.1; D13/108
CPC .. A41D 1/002; G06F 1/04; G06F 1/08; G06F
1/10; G06F 1/14; G06F 1/1626; G06F
1/1628; G06F 1/163; G06F 1/1635; G06F
1/3203; G06Q 20/10; G06Q 20/12; G06Q
20/108; G06Q 20/145; H04B 1/3833;
H04B 1/385; H04B 1/3888; H04M 1/02;
H04M 1/03; H04M 1/04; H04M 1/05;
H04M 1/667; H04M 1/6058; Y02B
60/1217

See application file for complete search history.

(56) **References Cited**

U.S. PATENT DOCUMENTS

D394,815 S *	6/1998	Jorss	D10/33
D545,697 S *	7/2007	Martin	D10/38
D586,667 S *	2/2009	Brady	D10/32
D594,851 S *	6/2009	Dai	D14/218
D612,269 S *	3/2010	Leung	D10/32
D649,069 S *	11/2011	Galli	D10/30
D664,866 S *	8/2012	Chiang	D10/38
D709,874 S *	7/2014	Aumiller	D14/344
D727,197 S *	4/2015	Akana	D11/3

9,019,698 B2 * 4/2015 Thiers H04W 88/02
248/922

9,065,921 B2 * 6/2015 Merenda B65H 75/48
D737,157 S * 8/2015 Akana D10/32

(Continued)

OTHER PUBLICATIONS

Apple Watch Sport Pricing: \$349 (38mm) to \$399 (42mm), posted Mar. 9, 2015, [retrieved Jan. 2, 2018]. Retrieved from Internet, <URL: <https://www.macrumors.com/2015/03/09/apple-watch-sport-price/> >.*

(Continued)

Primary Examiner — Barbara Fox

Assistant Examiner — Kristin E Reed

(74) *Attorney, Agent, or Firm* — Ward and Smith, P.A.

(57) **CLAIM**

I claim the ornamental design for a smart remote control band, as shown and described.

DESCRIPTION

FIG. 1 is a perspective view of a smart remote control band according to my new invention, shown in a first embodiment;

FIG. 2 is a front view thereof;

FIG. 3 is a rear view thereof;

FIG. 4 is a left side view thereof;

FIG. 5 is right side view thereof;

FIG. 6 is a top view thereof;

FIG. 7 is a bottom view thereof;

FIG. 8 is a perspective view of the smart remote control band, shown in a second embodiment;

FIG. 9 is a front view thereof;

FIG. 10 is a rear view thereof;

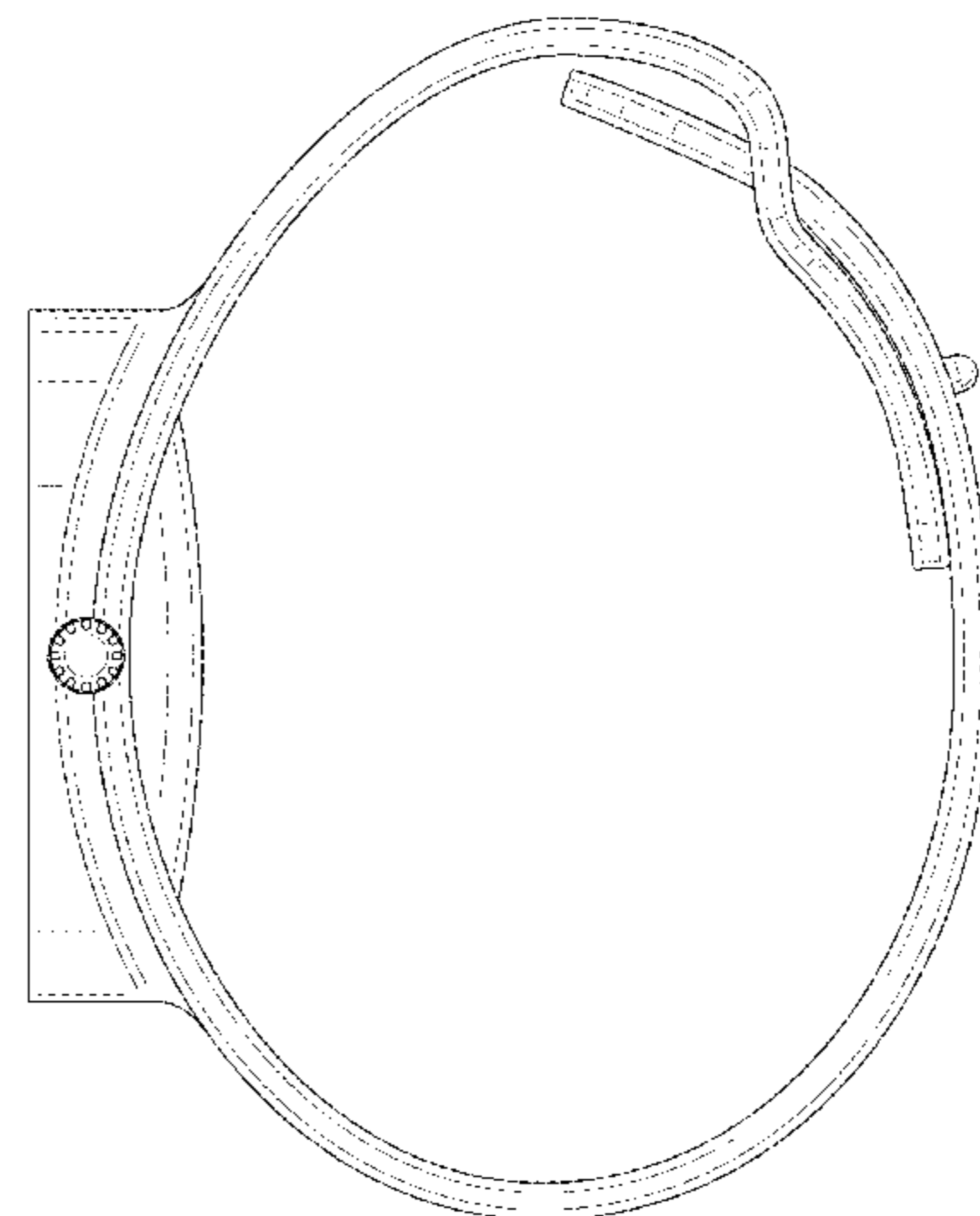
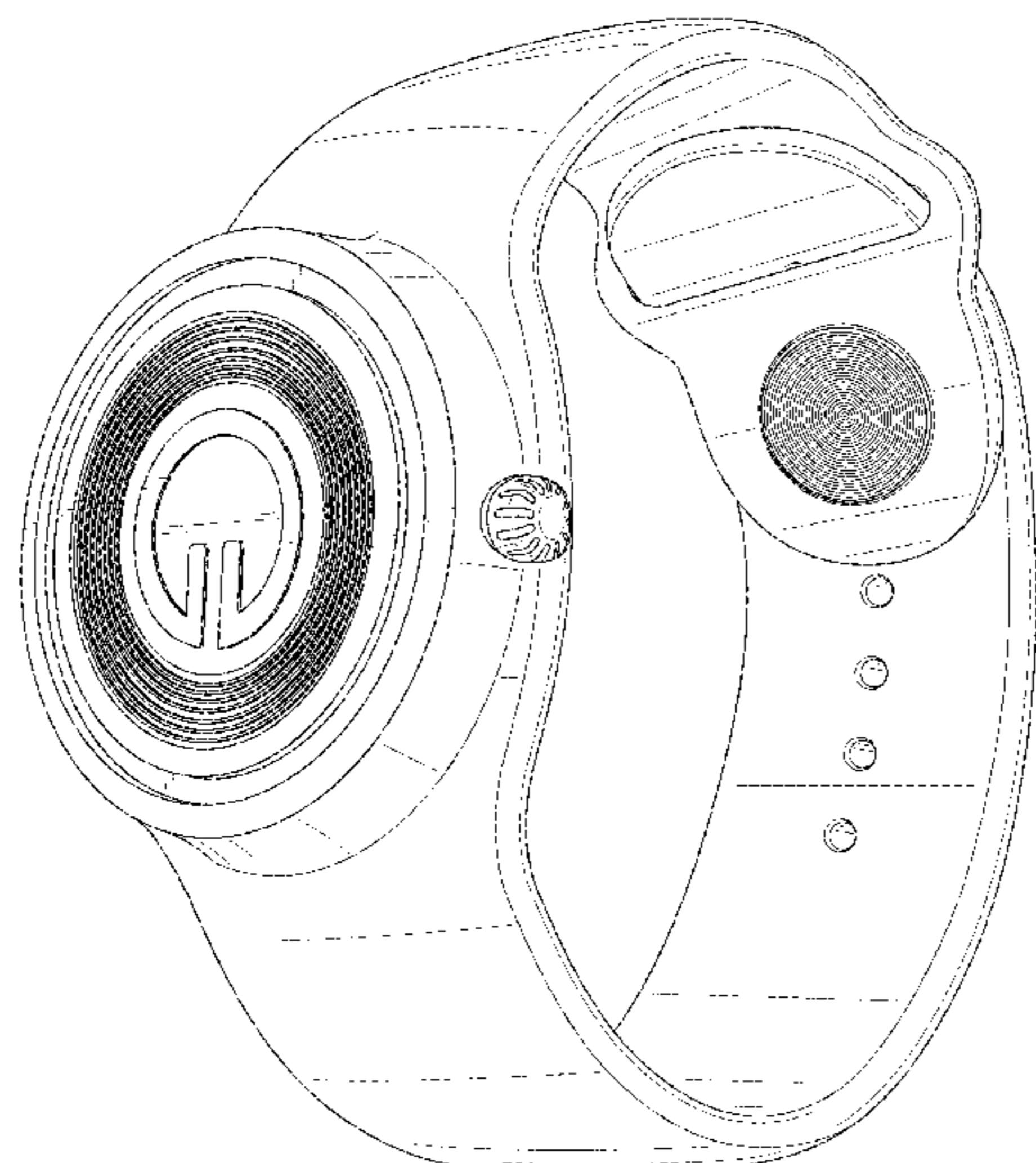
FIG. 11 is a left side view thereof;

FIG. 12 is right side view thereof;

FIG. 13 is a top view thereof; and,

FIG. 14 is a bottom view thereof.

1 Claim, 14 Drawing Sheets



(56)

References Cited

U.S. PATENT DOCUMENTS

D742,260 S * 11/2015 Park D10/30
D750,625 S * 3/2016 Solomon D10/38
D754,548 S * 4/2016 Block D10/32
9,411,372 B1 * 8/2016 Sung G06F 1/163
D765,524 S * 9/2016 Chen D10/70
9,477,313 B2 * 10/2016 Mistry G06F 3/014
D772,728 S * 11/2016 Nicotra D10/32
D789,545 S * 6/2017 Pippel D24/186
D795,251 S * 8/2017 Mistry D14/344

OTHER PUBLICATIONS

G Watch R or the Moto 360: what's your favorite round smartwatch?, posted Aug. 28, 2014, [retrieved Jan. 2, 2018]. Retrieved from Internet, <URL: <https://www.theverge.com/2014/8/28/6077885/g-watch-r-or-the-moto-360-whats-your-favorite-round-smartwatch> >.*

Authentic I-Gucci Digital Watch Review—Gucci Digital Watch IGucci, posted Dec. 20, 2010, [retrieved Jan. 2, 2018]. Retrieved from Internet, <URL: <https://www.youtube.com/watch?v=84E0aHPDQpM> >.*

* cited by examiner

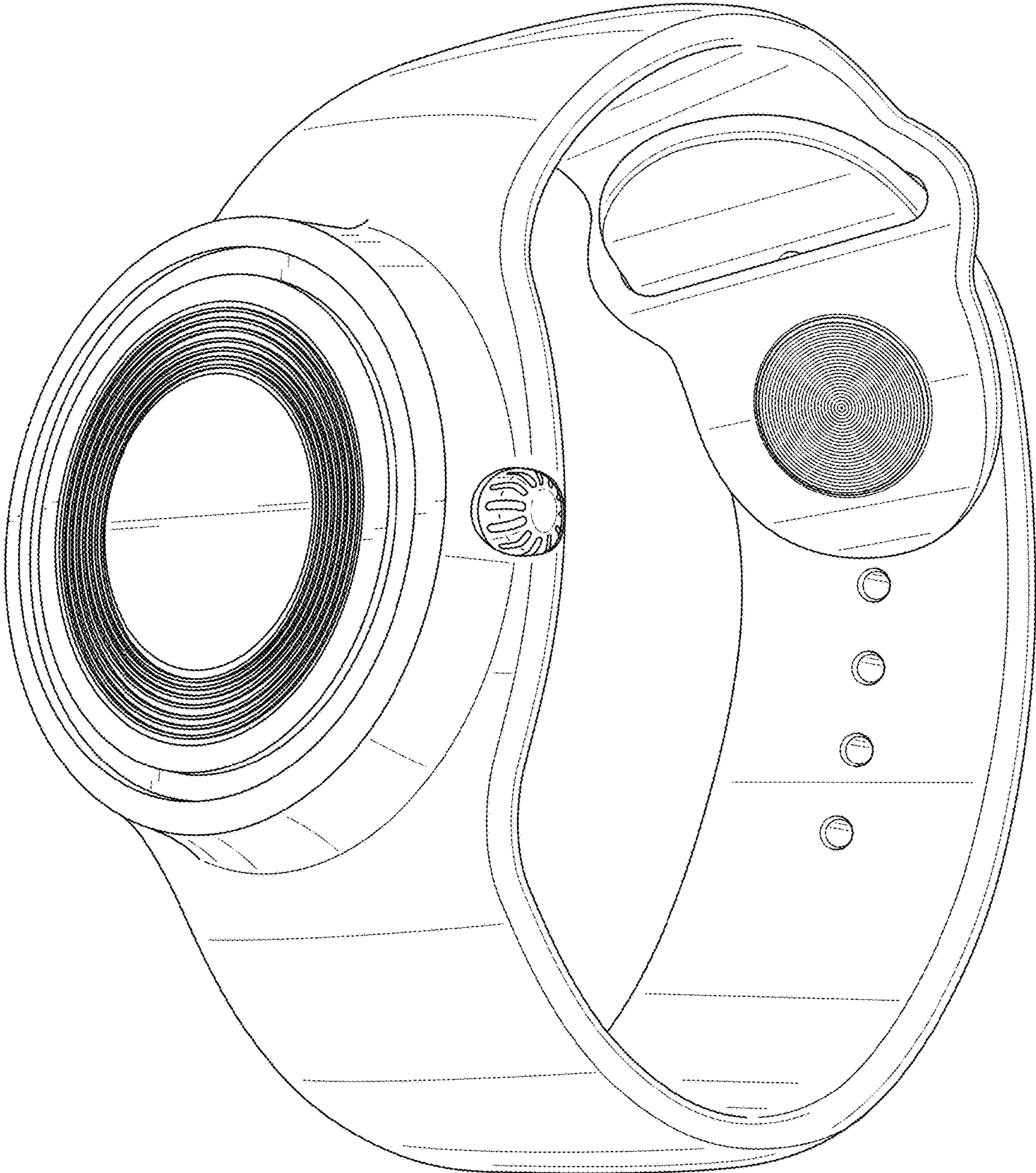


Fig. 1

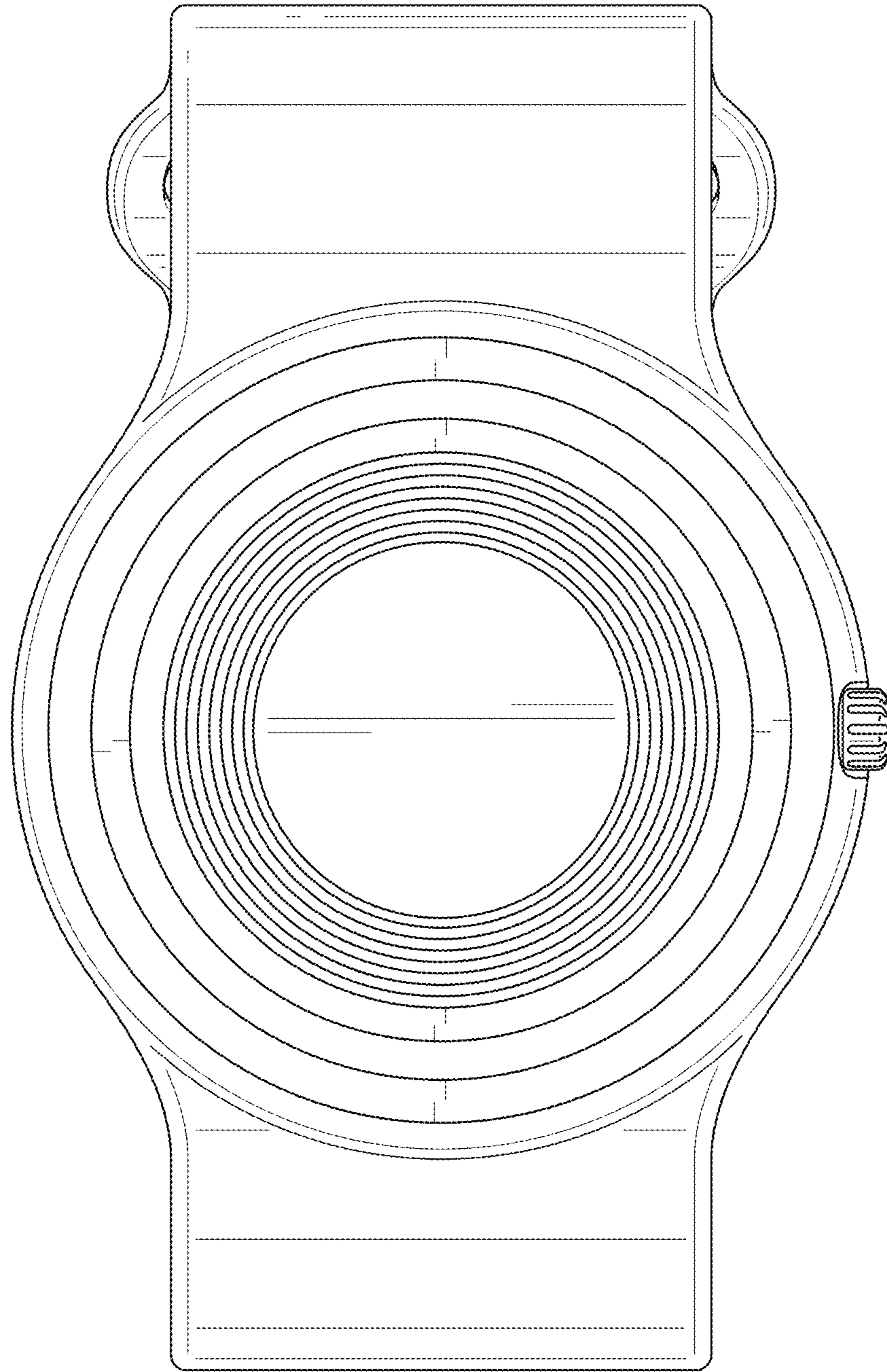


Fig. 2

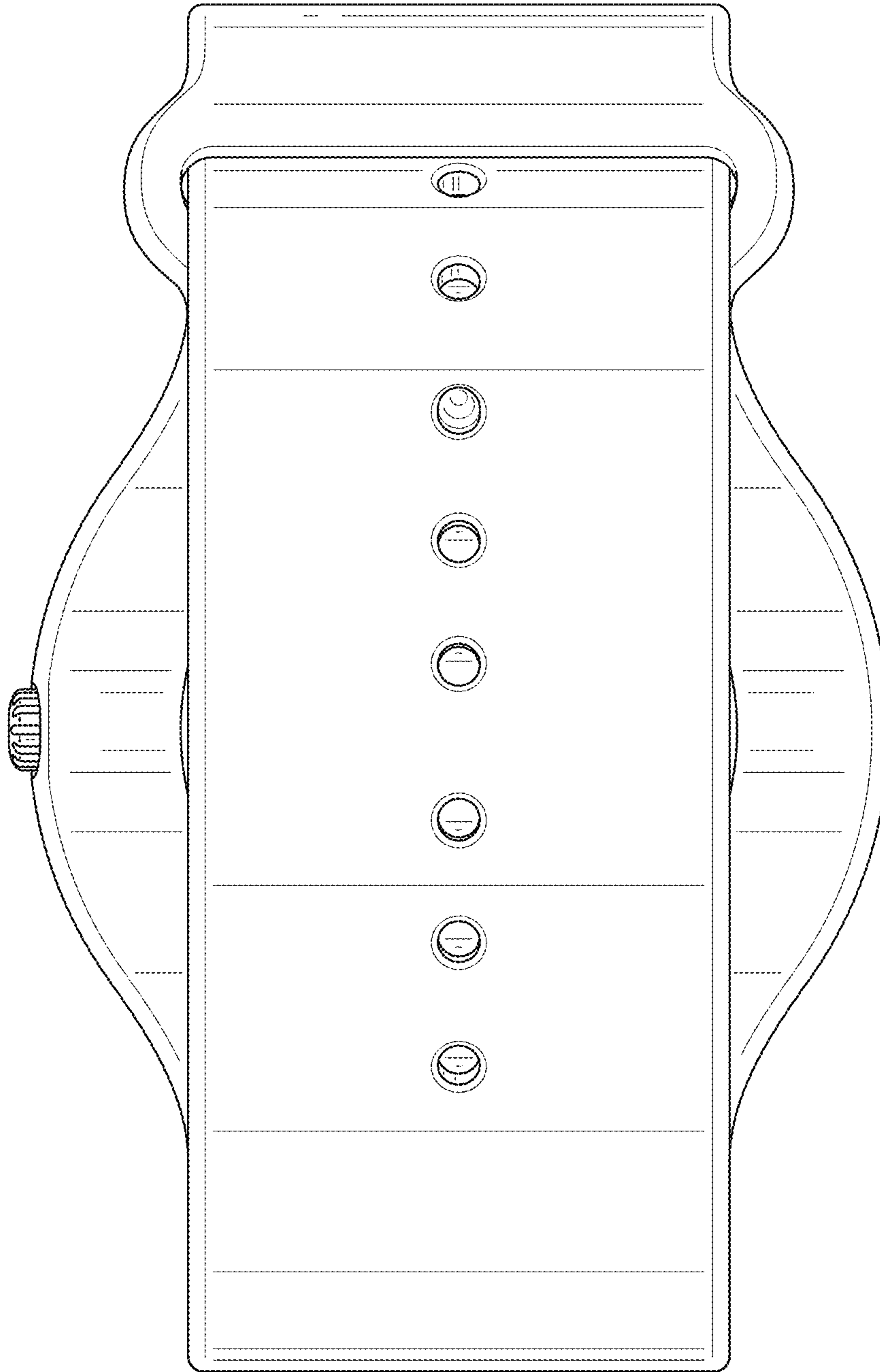


Fig. 3

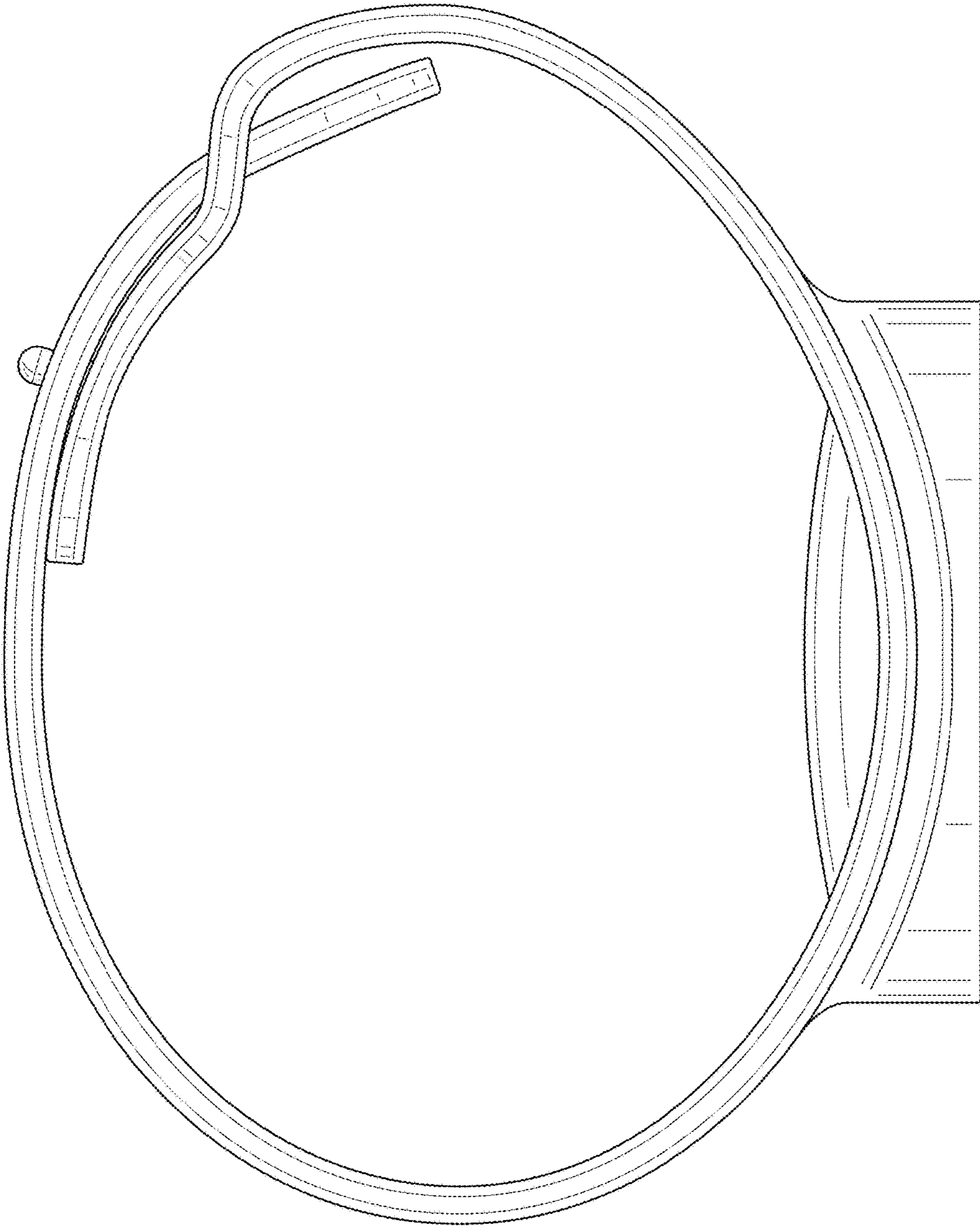


Fig. 4

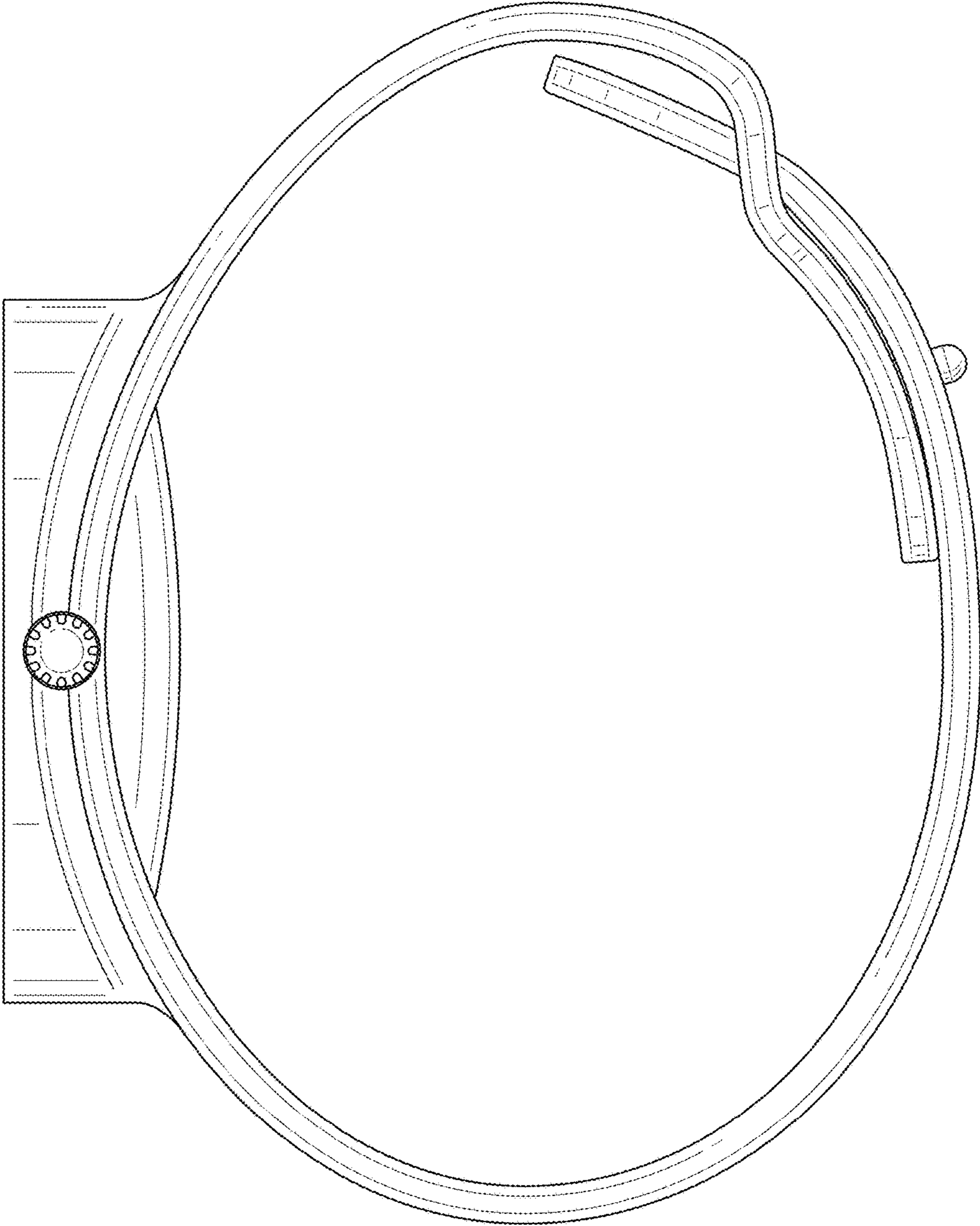


Fig. 5

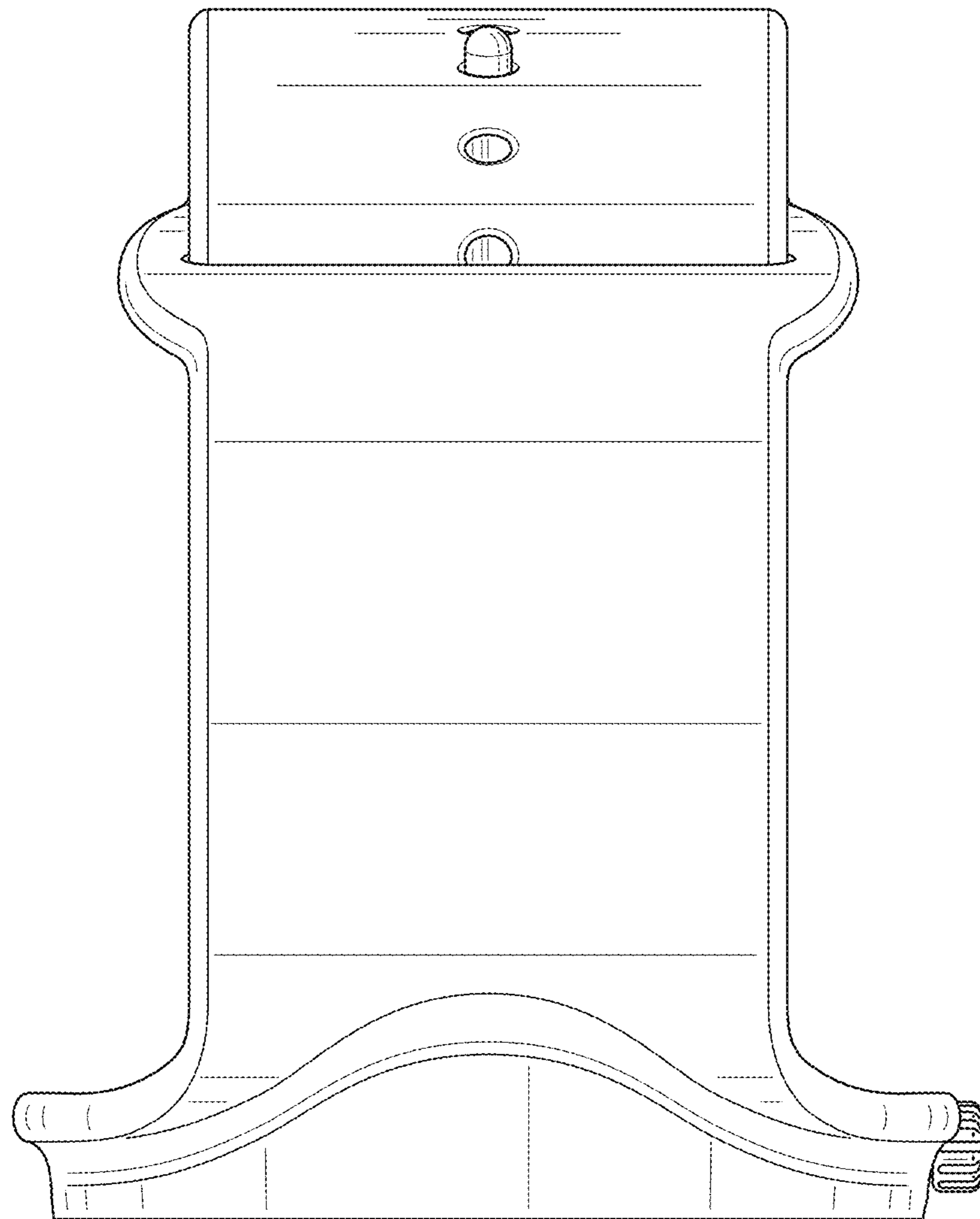


Fig. 6

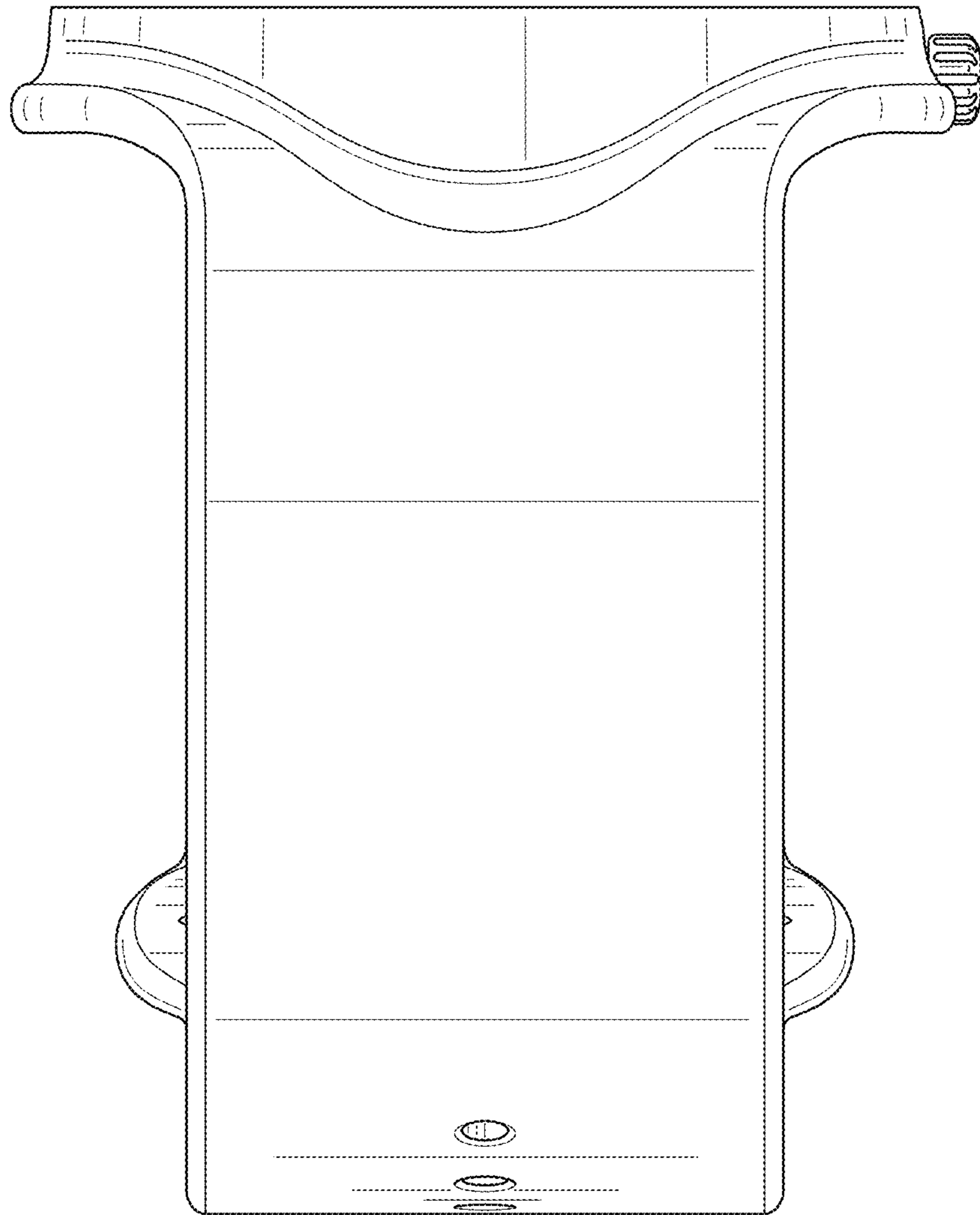


Fig. 7

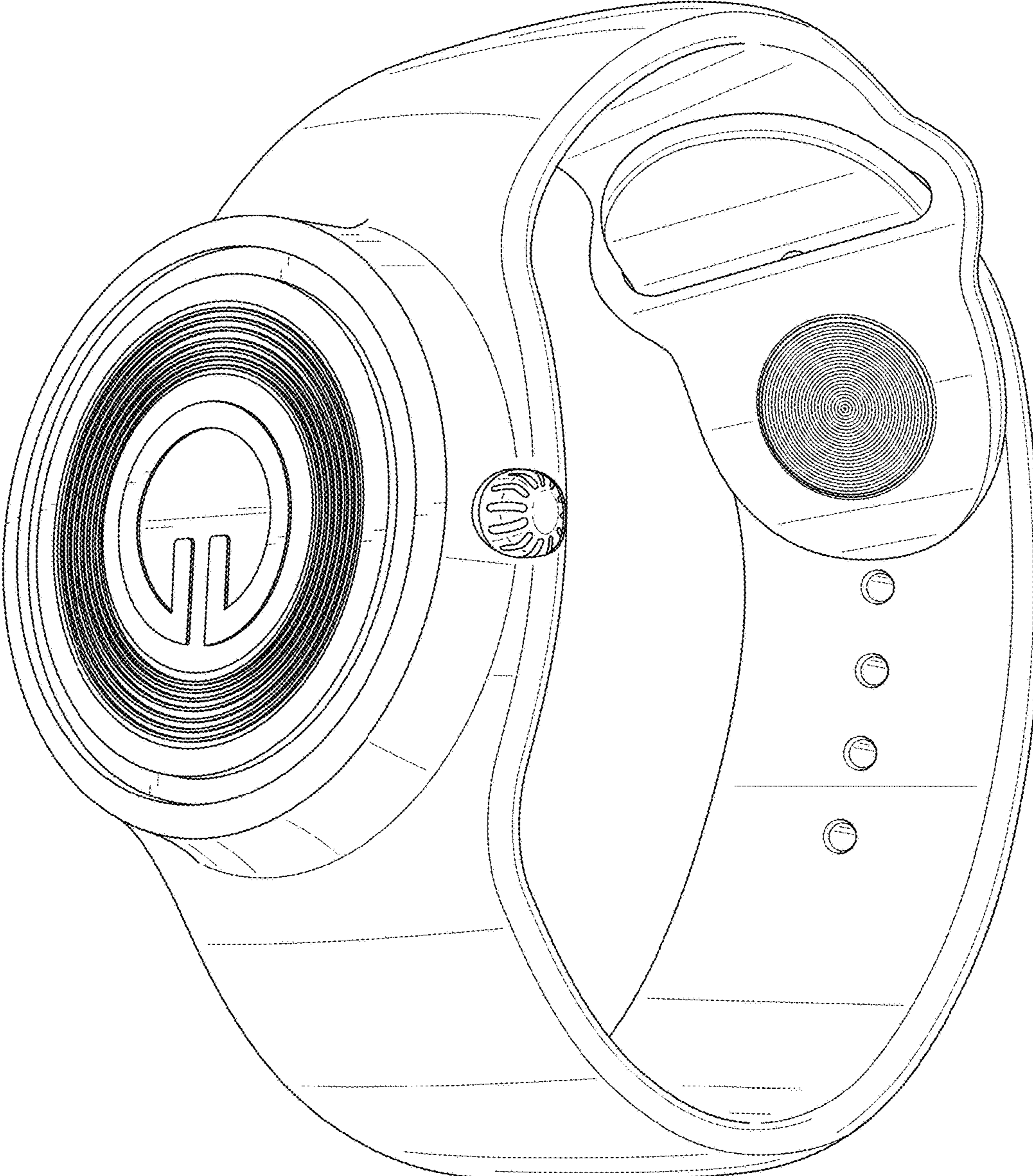


Fig. 8

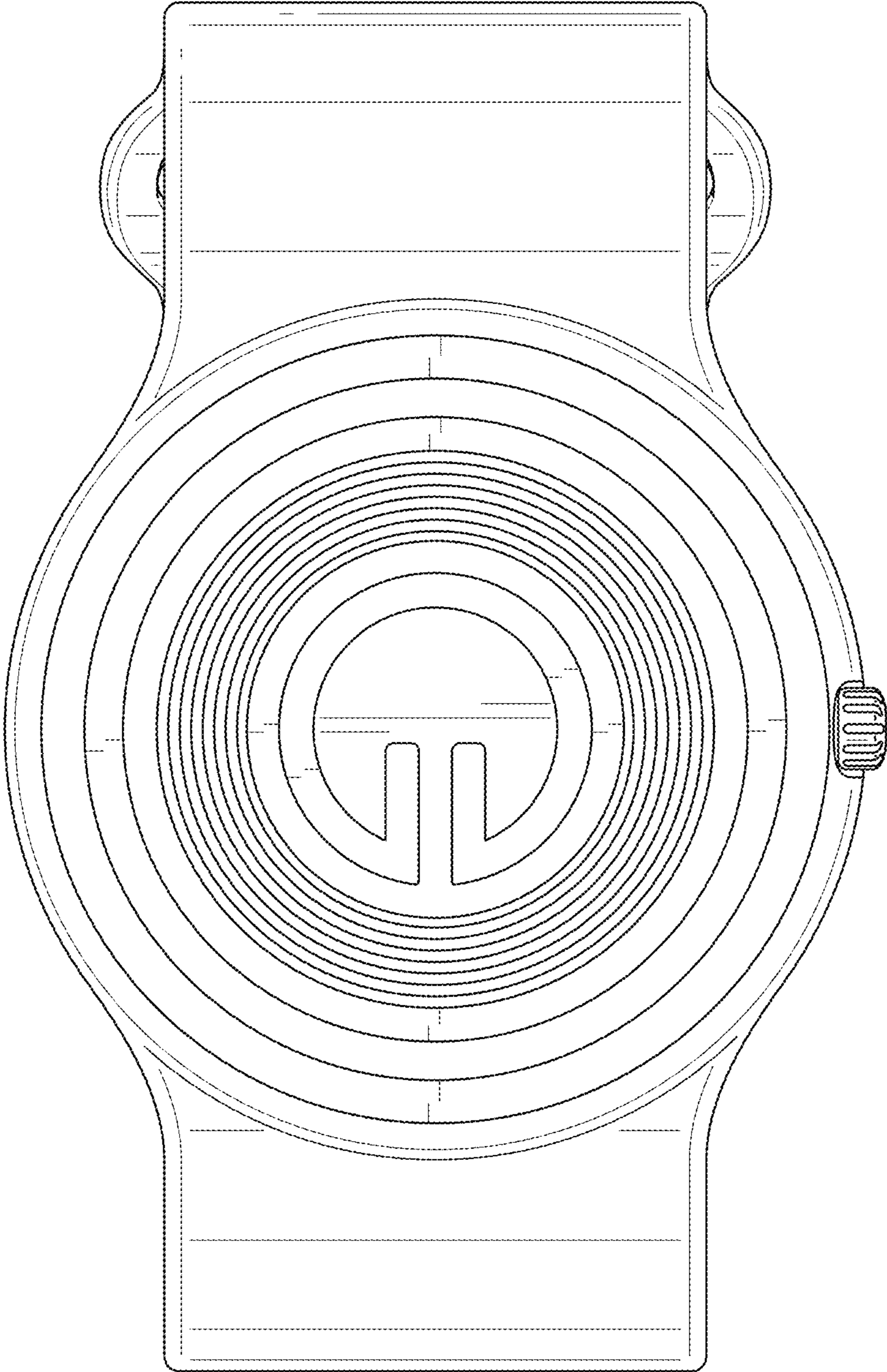


Fig. 9

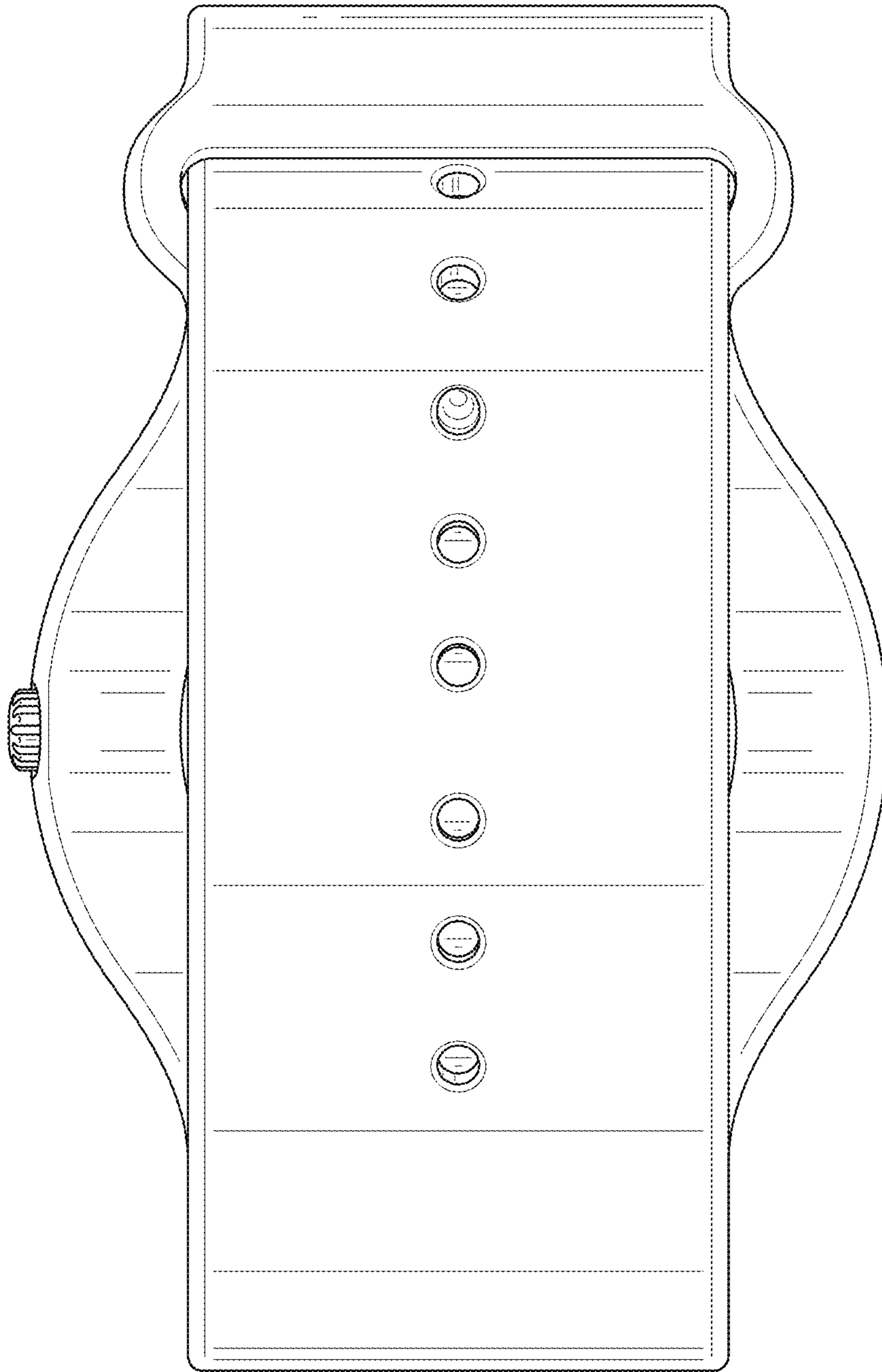


Fig. 10

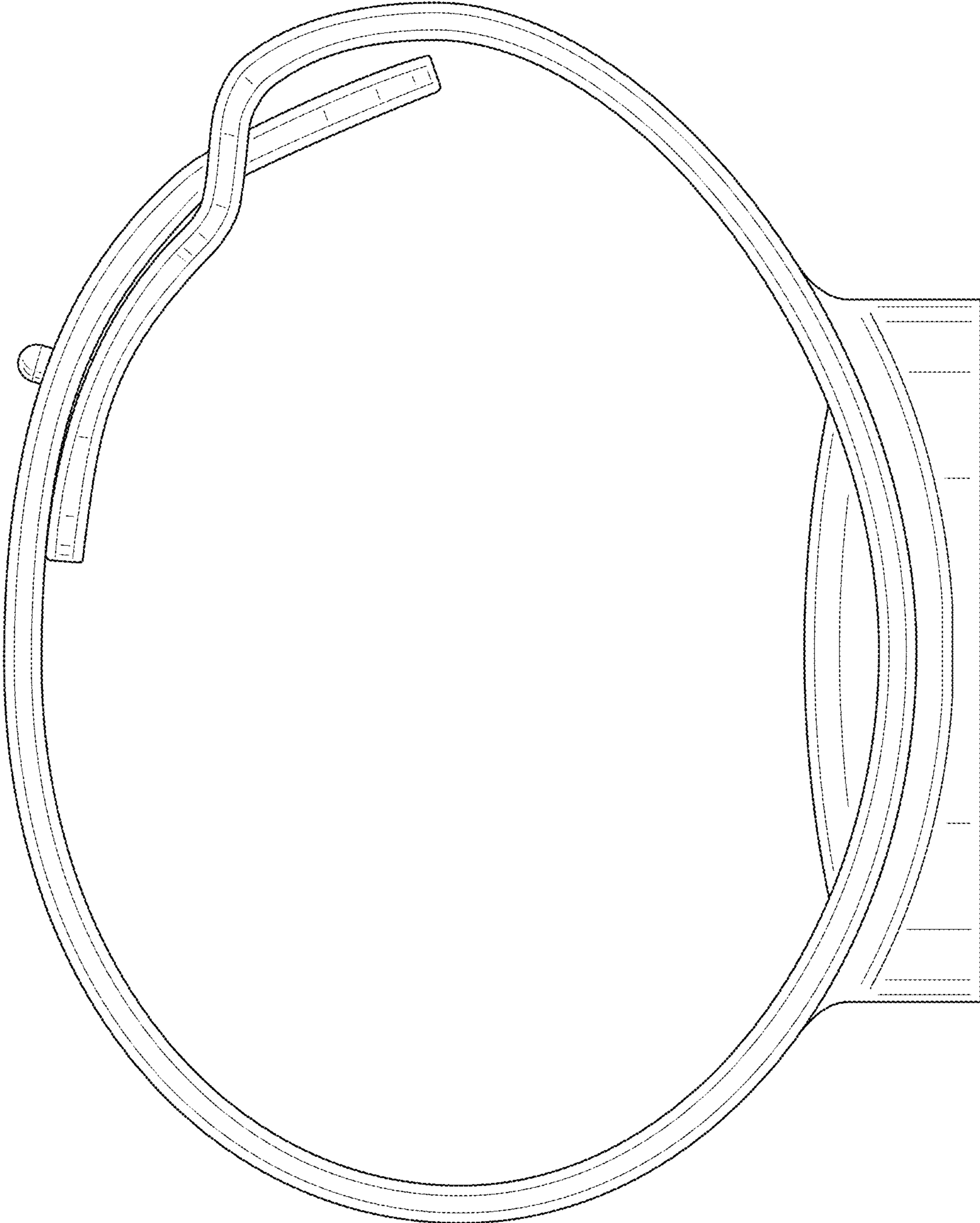


Fig. 11

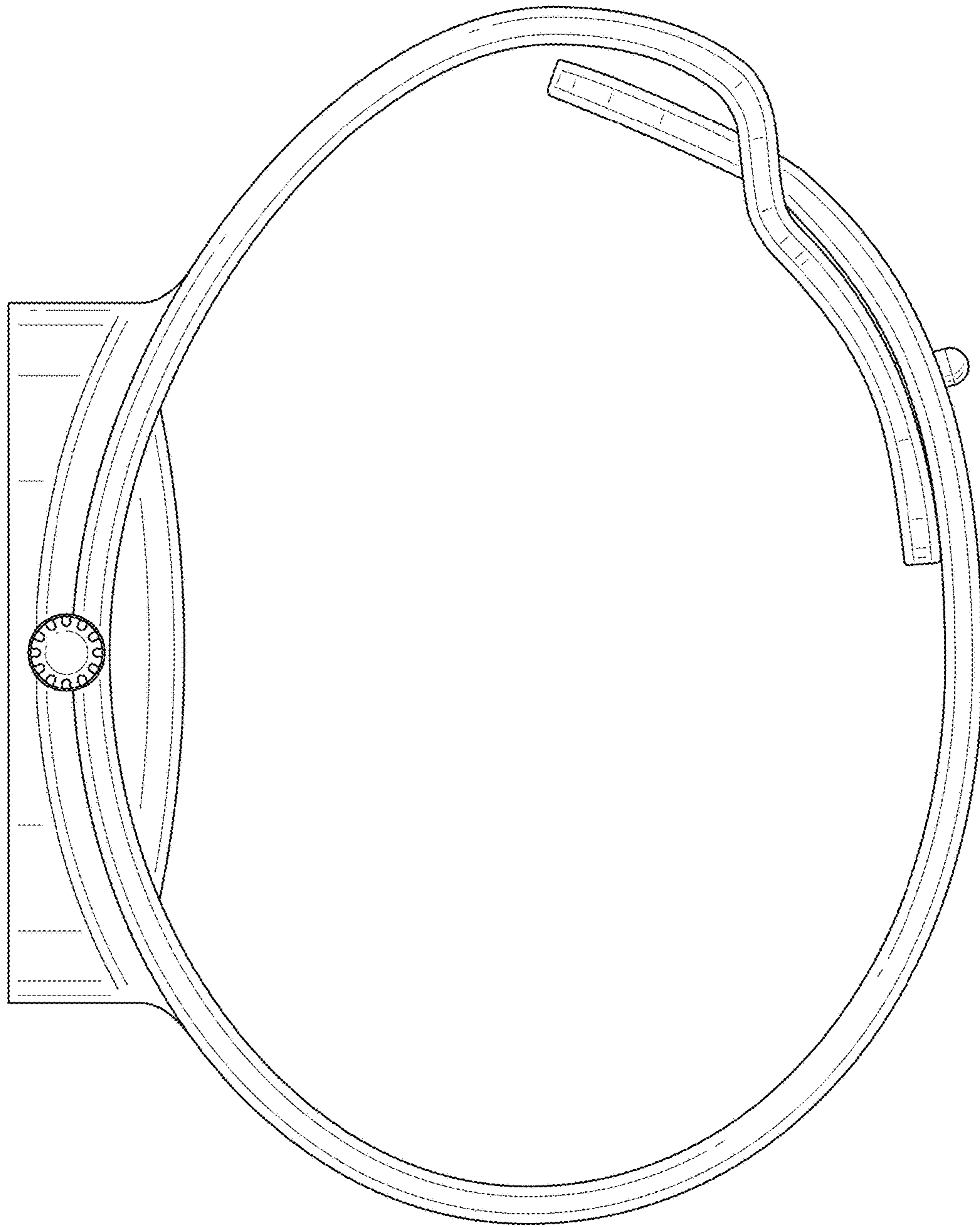


Fig. 12

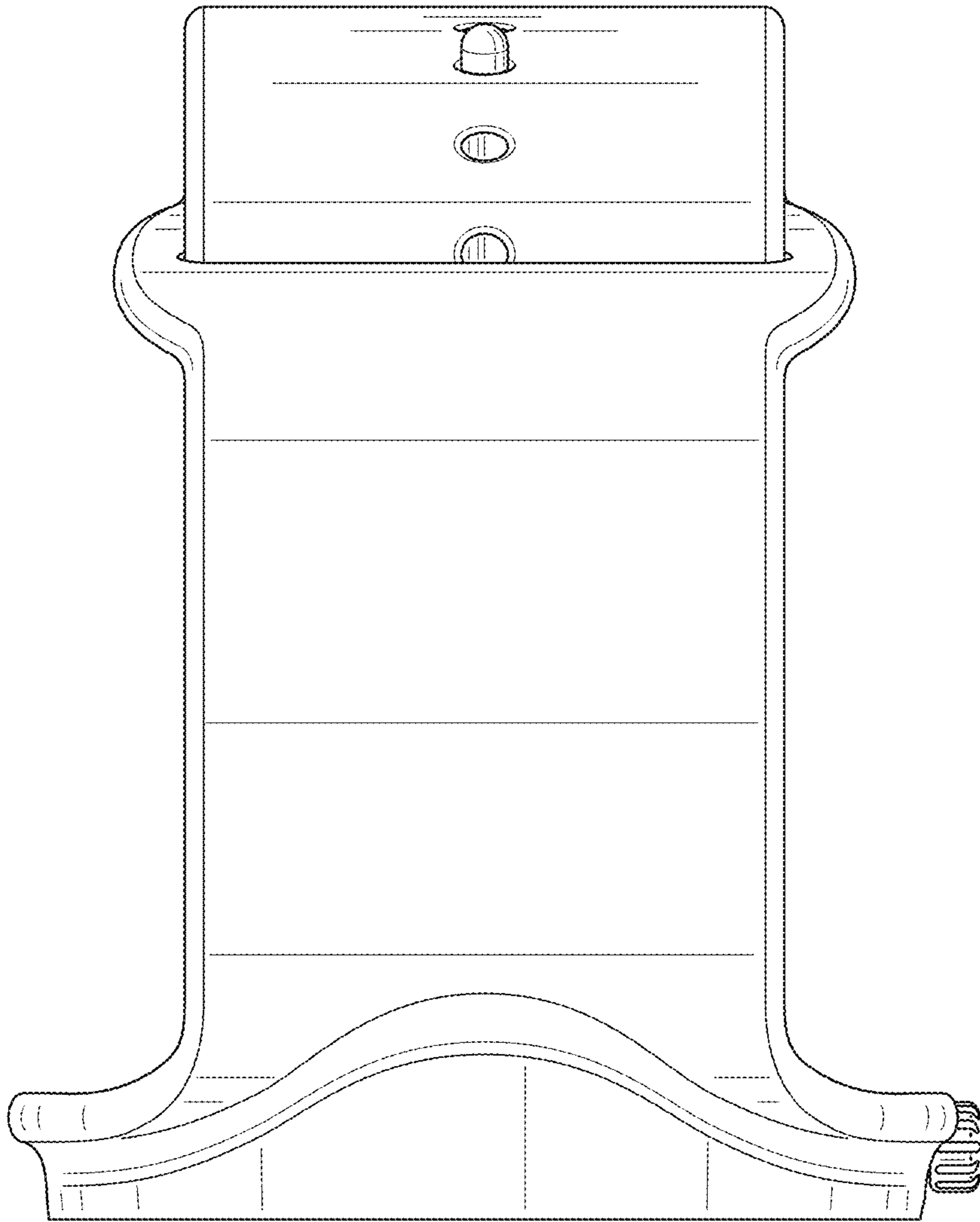


Fig. 13

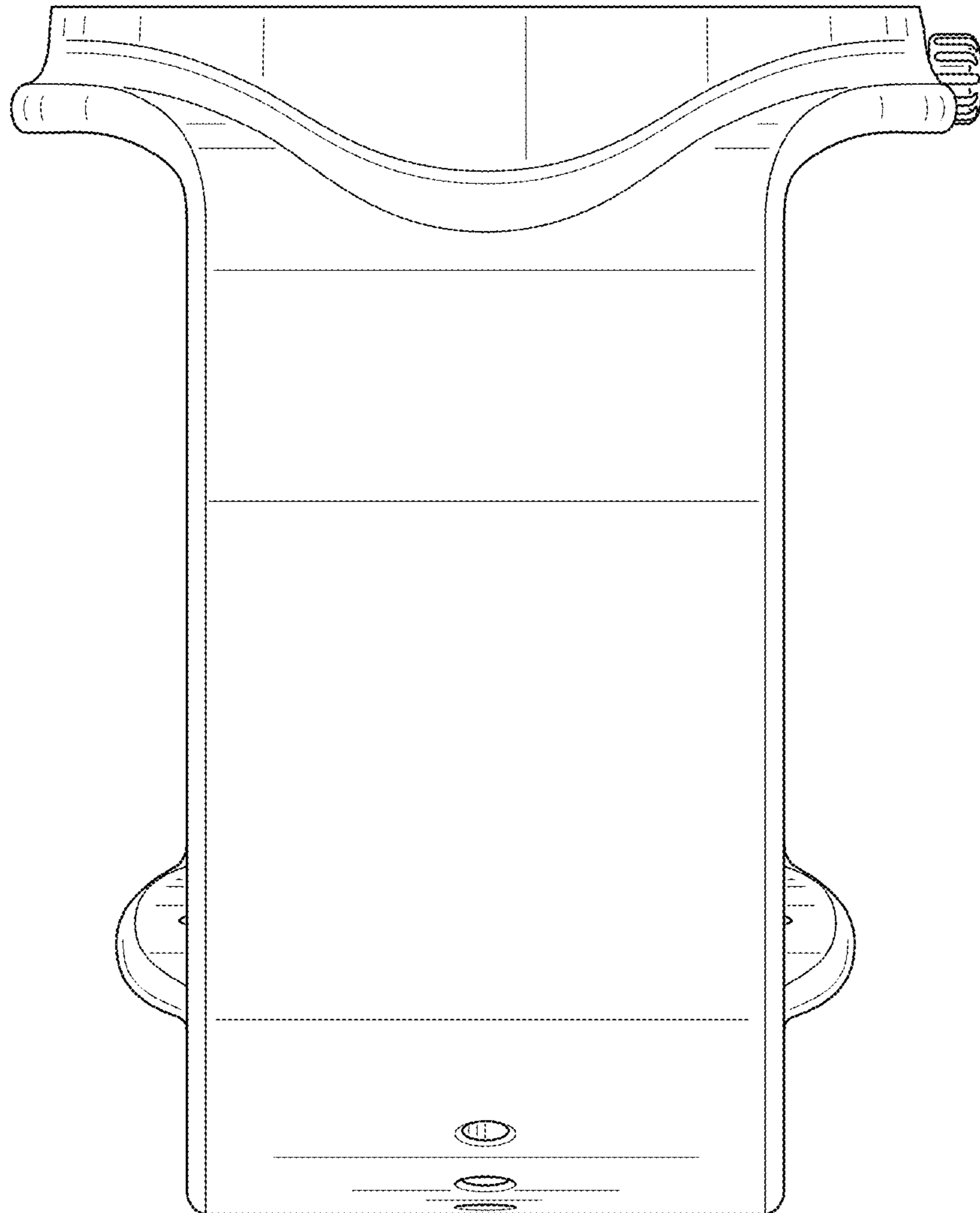


Fig. 14