



US00D816663S

(12) **United States Design Patent** (10) **Patent No.:** **US D816,663 S**
Lee et al. (45) **Date of Patent:** **** May 1, 2018**

(54) **PORTABLE ELECTRONIC DEVICE**

FOREIGN PATENT DOCUMENTS

(71) Applicant: **Samsung Electronics Co., Ltd.**,
Suwon-si (KR)

CN 201130057058.7 8/2011
JP D1997-076781 5/1999
JP D2001-014021 7/2002

(72) Inventors: **Yongyeon Lee**, Suwon-si (KR); **Ji-Yeon Kwak**, Seoul (KR); **Haeyoon Park**, Seoul (KR); **Kio Lee**, Seoul (KR)

OTHER PUBLICATIONS

Latest Transparent Phone—Phones—Nairaland, posted Nov. 22, 2013, [retrieved Aug. 17, 2017]. Retrieved from Internet, <URL: <http://www.nairaland.com/1527260/latest-transparent-phone> >.*

(73) Assignee: **Samsung Electronics Co., Ltd.**,
Suwon-si (KR)

(Continued)

(**) Term: **15 Years**

Primary Examiner — Barbara Fox

Assistant Examiner — Kristin E Reed

(21) Appl. No.: **29/554,407**

(74) *Attorney, Agent, or Firm* — NSIP Law

(22) Filed: **Feb. 11, 2016**

(57) **CLAIM**

We claim the ornamental design for a portable electronic device, as shown and described.

(30) **Foreign Application Priority Data**

DESCRIPTION

Aug. 18, 2015 (KR) 30-2015-0041435

(51) **LOC (11) Cl.** **14-02**

(52) **U.S. Cl.**
USPC **D14/341**

(58) **Field of Classification Search**
USPC D14/341–347, 125–134, 137, 138 R,
D14/138 AA, 138 AB, 138 C, 138 G, 147,
D14/203.1, 203.3, 203.4, 203.7, 218, 247,
D14/248, 332, 336, 371, 374–377, 388,
D14/389, 315–318, 420, 426, 429, 440,
D14/448, 450, 489, 492, 496;

FIG. 1 is a front perspective view of a portable electronic device showing our new design;
FIG. 2 is a front view thereof;
FIG. 3 is a rear view thereof;
FIG. 4 is a left-side view thereof;
FIG. 5 is a right-side view thereof;
FIG. 6 is a top view thereof;
FIG. 7 is a bottom view thereof;
FIG. 8 is a rear perspective view thereof;
FIG. 9 is an enlarged cross-sectional view of the encircled portion in FIG. 6 taken along line 9-9 in FIG. 2; and,
FIG. 10 is an enlarged view of the encircled portion in FIG. 4.

(Continued)

(56) **References Cited**

U.S. PATENT DOCUMENTS

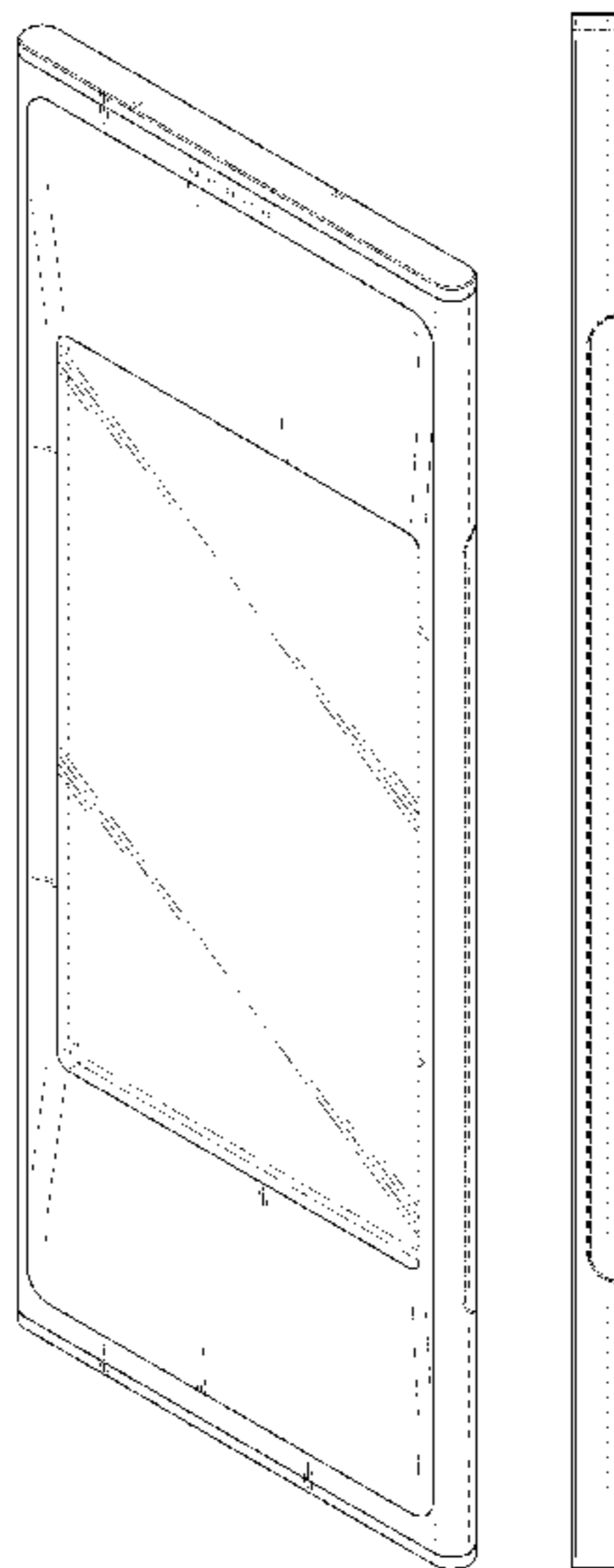
D383,497 S * 9/1997 Robertson D20/10
D506,476 S * 6/2005 Andre D14/203.7

(Continued)

The short dash-dash broken lines in the figures depict portions of the portable electronic device that form no part of the claimed design.

The dot-dash broken lines encircling portions of the claimed design that are illustrated in enlargements form no part of the claimed design.

1 Claim, 10 Drawing Sheets



(58) **Field of Classification Search**

USPC D6/300-310; D16/241; D18/6; D20/10,
D20/19, 39; D21/329, 330
CPC . A63H 33/3016; G06F 1/1613; G06F 1/1641;
G06F 1/1643; G06F 1/1647; G06F
3/04883; G06F 3/0486; G06F 3/04847;
G06F 3/04845; G06F 3/0484; G06F
3/04817; H05K 5/0004; H05K 5/0017;
H05K 5/02; H05K 5/0217; H04M 1/0279;
H04M 1/0281; H04M 1/0283; H04N
13/0459

See application file for complete search history.

(56) **References Cited**

U.S. PATENT DOCUMENTS

D506,937 S * 7/2005 Lee D10/65
D605,157 S * 12/2009 Kim D14/138 G
D611,470 S * 3/2010 Andre D14/341
D631,458 S * 1/2011 Liao D14/138 G
D636,752 S * 4/2011 Liao D14/138 G
D639,269 S * 6/2011 Kim D14/203.3
D652,403 S * 1/2012 Fahlgren D14/138 G
8,195,243 B2 * 6/2012 Kim G06F 1/1616
345/156
D665,372 S * 8/2012 Park D14/138 G

D675,209 S * 1/2013 Glanzer D14/440
D689,455 S * 9/2013 Daniel D10/65
D698,779 S * 2/2014 Kaula D14/341
D711,342 S * 8/2014 Wennerstrom D14/138 G
D712,867 S * 9/2014 Vats D14/138 AB
D744,595 S * 12/2015 Chapman D20/39
D768,594 S * 10/2016 Szeto D14/138 G

OTHER PUBLICATIONS

Tony Stark’s Transparent Phone Possible With Graphene?, posted Oct. 16, 2012, [retrieved Aug. 17, 2017]. Retrieved from Internet, <URL: <http://www.technovelgy.com/ct/Science-Fiction-News.asp?NewsNum=3785> >.*

Take a look through this transparent smartphone screen, posted May 31, 2012, [retrieved Aug. 17, 2017]. Retrieved from Internet, <URL: <https://www.cnet.com/news/changing-the-face-of-technology-women-in-technology/> >.*

Moon, Mariella “Flexible phone concept bends to control apps” [2015] www.engadget.com Aug. 27, 2015 <<http://www.engadget.com/2015/08/27/taiwanese-auo-flexible-phone/>>.

LG Mobile. “New Chocolate” [2016] www.lgmobile.co.kr Jan. 15, 2016 <<http://www.lgmobile.co.kr/mobile-phone/U630/LG-LU6300/>>.

“Flexible AMOLED”. [2011] www.photohistory.tistory.com Sep. 9, 2011 <<http://photohistory.tistory.com/10654>>.

* cited by examiner

FIG. 1

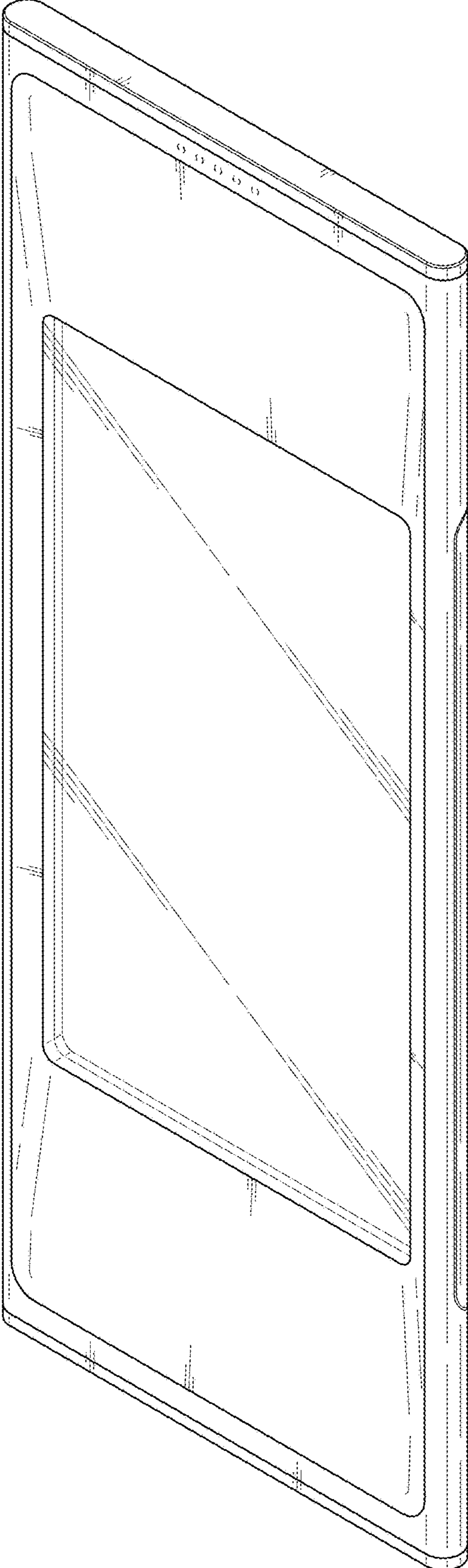


FIG. 2

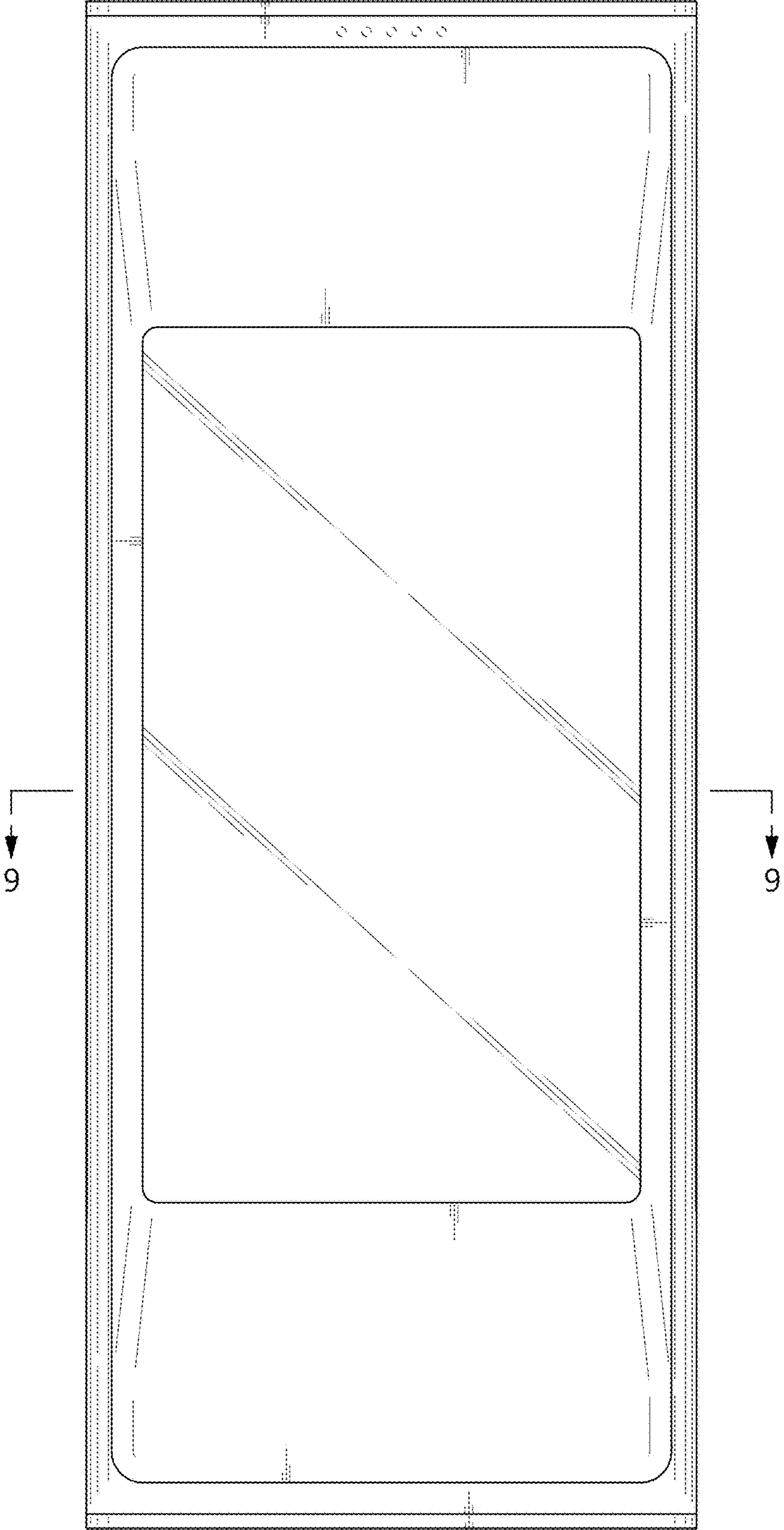


FIG. 3

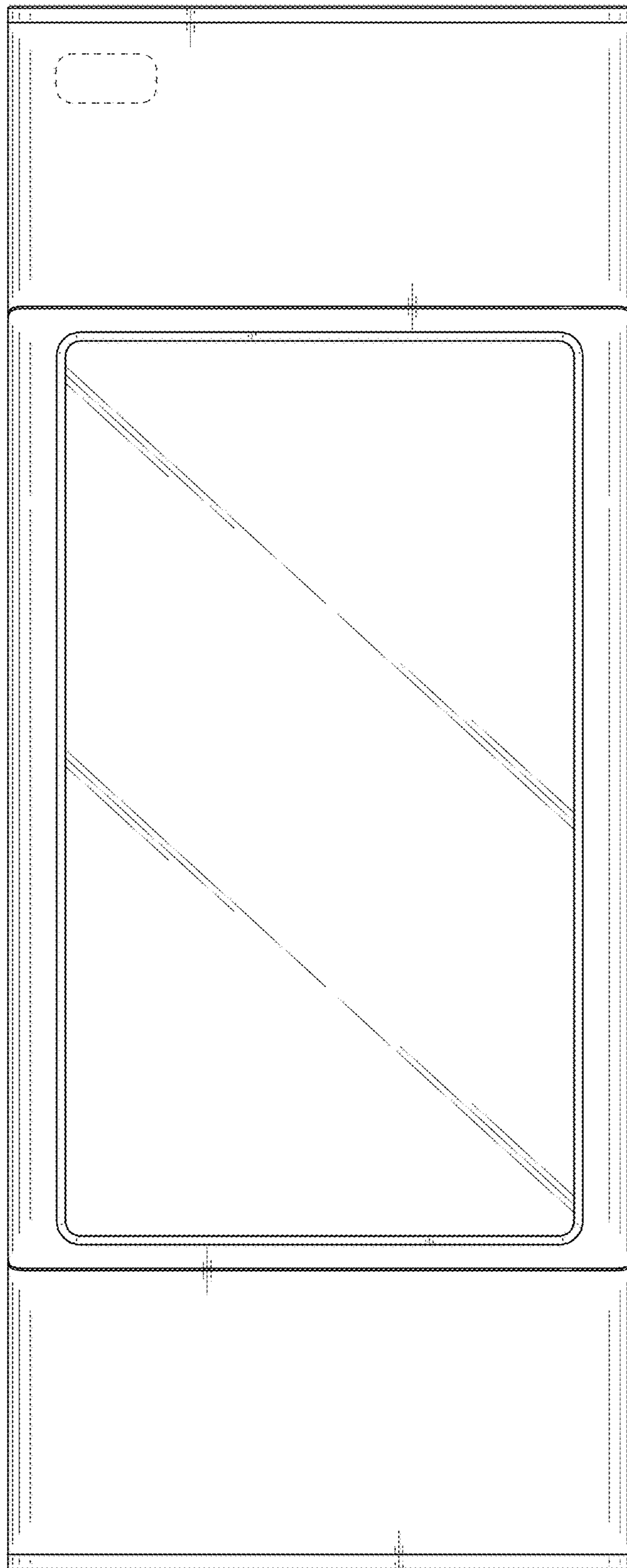


FIG. 4

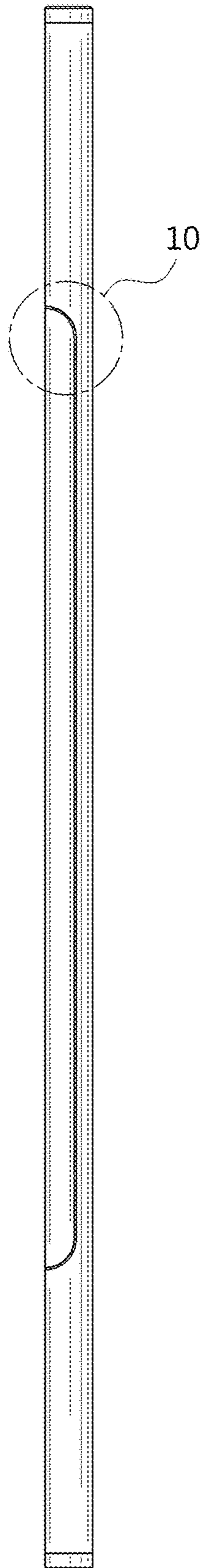


FIG. 5

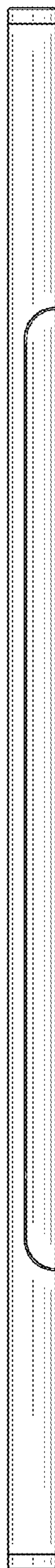


FIG. 6

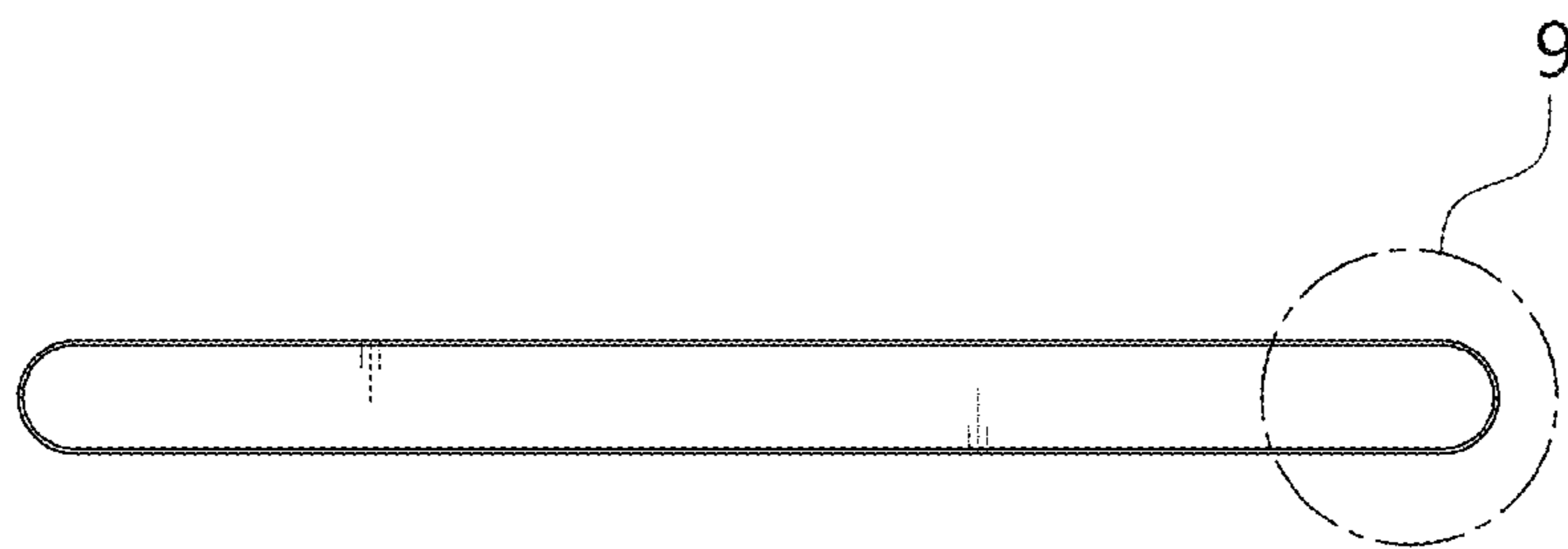


FIG. 7



FIG. 8

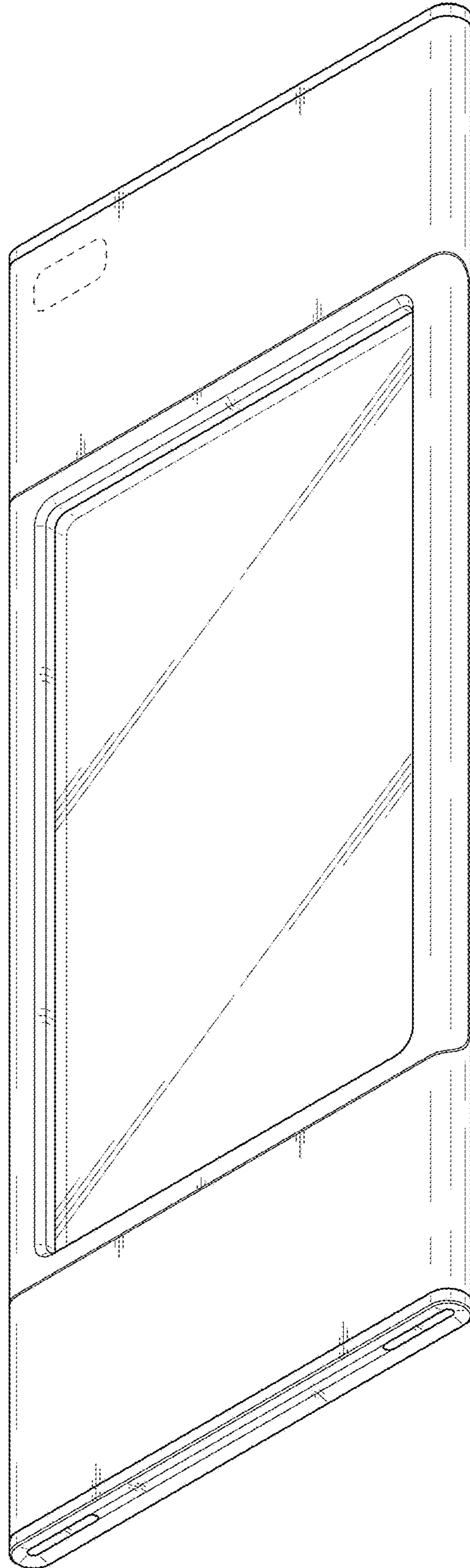


FIG. 9

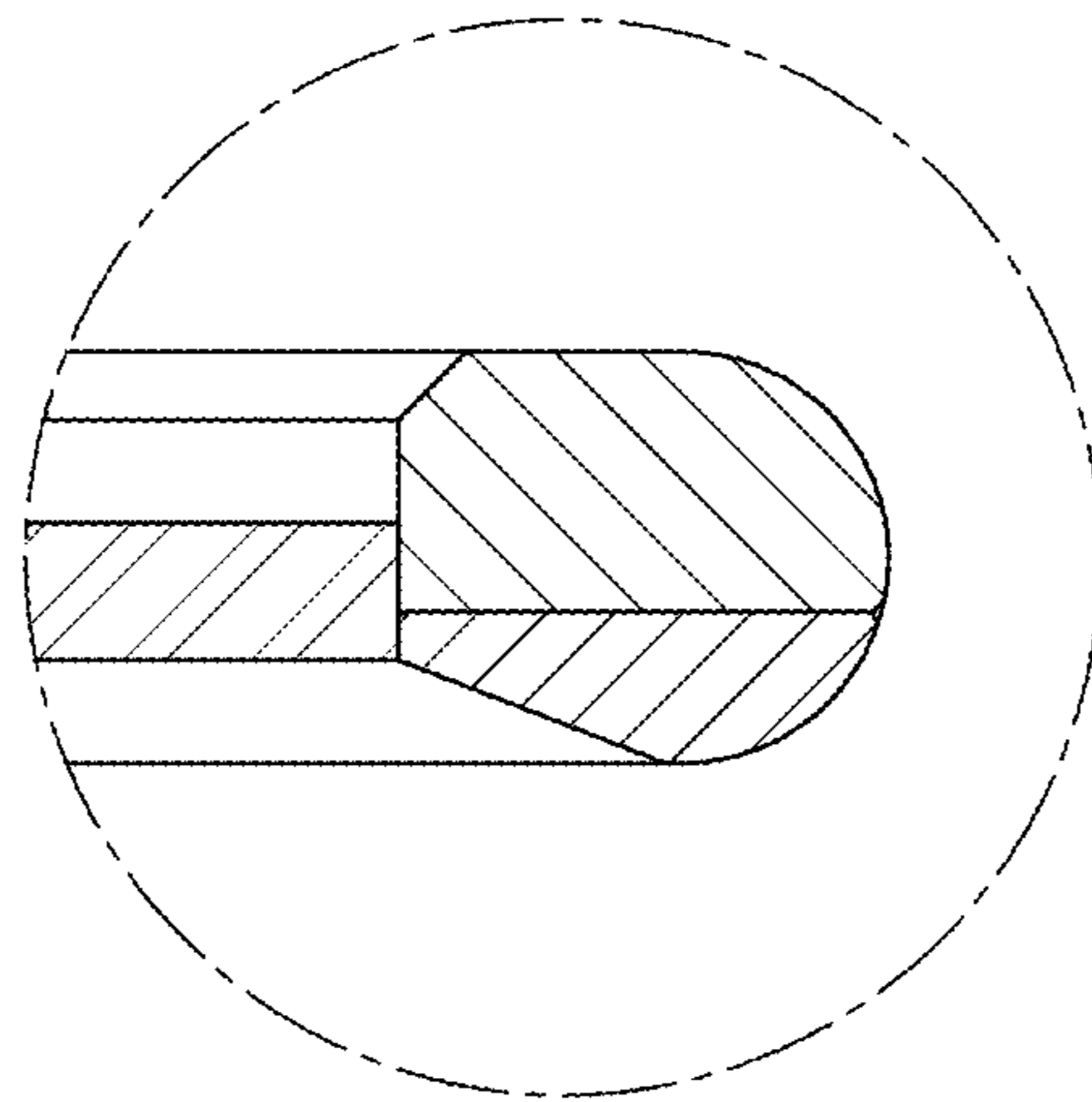


FIG. 10

