



US00D816662S

(12) **United States Design Patent** (10) **Patent No.:** **US D816,662 S**
Haller et al. (45) **Date of Patent:** **** May 1, 2018**

(54) **ELECTRONIC DEVICE**

11/041; F16M 11/126; F16M 11/04;
F16M 11/24; F16M 13/02; A47F 5/00

See application file for complete search history.

(71) Applicant: **Elo Touch Solutions, Inc.**, Milpitas,
CA (US)

(56) **References Cited**

U.S. PATENT DOCUMENTS

(72) Inventors: **Jeffrey Haller**, Redwood City, CA
(US); **Lukas Martin Scherrer**, San
Francisco, CA (US)

6,053,411 A * 4/2000 Nugent, Jr. G07G 1/0018
235/462.43

6,971,622 B2 12/2005 Ziegler et al.

7,011,285 B2 3/2006 Wang et al.

7,016,181 B2 * 3/2006 Ito G06F 1/1626
248/122.1

(73) Assignee: **Elo Touch Solutions, Inc.**, Milpitas,
CA (US)

7,104,516 B2 9/2006 Uto et al.

D614,617 S * 4/2010 Pepper D14/336

7,708,243 B2 5/2010 Wang et al.

D634,320 S 3/2011 Bliven et al.

D638,412 S 5/2011 Lee

(**) Term: **15 Years**

(Continued)

(21) Appl. No.: **29/591,950**

OTHER PUBLICATIONS

(22) Filed: **Jan. 25, 2017**

Casio V-R100 Android Terminal [Retrieved from the Internet:
<URL: <http://www.cev.ie>>. (dated Apr. 16, 2013) 6 pages.

(Continued)

Related U.S. Application Data

Primary Examiner — Freda S Nunn

(63) Continuation of application No. 29/546,193, filed on
Nov. 19, 2015, now Pat. No. Des. 778,277, which is
a continuation of application No. 29/496,746, filed on
Jul. 16, 2014, now Pat. No. Des. 744,479.

(74) *Attorney, Agent, or Firm* — Sterne, Kessler,
Goldstein & Fox P.L.L.C.

(51) **LOC (11) Cl.** **14-02**

(57) **CLAIM**

The ornamental design for an electronic device, as shown
and described.

(52) **U.S. Cl.**

USPC **D14/336**

DESCRIPTION

(58) **Field of Classification Search**

USPC D14/371–375, 125–129, 336, 337, 341;
D6/300, 308; D19/113, 114; D20/10

CPC G09F 15/0025; G09F 15/0062; G09F
15/0068; G06F 1/16; G06F 1/1613; G06F

1/133308; G06F 1/1601; G06F 3/037;

G06F 1/162; F16M 11/02; F16M 11/10;

F16M 11/00; F16M 11/06; F16M 11/18;

F16M 11/045; F16M 11/105; F16M

(Continued)

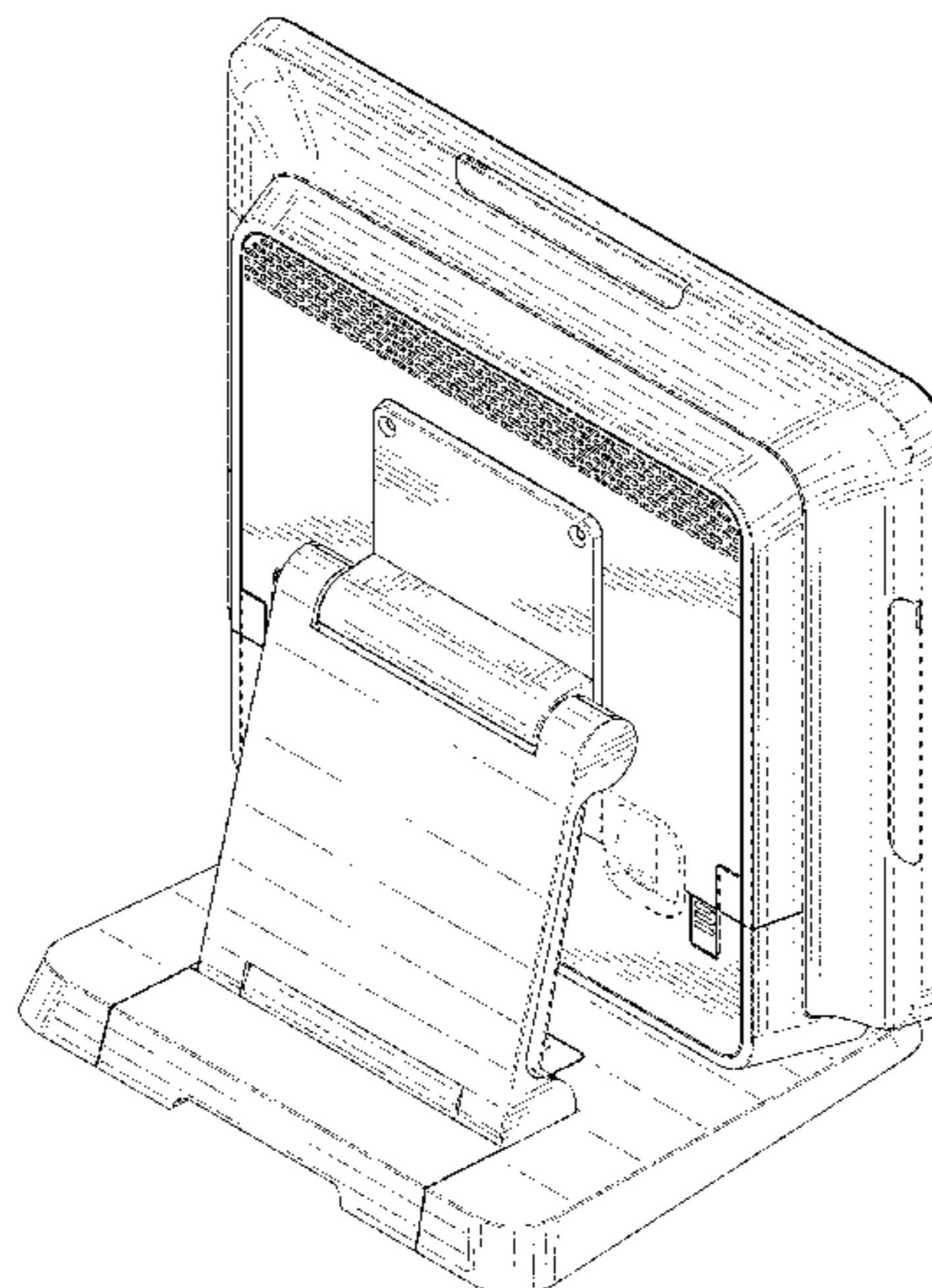
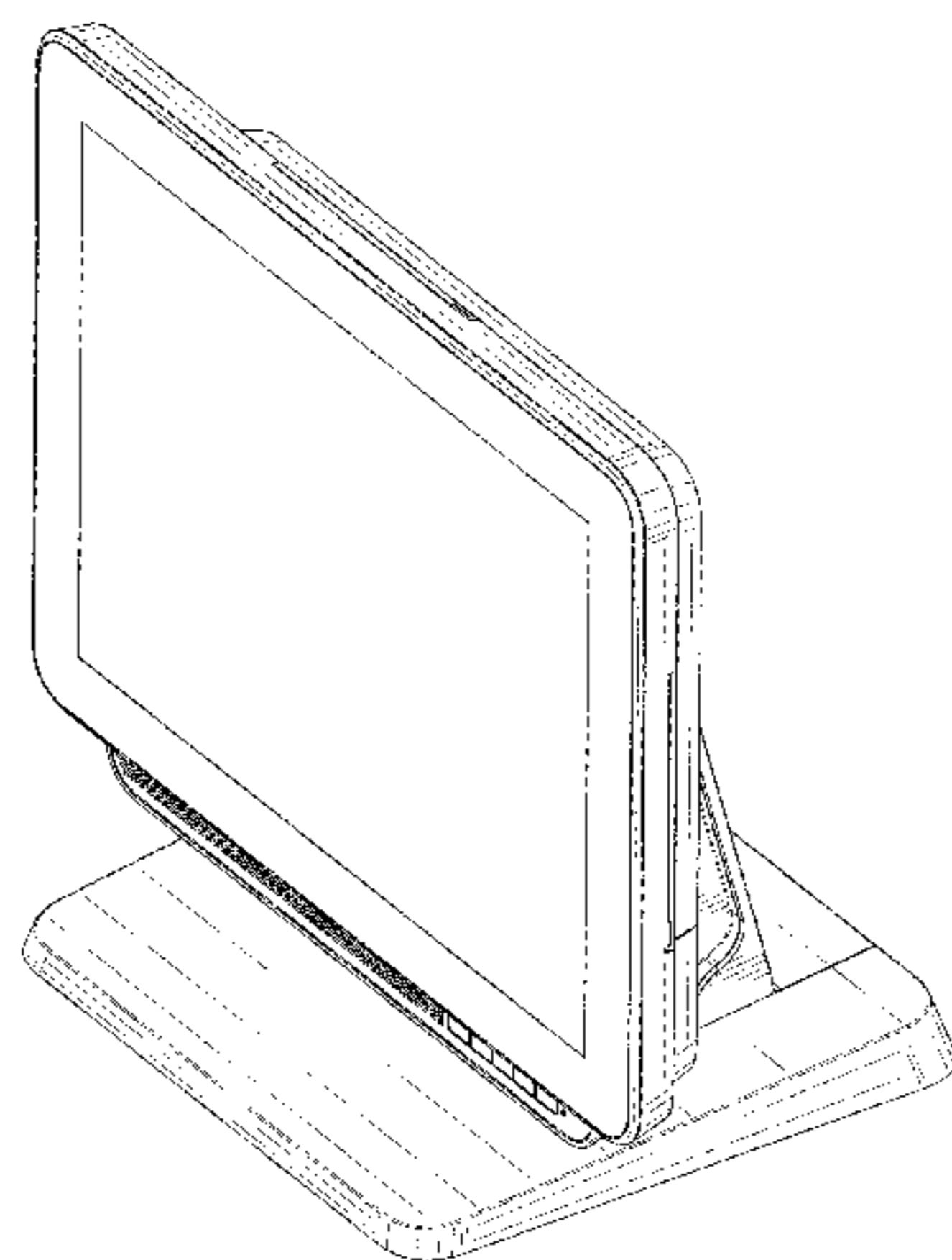


FIG. 8 is a top view thereof; and,
 FIG. 9 is a bottom view thereof.
 The broken lines in the figures show portions of the elec-
 tronic device that form no part of the claimed design.

1 Claim, 9 Drawing Sheets

(56)

References Cited

U.S. PATENT DOCUMENTS

8,089,760	B2	1/2012	Yi-Chang	
D661,692	S	6/2012	Sanlaville	
8,328,153	B2 *	12/2012	Yang	F16M 11/38 248/370
D691,996	S	10/2013	Ohshima	
8,662,465	B2 *	3/2014	Huang	G06F 1/203 248/176.1
8,800,937	B1	8/2014	Lee et al.	
D722,315	S *	2/2015	Liang	D14/336
D725,182	S	3/2015	Haller et al.	
D735,343	S *	7/2015	Dorsey	D24/186
D744,479	S	12/2015	Haller et al.	
9,280,179	B2 *	3/2016	Morrison	G06F 1/1626
9,377,810	B2 *	6/2016	Hishinuma	G06F 1/1613
D761,901	S *	7/2016	Kim	D14/371
D778,279	S	2/2017	Pendse et al.	
2005/0207112	A1 *	9/2005	Bakker	G06F 1/1632 361/679.41
2005/0253040	A1 *	11/2005	Yang	F16M 11/10 248/688
2010/0012810	A1 *	1/2010	Hu	F16M 11/10 248/408
2015/0199667	A1	7/2015	Fernando et al.	

OTHER PUBLICATIONS

CashRegisterStore.com:: Cash Registers:: Casio:: Casio V-R 100:: Casio V-R100 Touch Screen Tablet [online] [retrieved Jul. 1, 2013]. Retrieved from the Internet: <URL: www.cashregisterstore.com/xcart/product.php?productid=4675&cat=2799&page=1>. (undated) 3 pages.

Casio VR 100 Till EPOS Systems, Android App Suppliers, Software Company [online] [retrieved Jul. 1, 2013]. Retrieved from the Internet: <URL: www.casiovr100.co.uk>. (dated 2012) 4 pages.

POS Software and Hardware, Retail and Restaurant POS Systems, Security cameras, DVR, Recorders, Portable Inventory | International Point of Sale [online] [retrieved Jul. 1, 2013]. Retrieved from the Internet: <URL: www.internationalpointofsale.com/completepos.html>. (dated 2009) 4 pages.

Wholesale All in one touch POS machine touch screen terminal cash register wireless meals ordering set, \$397.1~418.0/Set | DHgate [online] [retrieved Jul. 1, 2013]. Retrieved from the Internet: <URL: www.dhgate.com/product/all-in-one-touch-pos-machine-touch-screen/135165997.html>. (undated) 1 page.

Aliexpress.com: Buy 15" all in one touch screen cash register from Reliable touch screen cash register supplies on Professional touch screen POS system . . . [online] [retrieved Jul. 1, 2013]. Retrieved from the Internet: <URL: www.aliexpress.com/store/product/15-all-in-one-touch-screen-cash-register/803507_522289154.html>. (dated 1999-2013) 12 pages.

Posiflex XP3315 Series Electronic Cash Register (ECR) [online] [retrieved Jul. 1, 2013]. Retrieved from the Internet: <URL: www.posiflexusa.com/xp3315.php>. (dated 2013) 1 page.

AppleInsider, "Groupon eyes massive rollout of new 'Gnome' iPad-based POS system", http://appleinsider.com/articles/14/05/19/groupon-eyes-massive-rollout-of-new-gnome-ipad-based-pos-system?utm_source=dlvr.it&utm_medium=facebook, accessed on May 19, 2014, 10 pages.

* cited by examiner

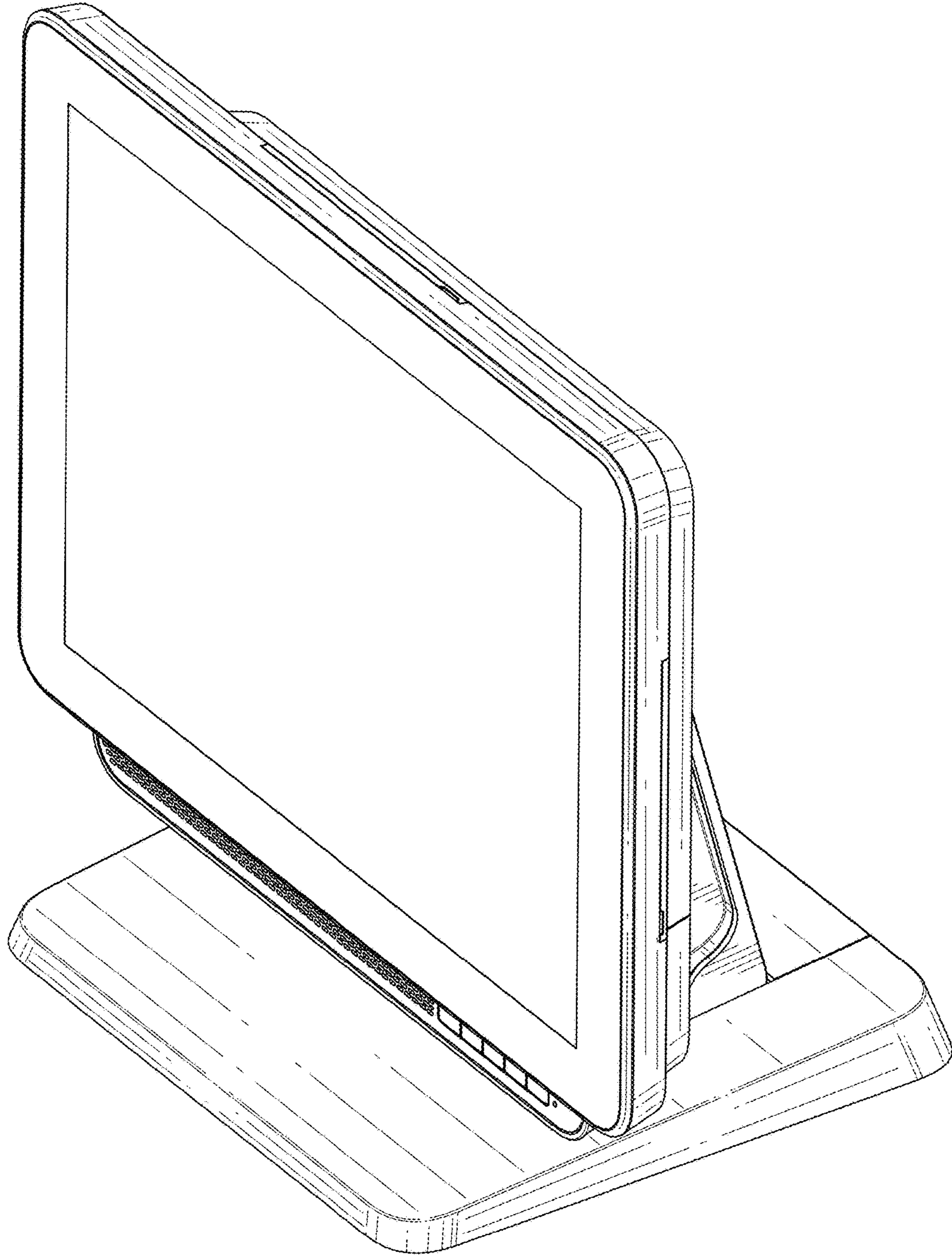


FIG. 1

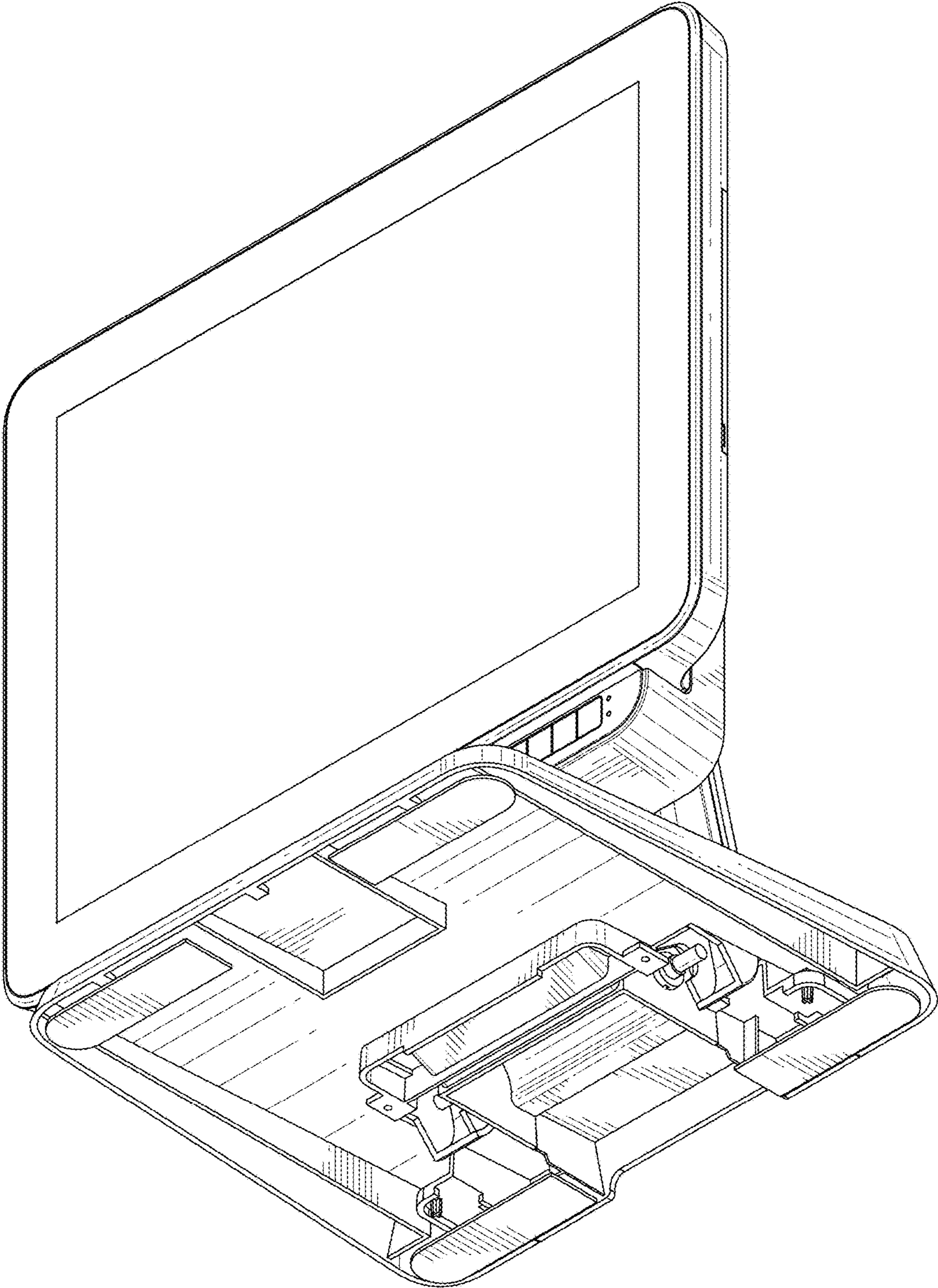


FIG. 2

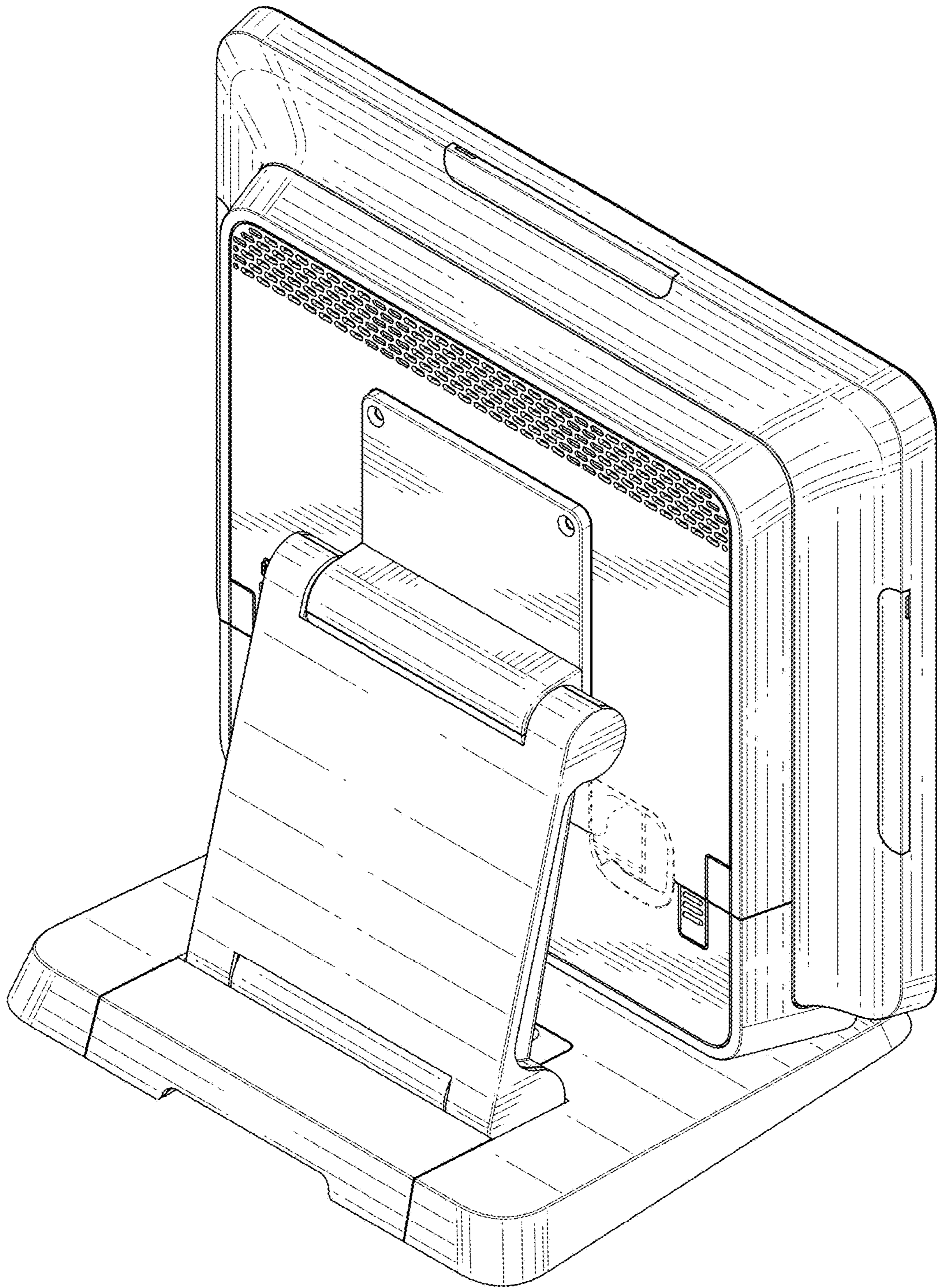


FIG. 3

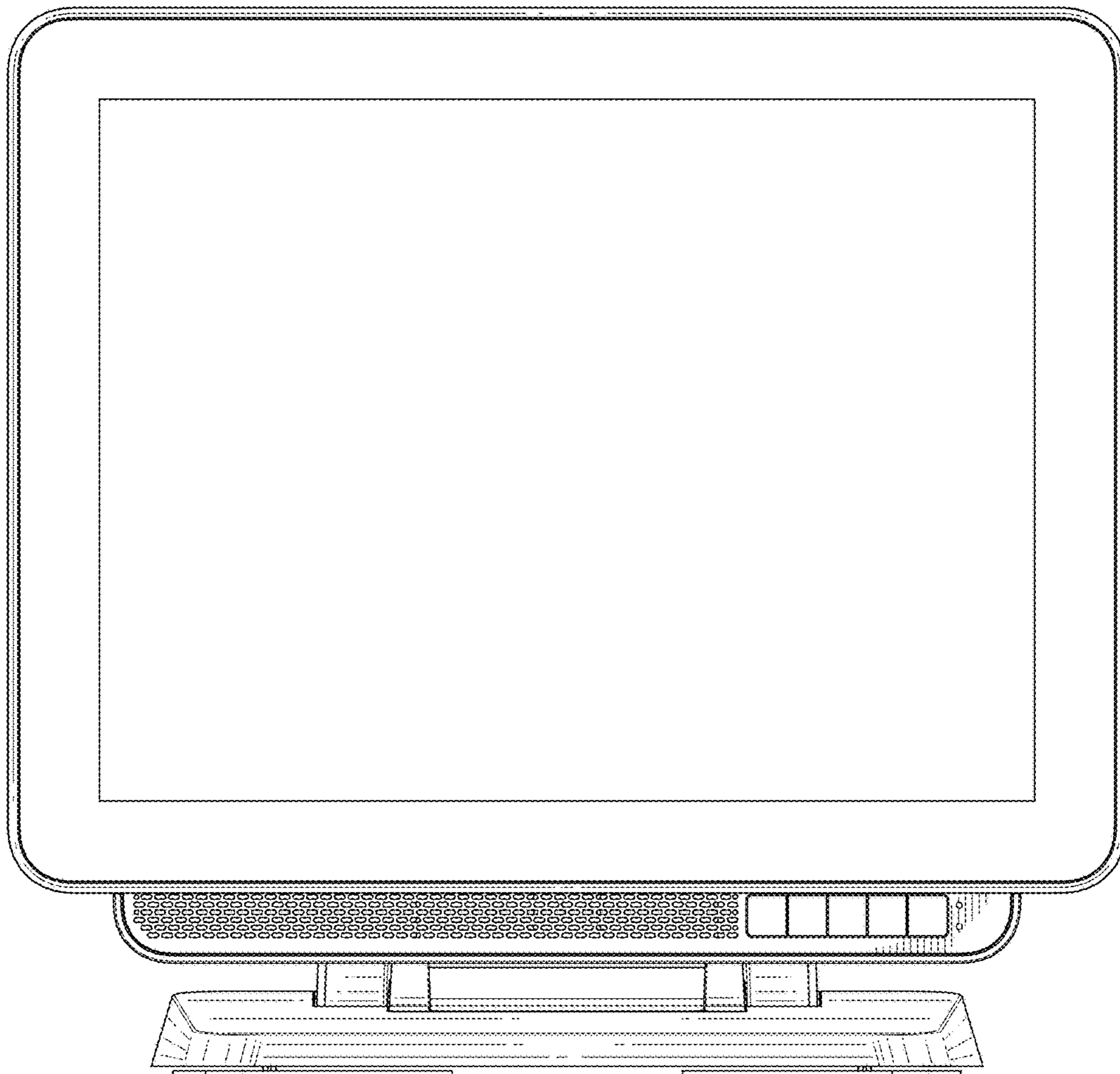


FIG. 4

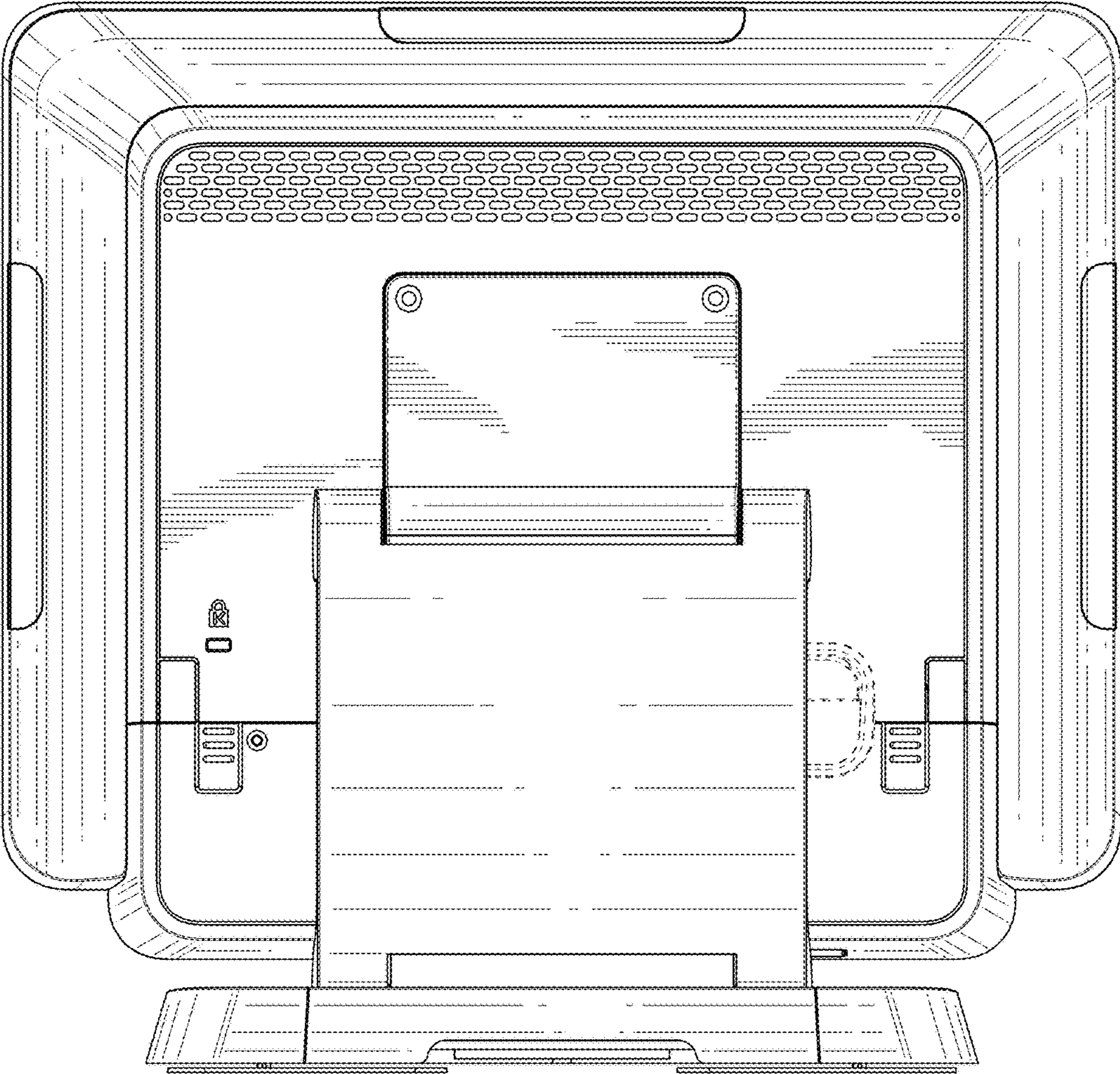


FIG.5

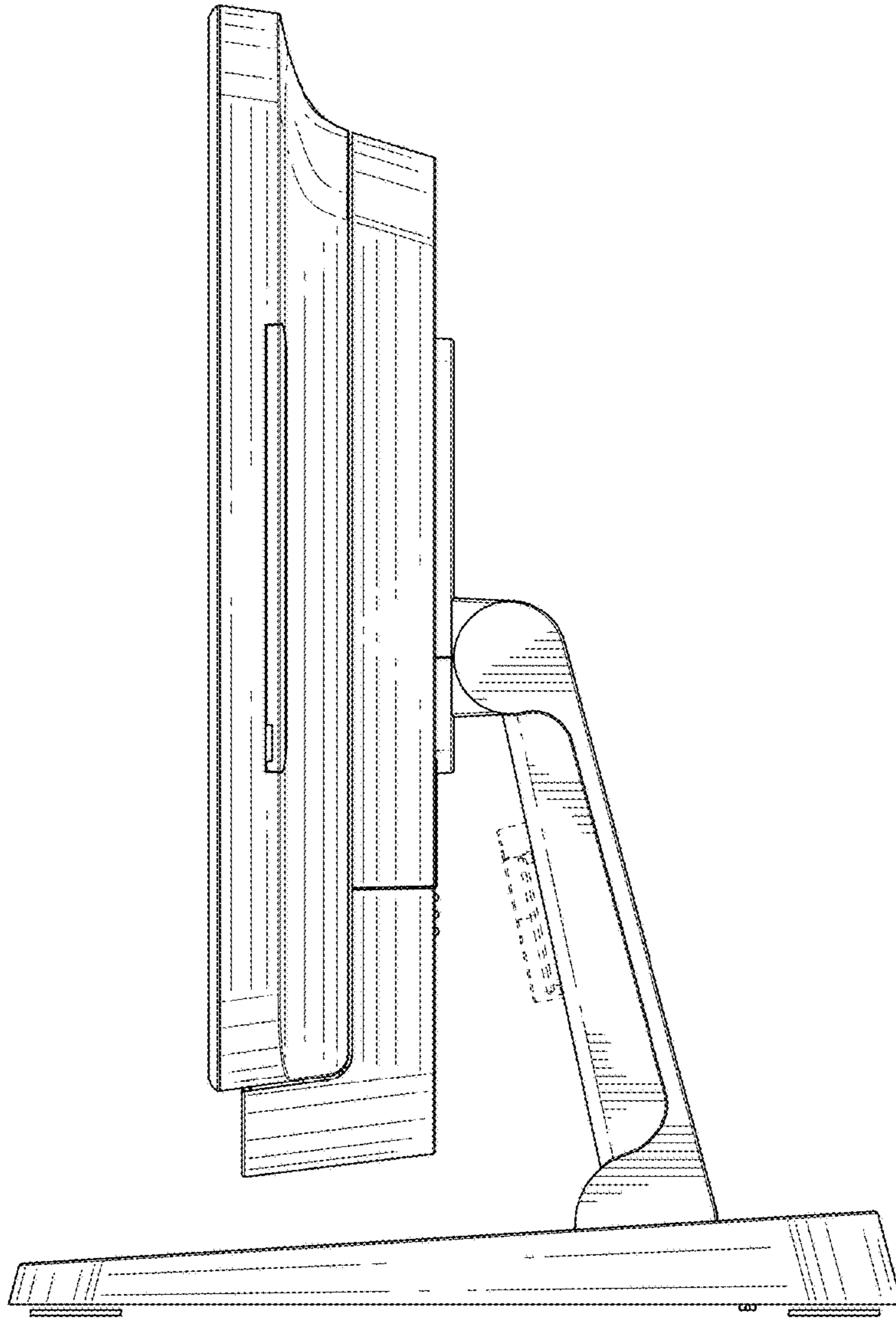


FIG. 6

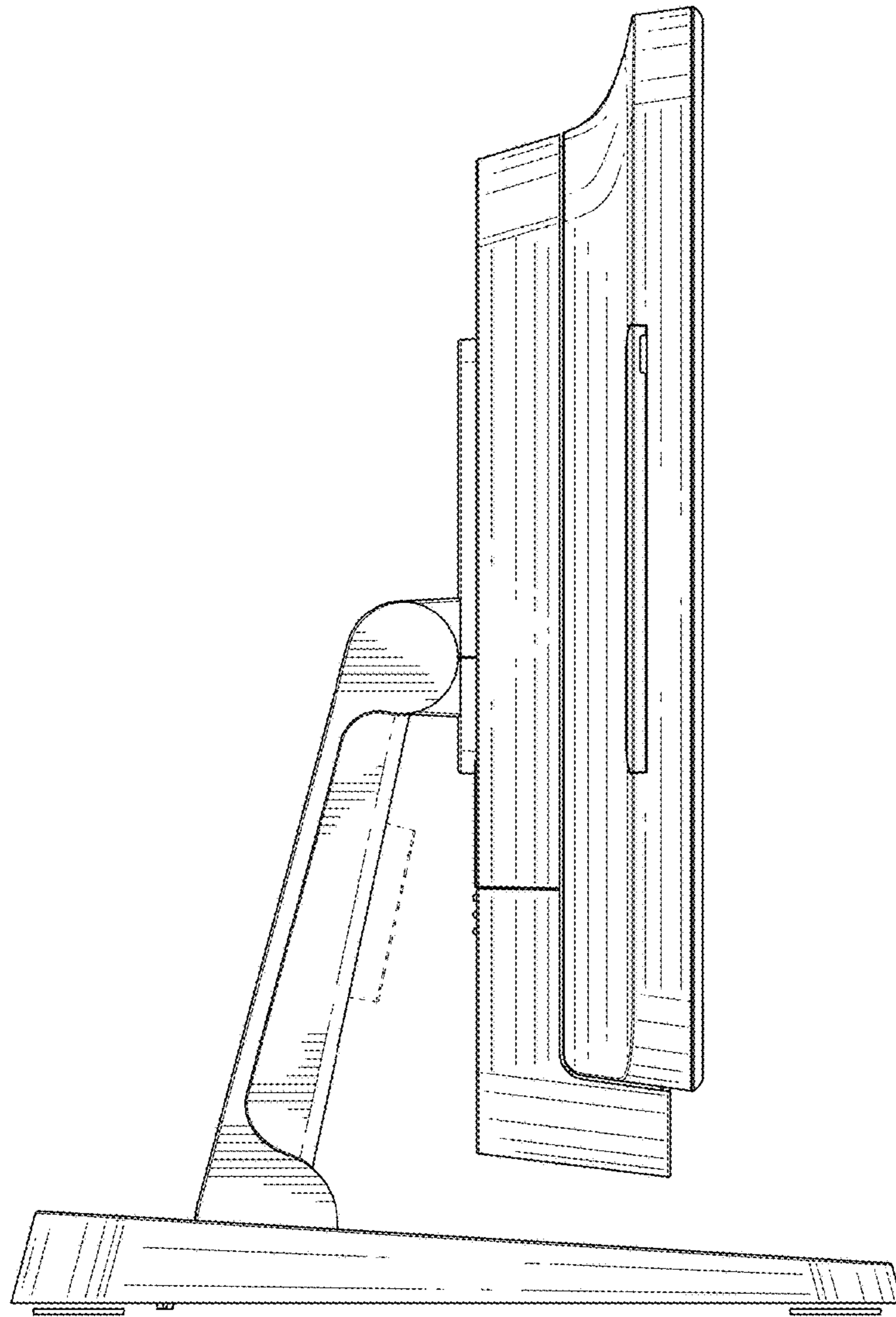


FIG. 7

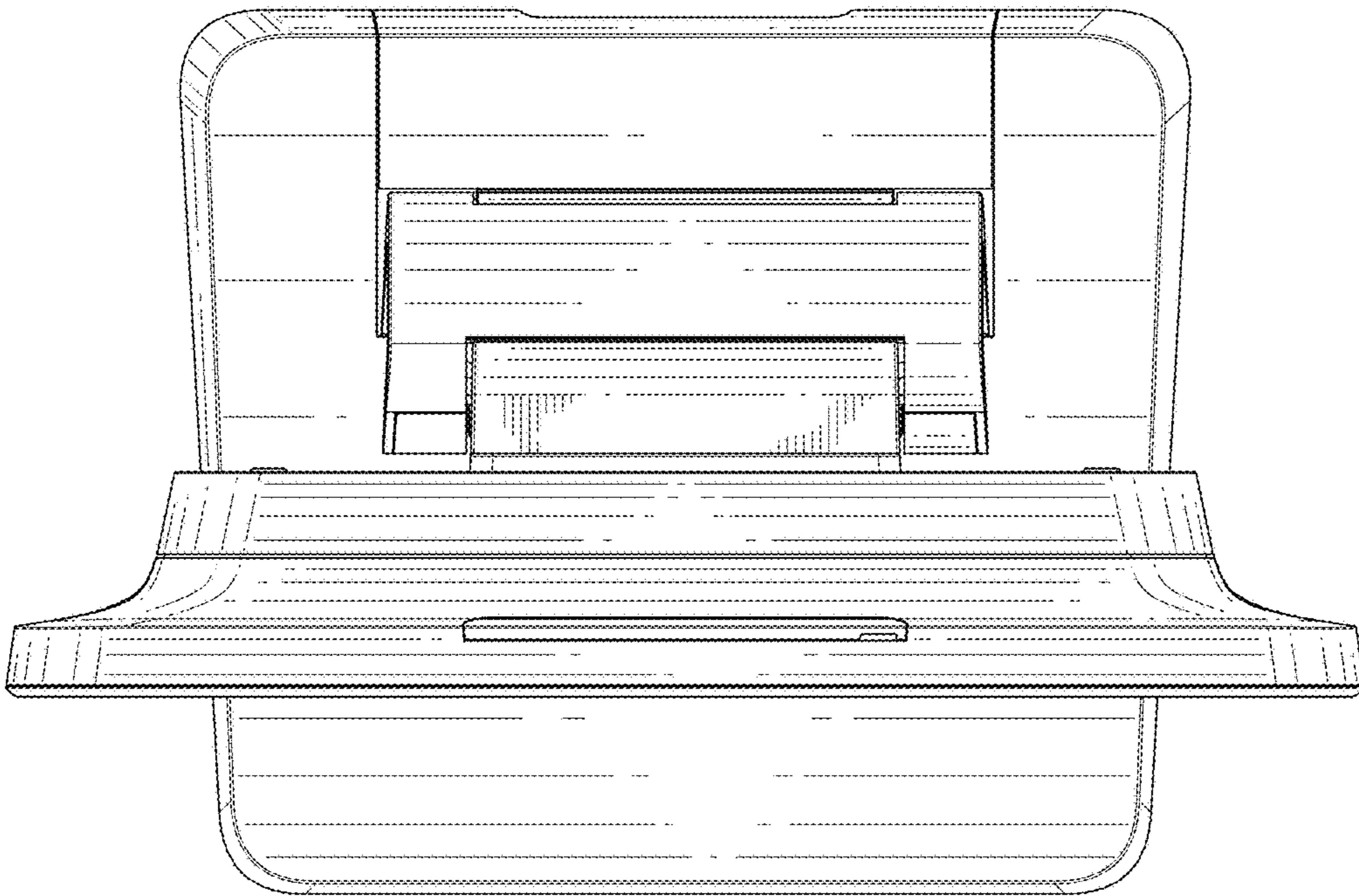


FIG. 8

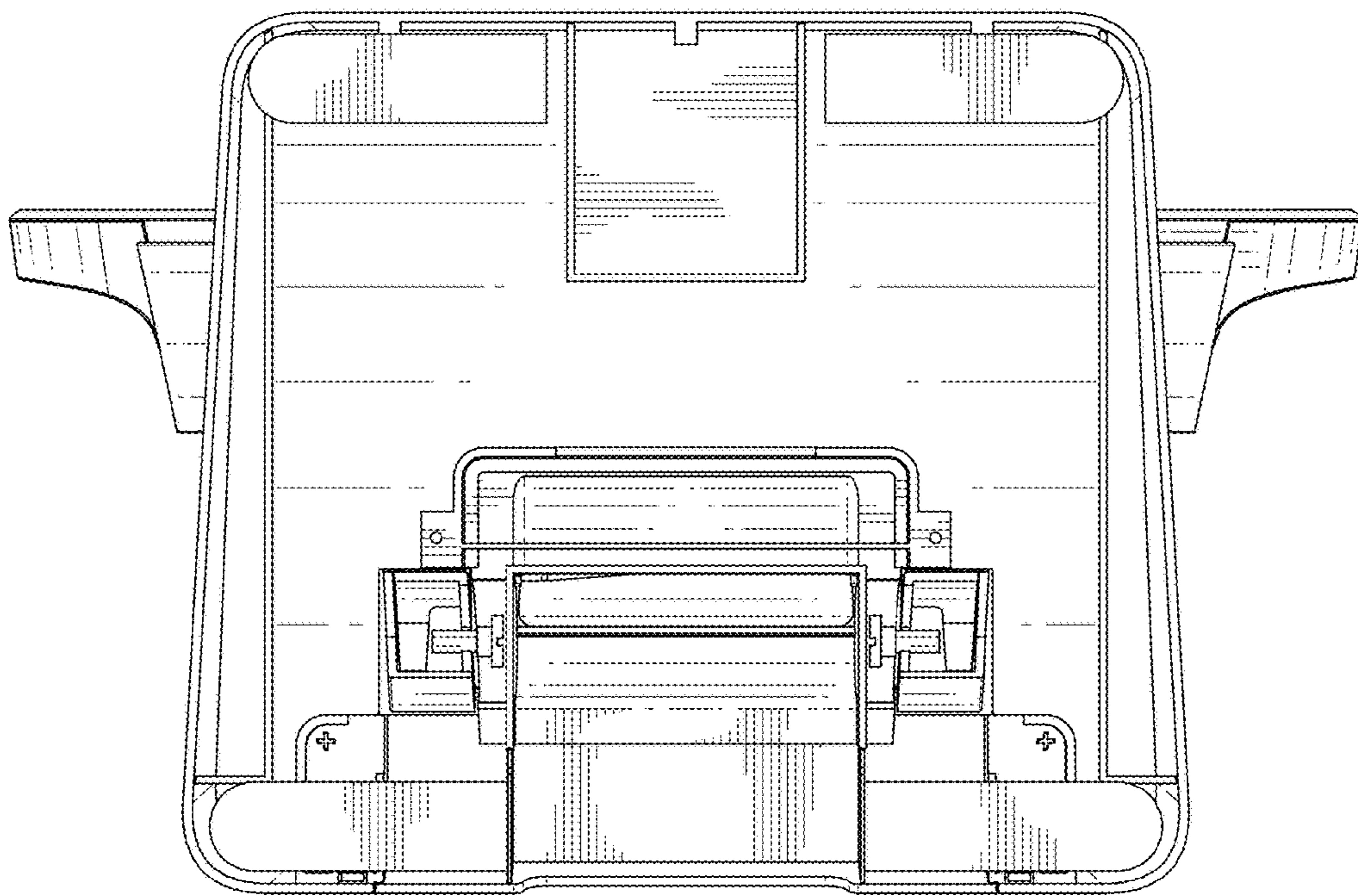


FIG. 9