



US00D816660S

(12) **United States Design Patent** (10) **Patent No.:** **US D816,660 S**
Cheng et al. (45) **Date of Patent:** **** May 1, 2018**

(54) **NOTEBOOK COMPUTER**

(71) Applicants: **Chen-Hsien Cheng**, Taipei (TW);
Li-Fang Chen, Taipei (TW); **Wei-Ning Chai**, Taipei (TW); **Wang-Hung Yeh**, Taipei (TW); **Hsiao-Ching Hung**, Taipei (TW)

(72) Inventors: **Chen-Hsien Cheng**, Taipei (TW);
Li-Fang Chen, Taipei (TW); **Wei-Ning Chai**, Taipei (TW); **Wang-Hung Yeh**, Taipei (TW); **Hsiao-Ching Hung**, Taipei (TW)

(73) Assignee: **COMPAL ELECTRONICS, INC.**, Taipei (TW)

(**) Term: **15 Years**

(21) Appl. No.: **29/577,370**

(22) Filed: **Sep. 13, 2016**

(51) **LOC (11) Cl.** **14-02**

(52) **U.S. Cl.**
USPC **D14/315**

(58) **Field of Classification Search**
USPC D14/315-327; D18/1, 2, 7, 11;
235/145 A, 145 R; 341/22, 23; 345/104,
(Continued)

(56) **References Cited**

U.S. PATENT DOCUMENTS

D615,539 S * 5/2010 Jen D14/315
D705,773 S * 5/2014 Tian D14/315
(Continued)

Primary Examiner — Freda S Nunn

(74) *Attorney, Agent, or Firm* — JCIPRNET

(57) **CLAIM**

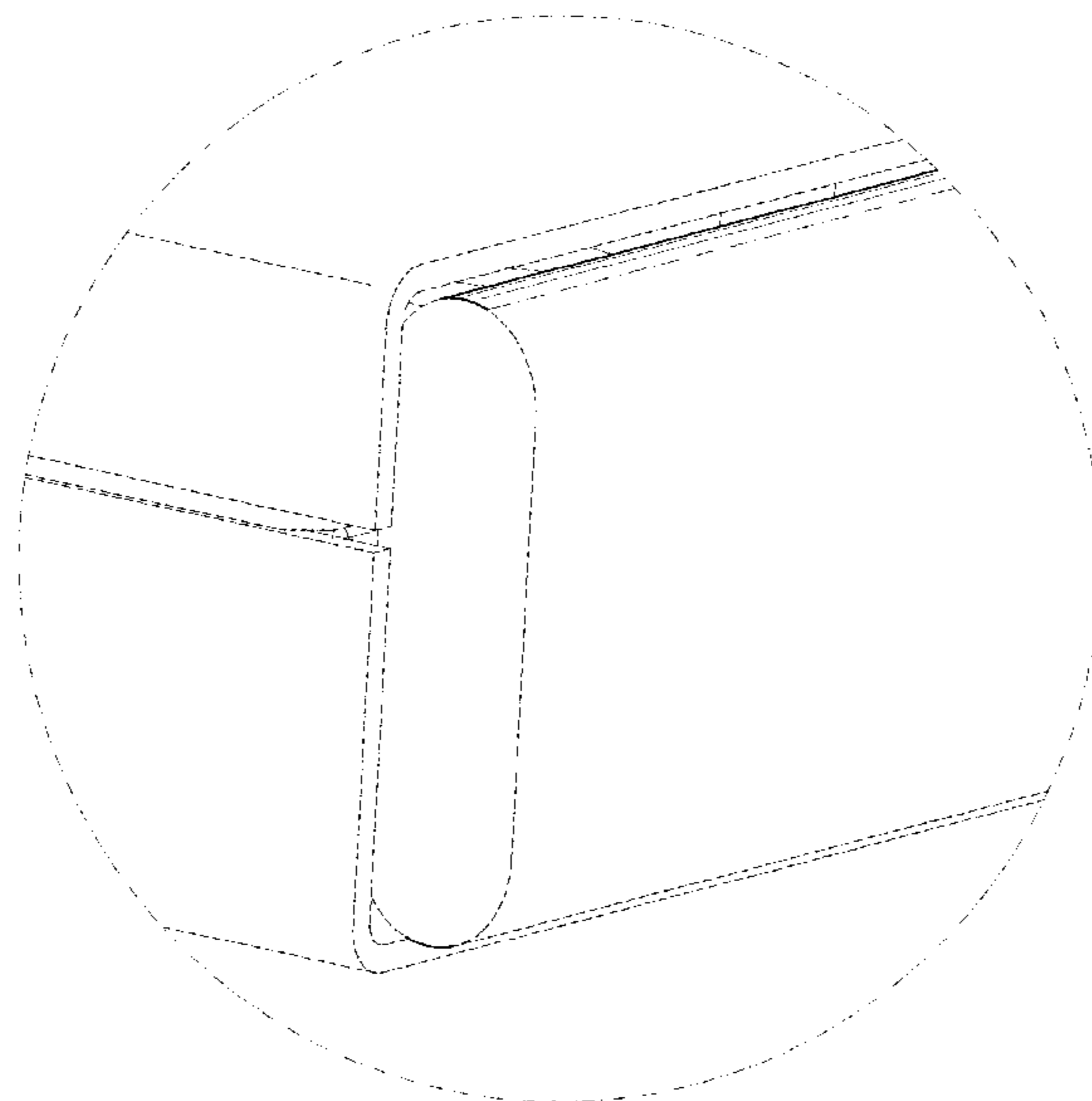
The ornamental design for a notebook computer, as shown and described.

DESCRIPTION

FIG. 1 is a perspective view of a notebook computer showing our new design;
FIG. 2 is a front view thereof;
FIG. 3 is a rear view thereof;
FIG. 4 is a left side view thereof;
FIG. 5 is a right side view thereof;
FIG. 6 is a top view thereof;
FIG. 7 is a bottom view thereof;
FIG. 8 is a perspective view thereof in an opened position;
FIG. 9 is an enlarged view of the circled portion so indicated in FIG. 1 thereof;
FIG. 10 is an enlarged view of the right circled portion so indicated in FIG. 2 thereof;
FIG. 11 is an enlarged view of the left circled portion so indicated in FIG. 2 thereof;
FIG. 12 is an enlarged view of the circled portion so indicated in FIG. 4 thereof;
FIG. 13 is an enlarged view of the circled portion so indicated in FIG. 5 thereof;
FIG. 14 is an enlarged view of the right circled portion so indicated in FIG. 6 thereof;
FIG. 15 is an enlarged view of the left circled portion so indicated in FIG. 6 thereof;
FIG. 16 is an enlarged view of the right circled portion so indicated in FIG. 7 thereof; and,
FIG. 17 is an enlarged view of the left circled portion so indicated in FIG. 7 thereof.

The dot-dashed broken lines represent a boundary of the claimed design and form no part of the claimed design. The dashed broken line showing of portions of the notebook computer is for the purpose of illustrating unclaimed portions of the notebook computer and forms no part of the claimed design.

1 Claim, 12 Drawing Sheets



(58) **Field of Classification Search**

USPC 345/156, 168, 169, 173; 361/679.08,
361/679.09, 679.11, 679.26, 679.27
CPC G06F 1/16; G06F 1/1616; G06F 1/1626;
G06F 1/1632; G06F 1/1613; G06F
1/1601; G06F 1/1618; G06F 1/162; G06F
1/166; G06F 1/1654; G06F 1/1681; G06F
1/1637; G06F 1/1688; G06F 1/1656;
H01R 35/02; H03M 11/00; G09B 13/04;
H03K 17/94; G09G 5/00; F16M 11/10;
H05K 5/00; H04M 1/0237; Y10T 16/52;
Y10T 16/533; Y10T 16/547; Y10T
16/5385; Y10T 16/5472; Y10T 16/5476;
Y10T 16/54038

See application file for complete search history.

(56) **References Cited**

U.S. PATENT DOCUMENTS

D736,760 S * 8/2015 Tanner D14/315
D739,854 S * 9/2015 Bowers D14/315
D741,851 S * 10/2015 Kim D14/315
D743,958 S * 11/2015 Goh D14/315
D751,062 S * 3/2016 Chang D14/318
D752,574 S * 3/2016 Lam D14/315
D753,645 S * 4/2016 Tian D14/315
D756,350 S * 5/2016 Sun D14/315
2005/0041378 A1 * 2/2005 Hamada G06F 1/1616
361/679.01

* cited by examiner

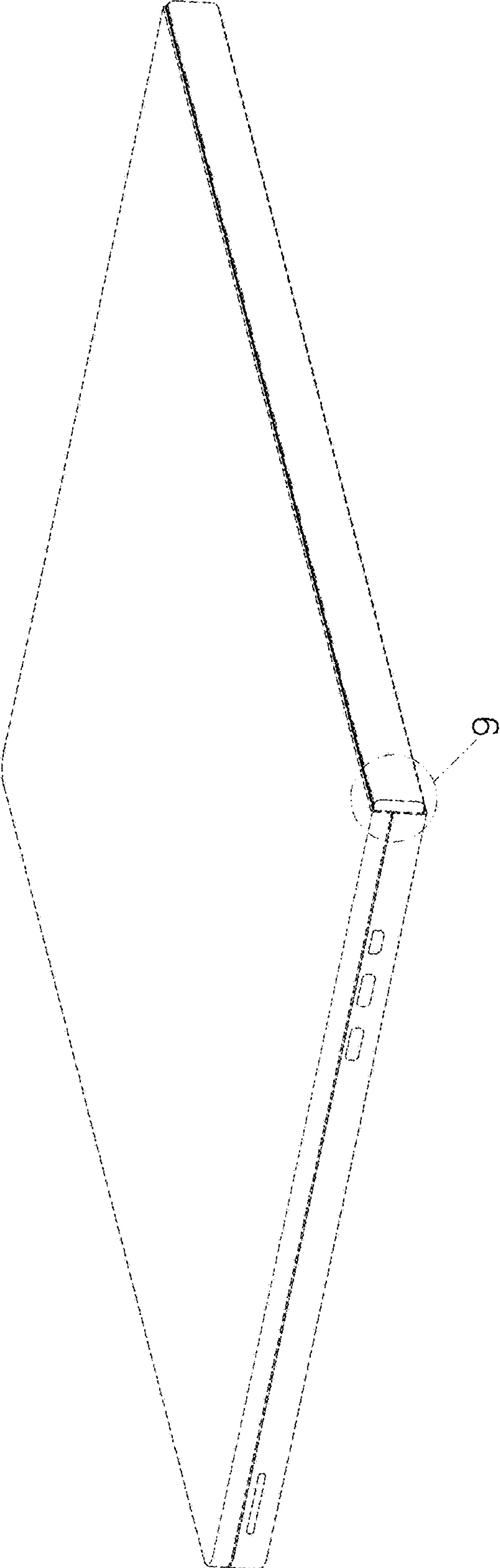


FIG. 1

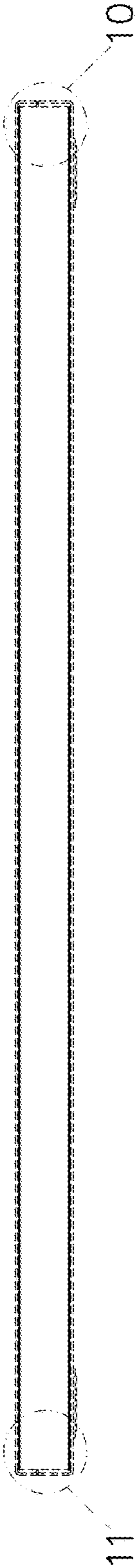


FIG. 2



FIG. 3

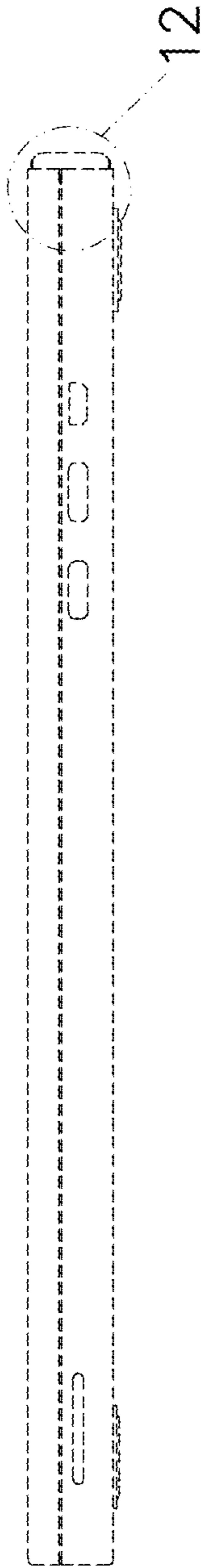


FIG. 4

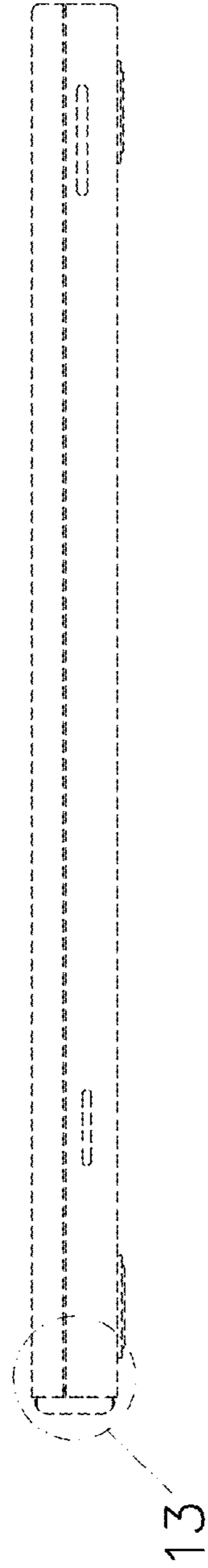


FIG. 5

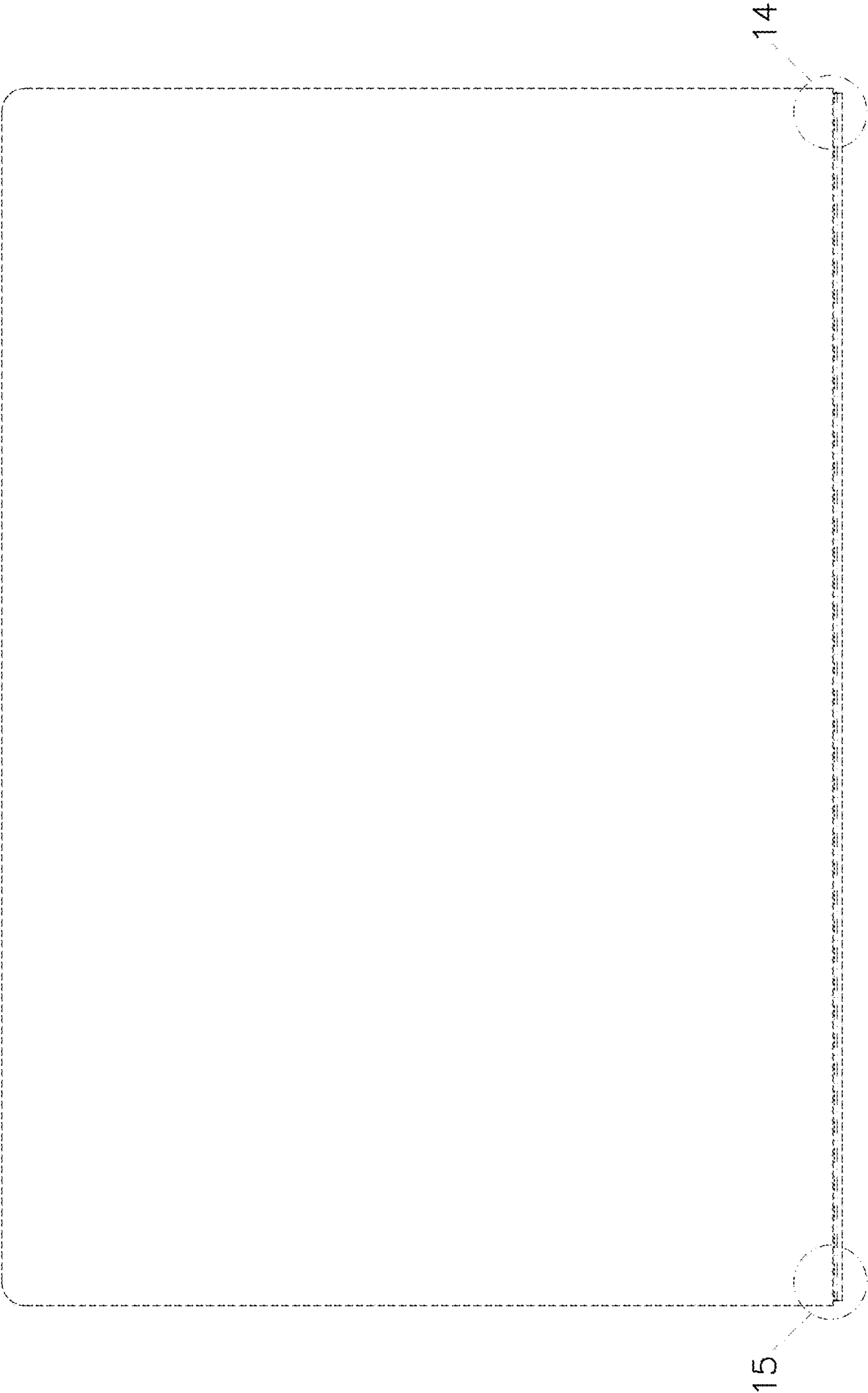


FIG. 6

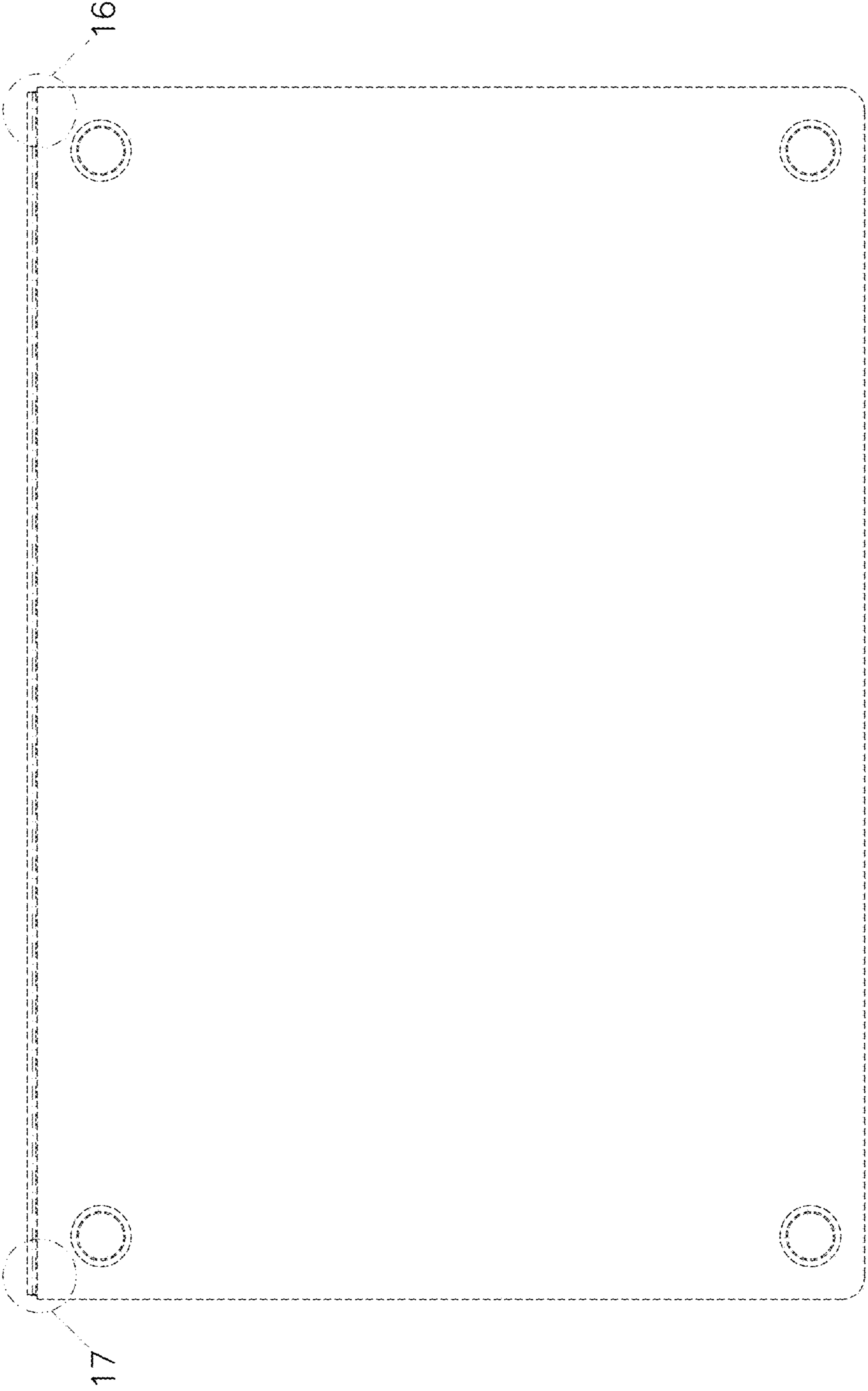


FIG. 7

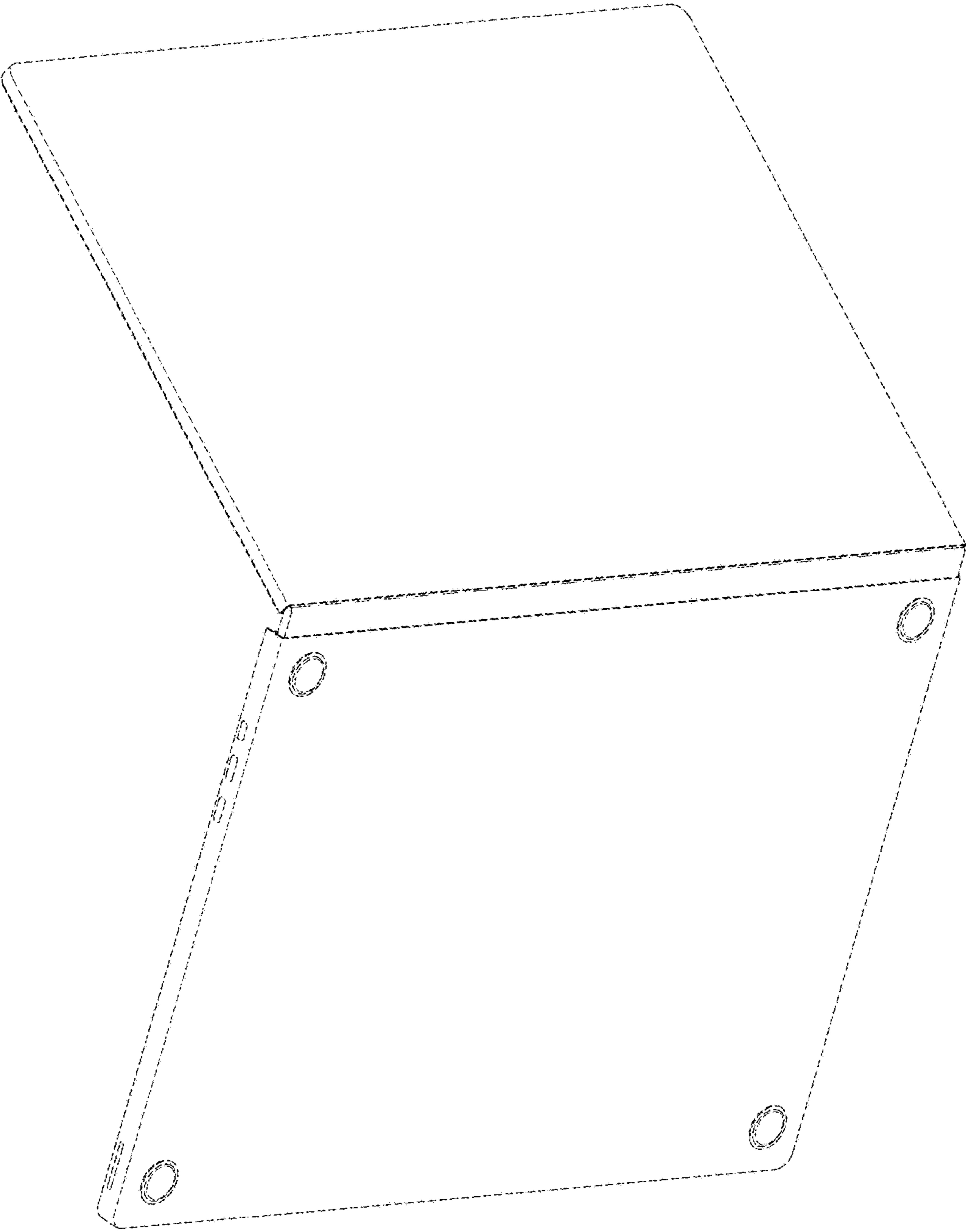


FIG. 8

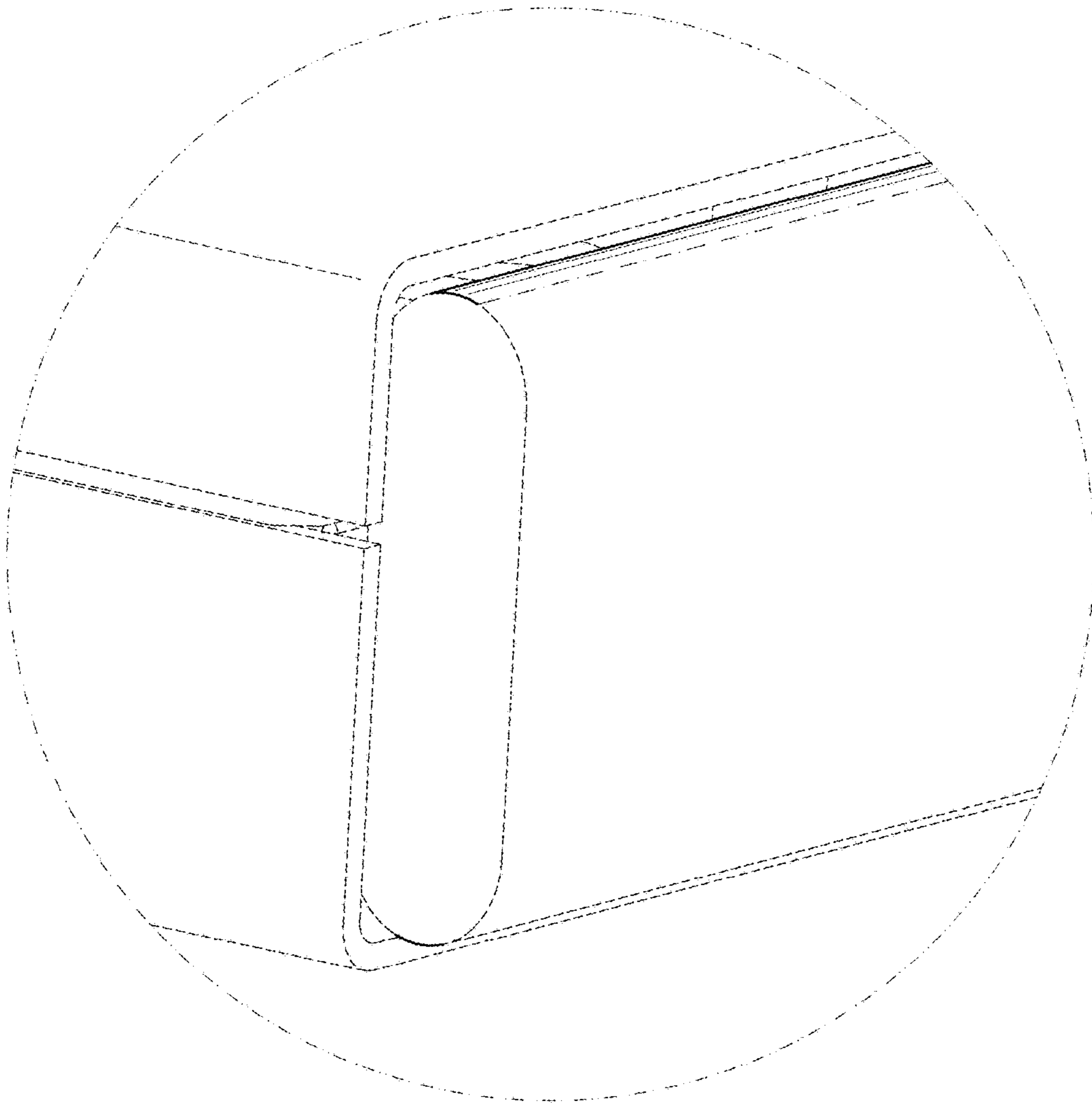


FIG. 9

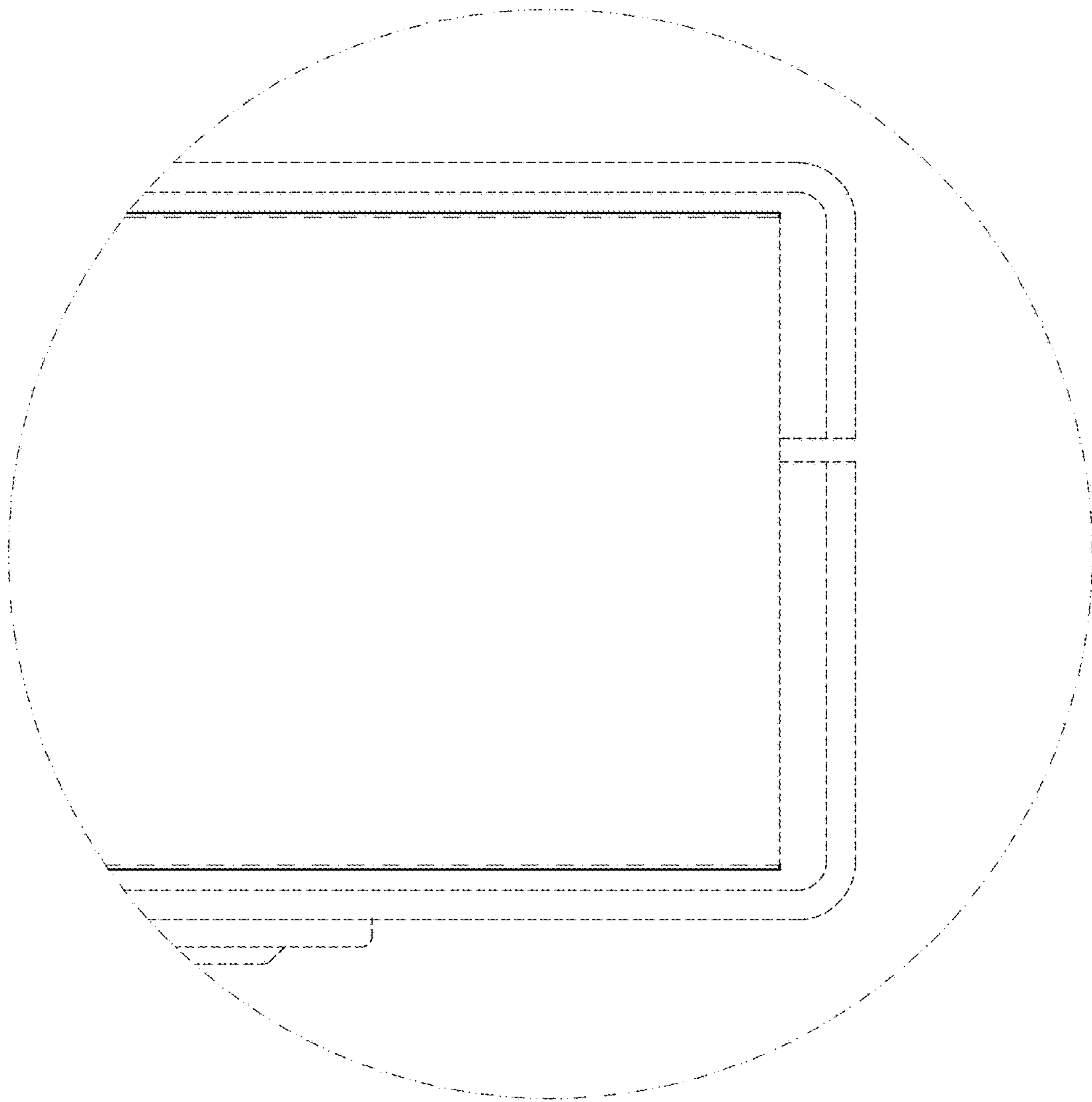


FIG. 10

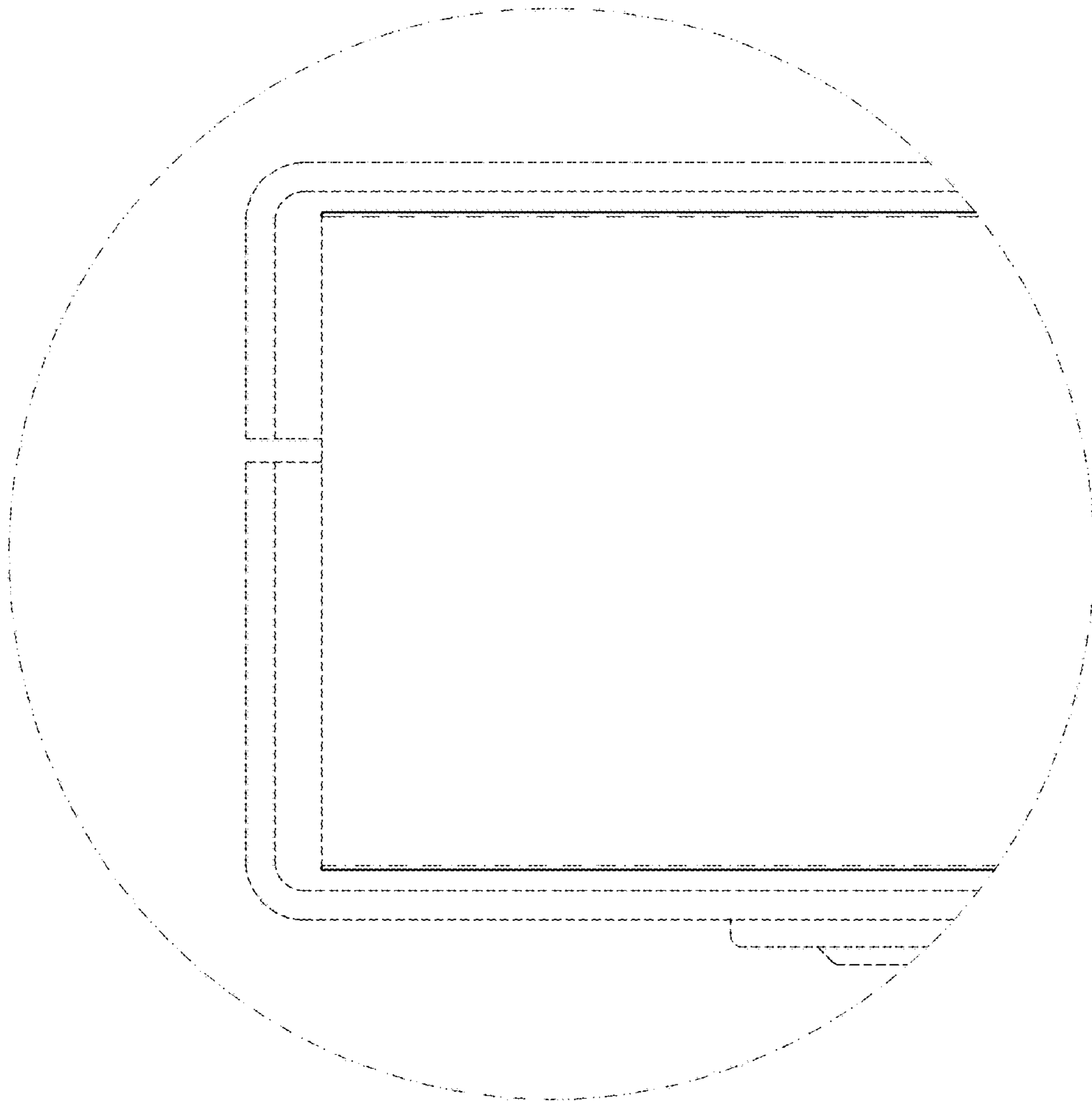


FIG. 11

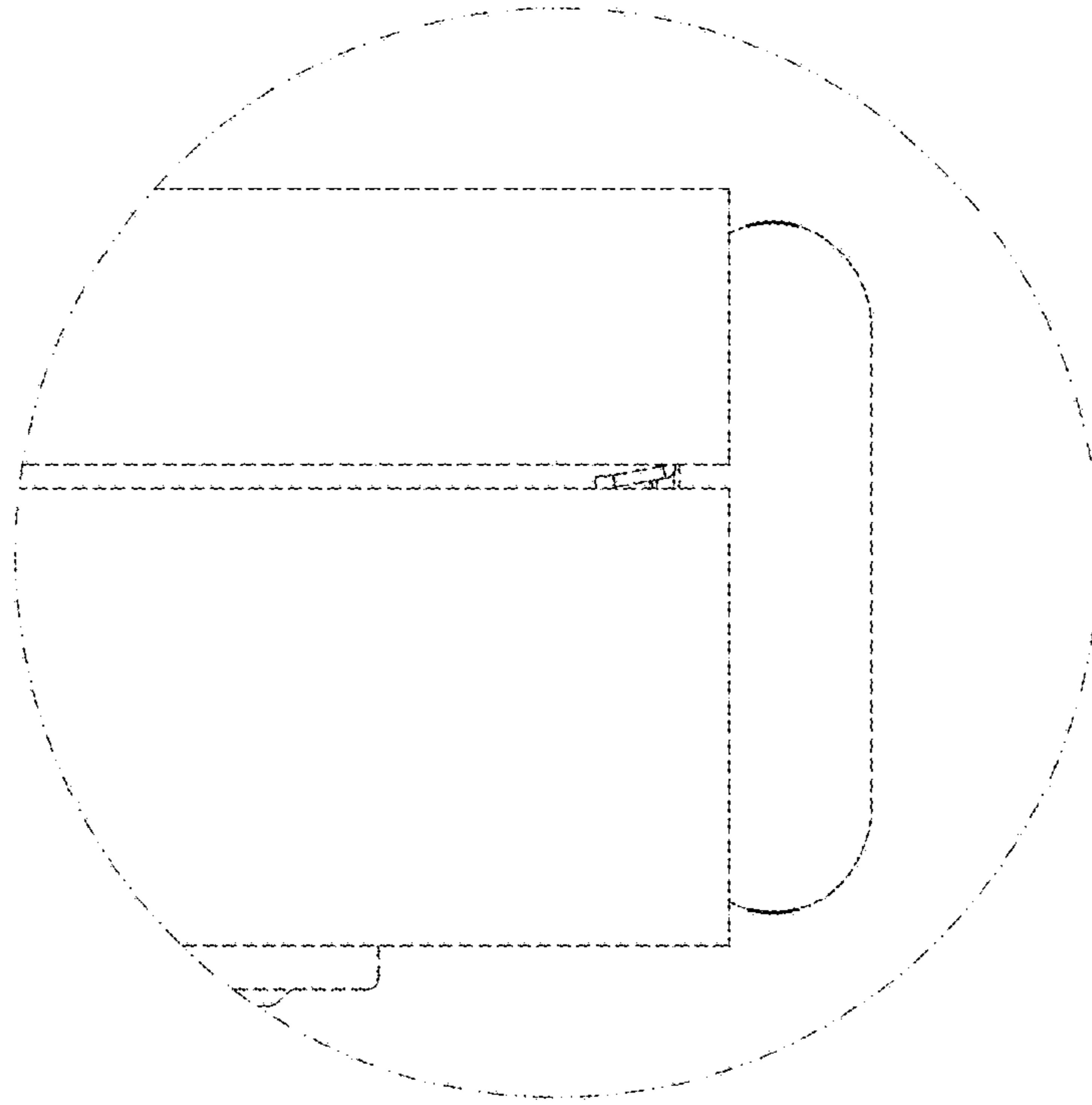


FIG. 12

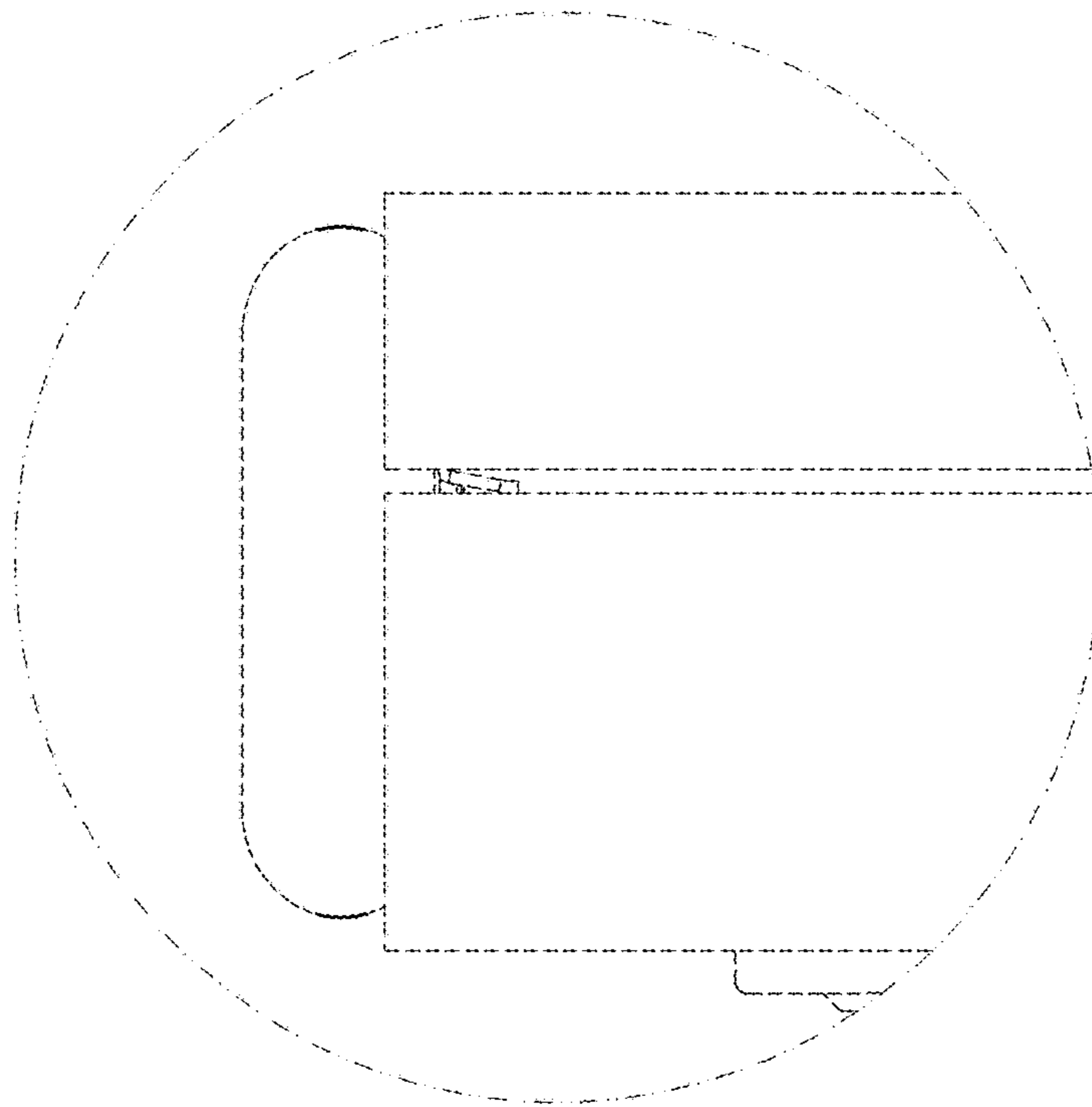


FIG. 13

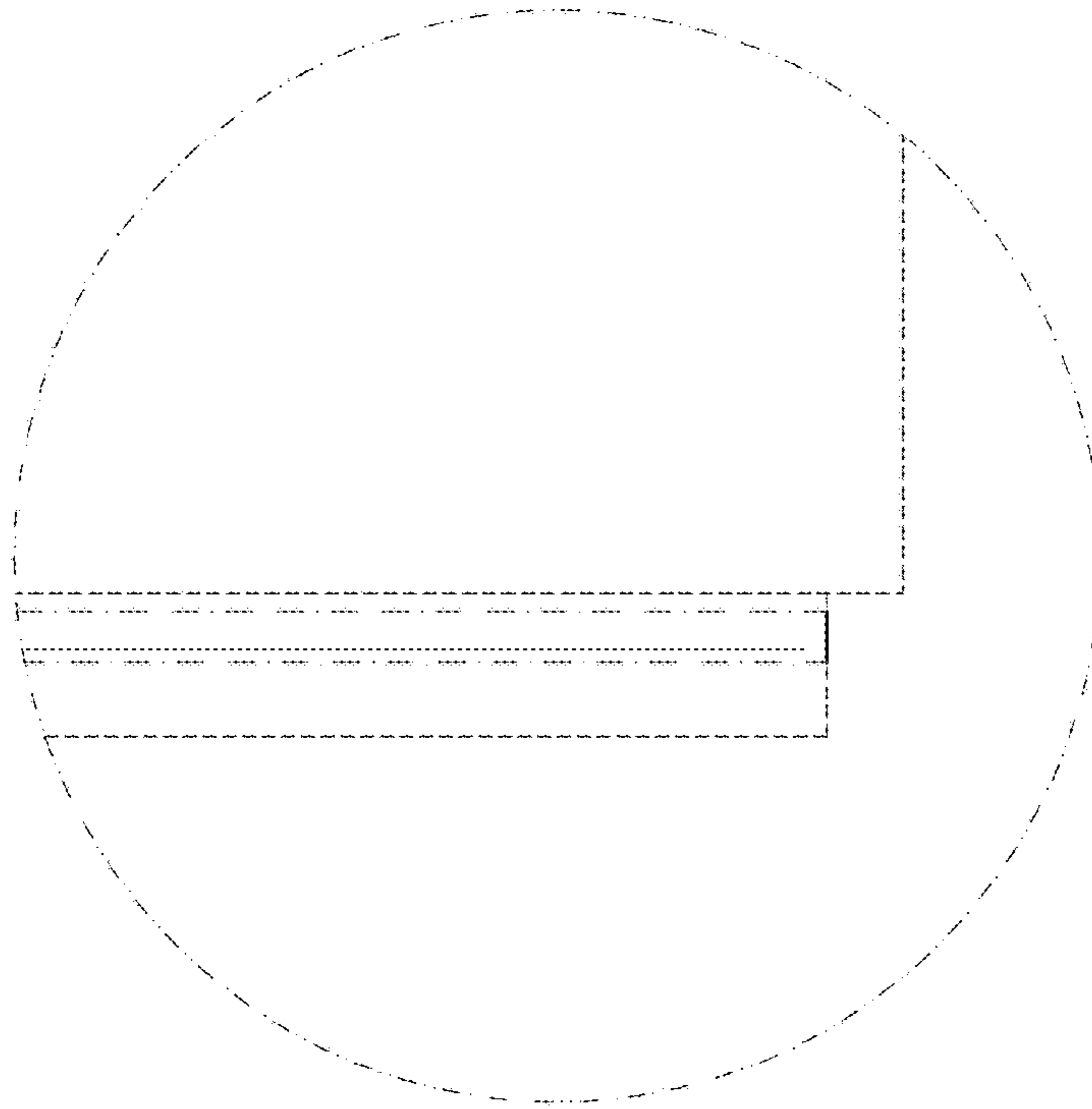


FIG. 14

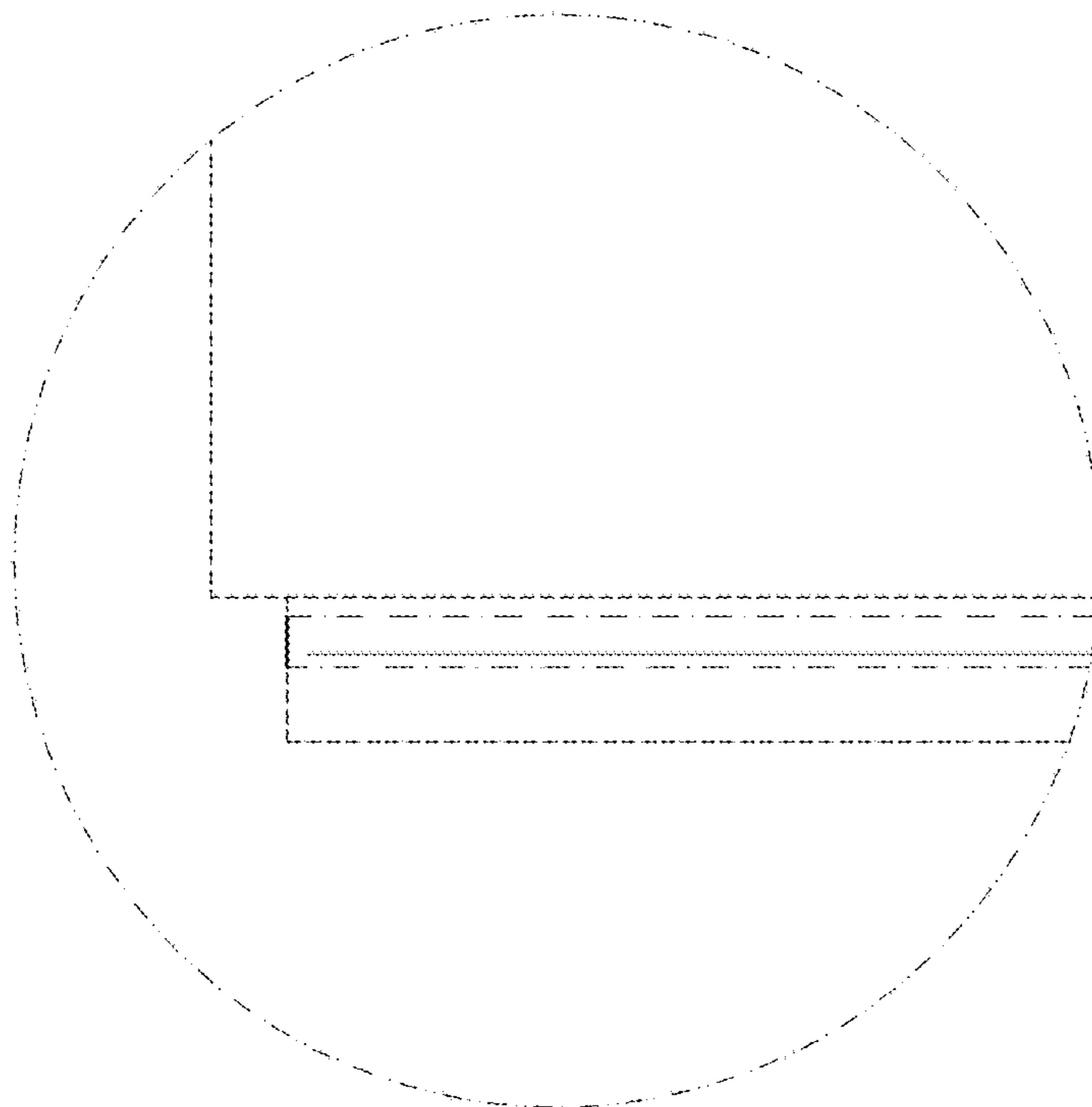


FIG. 15

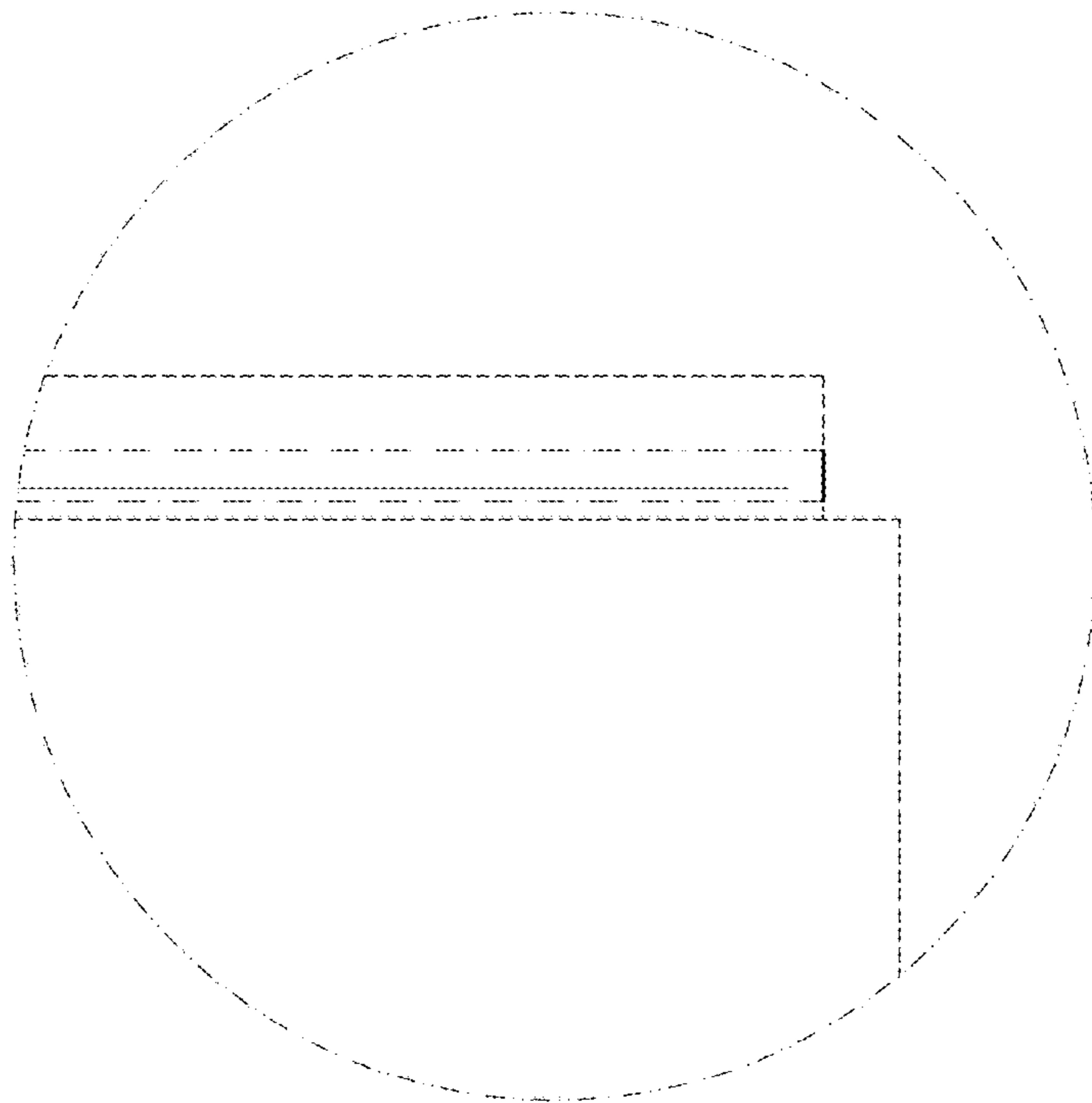


FIG. 16

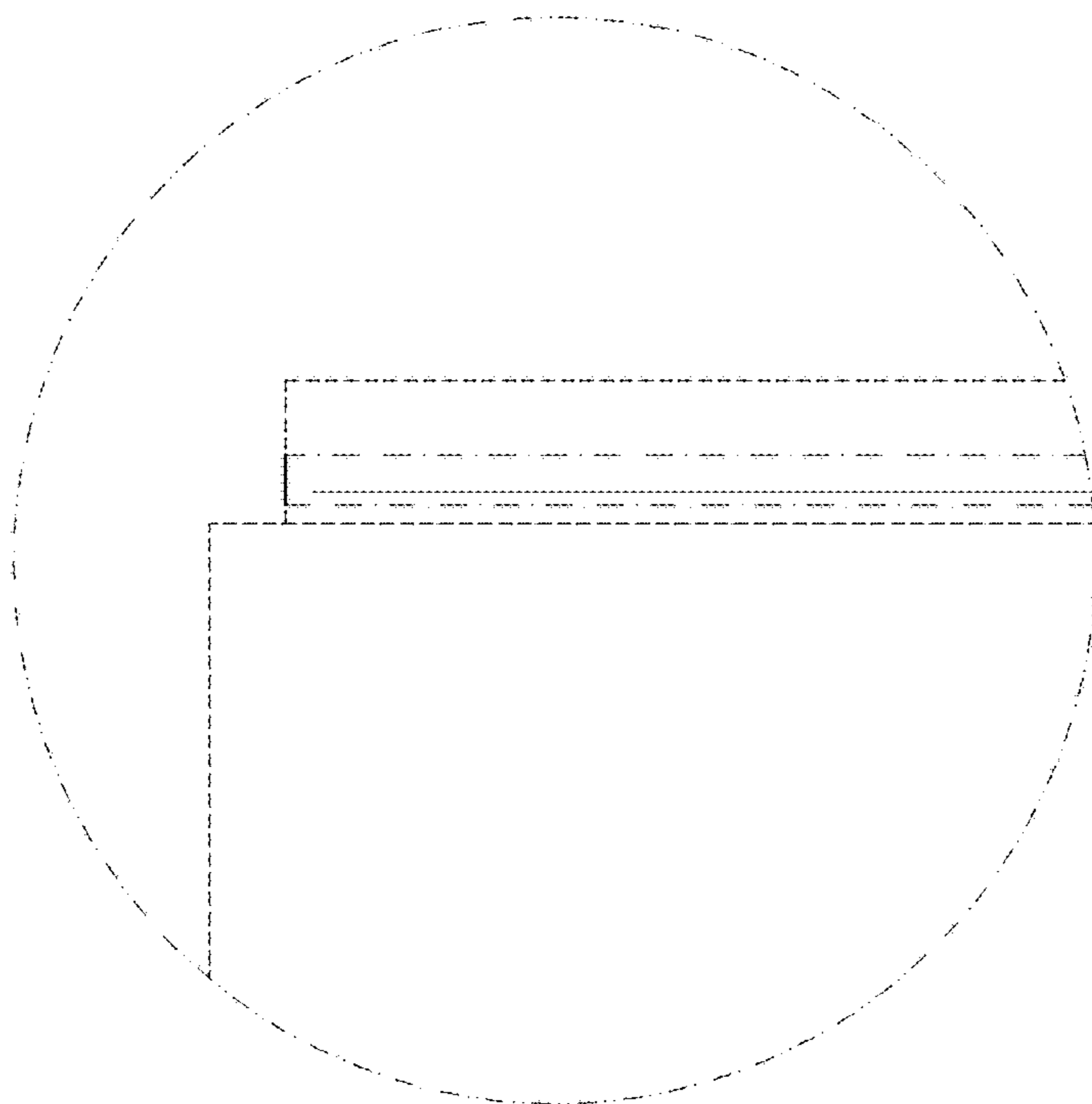


FIG. 17