



US00D816658S

(12) **United States Design Patent**  
**Robinson et al.**

(10) **Patent No.:** **US D816,658 S**

(45) **Date of Patent:** **\*\* May 1, 2018**

(54) **ADVERTISING KIOSK**

(71) Applicant: **The San Diego Unified Port District,**  
San Diego, CA (US)

(72) Inventors: **Scott Robinson,** San Diego, CA (US);  
**Michelle Peck,** Del Mar, CA (US);  
**Chris Toombs,** San Diego, CA (US);  
**Marina Giovannelli,** San Diego, CA  
(US); **Ken Wallis,** Escondido, CA (US);  
**John Bandringa,** Everett, WA (US);  
**Annette Dahl,** San Diego, CA (US);  
**Kyle Amdahl,** San Diego, CA (US)

(73) Assignee: **The San Diego Unified Port District,**  
San Diego, CA (US)

(\*\*) Term: **15 Years**

(21) Appl. No.: **29/592,422**

(22) Filed: **Jan. 30, 2017**

(51) **LOC (11) Cl.** ..... **14-02**

(52) **U.S. Cl.**  
USPC ..... **D14/307**

(58) **Field of Classification Search**  
USPC ..... D14/167, 154, 168, 188, 496, 156, 160,  
D14/161, 162, 163, 164, 165, 158, 253,  
D14/192, 159, 155, 138 AB, 137, 104.1,  
D14/307; 455/351, 350, 353; D10/104,  
D10/106, 65, 78; 340/573.4, 573.1  
CPC ..... G08B 13/1672; G08B 13/19645; G08B  
25/006; H04M 11/04  
See application file for complete search history.

(56) **References Cited**

**U.S. PATENT DOCUMENTS**

D696,658 S \* 12/2013 Winston ..... D14/307  
D697,505 S \* 1/2014 Paton ..... D14/307

D701,209 S \* 3/2014 Lim ..... D14/307  
D734,315 S \* 7/2015 Masuda ..... D14/307  
D742,870 S \* 11/2015 Berini ..... G06F 21/32  
D14/307  
D752,032 S \* 3/2016 Taylor ..... D14/307  
D774,029 S \* 12/2016 Kim ..... D14/307  
D778,276 S \* 2/2017 Berini ..... D14/307  
D781,279 S \* 3/2017 Horn, II ..... D14/307  
D781,843 S \* 3/2017 Horn, II ..... D14/307  
D788,098 S \* 5/2017 Thornton ..... D14/307  
D799,470 S \* 10/2017 Brown ..... D14/307  
D800,715 S \* 10/2017 Kane ..... D14/307

\* cited by examiner

*Primary Examiner* — Austin Murphy

(74) *Attorney, Agent, or Firm* — Jaquez Land Greenhaus  
LLP; Bruce W. Greenhaus, Esq.

(57) **CLAIM**

The ornamental design for an advertising kiosk, as shown  
and described.

**DESCRIPTION**

FIG. 1 is a top, plan view of the advertising kiosk showing  
my new design and in which the bottom rests on a surface  
and is not visible in use.

FIG. 2 is a front, elevation view of the advertising kiosk of  
FIG. 1.

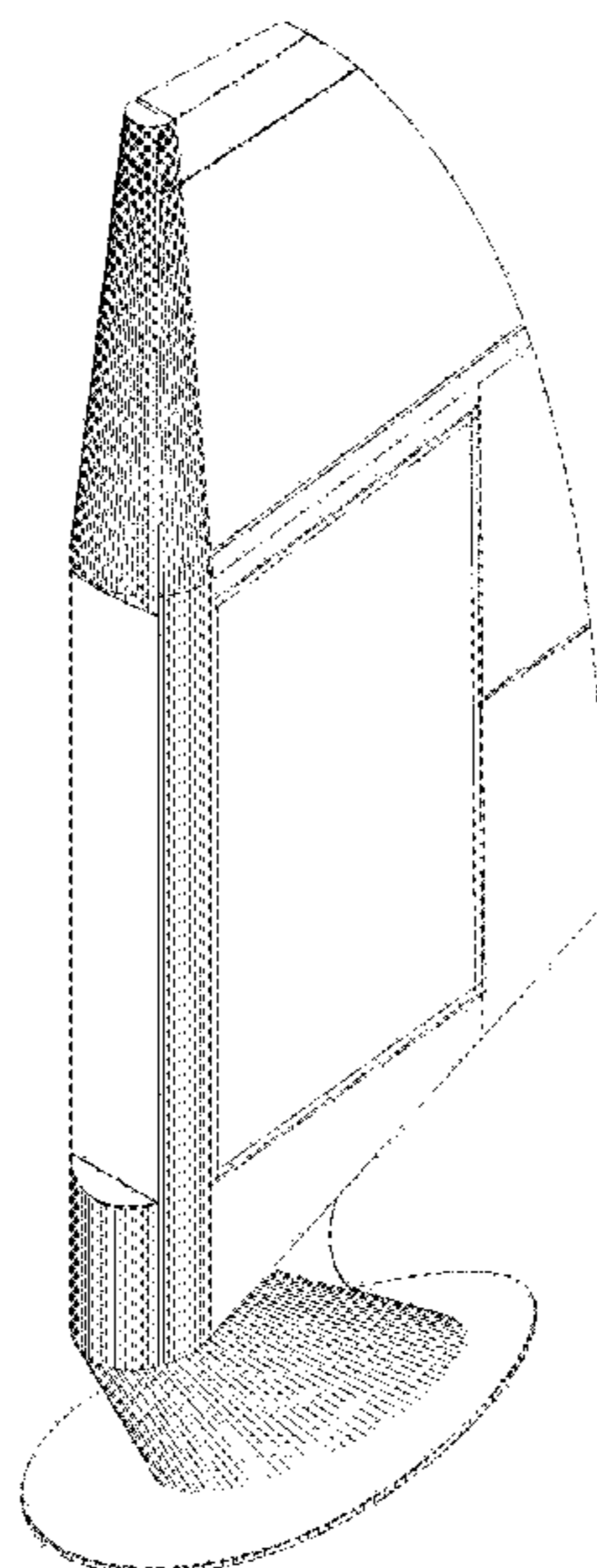
FIG. 3 is a right side, elevation view of the advertising kiosk  
of FIG. 1.

FIG. 4 is a left side, elevation view of the advertising kiosk  
of FIG. 1.

FIG. 5 is a top, front, right, perspective view of the adver-  
tising kiosk of FIG. 1; and,

FIG. 6 is a top, back, left, perspective view of the advertising  
kiosk of FIG. 1.

**1 Claim, 6 Drawing Sheets**



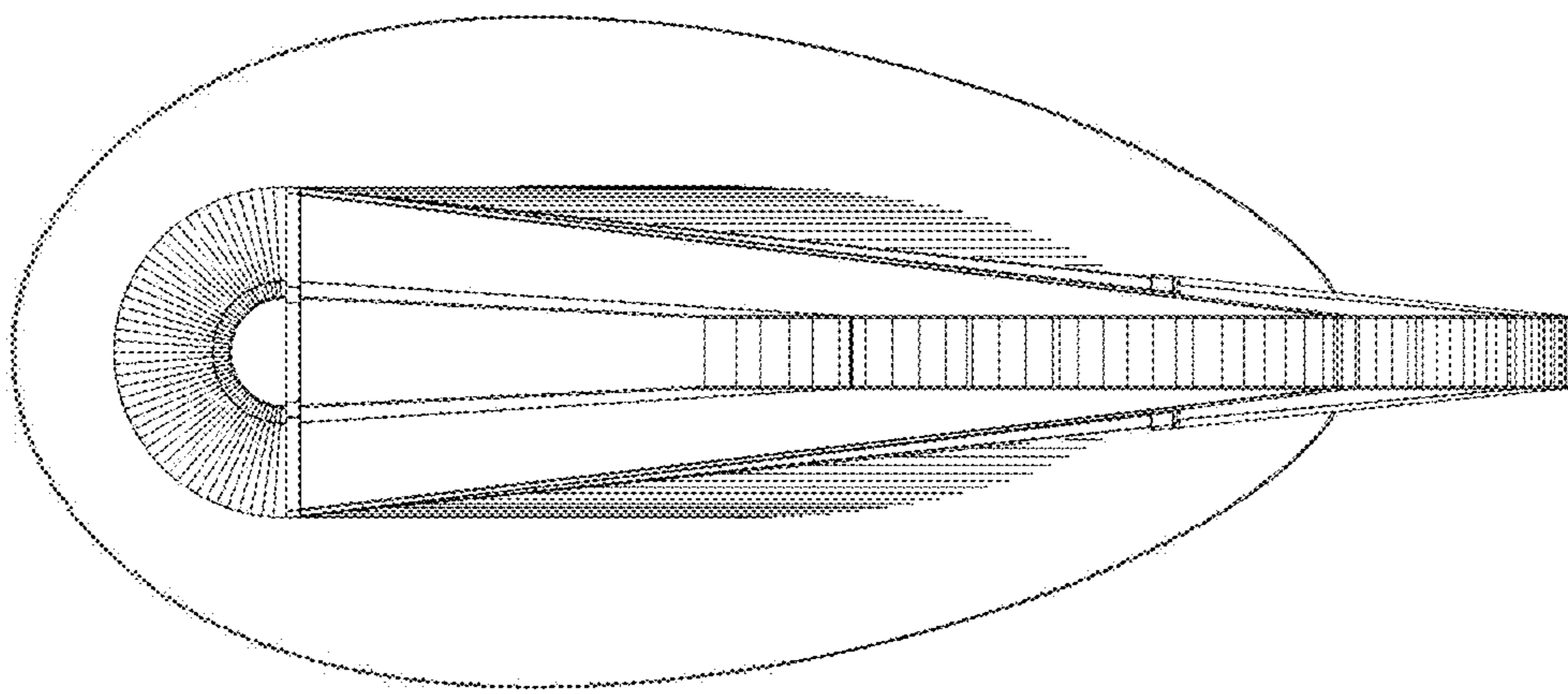


FIG. 1

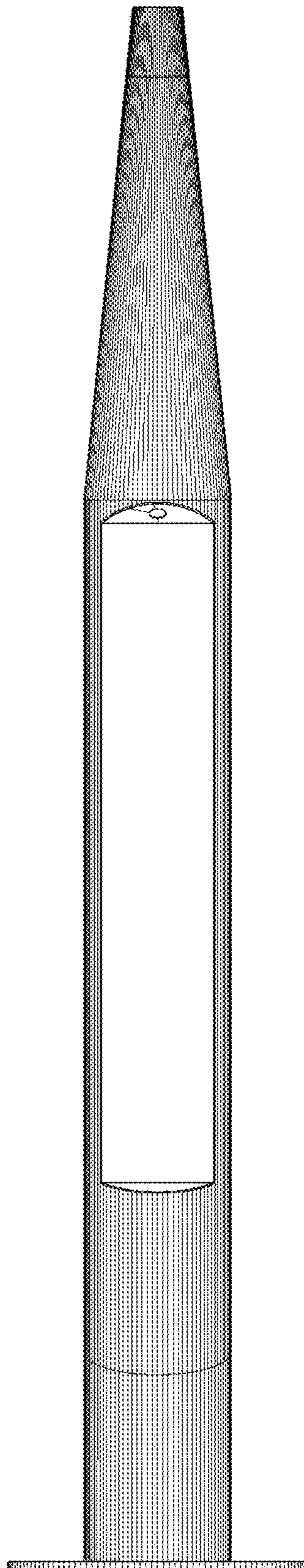


FIG. 2

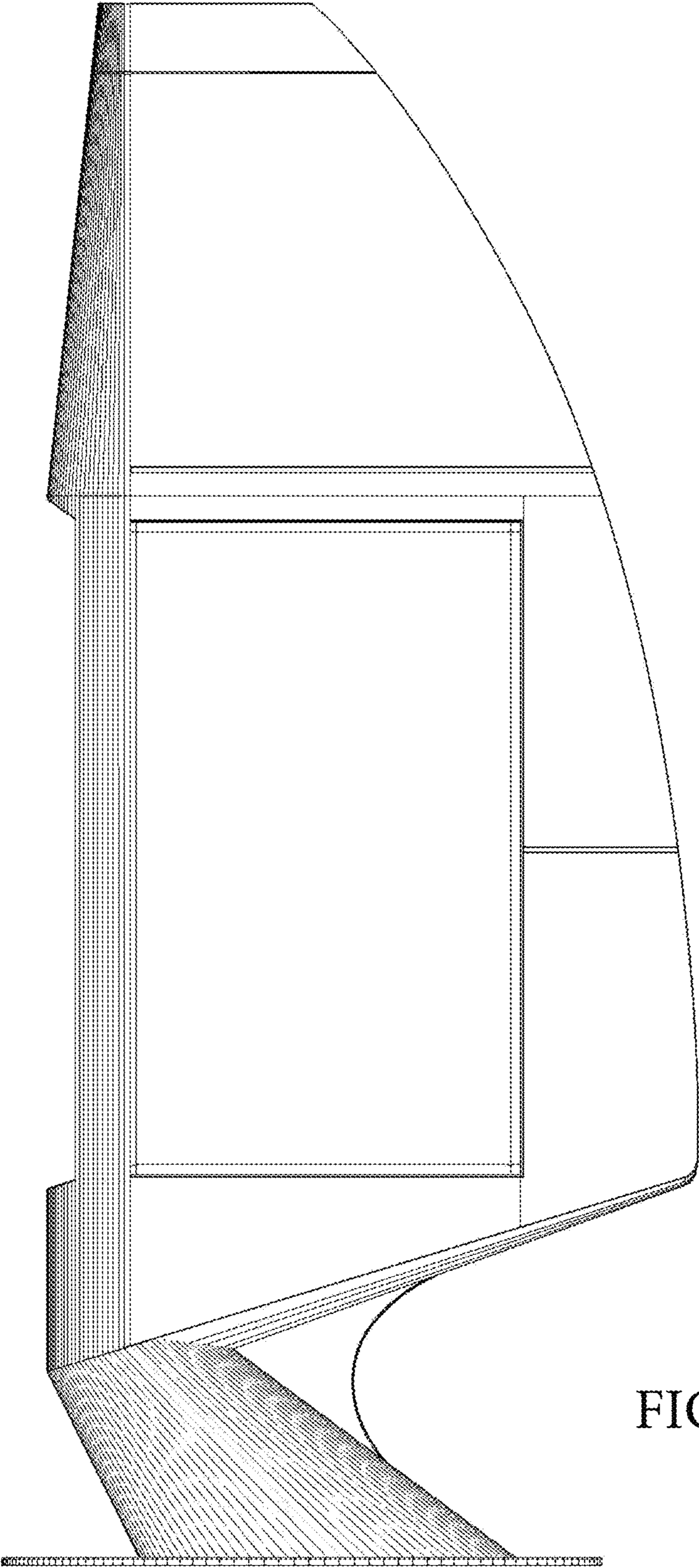


FIG. 3

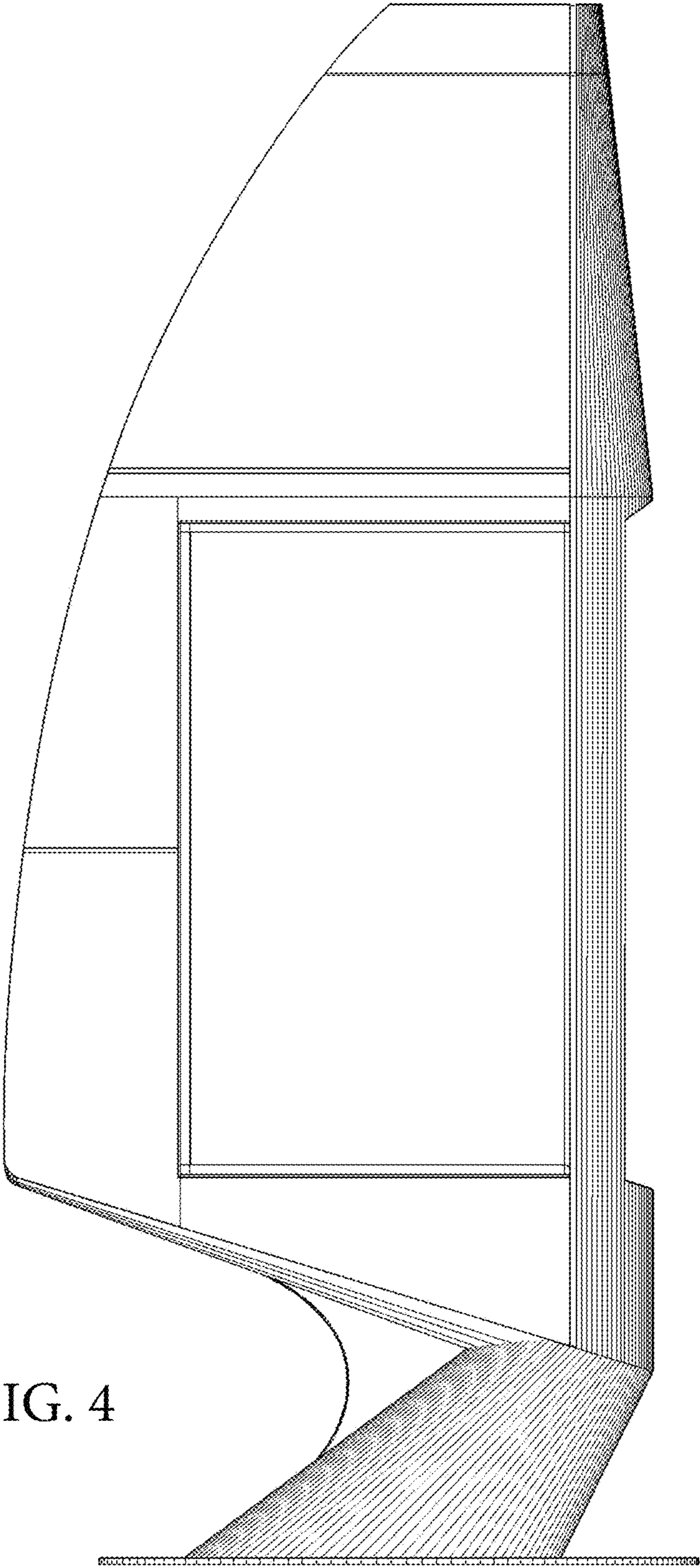


FIG. 4

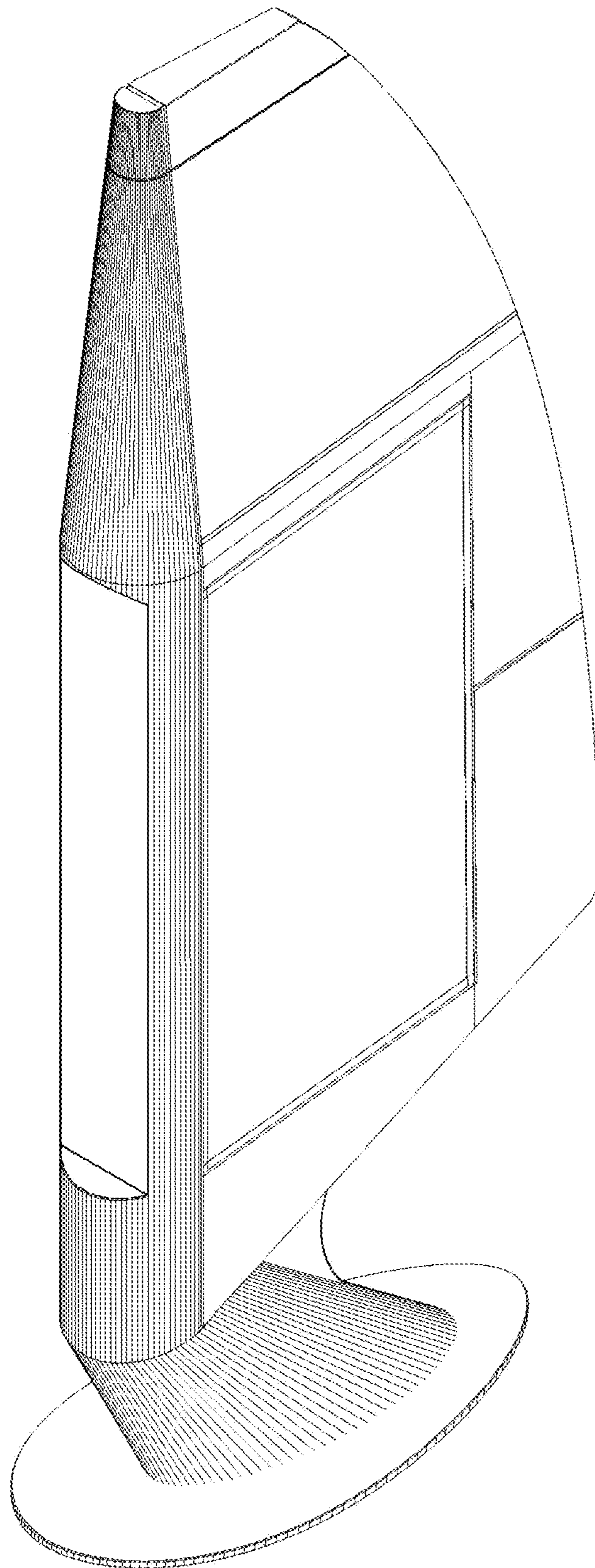


FIG. 5

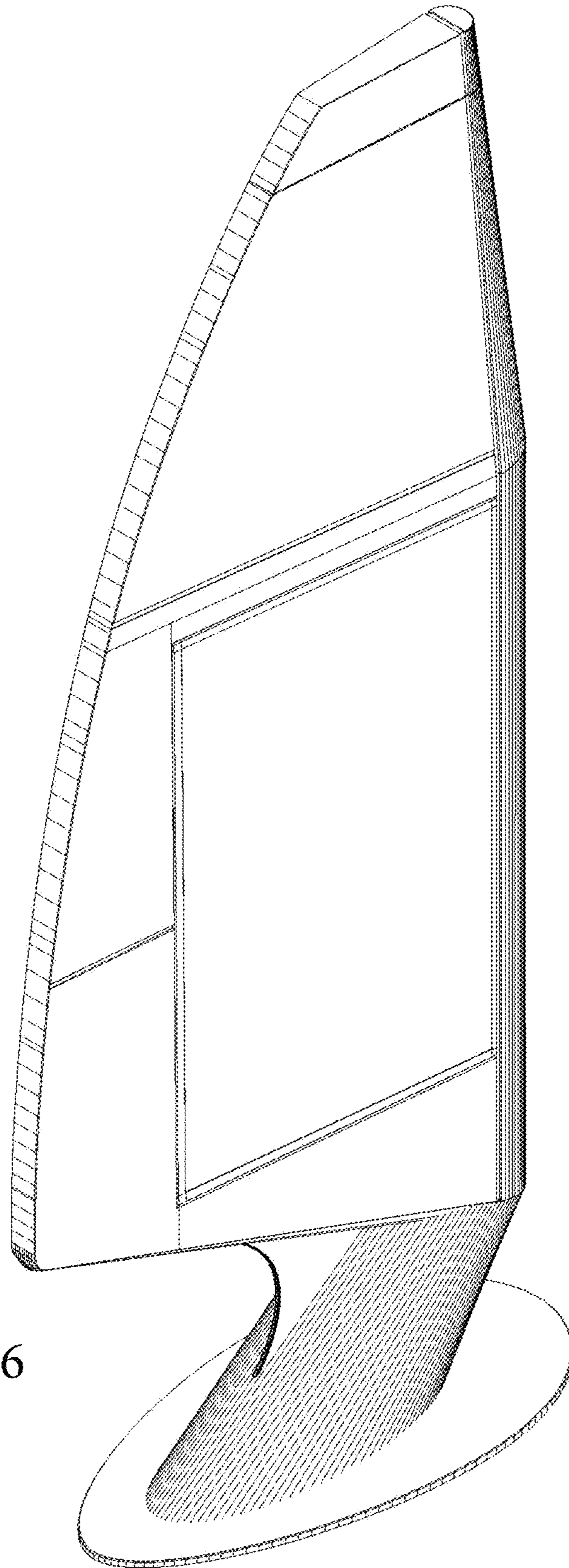


FIG. 6