



US00D816656S

(12) **United States Design Patent** (10) **Patent No.:** **US D816,656 S**
Kim et al. (45) **Date of Patent:** **** May 1, 2018**

(54) **STAND FOR WRIST-WORN ELECTRONIC DEVICE**

Jun. 6, 2017]. Available from Internet, <URL: <https://wholesaler.alibaba.com/w/wholesale-silver-gold-pocket-watch.html/>>.*

(Continued)

(71) Applicant: **Spigen Korea Co. LTD.**, Seoul (KR)

Primary Examiner — Philip S Hyder

(72) Inventors: **Dae-Young Kim**, Seoul (KR); **Bum Joon Lee**, Seoul (KR)

Assistant Examiner — Cary M Robinson

(73) Assignee: **SPIGEN KOREA CO., LTD.**,
Bongeunsa-ro, Gangnam-gu, Seoul (KR)

(74) *Attorney, Agent, or Firm* — Heedong Chae; Lucem, PC

(**) Term: **15 Years**

(57) **CLAIM**

(21) Appl. No.: **29/569,538**

The ornamental design for a stand for wrist-worn electronic device, as shown and described.

(22) Filed: **Jun. 28, 2016**

DESCRIPTION

Related U.S. Application Data

(63) Continuation of application No. 29/523,592, filed on Apr. 10, 2015, now Pat. No. Des. 788,094, which is (Continued)

(51) **LOC (11) Cl.** **14-03**

(52) **U.S. Cl.**
USPC **D14/253**; D14/250; D14/251

(58) **Field of Classification Search**
USPC D3/218; D6/406.3, 406.4, 406.5, 406.6; D14/250–251, 253, 432, 434, 439–440, (Continued)

(56) **References Cited**

U.S. PATENT DOCUMENTS

D234,851 S 4/1975 Tyson
3,964,709 A 6/1976 LaBelle
(Continued)

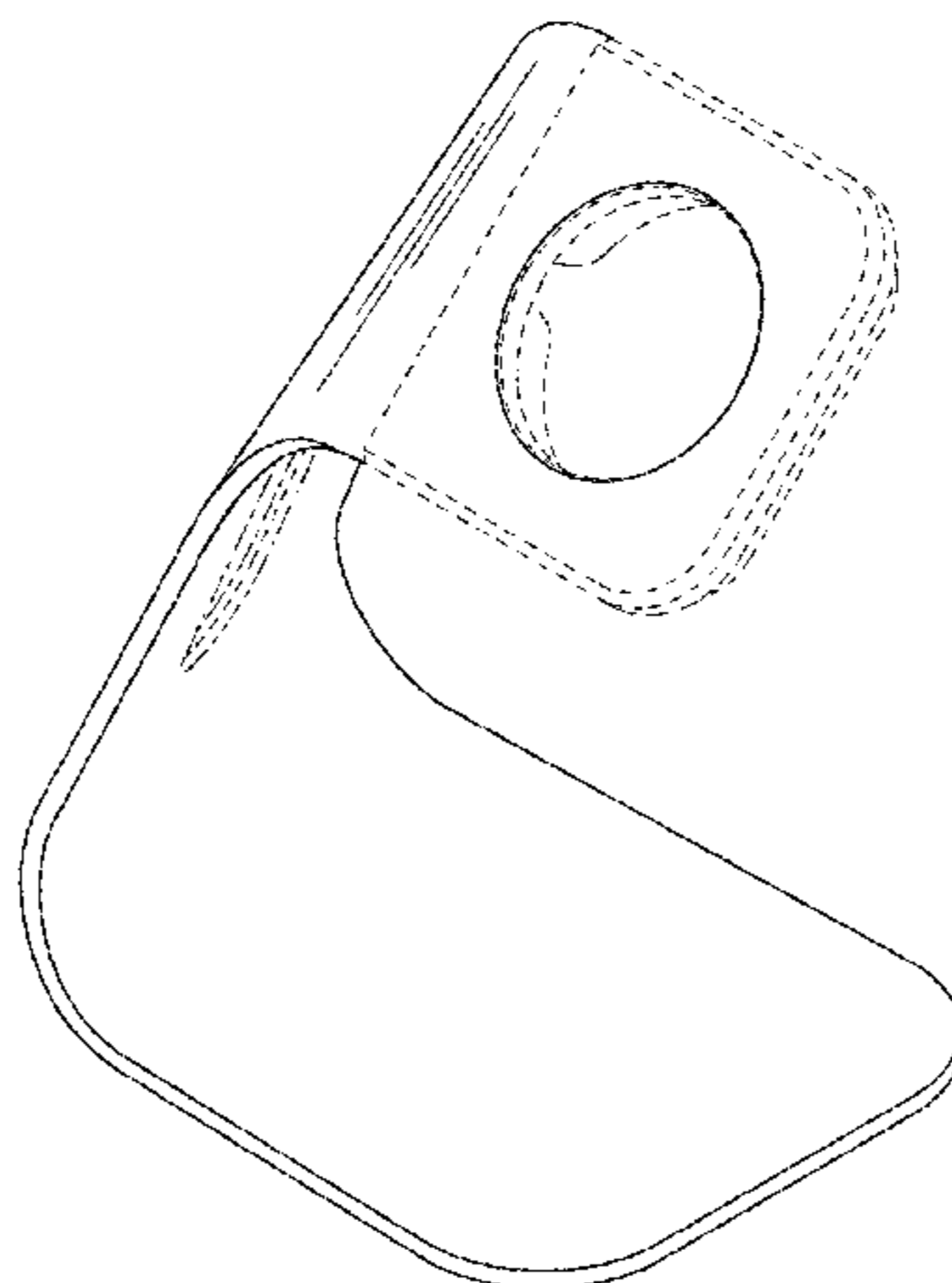
OTHER PUBLICATIONS

Alibaba | Wholesale | Timepieces, Jewelry, Eyewear | Watches | Pocket Watches | wholesale silver gold pocket watch, last updated on Apr. 29, 2016, © 1999-2016 Alibaba.com [online], [site visited

FIG. 1 is a front perspective view of a stand, having a supporting member and an electronic device holder, for wrist-worn electronic device showing my new design; FIG. 2 is a rear perspective view thereof; FIG. 3 is a front elevational view thereof; FIG. 4 a rear elevational view thereof; FIG. 5 is a left side elevational view thereof; and FIG. 6 is a right side elevational view thereof; FIG. 7 is a top plan view thereof; FIG. 8 is a bottom plan view thereof; FIG. 9 is a front perspective view of the supporting member; FIG. 10 is a rear perspective view of the supporting member; FIG. 11 is a front perspective view of the electronic device holder; FIG. 12 is a rear perspective view of the electronic device holder; FIG. 13 is a front perspective view of the stand for wrist-worn electronic device in which the supporting member and the electronic device holder are shown separated for clarity of disclosure; and, FIG. 14 is a rear perspective view of the stand for wrist worn electronic device in which the supporting member and the electronic device holder are shown separated for clarity of disclosure.

The broken lines illustrate portions of the stand for wrist-worn electronic device in which the design is embodied that

(Continued)



form no part of the claimed design. The dash-dot lines define boundaries of the claim that form no part of the claim.

1 Claim, 14 Drawing Sheets

Related U.S. Application Data

a continuation of application No. 29/523,594, filed on Apr. 10, 2015, now Pat. No. Des. 788,762.

(58) Field of Classification Search

USPC D14/447, 451-452, 457; D26/93; D30/162
 CPC A45C 2011/003; A45C 2011/002; A45C 13/002; A47B 2021/0307; A47B 2023/005; A47B 2023/049; A47B 2097/005; A47B 2097/006; A47B 21/04; A47B 23/00; A47B 23/043; F16M 2200/00; H04B 1/3888; H04M 1/04; H04M 1/185

See application file for complete search history.

(56) References Cited

U.S. PATENT DOCUMENTS

D252,088 S *	6/1979	Johansson	D14/253
D280,263 S	8/1985	Hoye	
D308,730 S	6/1990	Nakagawa	
D310,520 S	9/1990	Bedard	
D330,902 S *	11/1992	Siden	D15/126
D494,216 S *	8/2004	Yan	D18/56
D513,168 S *	12/2005	Chu	D8/356
D536,124 S	1/2007	Liao	
D556,363 S	11/2007	Komar	
D580,578 S	11/2008	Chien	
D625,539 S *	10/2010	Kolada	D6/552
D636,928 S	4/2011	Lin	
D642,736 S	8/2011	Reidy	
D645,865 S	9/2011	Diehl	
D673,321 S	12/2012	Karkkainen	
D681,438 S *	5/2013	Chen	D8/394
D681,439 S *	5/2013	Chen	D8/394
D692,010 S	10/2013	Vergheze	
D692,899 S	11/2013	Bremenkamp	
D703,520 S *	4/2014	Schopf	D8/394
D717,289 S	11/2014	Takabatake	
D737,830 S	9/2015	Katopis	
9,151,439 B2 *	10/2015	Liang	F16M 11/046
D743,955 S	11/2015	Wu	
9,207,714 B2 *	12/2015	Boomhour	G06F 1/1632

D751,564 S	3/2016	Hahn	
D753,642 S	4/2016	Iimuro	
D762,650 S	8/2016	Dang	
D769,881 S *	10/2016	Lazzi	D14/452
D770,437 S	11/2016	Schwarz	
D770,438 S	11/2016	Schwarz	
D772,216 S	11/2016	Lau	
9,510,680 B2	12/2016	King	
D776,667 S *	1/2017	Fujioka	D14/447
9,565,909 B2	2/2017	Song	
2008/0234856 A1	9/2008	Saez	

OTHER PUBLICATIONS

Amazon | Art to Real Pack of 10 Patio Wicker Furniture Sectional Sofa Alignment Fasteners Clips Clamps Connectors—Middle and Large Size Options (M), first reviewed on Nov. 22, 2016, © 1996-2017, Amazon.com, Inc. [online], [site visited Jun. 6, 2017]. Available from Internet, <URL: <https://goo.gl/7oDFu4/>>.*

Amazon | Elkay LK363 Metal 14 Extra Long Screws and Clips, first reviewed on Mar. 18, 2010, © 1996-2017, Amazon.com, Inc. [online], [site visited Jun. 6, 2017]. Available from Internet, <URL: https://www.amazon.com/dp/B000HBCE2E/ref=psdc_6810586011_t2_B00YO4TNME/>.*

Dhgate | For Apple Smart Watch Wooden Stand Holder Mount Charger Docking Station for Apple iWatch Sport 38MM 42MM Accessories, first reviewed on Sep. 9, 2012, © 1996-2017, Amazon.com, Inc. [online], [site visited Jun. 6, 2017]. Available from Internet, <URL: <http://www.dhgate.com/product/100pcs-lots-for-galaxy-note-10-1-n8000-anti/143177198.html/>>.*

Alibaba | Products | Consumer Electronics | Mobile Phone & Accessories | Mobile Phone Holders (370228), posted on Jun. 15, 2016, © 1999-2016 Alibaba [online], Available from Internet, <URL: https://www.alibaba.com/product-detail/new-arrival-nano-micro-suction-mobile_60253706490.html>.

China Prices, posted on Nov. 23, 2015, [no copyright date posted] [online], Available from Internet, <URL: <http://chinaprices.net/?search=samsung+smart+watch>>.

eBay | Wooden Charging Dock Stand Holder Desktop for Smartwatch/Smartphone/Table Light, last updated on Mar. 22, 2016, © 1995-2016 eBay, Inc. [online], [site visited Sep. 14, 2016]. Available from Internet, <URL: <http://www.ebay.co.uk/itm/Wooden-Charging-Dock-Stand-Holder-Desktop-for-Smartwatch-Smartphone-Tablet-Light-/291612064661>>.

Szbro | Product | Cell Phone Accessories | SZBRO Smart Watch Charging Stand Dock Platform Holder Compatible for Apple Watch [38mm][42mm] Both Models (Green), posted on Apr. 24, 2015, © 2016 www.szbro.com [online], [site visited Sep. 14, 2016]. Available from Internet, <URL: <http://www.szbro.com/product/B00YMDKVP0.html>>.

* cited by examiner

FIG. 1

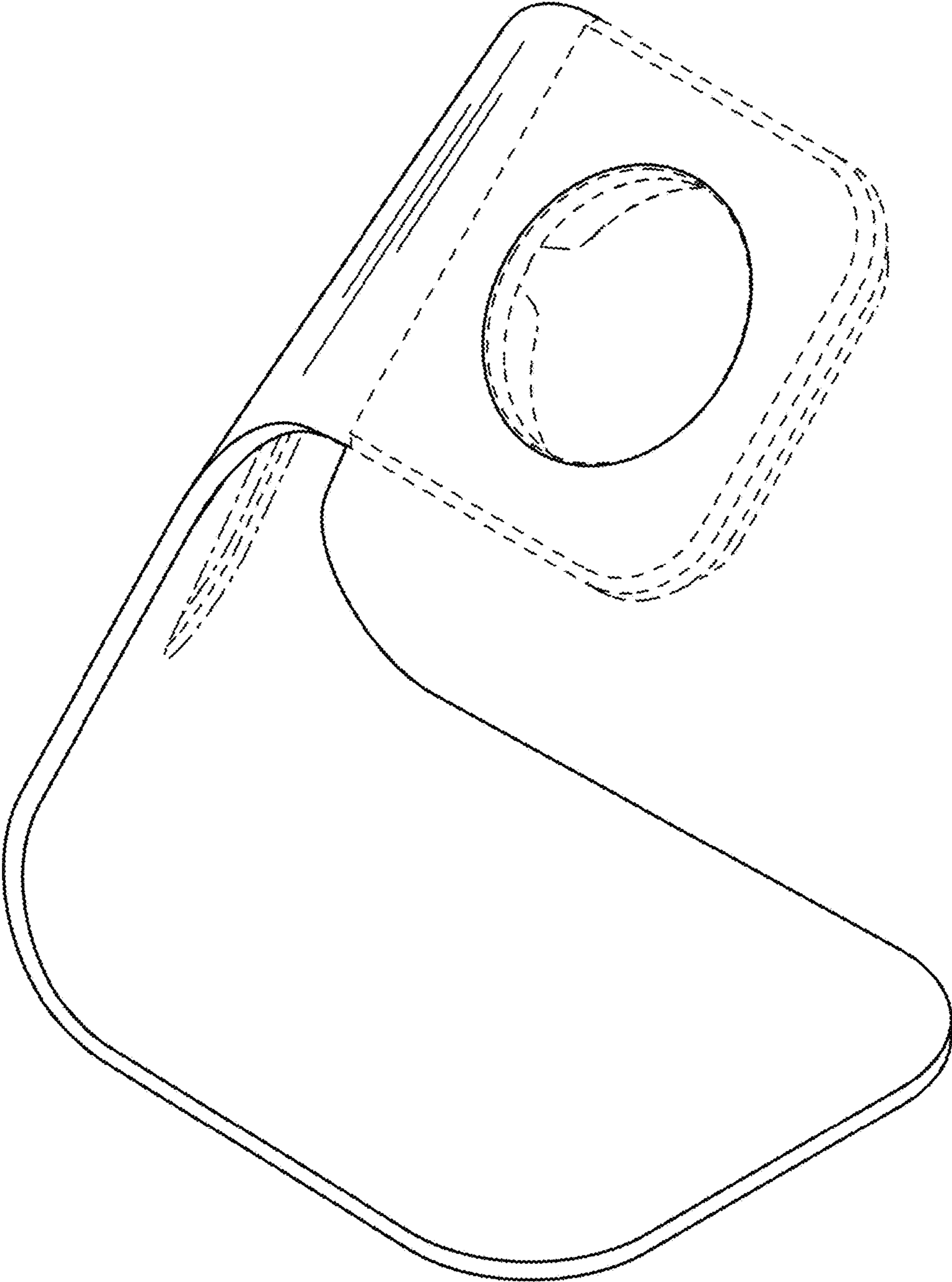


FIG. 2

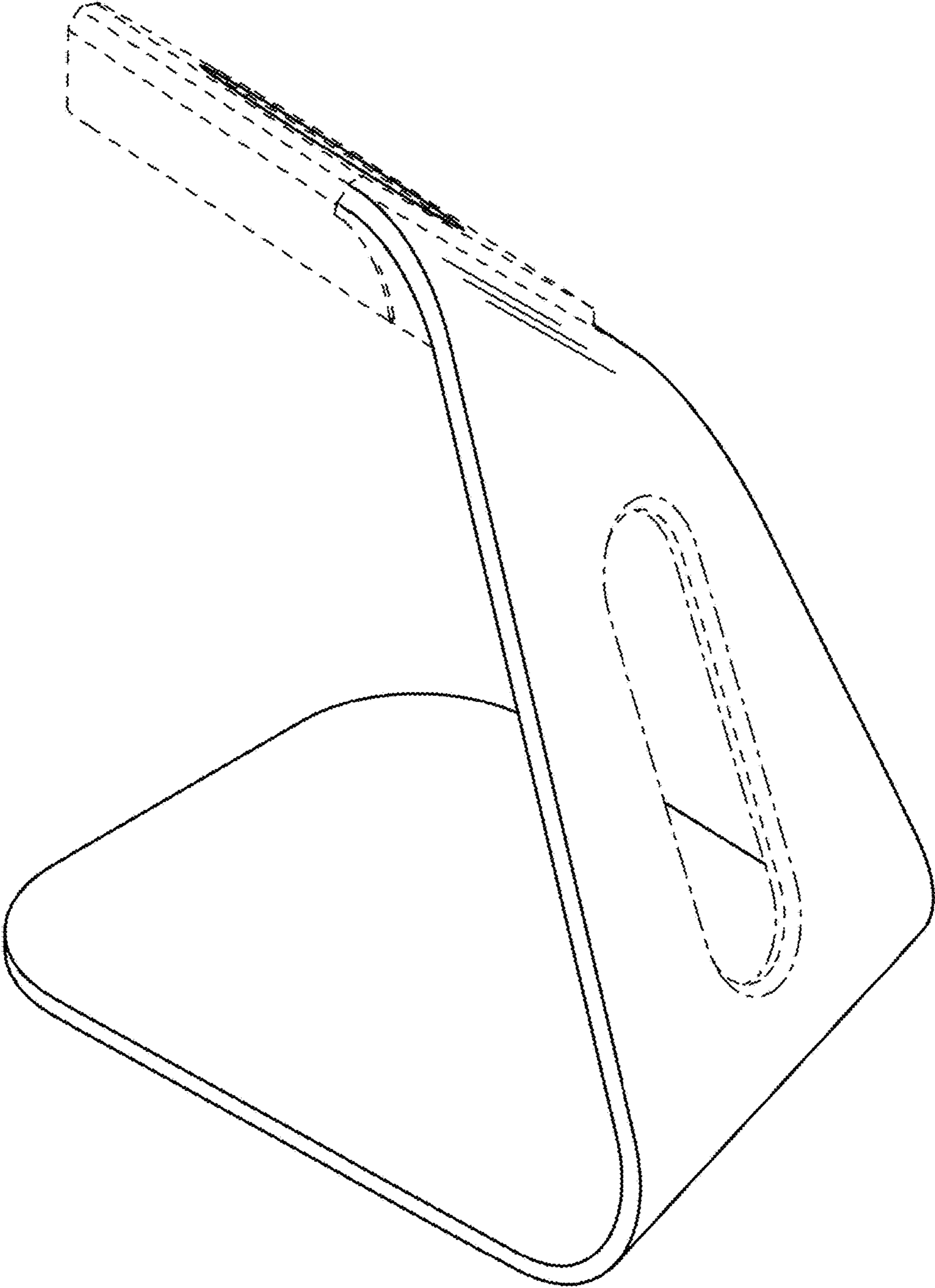


FIG. 3

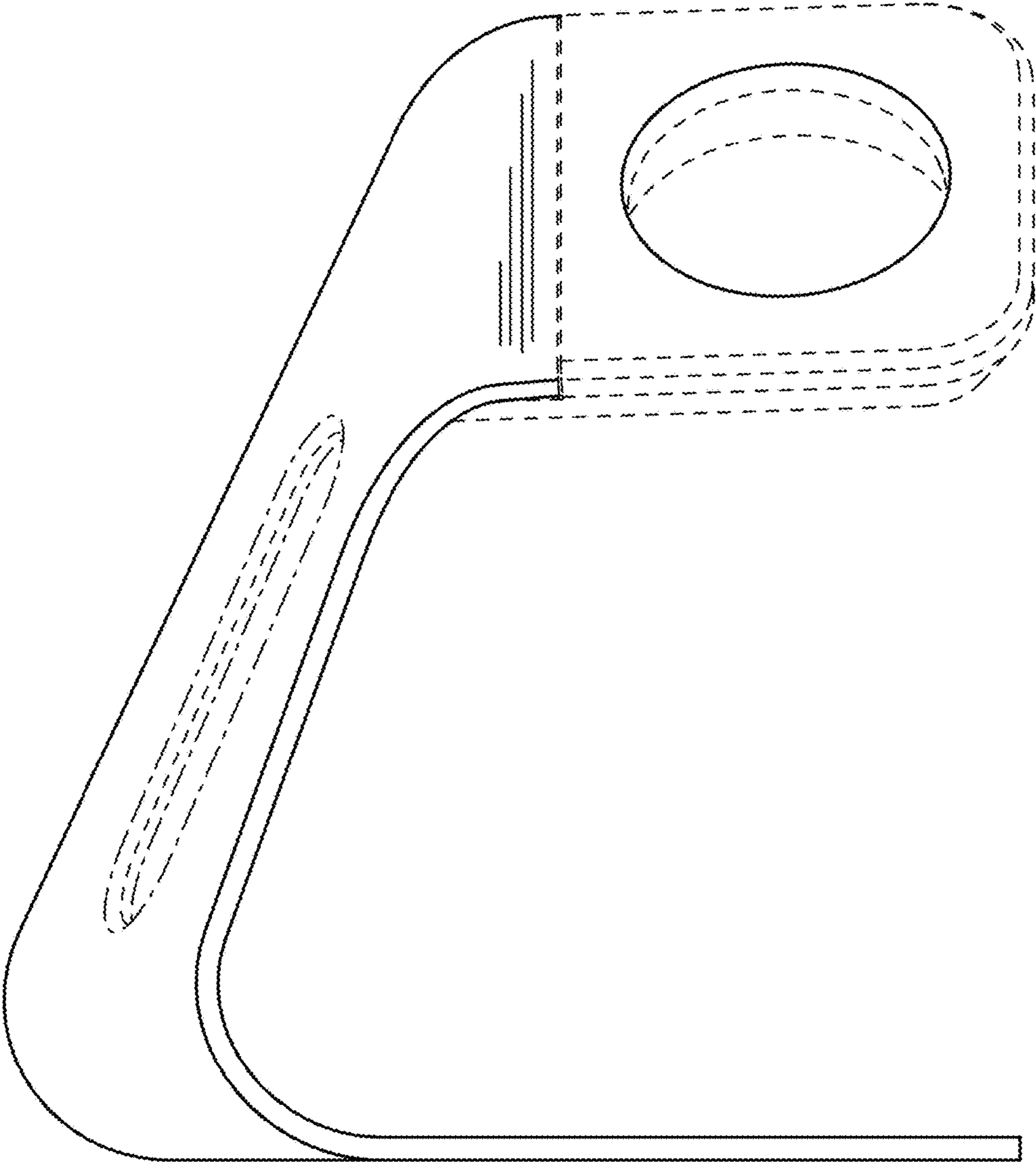


FIG. 4

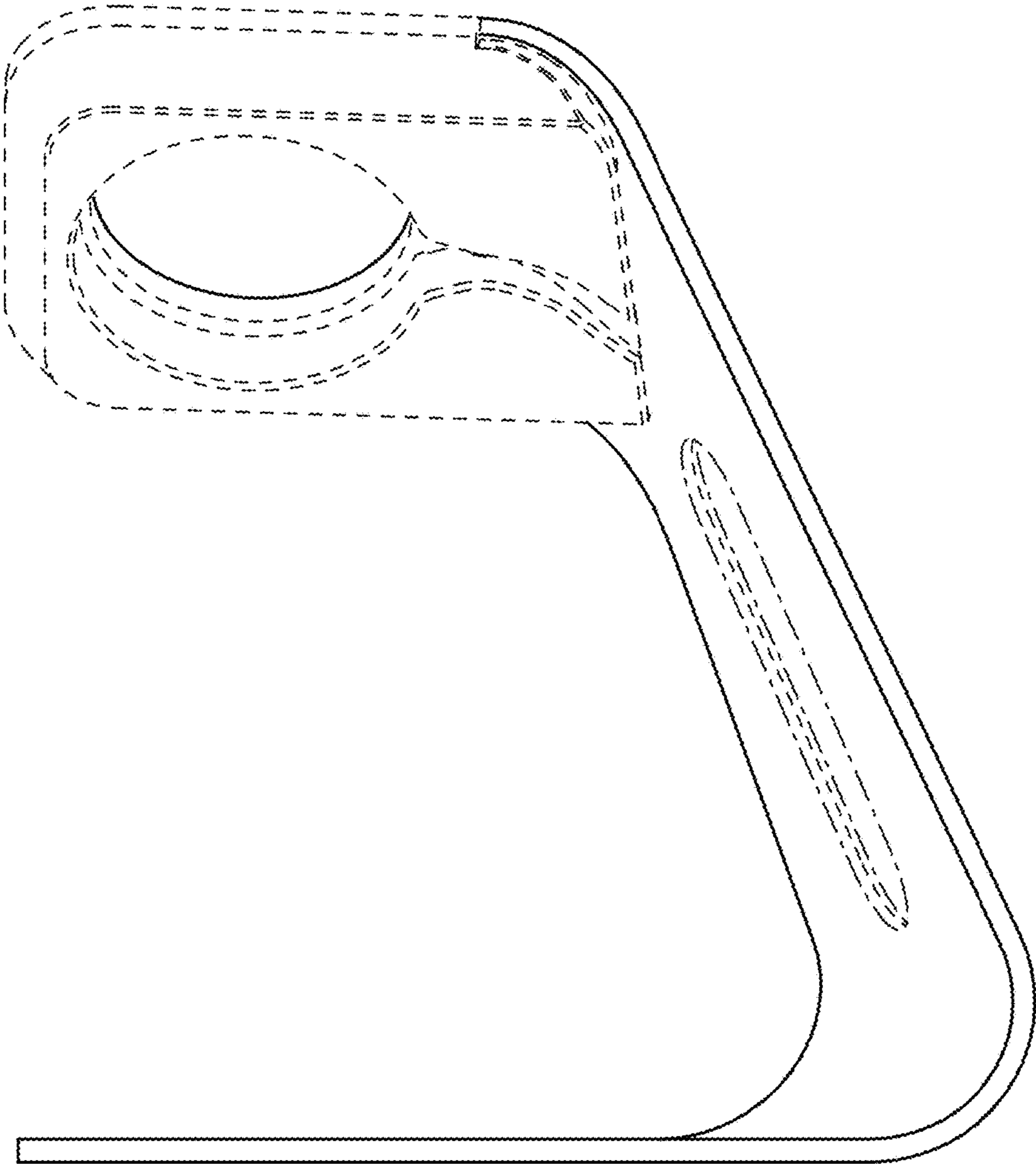


FIG. 5

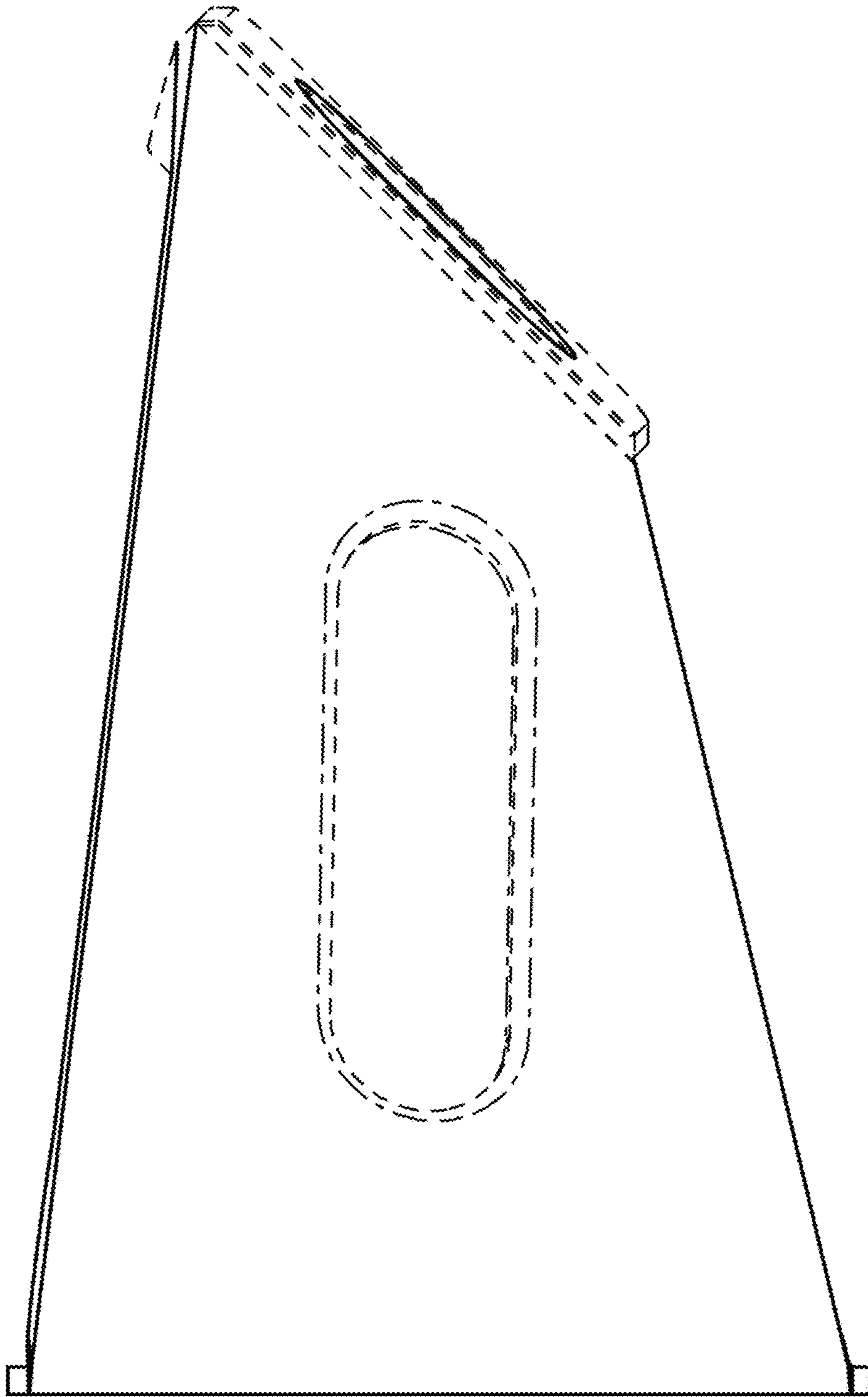


FIG. 6

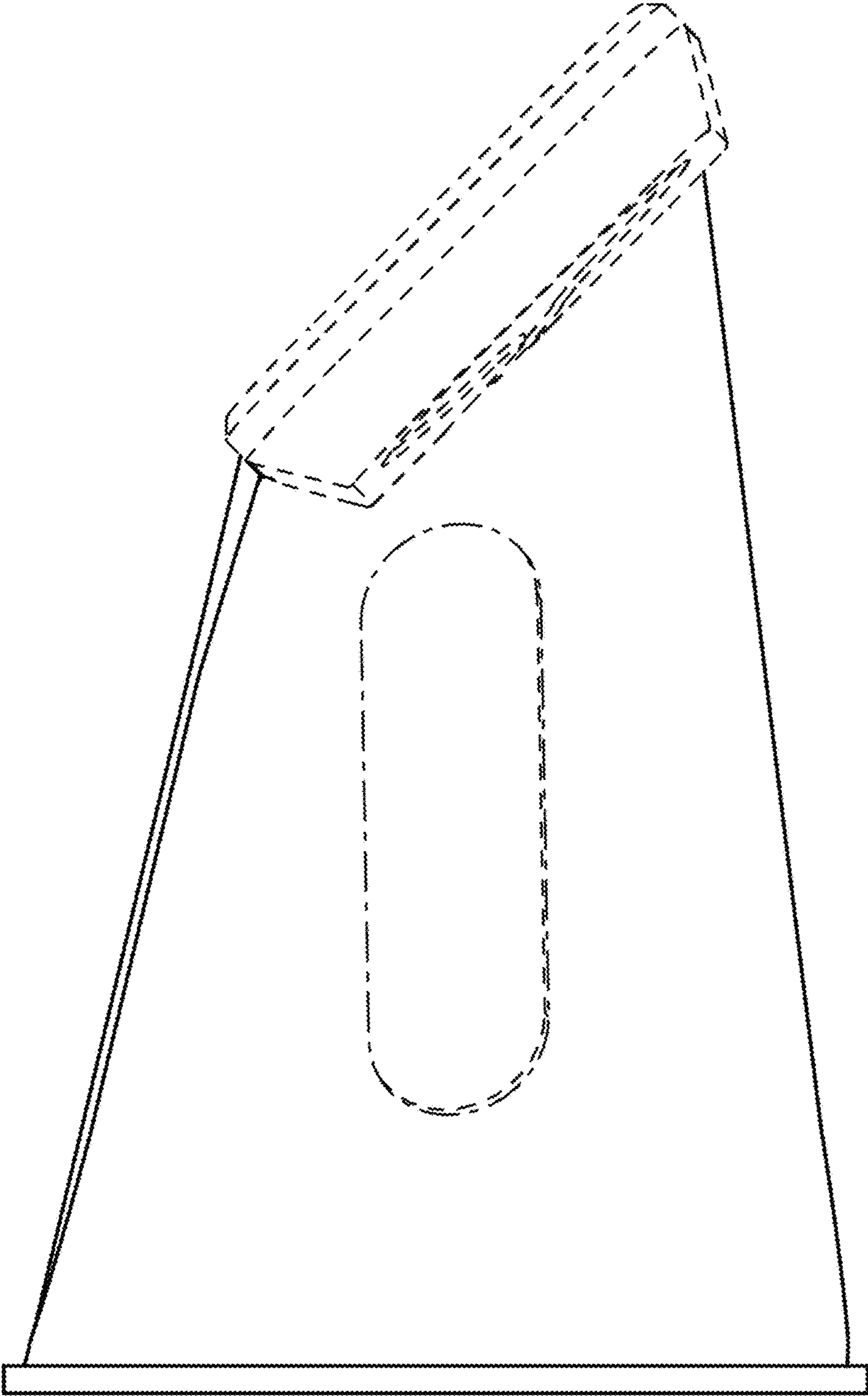


FIG. 7

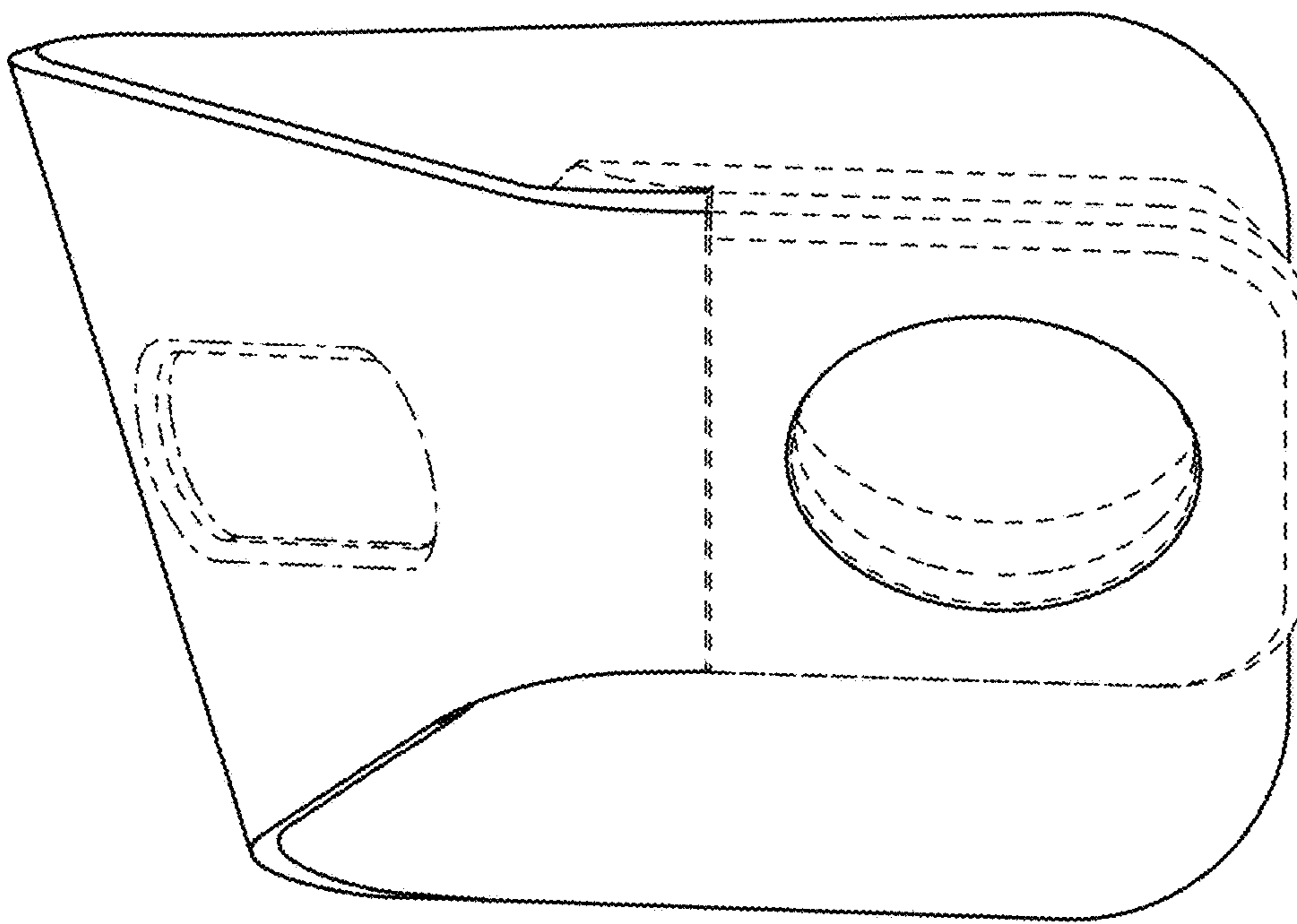


FIG. 8

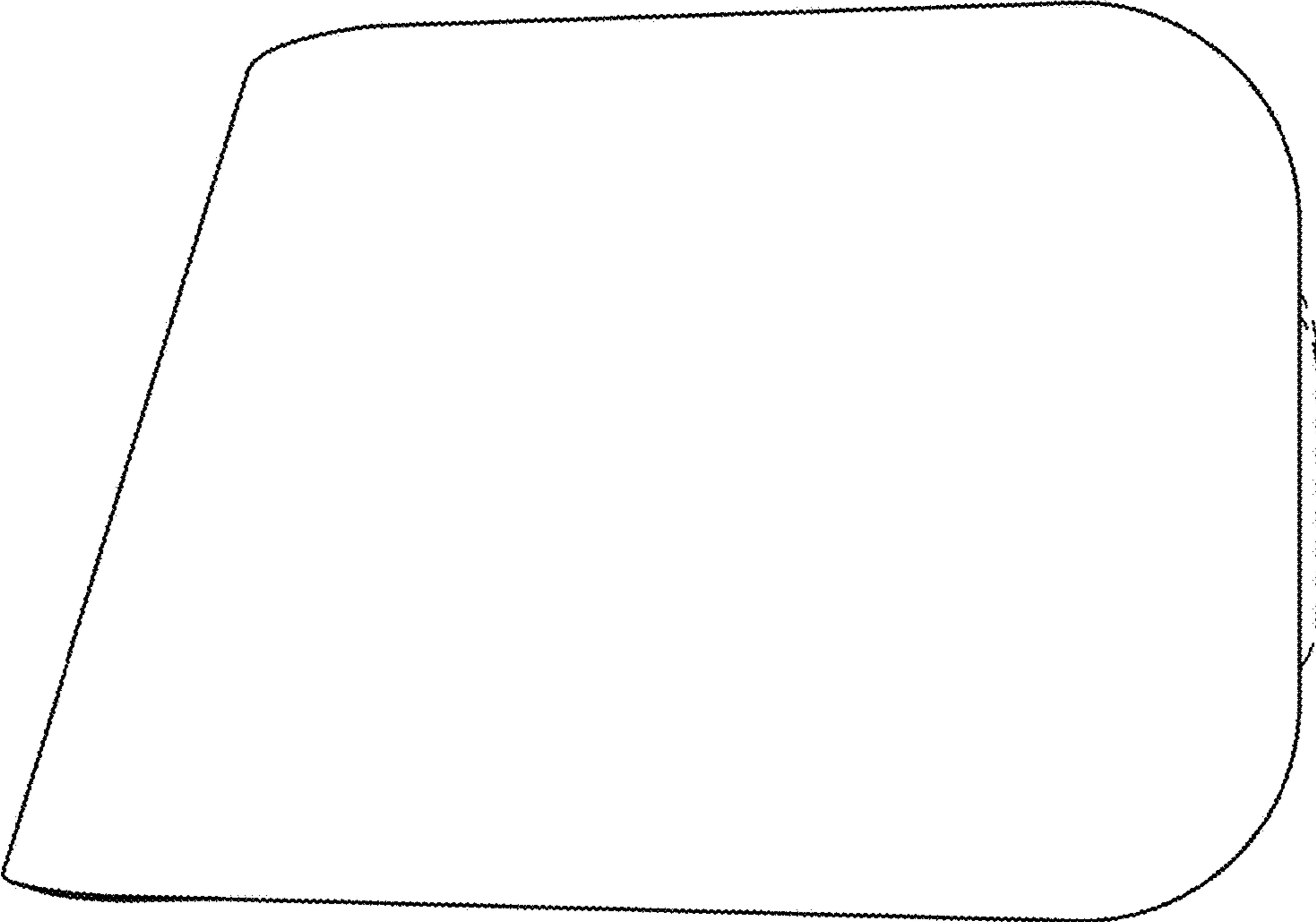


FIG. 9

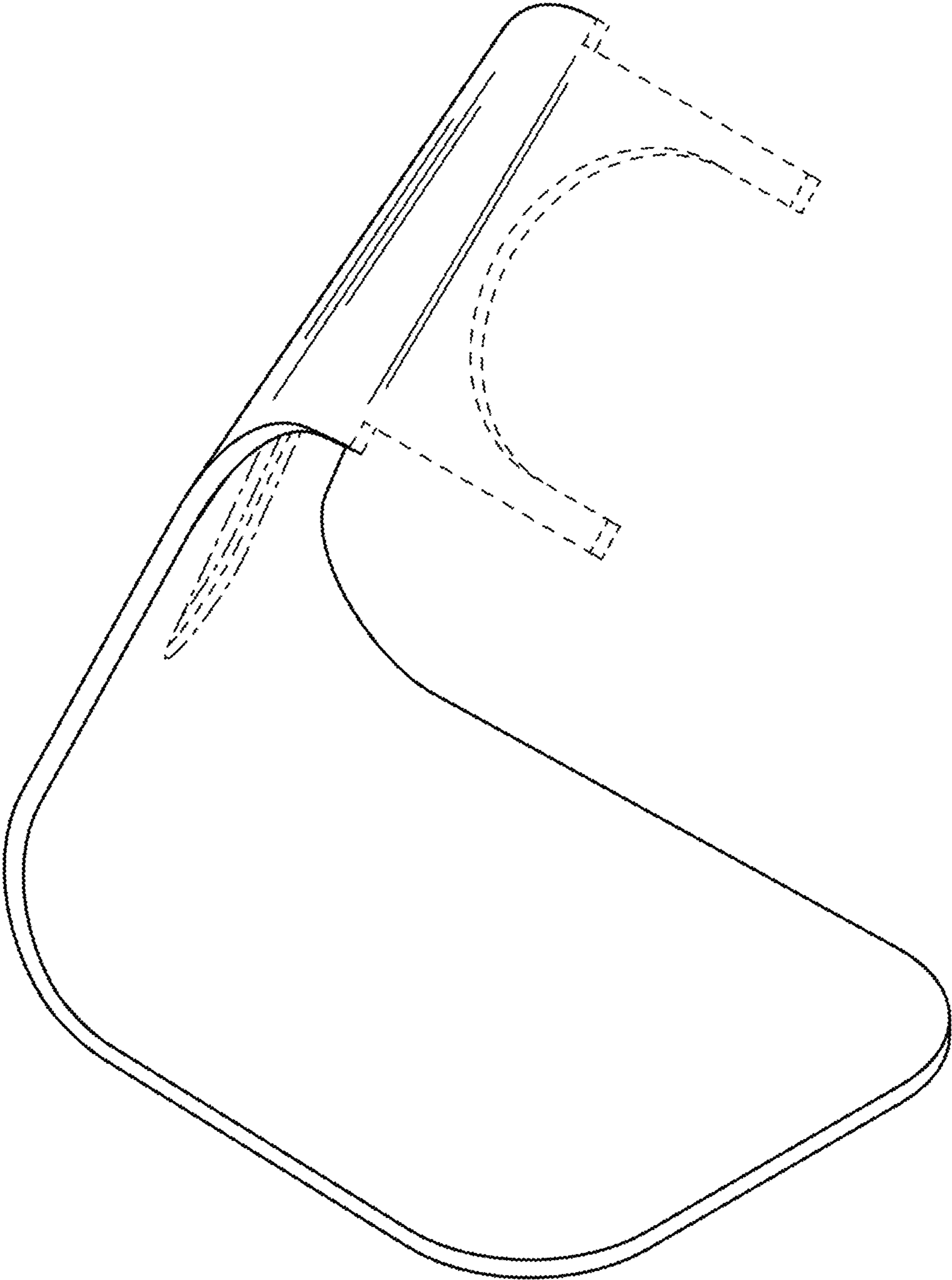


FIG. 10

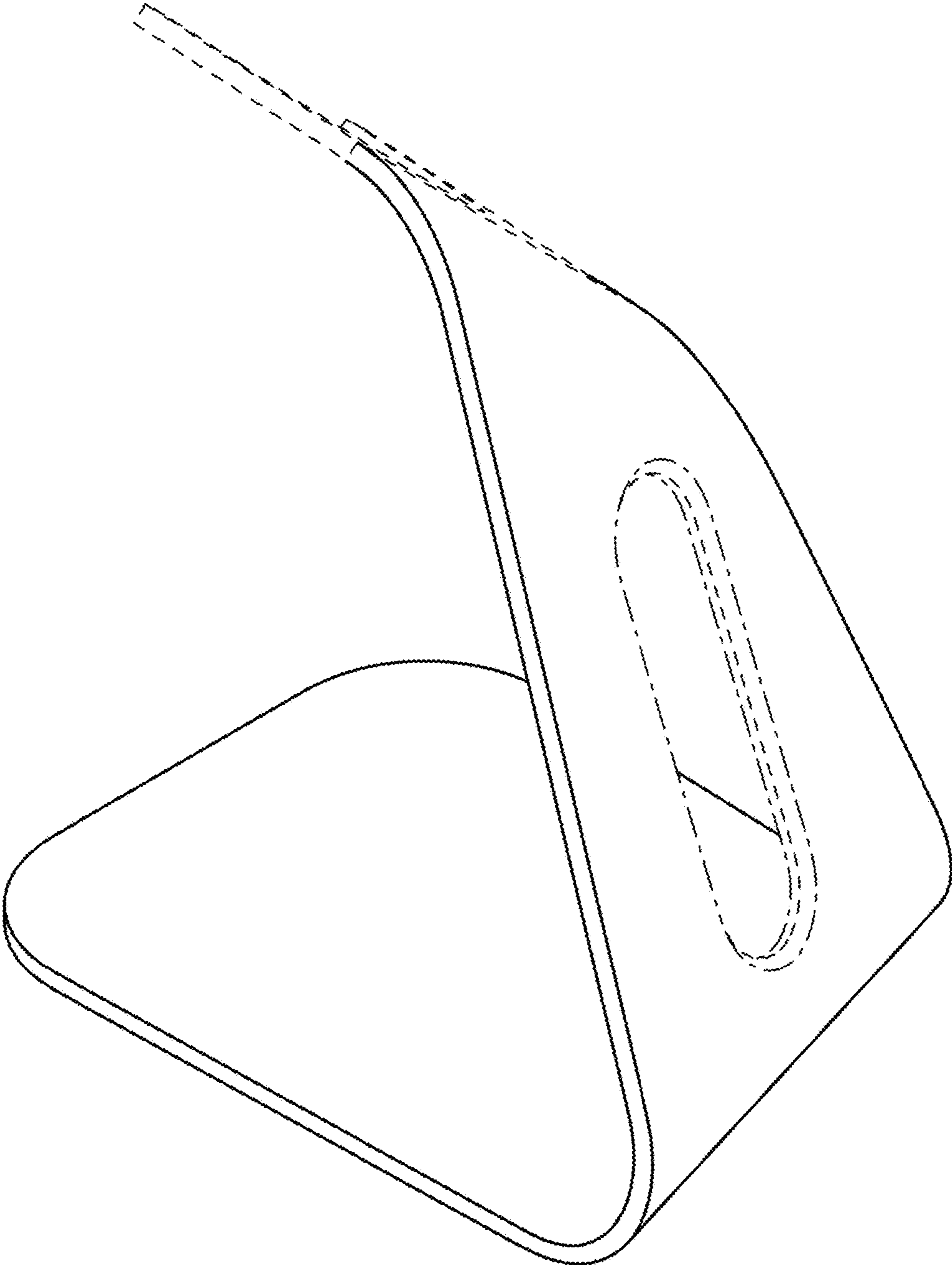


FIG. 11

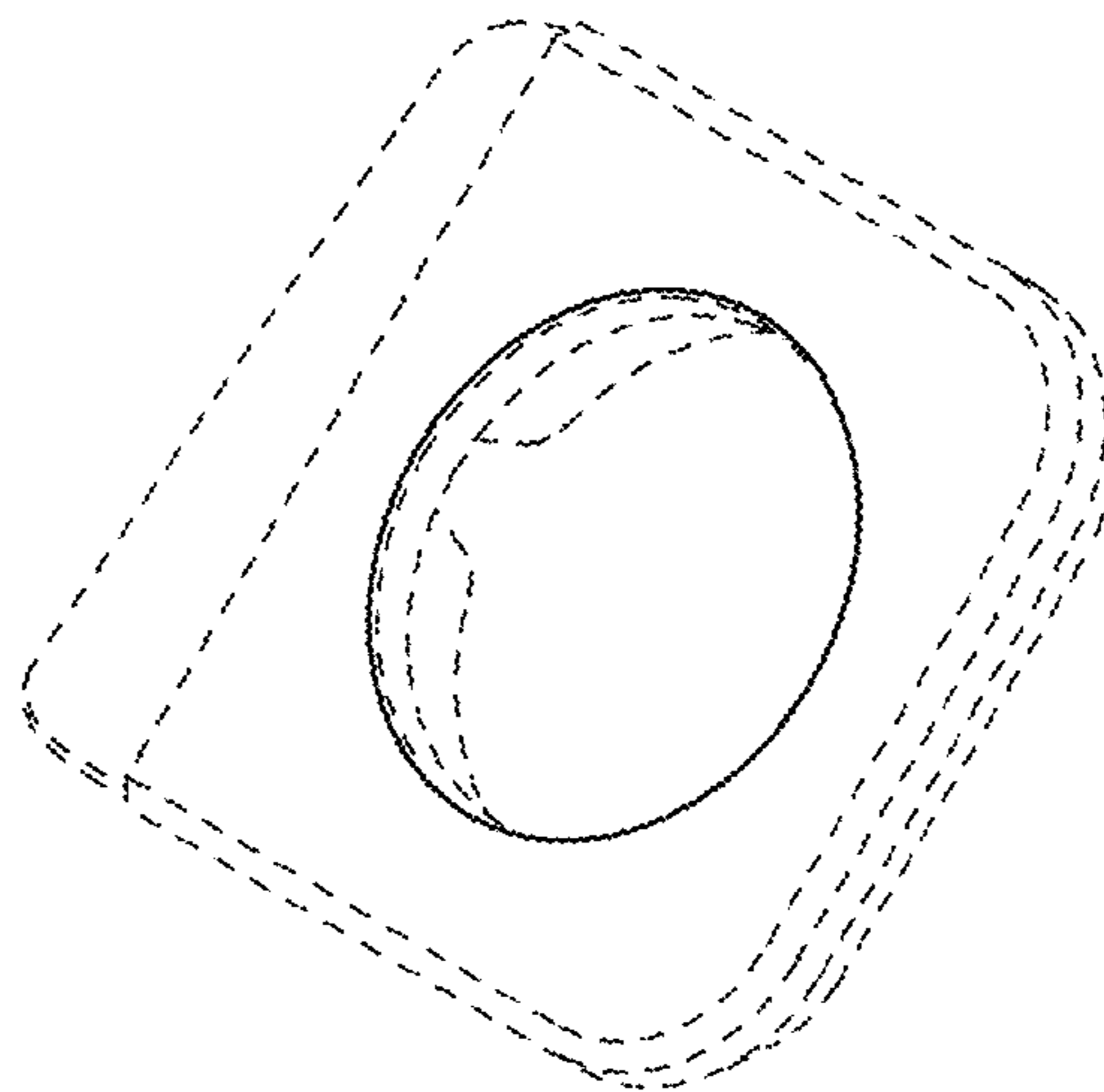


FIG. 12

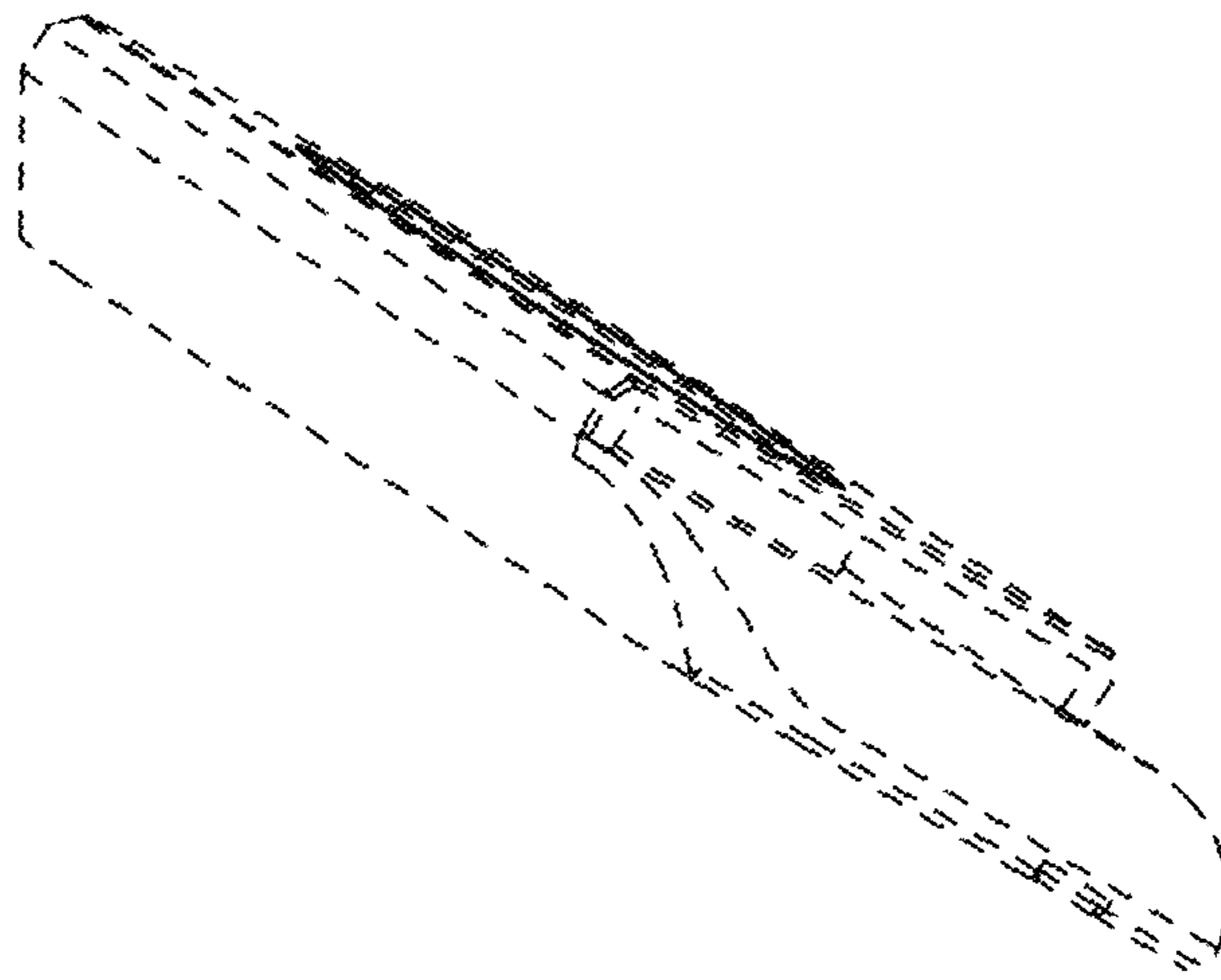


FIG. 13

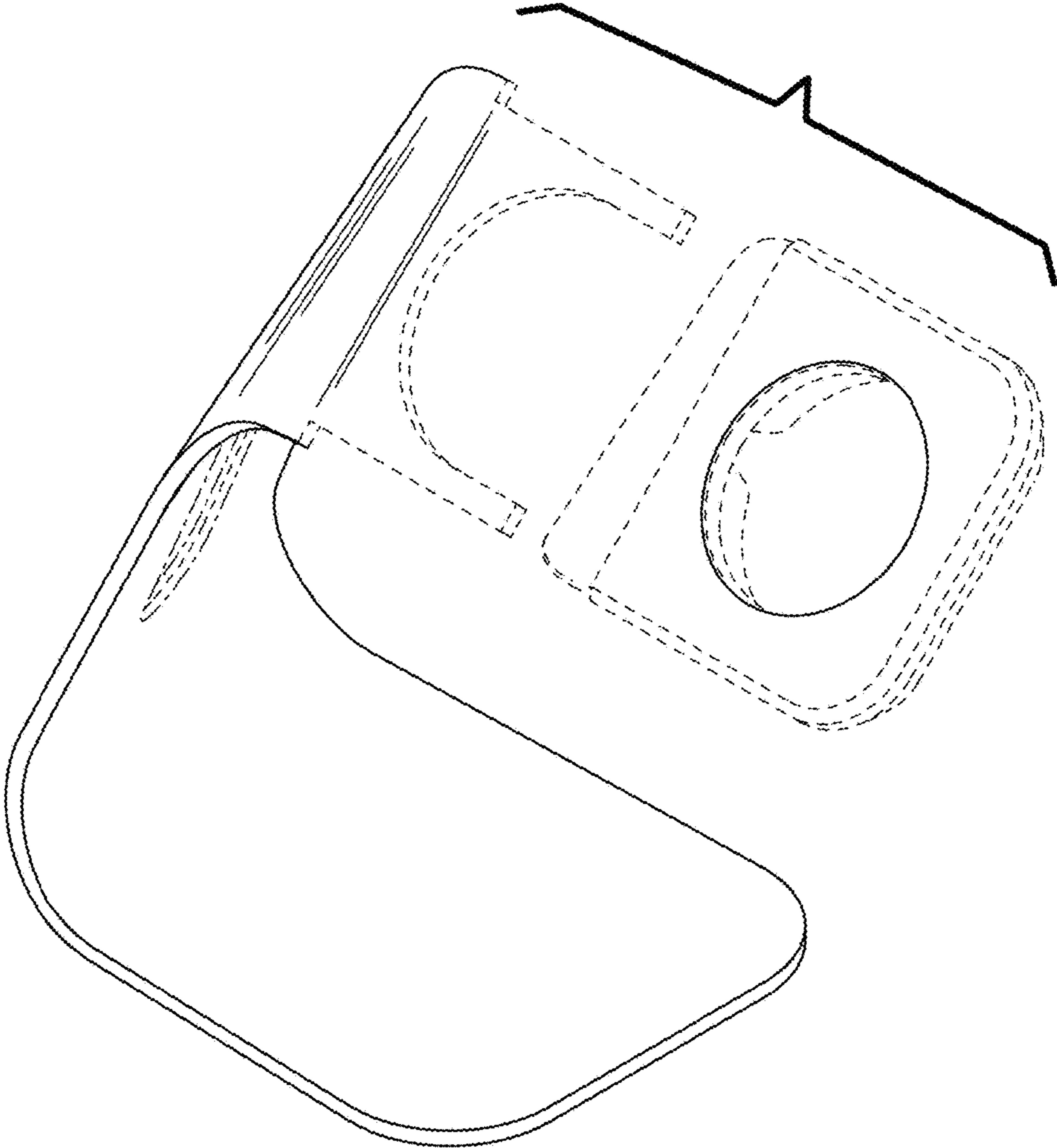


FIG. 14

