



US00D816653S

(12) **United States Design Patent** (10) **Patent No.:** **US D816,653 S**  
**Yu** (45) **Date of Patent:** **\*\* May 1, 2018**

(54) **MOBILE PHONE CASE**

- (71) Applicant: **Liangliang Yu**, Jiangxi Province (CN)
- (72) Inventor: **Liangliang Yu**, Jiangxi Province (CN)
- (\*\*) Term: **15 Years**
- (21) Appl. No.: **29/572,432**
- (22) Filed: **Jul. 28, 2016**
- (51) **LOC (11) Cl.** ..... **14-03**
- (52) **U.S. Cl.**  
USPC ..... **D14/250**
- (58) **Field of Classification Search**  
USPC ..... D14/143, 189, 203.2–203.7, 217, 238.1,  
D14/240, 248, 250–253, 440, 447, 496;  
D3/201, 218, 247–251, 269, 273, 301,  
D3/303; D13/103, 107–108, 119  
CPC ..... A45C 1/06; A45C 11/00; A45C 13/02;  
A45C 2011/002; A45F 2005/026; A45F  
2200/0525; A45F 2200/0516; H04B  
1/3888; H04M 1/0283; H04M 1/0202  
See application file for complete search history.

(56) **References Cited**

**U.S. PATENT DOCUMENTS**

D357,918 S *	5/1995	Doria	.....	D14/218
D637,591 S *	5/2011	Willes	.....	D14/250
D689,851 S *	9/2013	Chang	.....	D14/250
D703,650 S *	4/2014	Ehrlich	.....	D14/250
D716,294 S *	10/2014	Park	.....	D14/341
D719,950 S *	12/2014	Smith	.....	D14/250
D726,171 S *	4/2015	Edwards	.....	D14/250
D731,494 S *	6/2015	Barfoot	.....	D14/440
D735,706 S *	8/2015	Stevinson	.....	D14/250
D749,557 S *	2/2016	Feng	.....	D14/250
D772,212 S *	11/2016	Daniel	.....	D14/250
2012/0067751 A1 *	3/2012	Mongan	.....	A45C 11/00 206/216
2014/0051488 A1 *	2/2014	Chung	.....	H04M 1/0279 455/575.8
2016/0014922 A1 *	1/2016	Banerjee	.....	A45C 7/0031 206/38

**OTHER PUBLICATIONS**

CoverON® Hybrid Dual Layer Case with Credit Card Holder, posted at amazon.com, earliest date reviewed Oct. 1, 2013, [online], acquired on Sep. 25, 2017. Available from Internet, <URL: https://www.amazon.com/CoverON%C2%AE-Hybrid-Credit-Holder-IPHONE/dp/B00E8M5BE6/ref=cm\_cr\_arp\_d\_product\_top?ie=UTF8>.\*

Vofolen iPhone 5S case, posted at amazon.com, earliest date reviewed Jun. 16, 2015, [online], acquired on Sep. 25, 2017. Available from Internet, <URL: https://www.amazon.com/iPhone-Vofolen-Impact-Resistant-Protective/dp/B00Z5WD5F0/ref=cm\_cr\_arp\_d\_product\_top?ie=UTF8>.\*

TORU: iPhone SE Case, posted at amazon.com, earliest date reviewed Jul. 12, 2014, [online], acquired on Sep. 25, 2017. Available from Internet, <URL: https://www.amazon.com/iPhone-TORU-Wallet-Protective-Hidden/dp/B00KL20H1E/ref=cm\_cr\_arp\_d\_product\_top?ie=UTF8>.\*

\* cited by examiner

*Primary Examiner* — Cathron C Brooks  
*Assistant Examiner* — Aula Soroush

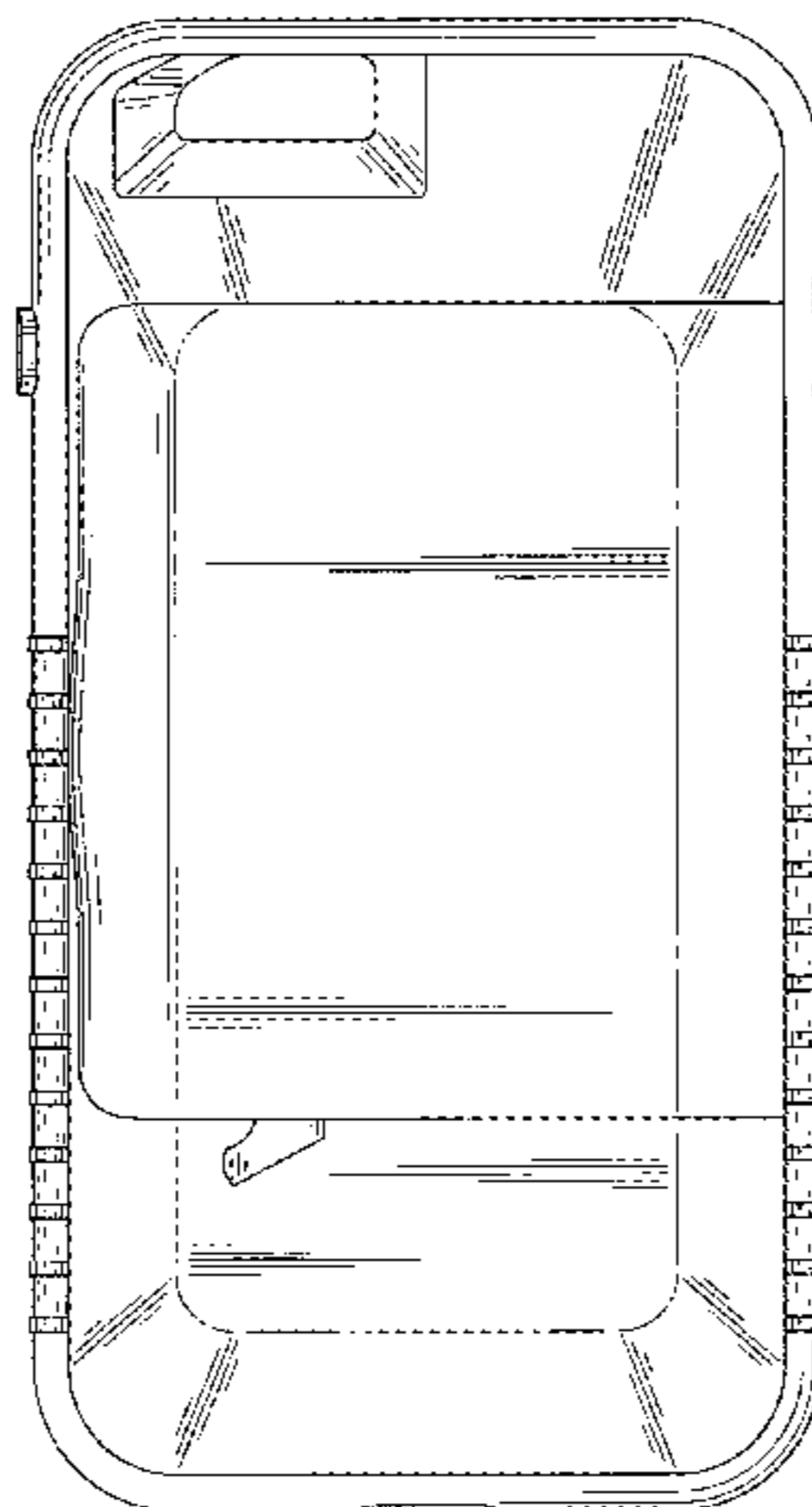
(57) **CLAIM**

The ornamental design for a mobile phone case, as shown and described.

**DESCRIPTION**

FIG. 1 is a front elevational view of a mobile phone case showing my new design;  
FIG. 2 is a rear elevational view thereof;  
FIG. 3 is a left side view thereof;  
FIG. 4 is a right side view thereof;  
FIG. 5 is a top plan view thereof;  
FIG. 6 is a bottom plan view thereof;  
FIG. 7 is a perspective view thereof;  
FIG. 8 is a second perspective view with cover opened;  
FIG. 9 is a third perspective view with cover opened; and,  
FIG. 10 is a fourth perspective view with cover opened.  
The broken lines illustrate portions of the mobile phone case that form no part of the claimed design.

**1 Claim, 9 Drawing Sheets**



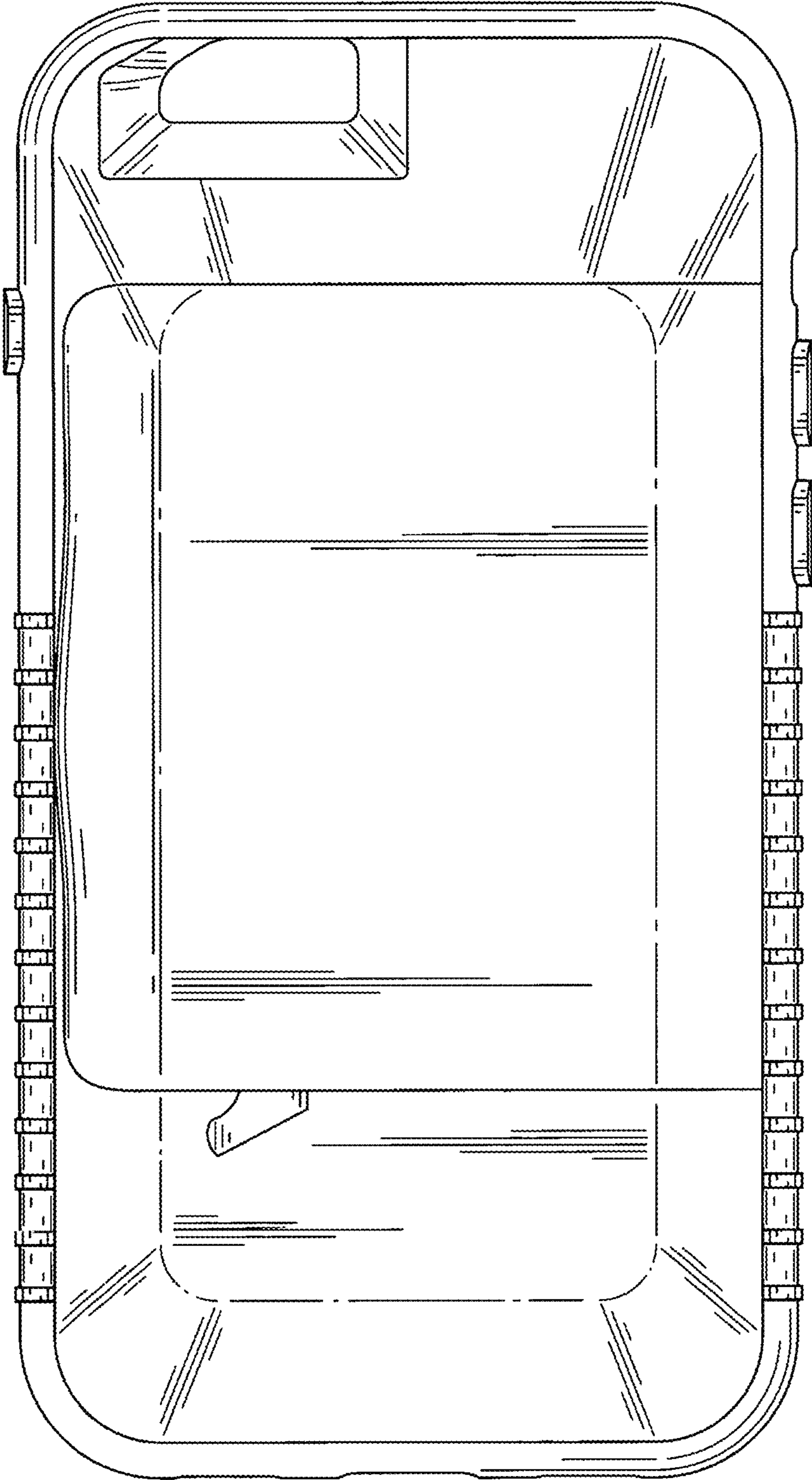


FIG. 1

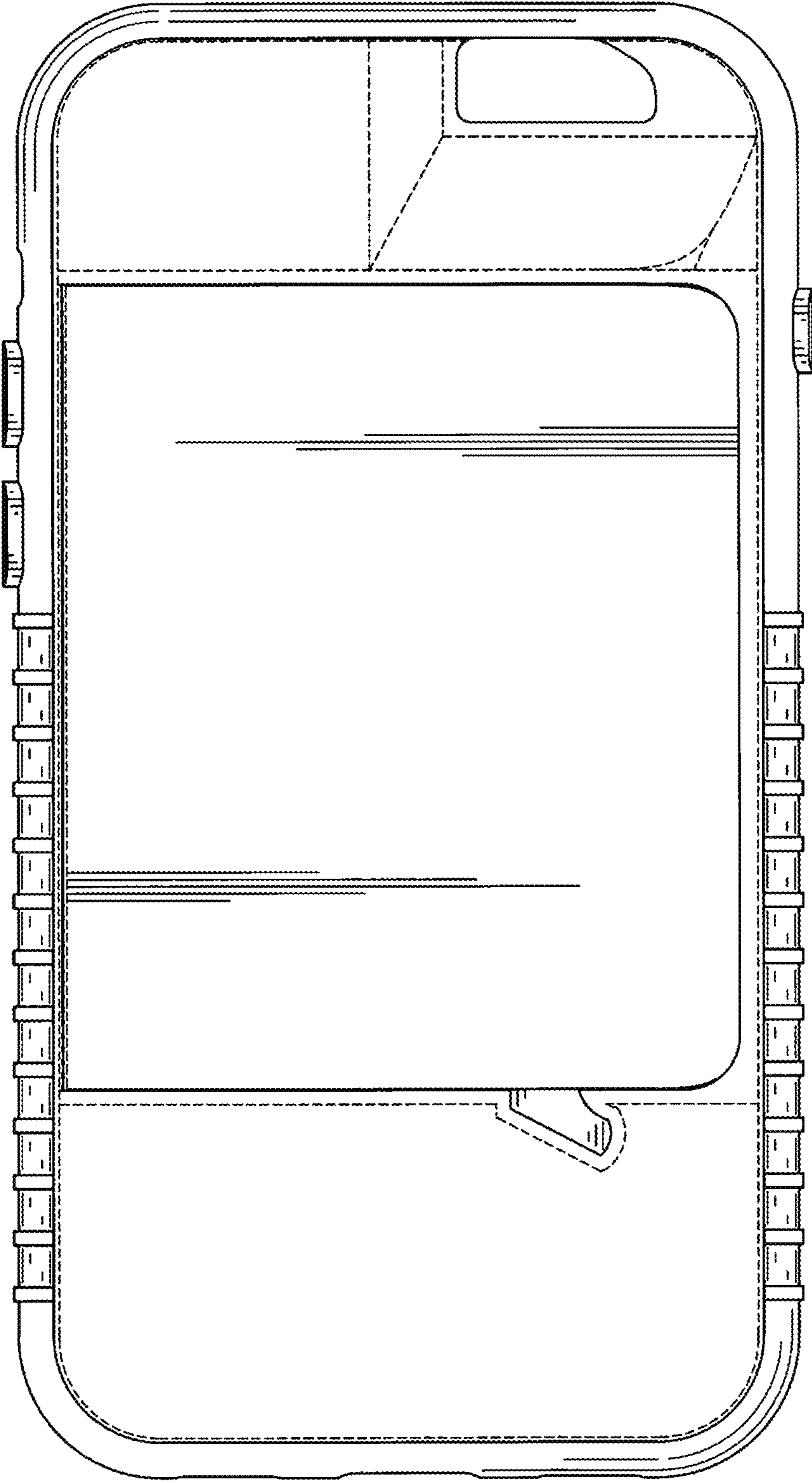


FIG. 2

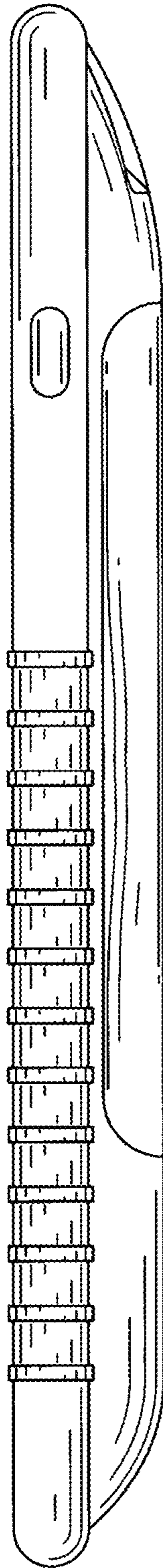


FIG. 3

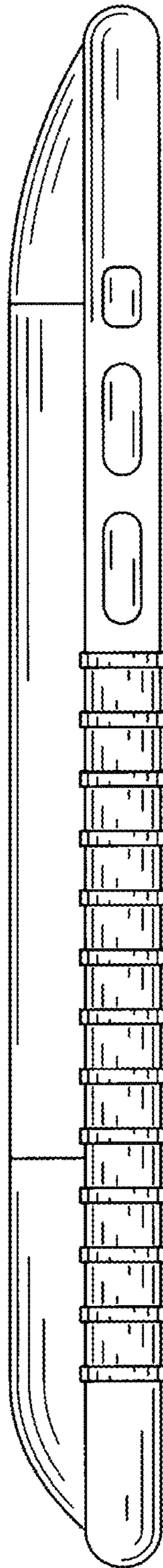


FIG. 4

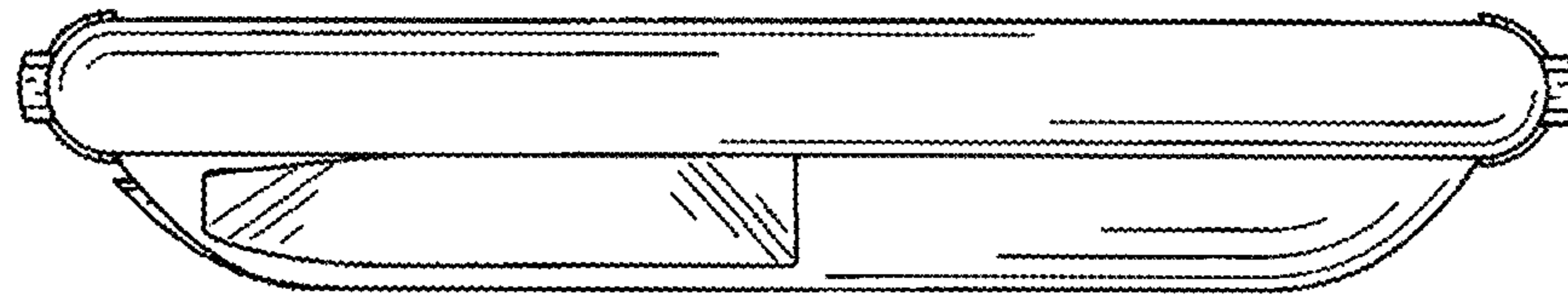


FIG. 5

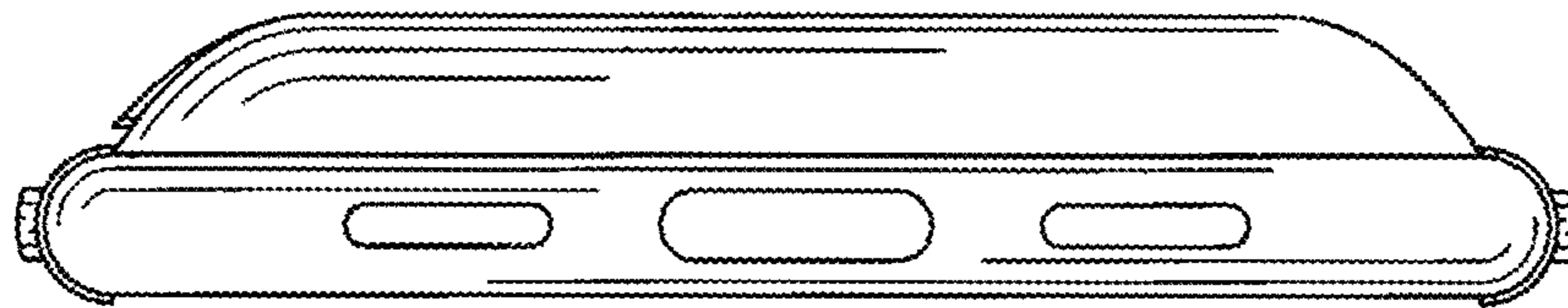


FIG. 6

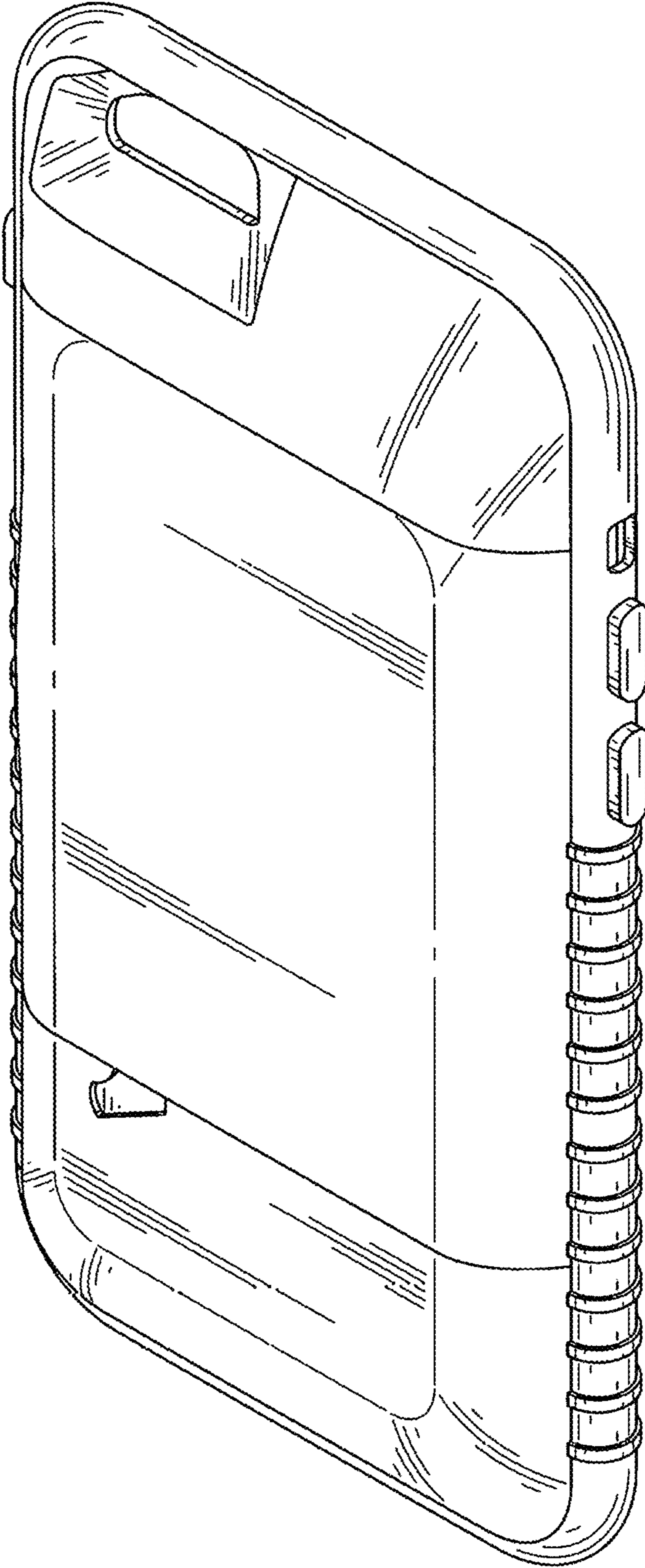


FIG. 7

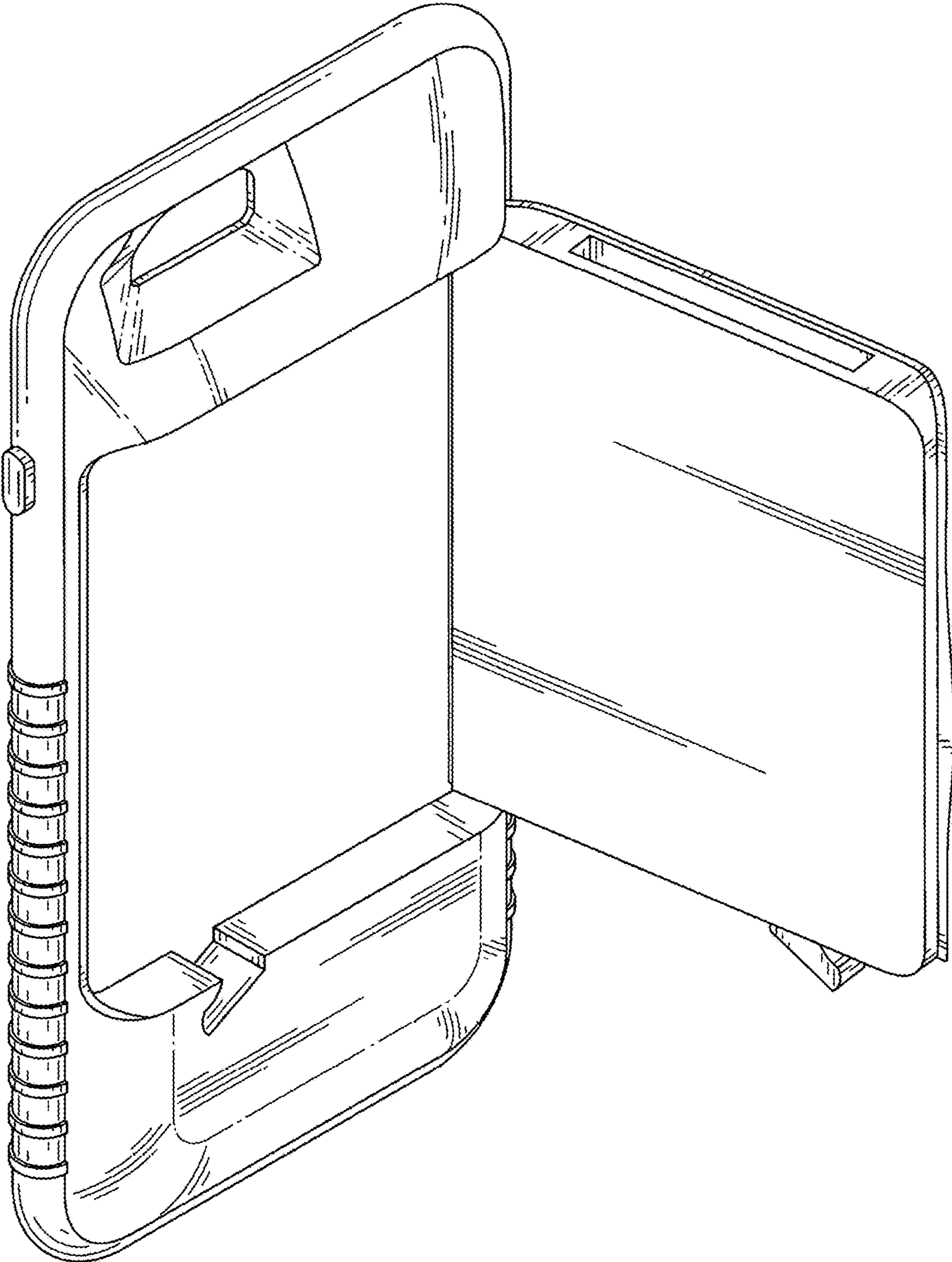


FIG. 8



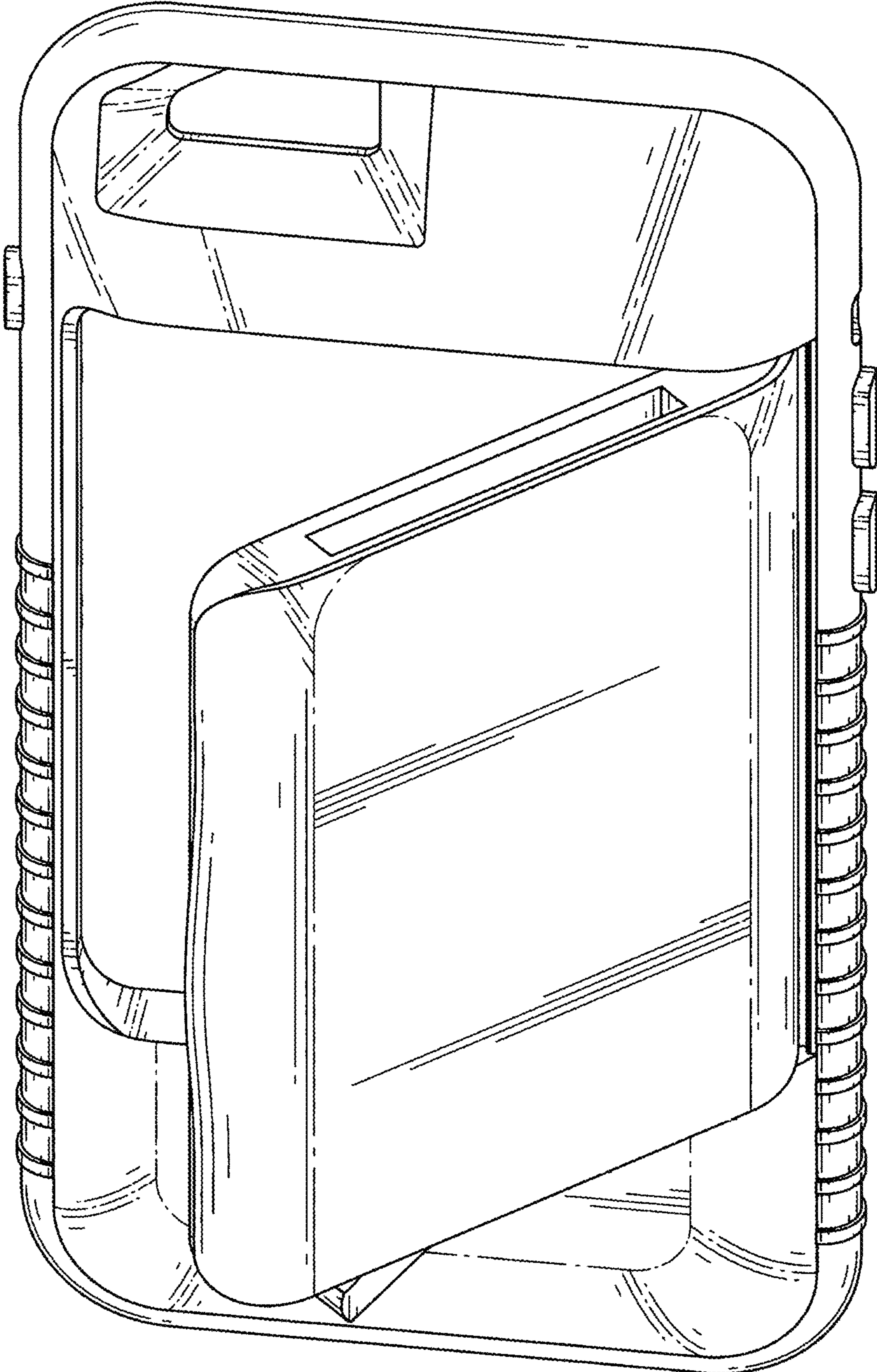


FIG. 9

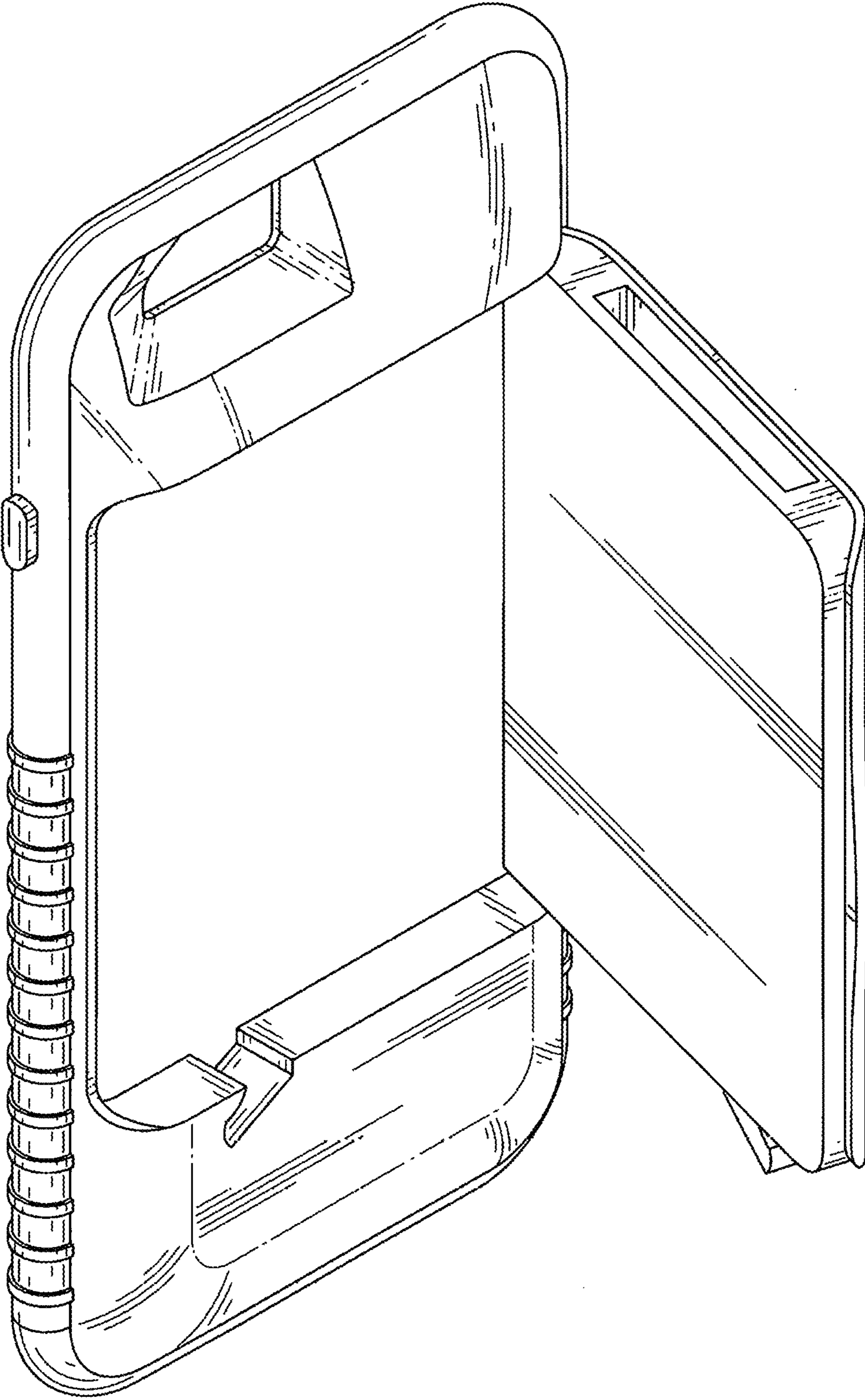


FIG. 10