



US00D816648S

(12) **United States Design Patent** (10) **Patent No.:** **US D816,648 S**
Kwak (45) **Date of Patent:** **** May 1, 2018**

(54) **MODEM**

(71) Applicant: **SAMSUNG ELECTRONICS CO., LTD.**, Suwon-si, Gyeonggi-do (KR)

(72) Inventor: **Jihee Kwak**, Seoul (KR)

(73) Assignee: **SAMSUNG ELECTRONICS CO., LTD.**, Gyeonggi-Do (KR)

(**) Term: **15 Years**

(21) Appl. No.: **29/588,695**

(22) Filed: **Dec. 22, 2016**

(30) **Foreign Application Priority Data**

Sep. 5, 2016 (KR) 30-2016-0043577

(51) **LOC (11) Cl.** **14-03**

(52) **U.S. Cl.**
USPC **D14/240; D14/358**

(58) **Field of Classification Search**
USPC D14/125, 129, 130, 137, 140, 142, 155, D14/168, 172, 188, 195, 203.1, 203.6, D14/203.8, 204, 209, 209.1, 216, 230, D14/231, 233, 235, 236, 237, 240, 242, D14/299, 300, 302, 348, 351, 356, 357, D14/358, 361, 362, 365, 367, 370, 388, D14/432, 434, 496, 210, 215; D13/103, D13/107, 108, 123, 152, 158, 162, 162.1, D13/163, 168, 184, 199; D10/104.1, D10/106.2, 106.3, 106.5, 106.6, 106.9, D10/106.91, 116.1, 61, 64, 75; D9/432
CPC ... H04W 88/08; H04W 88/085; H04W 88/00; H04W 88/005; H04W 88/02; H04W 88/12; H04W 88/14; H04W 88/16; H04W 88/18; H04W 4/00; H01C 1/02; H01C 1/2291; H01C 1/246; H04B 1/38

See application file for complete search history.

(56) **References Cited**

U.S. PATENT DOCUMENTS

D272,738 S * 2/1984 Best D13/184
D339,115 S * 9/1993 Eilertsen D14/242
D465,481 S * 11/2002 Haaparanta D14/242

(Continued)

FOREIGN PATENT DOCUMENTS

CN 303348068 S 8/2015
EM 001195101-0003 A1 2/2010
JP D1424150 S 9/2011

OTHER PUBLICATIONS

“Samsung’s dual-band CY-SWR1100 wireless router prioritizes for media streaming,” Samsung Dual-Band Wireless Router pictured therein, as posted at Engadget.com [online], posted on Jan. 5, 2011, [site visited Jan. 2, 2018]. Available from the Internet, <URL: https://www.engadget.com/2011/01/05/samsungs-dual-band-cy-swr1100-wireless-router-prioritizes.*

(Continued)

Primary Examiner — Jeffrey D Asch

Assistant Examiner — Rebekah A Caruso

(74) *Attorney, Agent, or Firm* — Cantor Colburn LLP

(57) **CLAIM**

The ornamental design for a modem, as shown and described.

DESCRIPTION

FIG. 1 is a perspective view of a modem, showing my new design;
FIG. 2 is a front view thereof;
FIG. 3 is a rear view thereof;
FIG. 4 is a side view thereof;
FIG. 5 is another side view thereof;

(Continued)

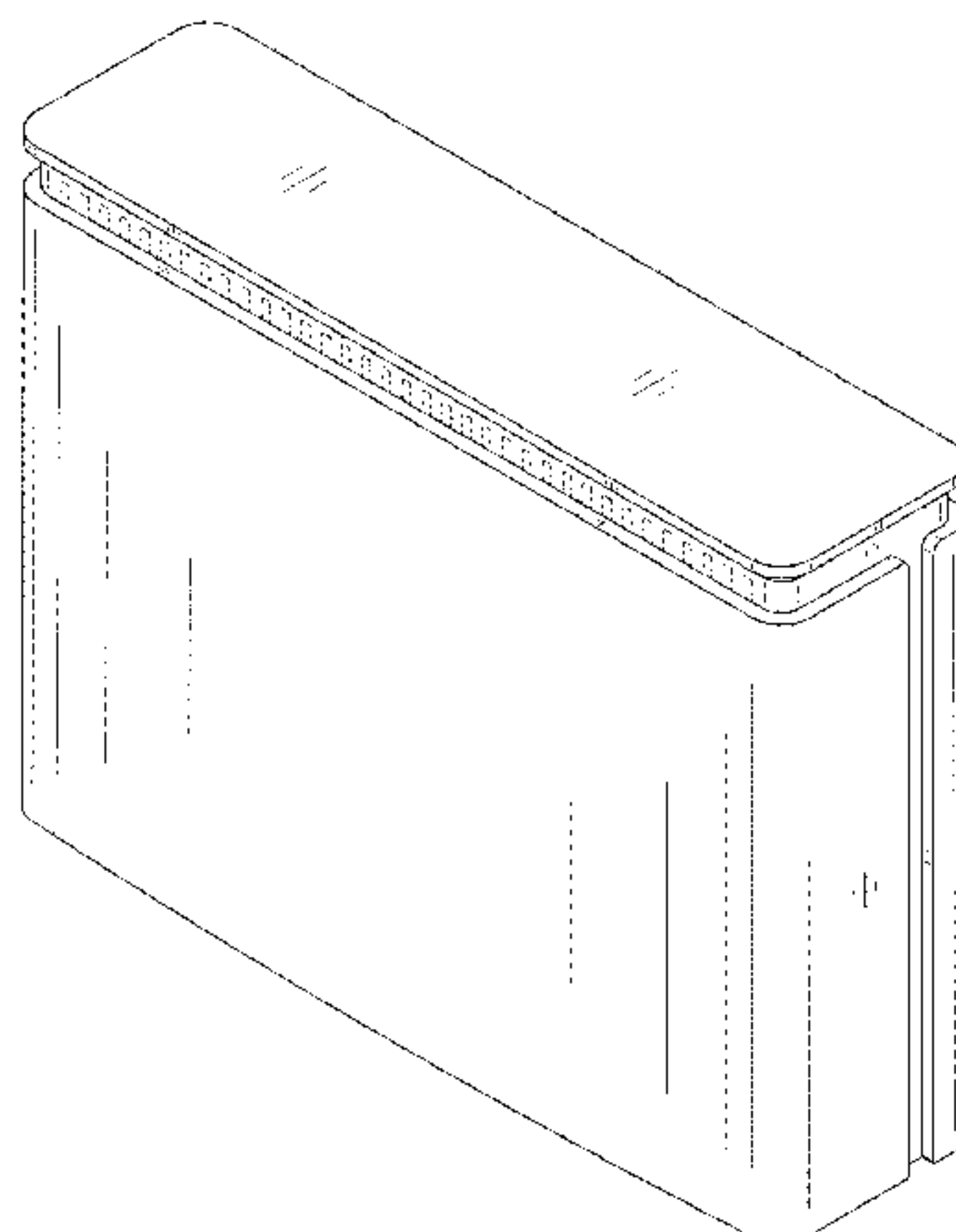


FIG. 6 is a top view thereof; and,
FIG. 7 is a bottom view thereof.
The broken lines illustrating portions of the modem form no
part of the claimed design.

1 Claim, 7 Drawing Sheets

D756,943 S *	5/2016	Epstein	D13/184
D770,888 S *	11/2016	Bougay	D9/424
D789,907 S *	6/2017	Summerson	D14/204
D795,044 S *	8/2017	McNutt	D13/156
D797,095 S *	9/2017	Delpier	D14/314
D797,913 S *	9/2017	Asvaintra	D23/351

(56)

References Cited

U.S. PATENT DOCUMENTS

D491,166 S *	6/2004	Hakoda	D14/214
D565,571 S *	4/2008	Trifilio	D14/356
D602,019 S *	10/2009	Wang	D14/356
D626,951 S *	11/2010	Ding	D14/240
D687,023 S *	7/2013	Jung	D14/242
D736,306 S *	8/2015	Iida	D17/24
D738,870 S *	9/2015	Ding	D14/240
D749,064 S *	2/2016	Bhattacharya et al.	
D749,509 S *	2/2016	Blau	D13/108

OTHER PUBLICATIONS

“Wireless HD video is here, so why do we still use HDMI cables?,”
IOGear Wireless HD Digital Kit pictured therein, as posted at
CNet.com [online], posted on Feb. 23, 2016, [site visited Jan. 2,
2018]. Available from the Internet, <URL: <https://www.cnet.com/news/wireless-hd-video-is-here-so-why-do-we-still-use-hdmi-cables/>>.*
“Wireless 3G Router Will Power Bank”. [online]. pp. 1-5 [retrieved
on Dec. 12, 2016]. Retrieved from the Internet: <URL: <http://ko.aliexpress.com/item/3G-WIFI-Router-Wireless-Card-Reader-TF-M2-SD-MS-CF-Power-Bank-For-iPhone-iPad/32424712851.html>>.

* cited by examiner

FIG. 1

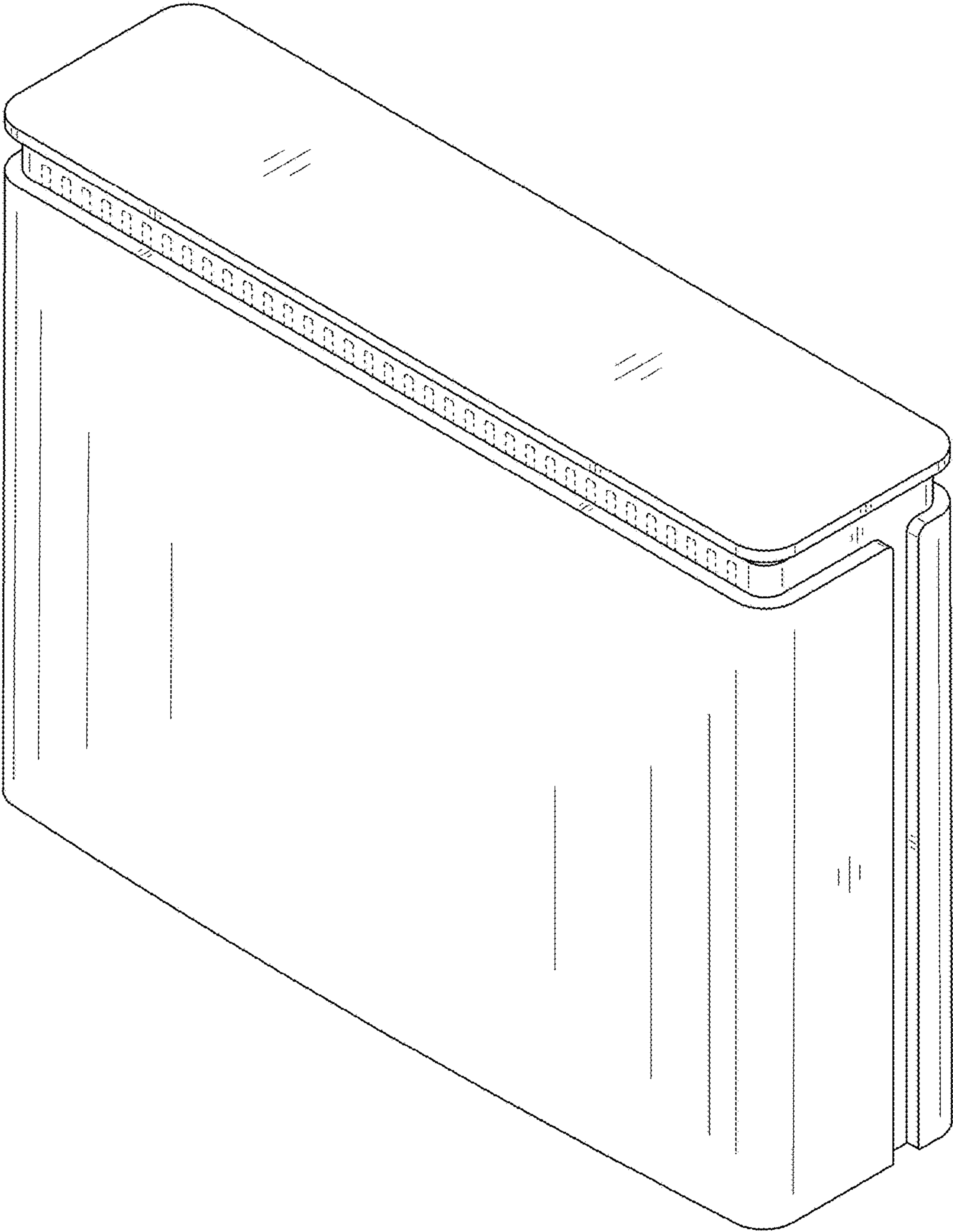


FIG. 2

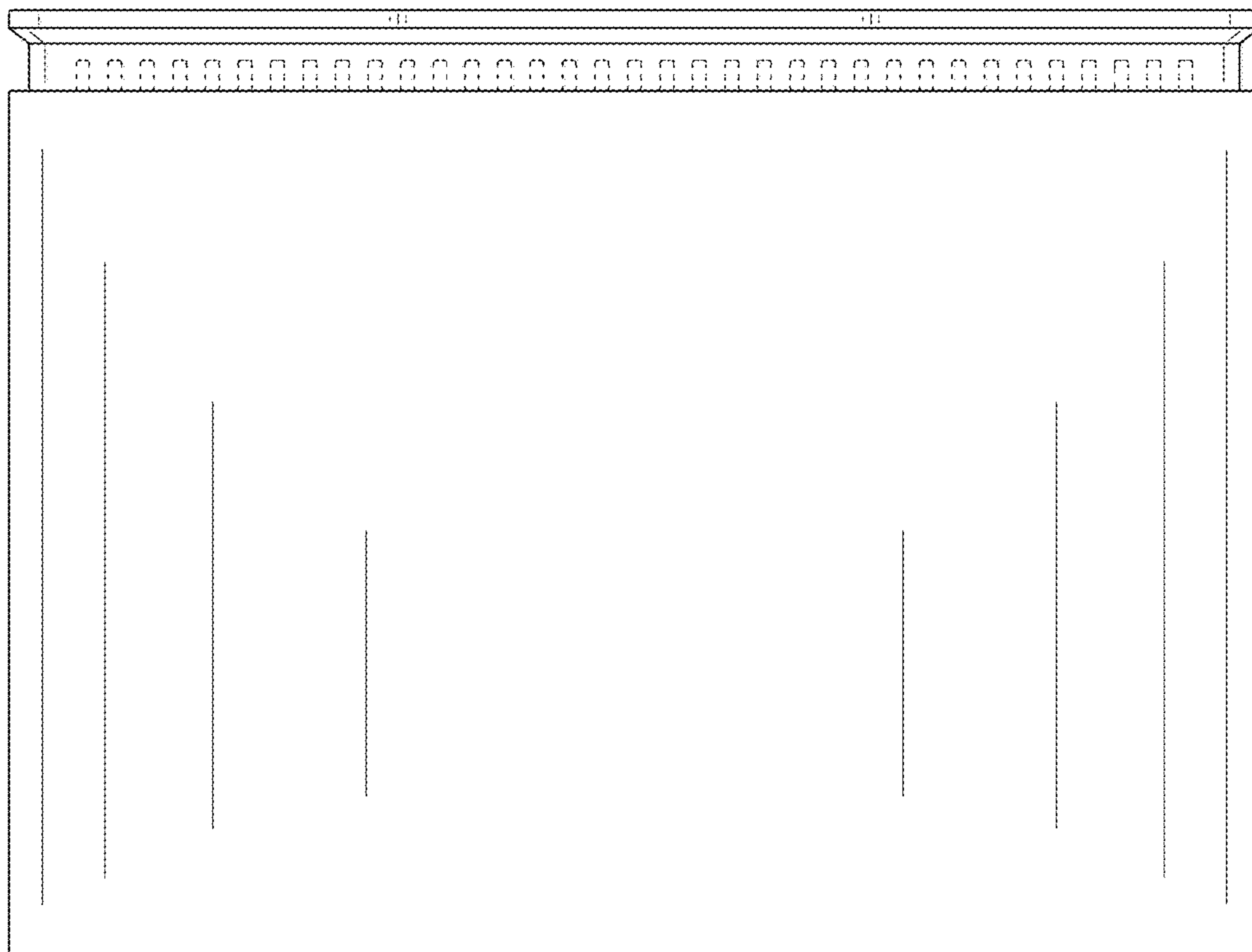


FIG. 3

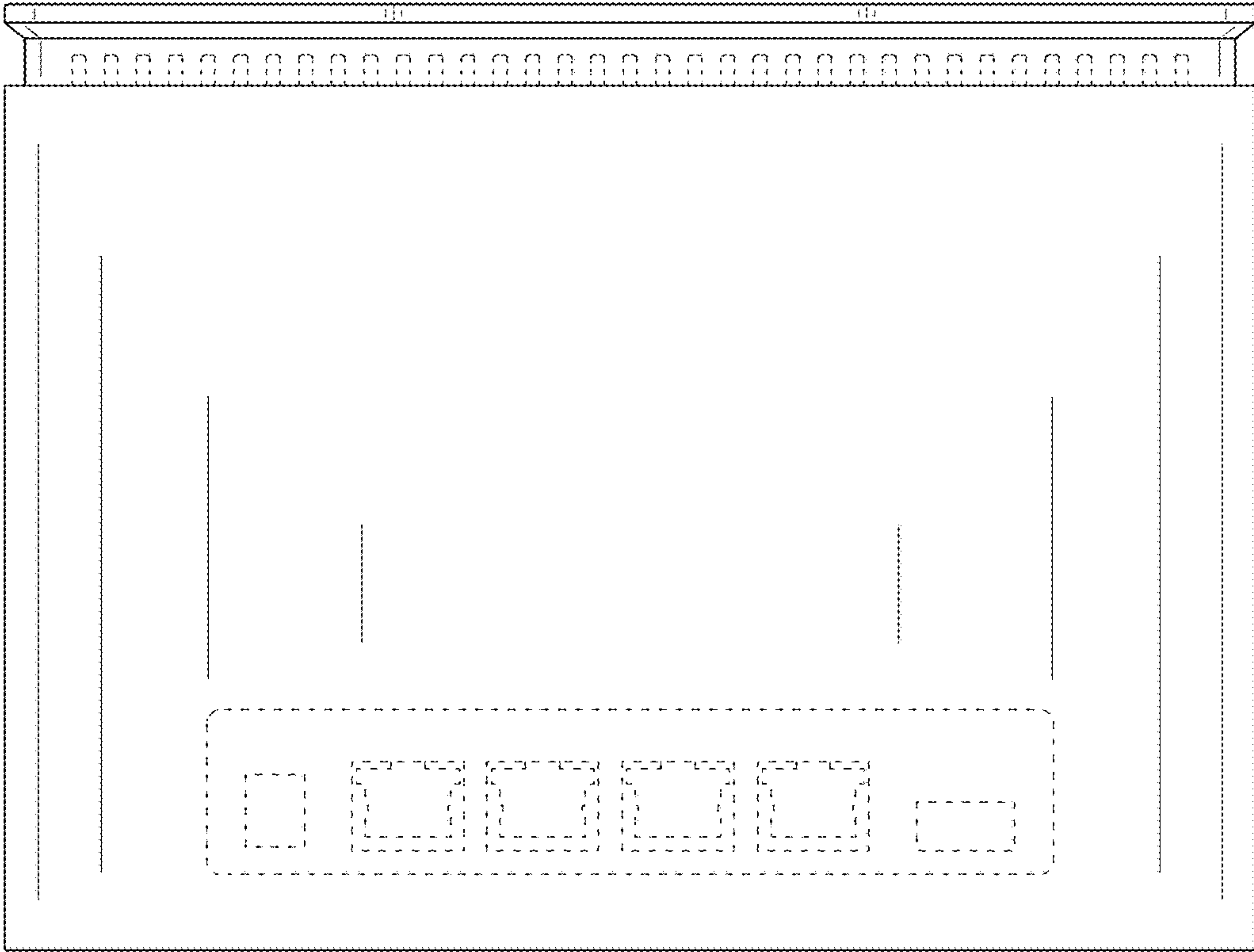


FIG. 4

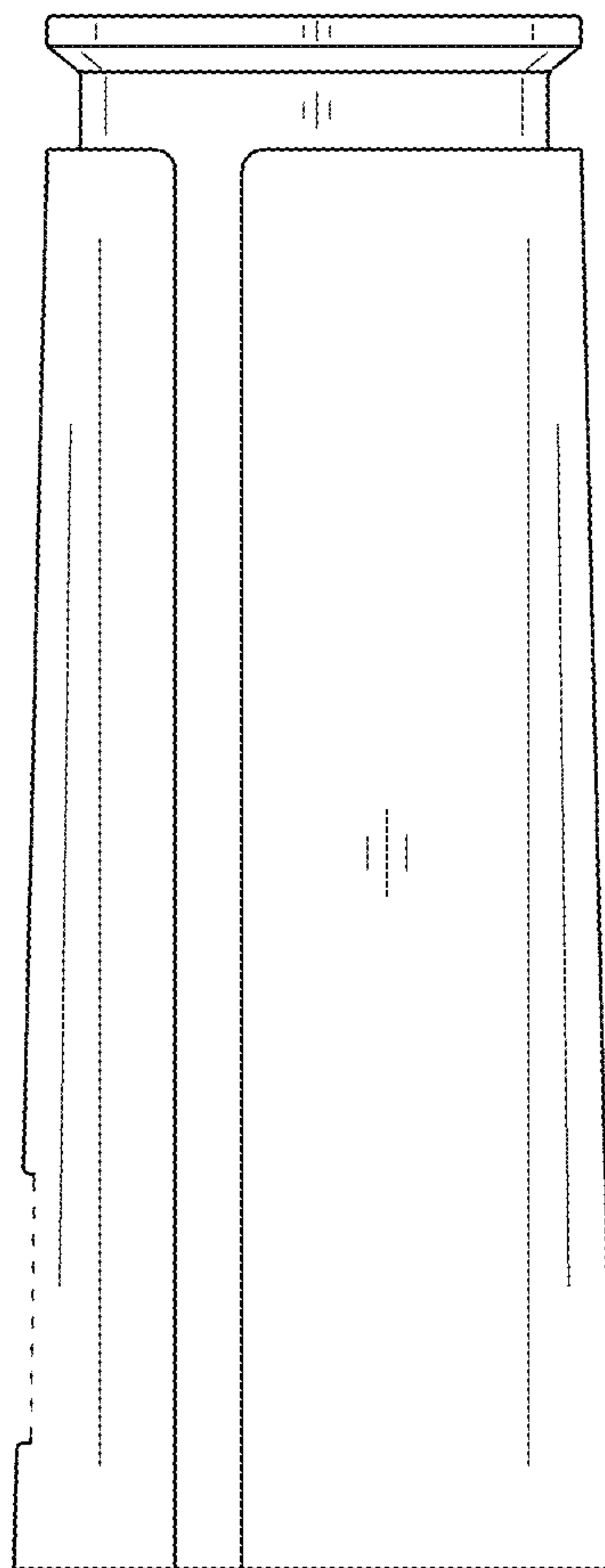


FIG. 5

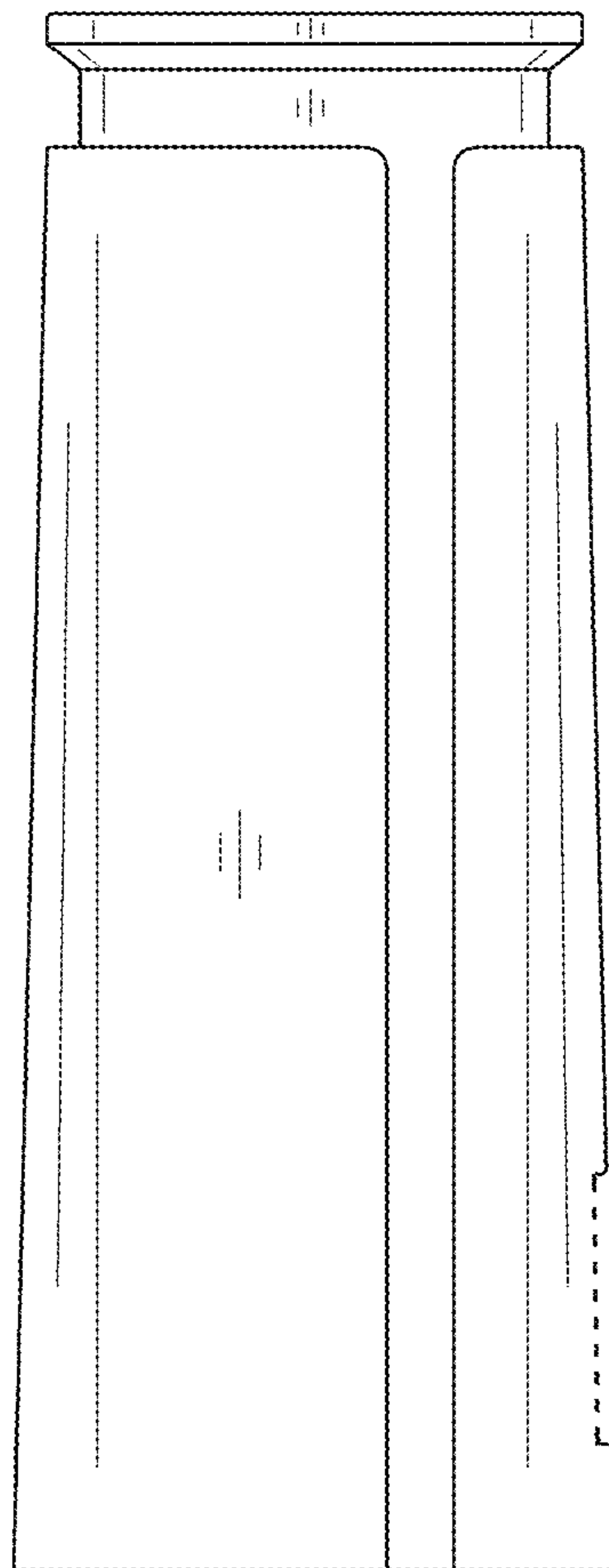


FIG. 6

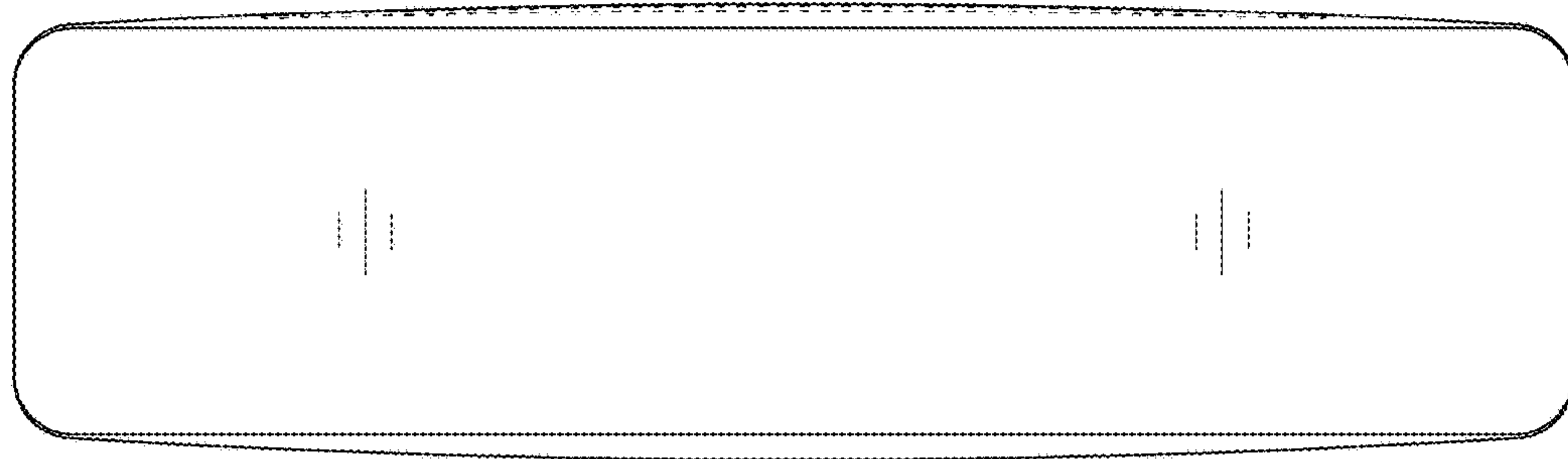


FIG. 7

