

US00D816647S

(12) **United States Design Patent** (10) **Patent No.:** **US D816,647 S**
Li (45) **Date of Patent:** **** May 1, 2018**

(54) **WIRELESS HOME GATEWAY**

(71) Applicant: **SKYFIDELITY INC.**, Newport Beach, CA (US)
(72) Inventor: **Max Chin Li**, Laguna Beach, CA (US)
(73) Assignee: **SKYFIDELITY, INC.**, Newport Beach, CA (US)
(**) Term: **15 Years**

(21) Appl. No.: **29/584,183**

(22) Filed: **Nov. 11, 2016**

(51) **LOC (11) Cl.** **14-03**

(52) **U.S. Cl.**
USPC **D14/240**

(58) **Field of Classification Search**

USPC D14/125, 129, 130, 137, 140, 142, 155, D14/168, 172, 188, 195, 203.1, 203.6, D14/203.8, 204, 209, 209.1, 216, 230, D14/231, 233, 235, 236, 237, 240, 242, D14/299, 300, 302, 348, 351, 356, 357, D14/358, 361, 362, 365, 367, 370, 388, D14/432, 434, 496; D13/103, 107, 108, D13/123, 152, 158, 162, 162.1, 163, 168, D13/184, 199; D10/104.1, 106.2, 106.3, D10/106.5, 106.6, 106.9, 106.91, 116.1, D10/61, 64, 75
CPC ... H04W 88/08; H04W 88/085; H04W 88/00; H04W 88/005; H04W 88/02; H04W 88/12; H04W 88/14; H04W 88/16; H04W 88/18; H04W 4/00; H01Q 1/02; H01Q 1/2291; H01Q 1/246; H04B 1/38
See application file for complete search history.

(56) **References Cited**

U.S. PATENT DOCUMENTS

D631,010 S * 1/2011 Smith D13/108
D652,834 S * 1/2012 Jones D14/434
D655,293 S * 3/2012 Gioscia D14/434

(Continued)

OTHER PUBLICATIONS

SkyFidelity, 4G/LTE Ultimate Wireless Gateway Hub, as posted at ih.advfn.com, posted on Aug. 2, 2017, [site visited Dec. 21, 2017]. Available from the Internet, <URL: https://ih.advfn.com/p.php?pid=nmona&article=75365617>.*

Primary Examiner — Jeffrey D Asch
Assistant Examiner — Rebekah A Caruso

(74) *Attorney, Agent, or Firm* — One LLP; Joseph K. Liu

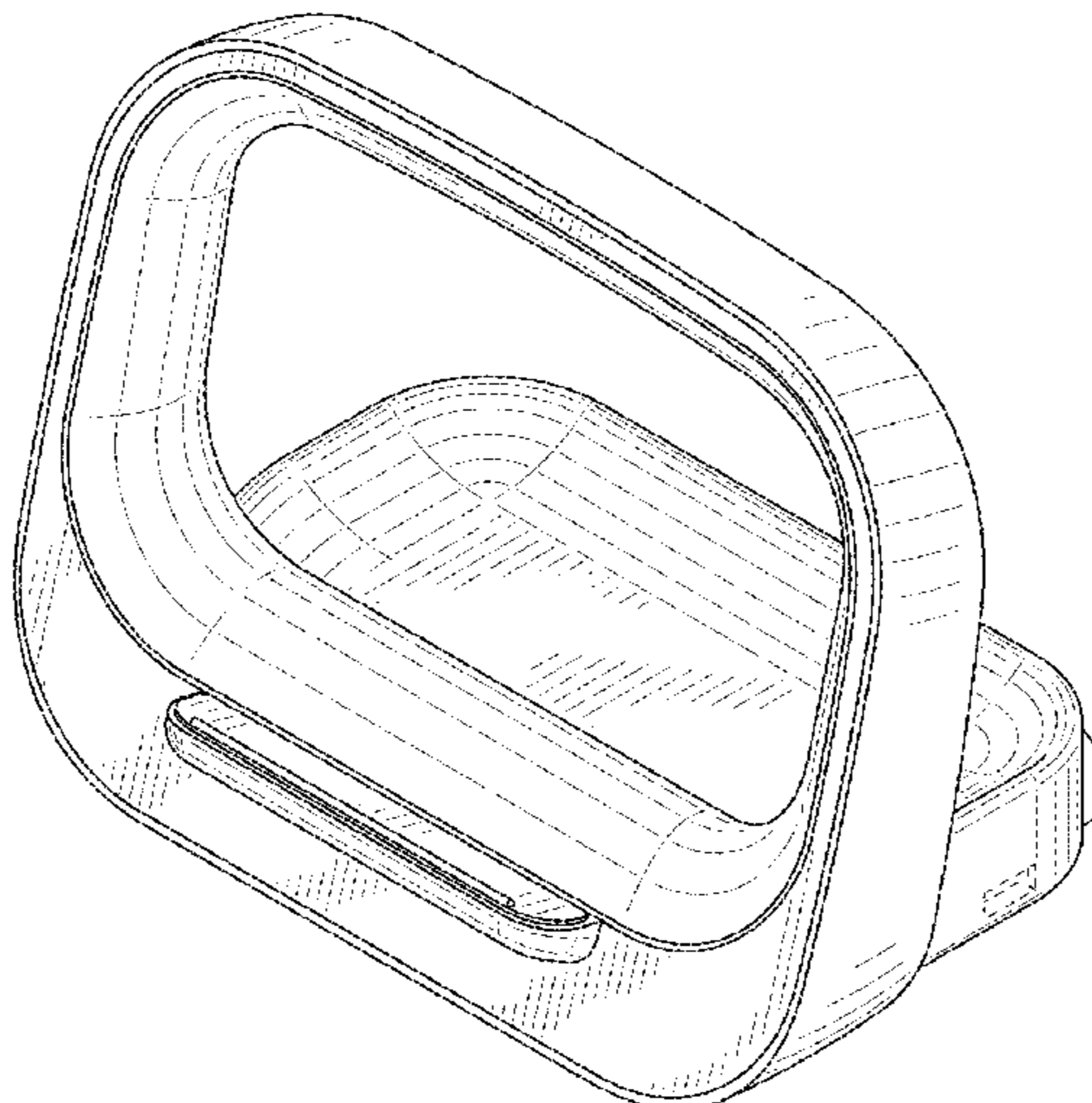
(57) **CLAIM**

I claim the ornamental design for a wireless home gateway, as shown and described.

DESCRIPTION

FIG. 1 is a front, right side, perspective view of a wireless home gateway in accordance with the present design.
FIG. 2 is a rear, left side, perspective view of the wireless home gateway of FIG. 1.
FIG. 3 is a front view of the wireless home gateway of FIG. 1.
FIG. 4 is a rear view of the wireless home gateway of FIG. 1.
FIG. 5 is a left side view of the wireless home gateway of FIG. 1.
FIG. 6 is a right side view of the wireless home gateway of FIG. 1.
FIG. 7 is a top view of the wireless home gateway of FIG. 1; and,
FIG. 8 is a bottom view of the wireless home gateway of FIG. 1.
The broken lines shown in the figures that are immediately adjacent to the shaded areas and define unshaded regions represent the bounds of the claim. The broken lines within broken line boundaries are directed to environment. The broken lines form no part of the claimed design.

1 Claim, 4 Drawing Sheets



(56)

References Cited

U.S. PATENT DOCUMENTS

D661,266 S *	6/2012	Laube	D14/126
D682,829 S *	5/2013	Wu	D14/240
D685,323 S *	7/2013	Szymanski	D13/108
D693,314 S *	11/2013	McKeage	D13/162
D734,717 S *	7/2015	Dvorak	D13/107
D772,812 S *	11/2016	Choe	D13/108
D782,411 S *	3/2017	Mischke	D13/108
D784,270 S *	4/2017	Bhattacharya	D13/162
D799,494 S *	10/2017	Lee	D14/447

* cited by examiner

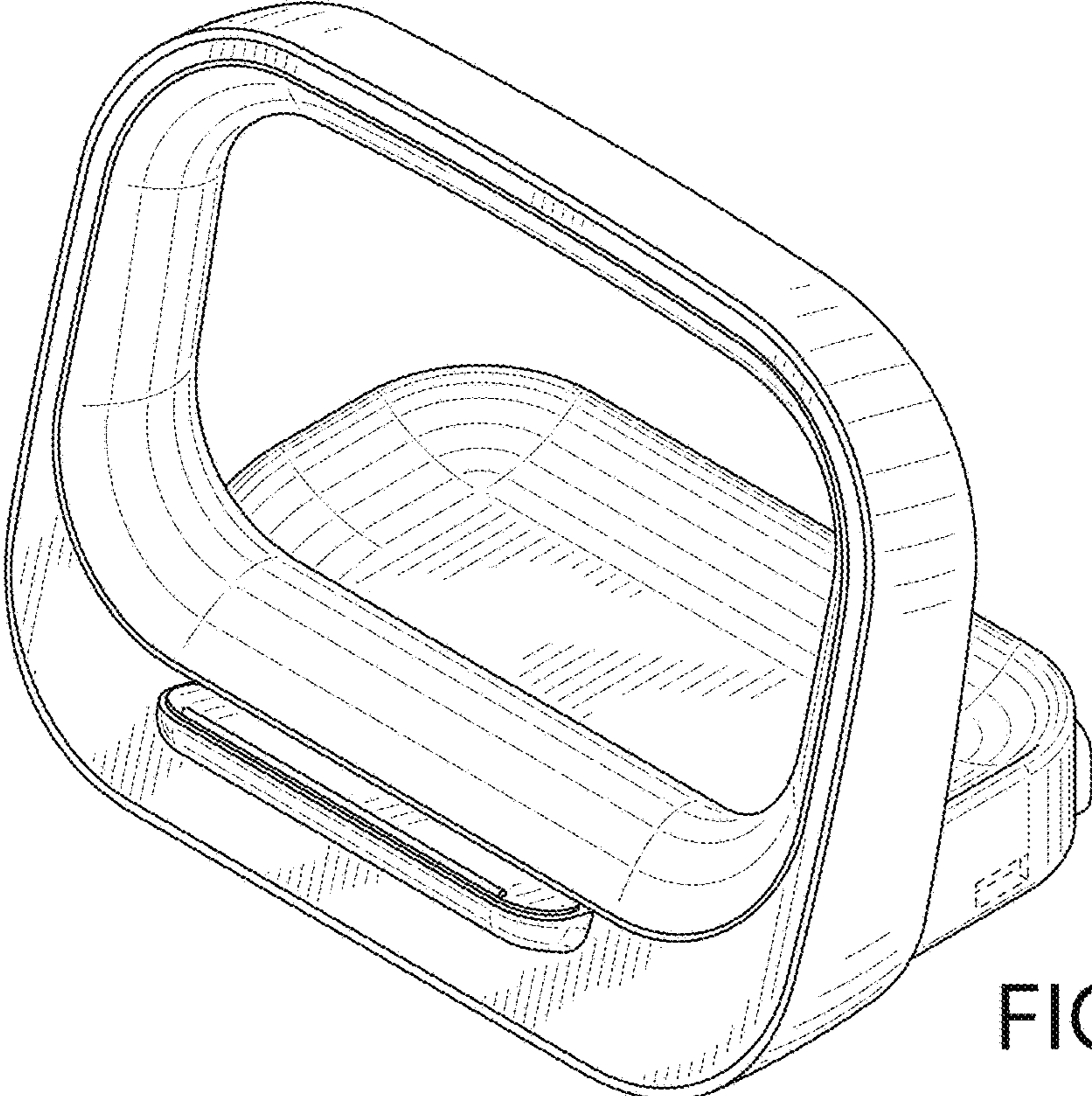


FIG. 1

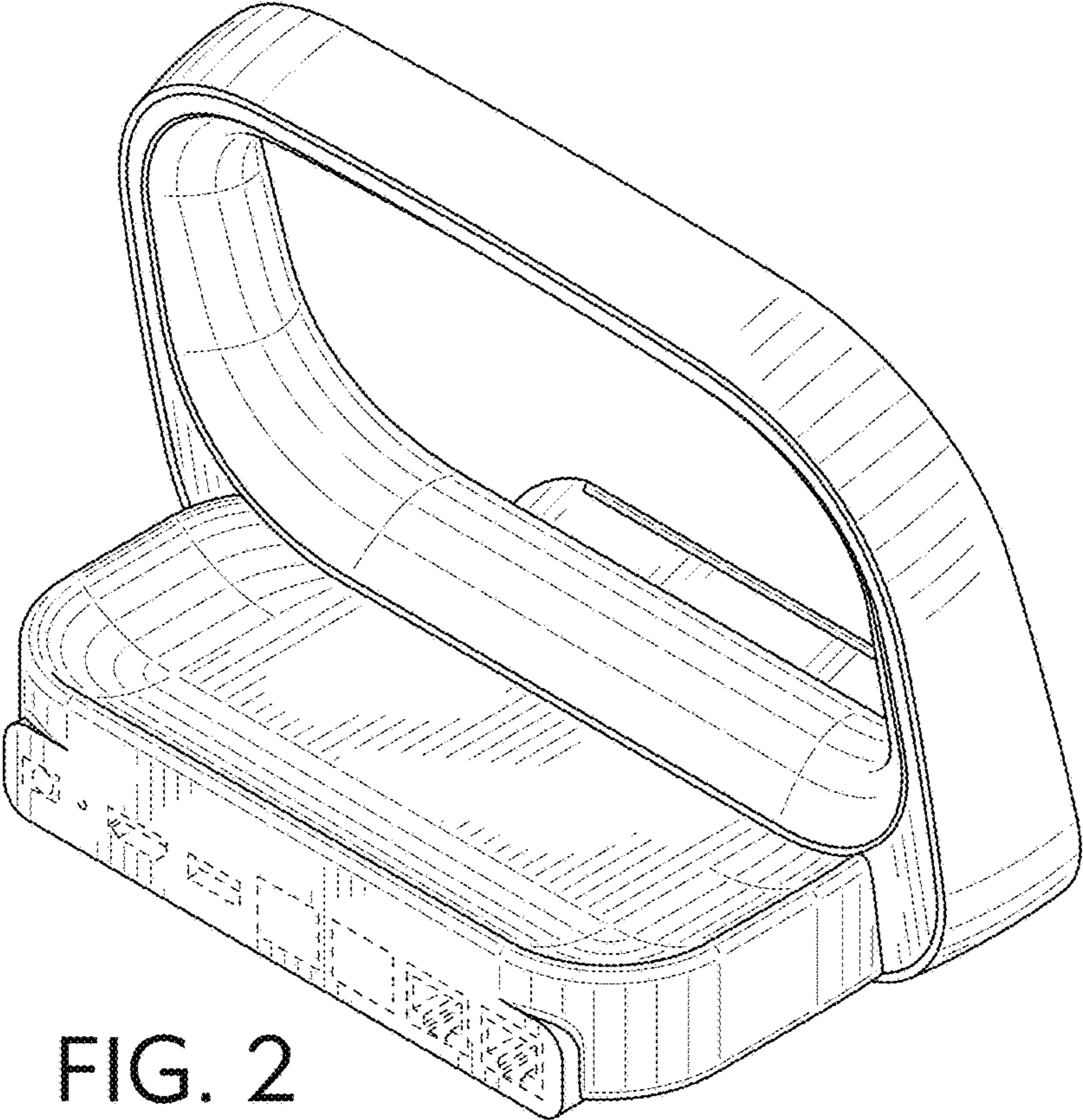


FIG. 2

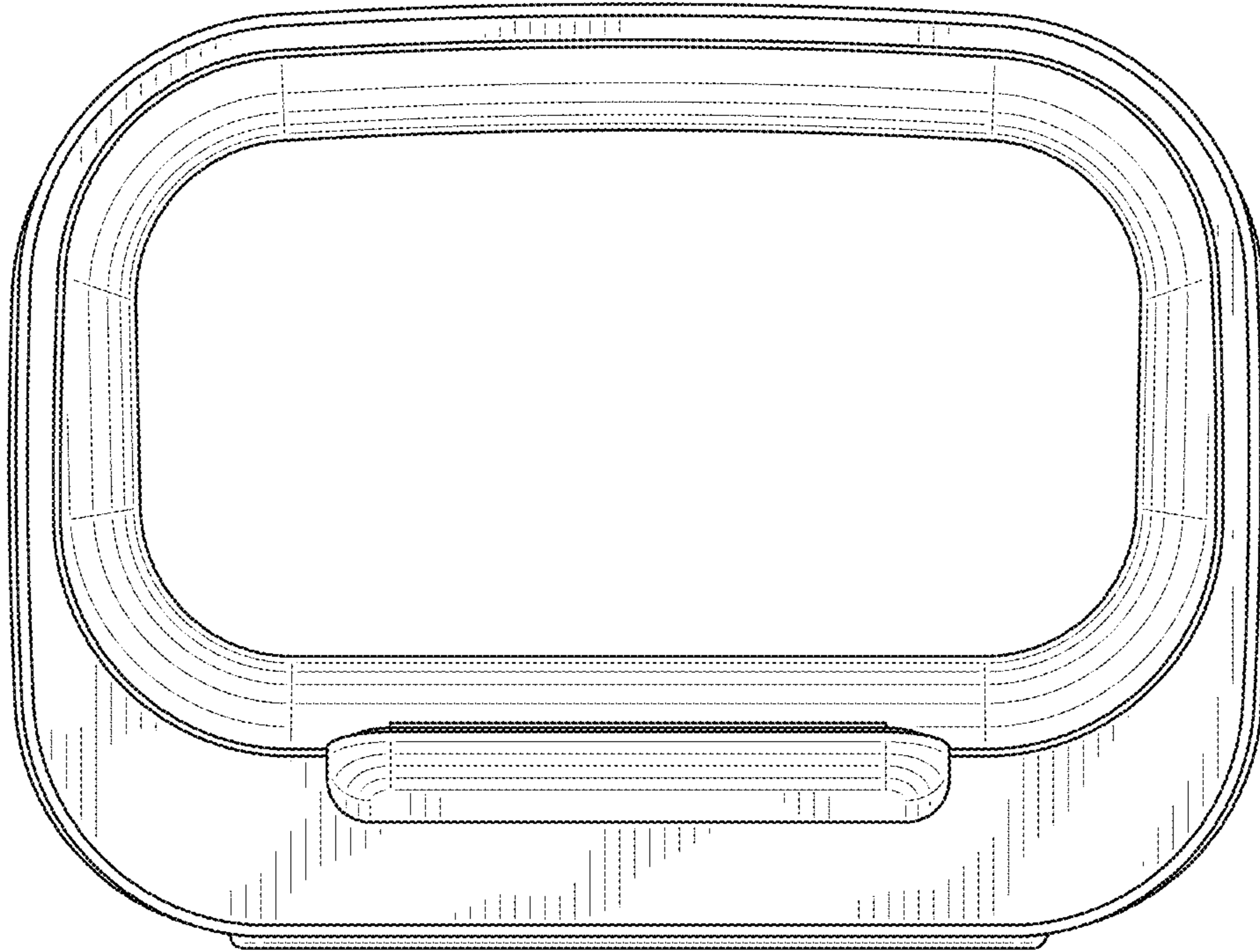


FIG. 3

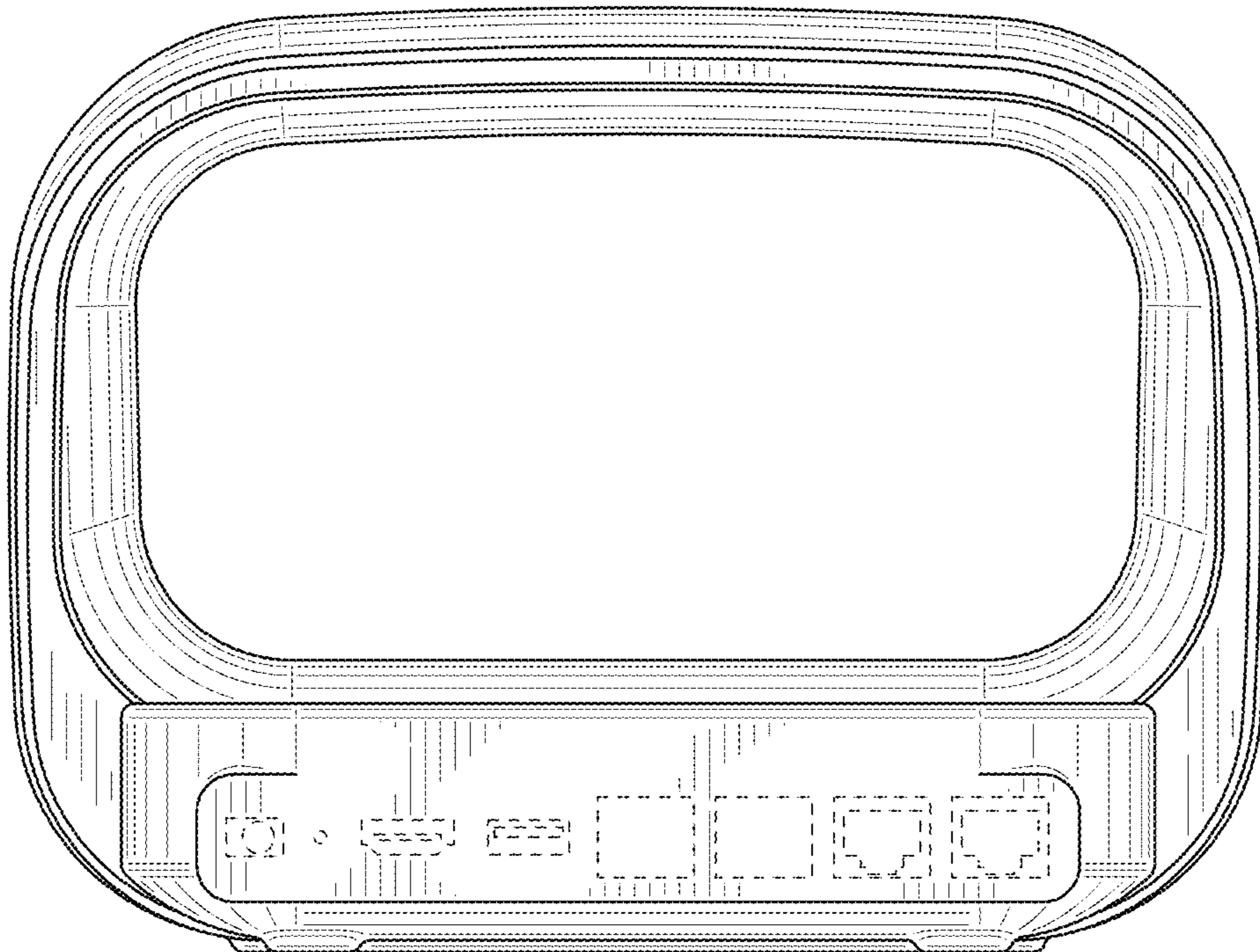


FIG. 4

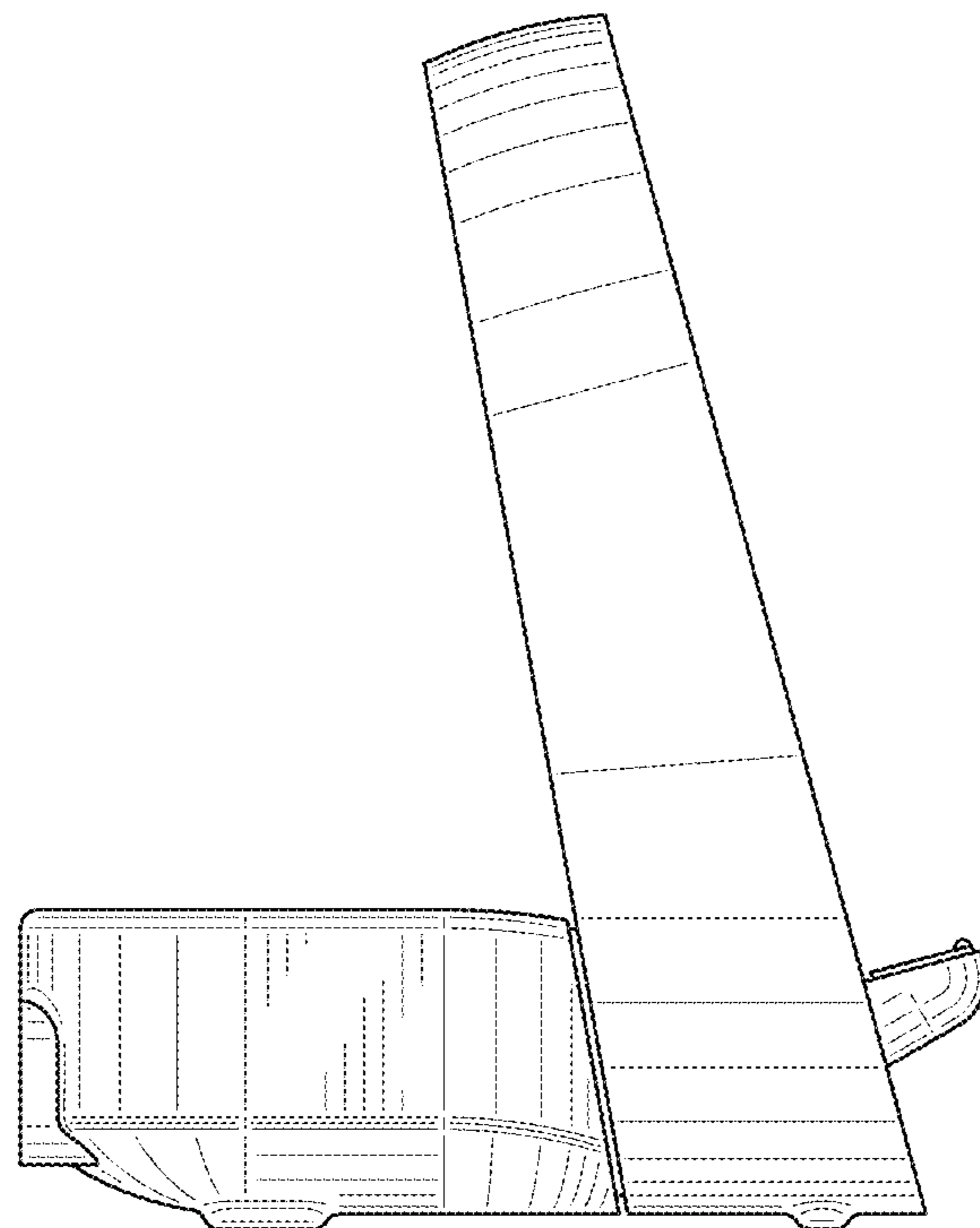


FIG. 5

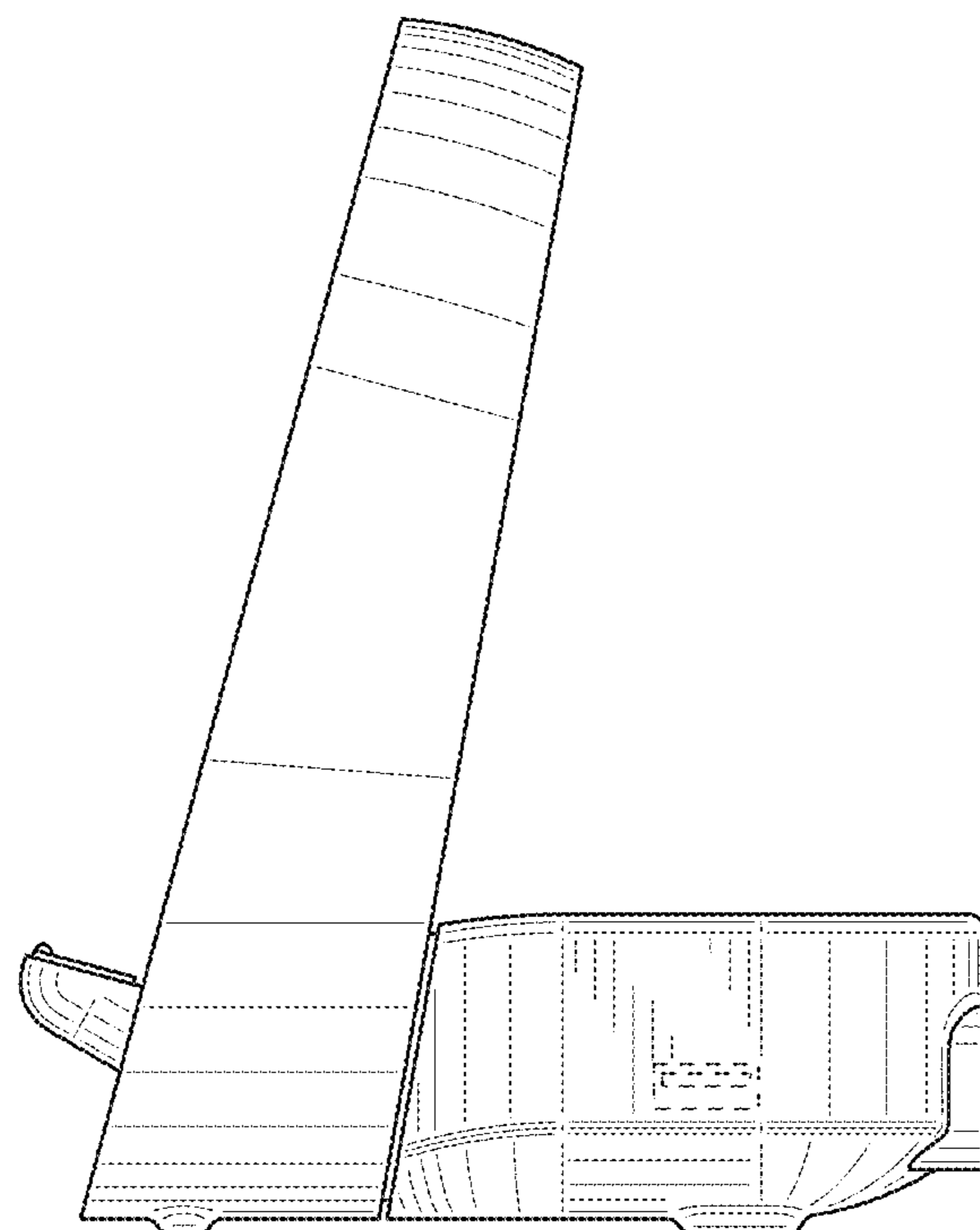


FIG. 6

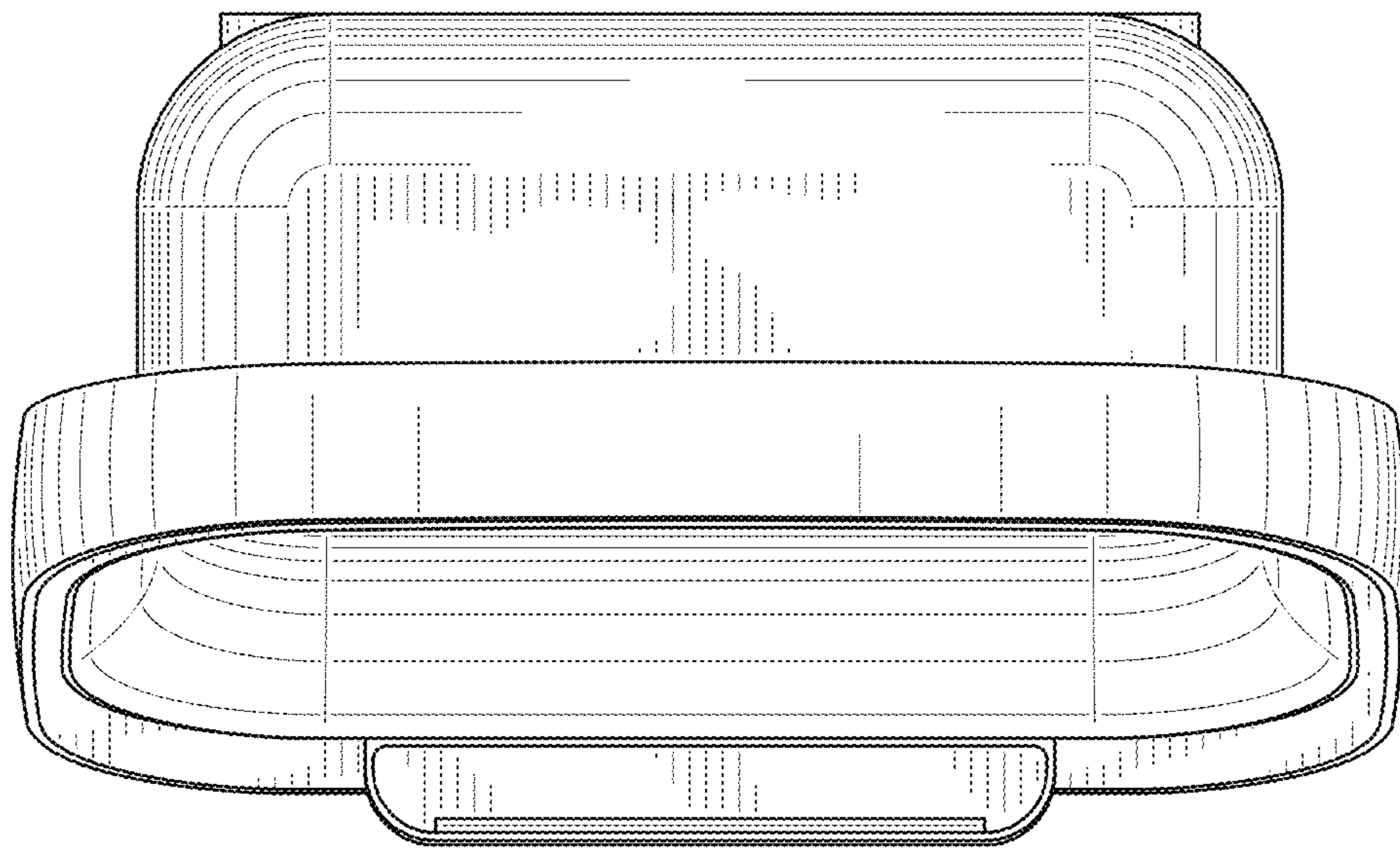


FIG. 7

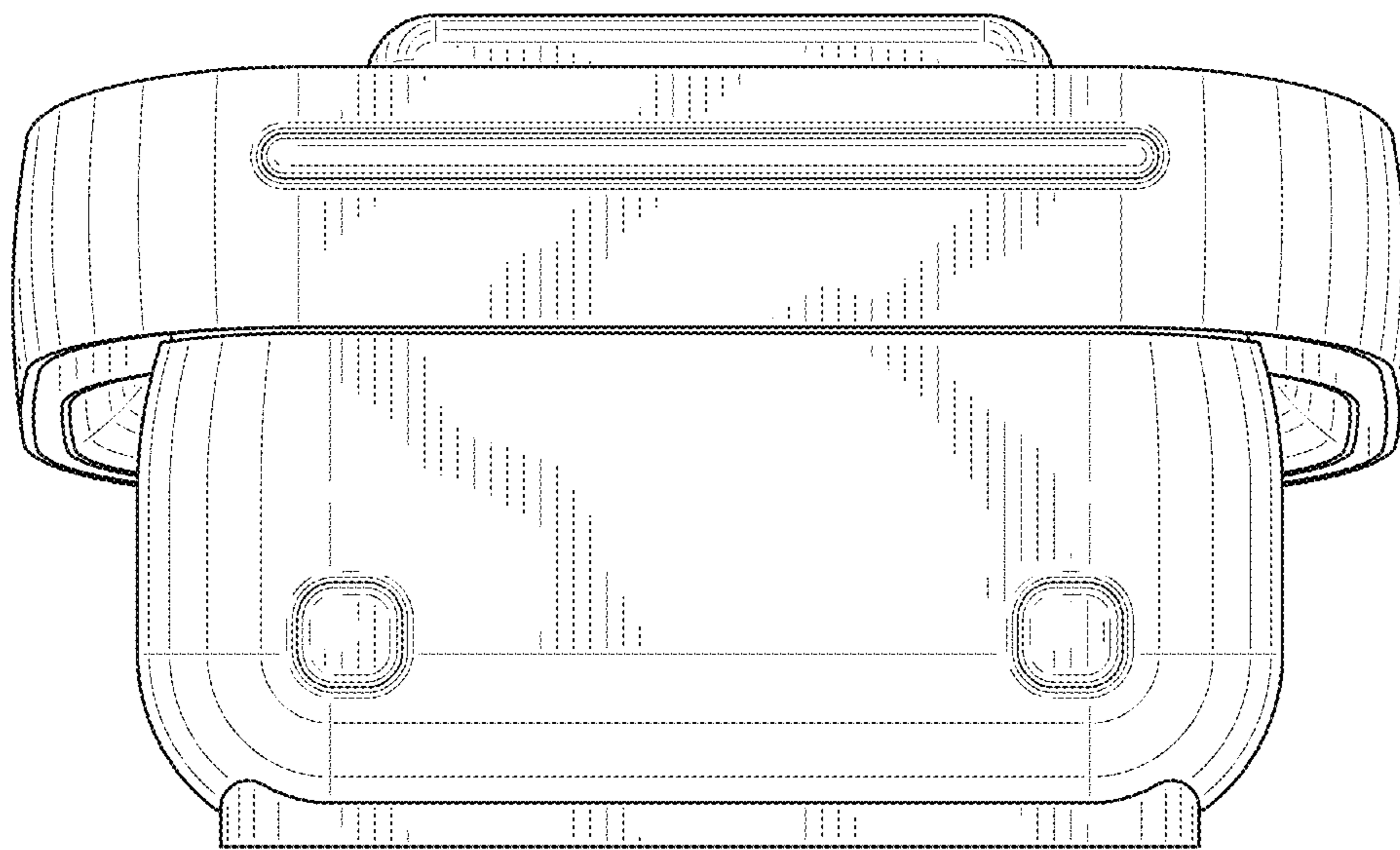


FIG. 8