

US00D816646S

(12) **United States Design Patent** (10) **Patent No.:** **US D816,646 S**  
**Pei** (45) **Date of Patent:** **\*\* May 1, 2018**

(54) **SUPPORT FRAME OF PANEL TV SET**

8,100,372 B2 \* 1/2012 Vlies ..... F16M 11/10  
248/220.1  
D747,724 S \* 1/2016 Kulkarni ..... D14/452

(71) Applicant: **Xubo Pei**, Shenzhen (CN)

(72) Inventor: **Xubo Pei**, Shenzhen (CN)

(\*\*) Term: **15 Years**

(21) Appl. No.: **29/591,237**

(22) Filed: **Jan. 18, 2017**

(51) **LOC (11) Cl.** ..... **14-03**

(52) **U.S. Cl.**  
USPC ..... **D14/239**

(58) **Field of Classification Search**  
USPC ..... D14/125-134, 239, 371, 136, 374-377,  
D14/440, 450, 448, 336, 342, 159;  
312/7.2; 348/836, 838, 180, 184, 325,  
348/739; 248/917-924, 465; 345/104,  
345/133, 156, 168, 87, 173; D21/329,  
D21/515, 577, 622, 333, 433, 448, 452,  
D21/450, 331, 505; D10/15, 26;  
446/484, 175, 356; D6/477, 479, 300;  
D24/185; D34/14  
CPC ... G06F 1/1601; G06F 1/1643; H05K 5/0004;  
H05K 5/0017; H05K 5/02; H05K 5/0217  
See application file for complete search history.

\* cited by examiner

*Primary Examiner* — Randall H Gholson  
(74) *Attorney, Agent, or Firm* — Novoclaims Patent  
Services LLC; Mei Lin Wong

(57) **CLAIM**

The ornamental design of a support frame of panel TV set,  
as shown and described.

**DESCRIPTION**

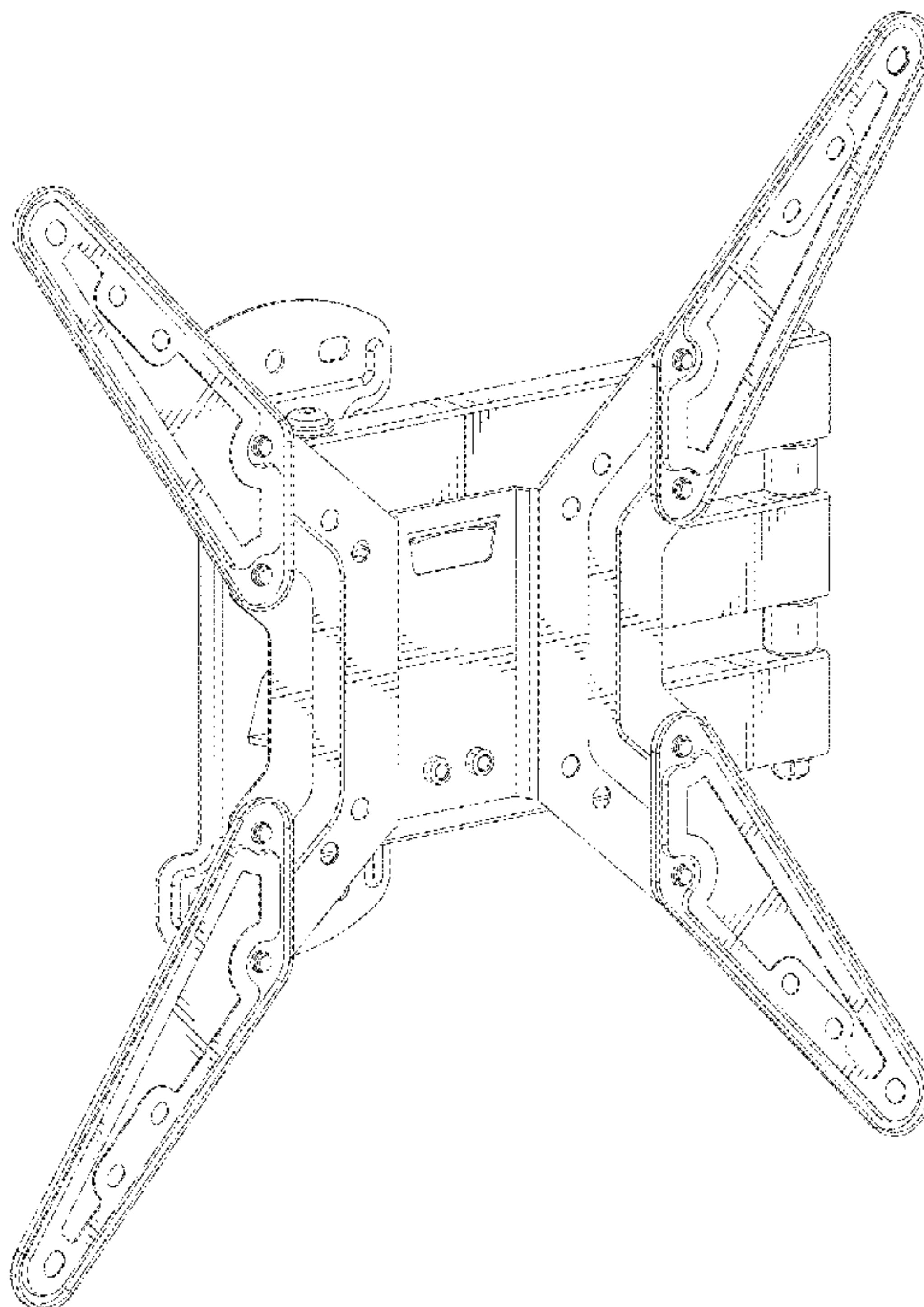
FIG. 1 is a perspective view of a support frame of panel TV  
set in accordance with the present invention.  
FIG. 2 is another perspective view thereof showing from a  
different view angle.  
FIG. 3 is a front view thereof.  
FIG. 4 is a rear view thereof.  
FIG. 5 is a left end view thereof.  
FIG. 6 is a right end view thereof.  
FIG. 7 is a top view thereof.  
FIG. 8 is a bottom view thereof.  
FIG. 9 is another perspective view thereof showing an in use  
position; and,  
FIG. 10 is another perspective view thereof showing another  
in use position.

(56) **References Cited**

U.S. PATENT DOCUMENTS

D538,633 S \* 3/2007 Ly Hau ..... D8/363  
D627,787 S \* 11/2010 Grey ..... D14/239

**1 Claim, 10 Drawing Sheets**



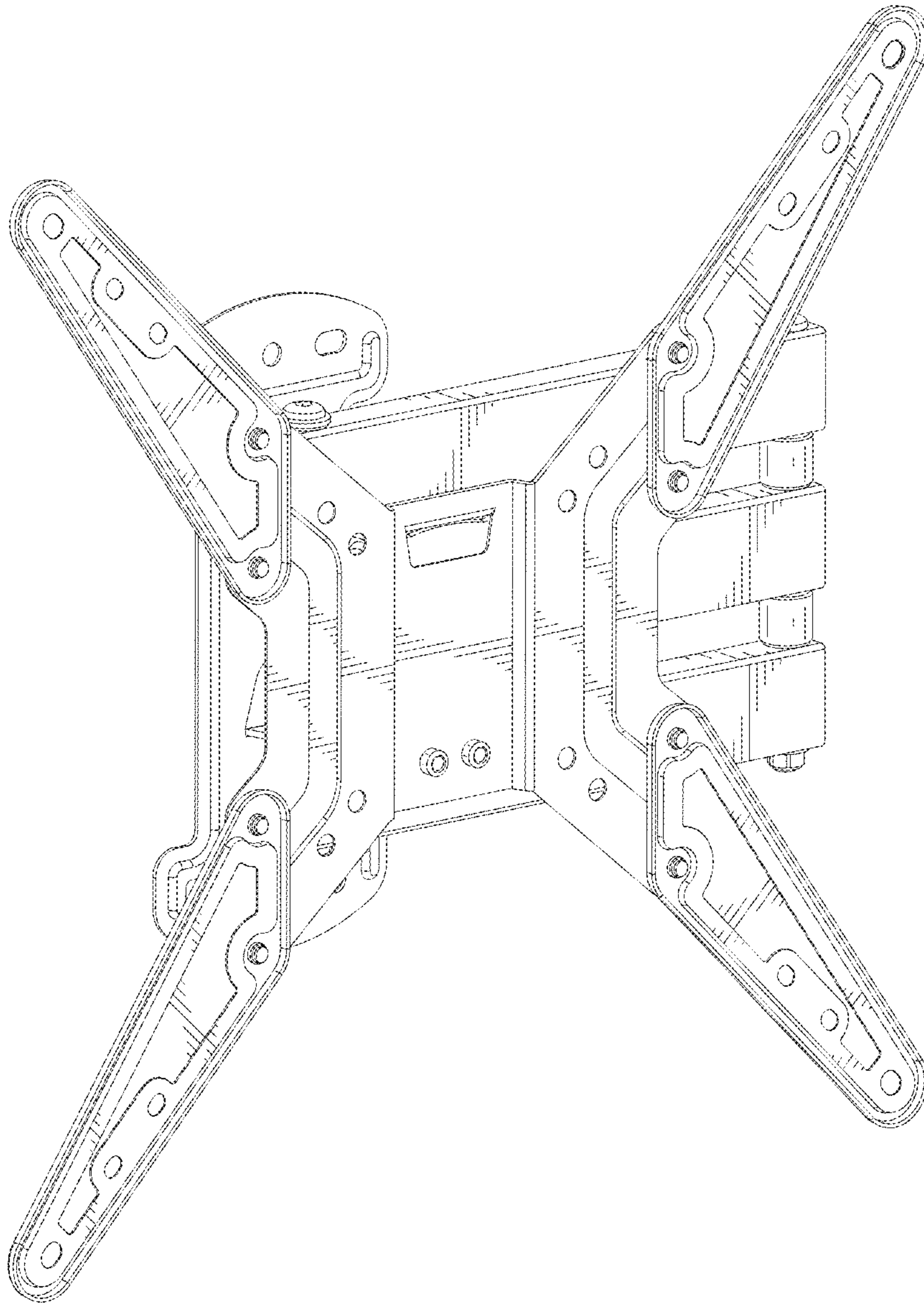


FIG.1

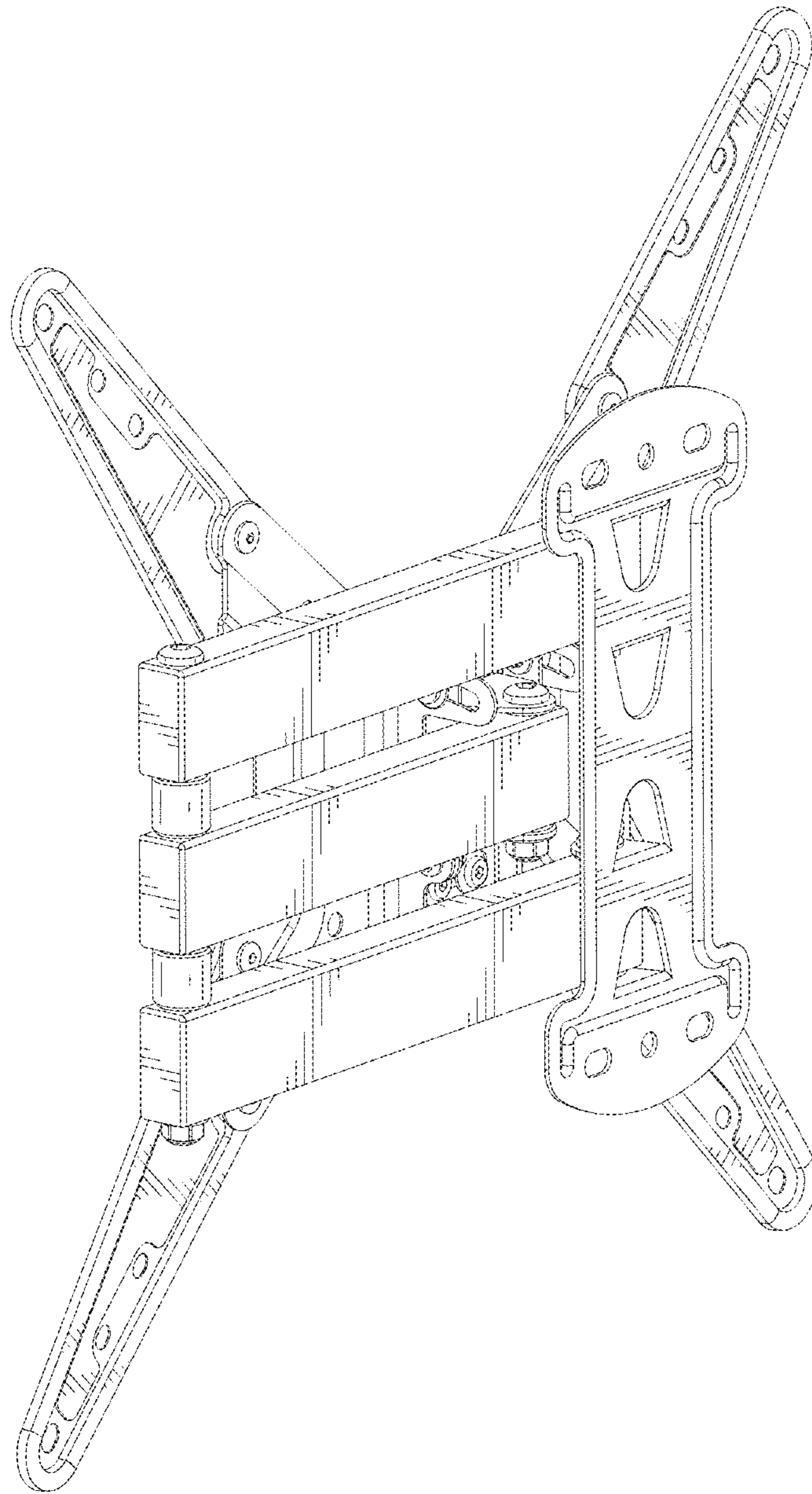


FIG.2



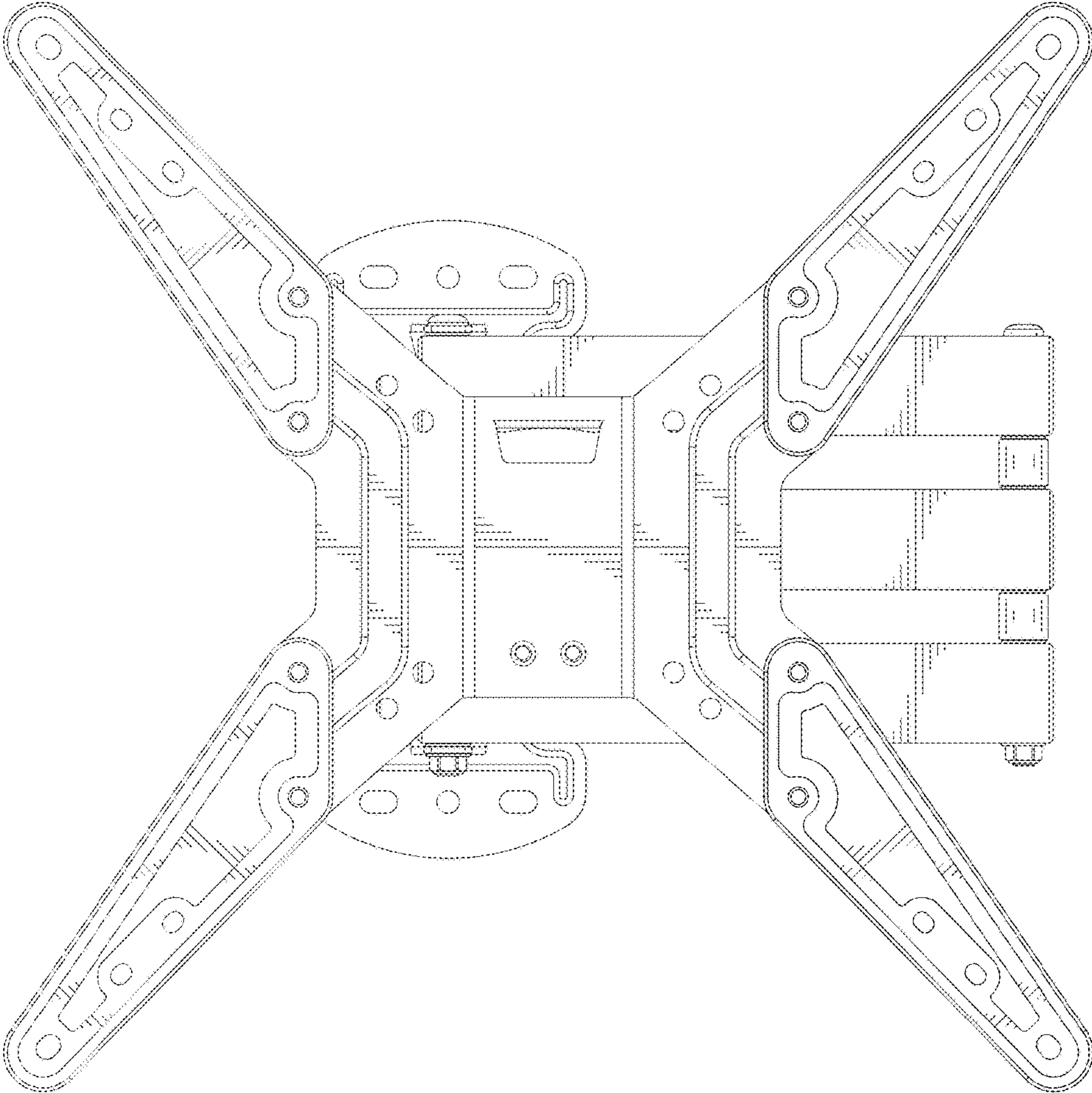


FIG.3

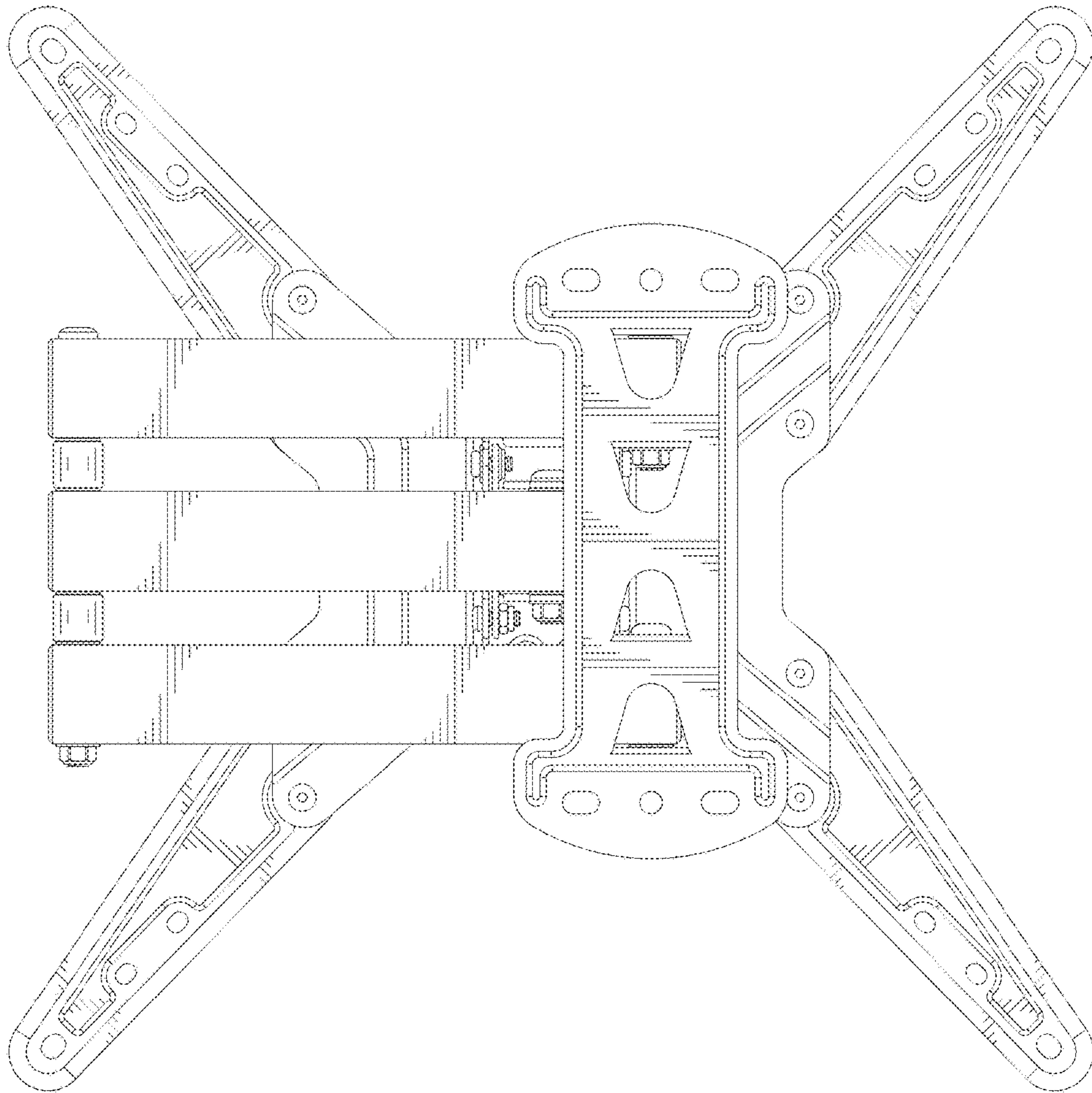


FIG.4

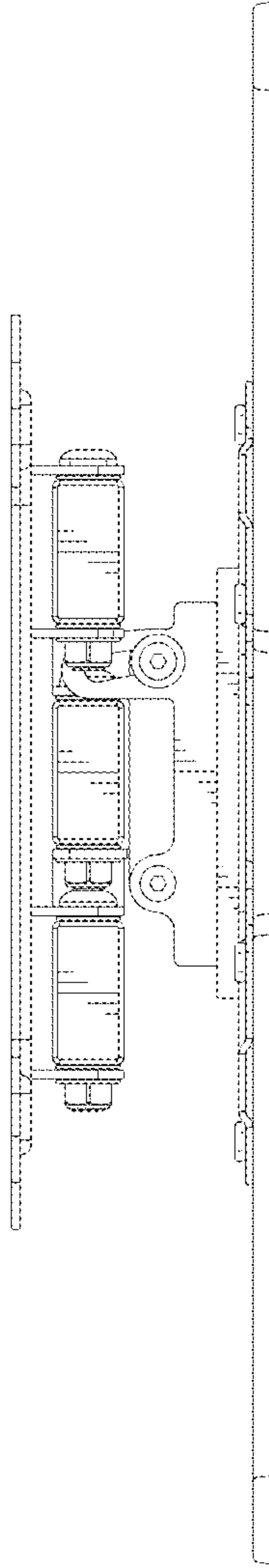


FIG.5

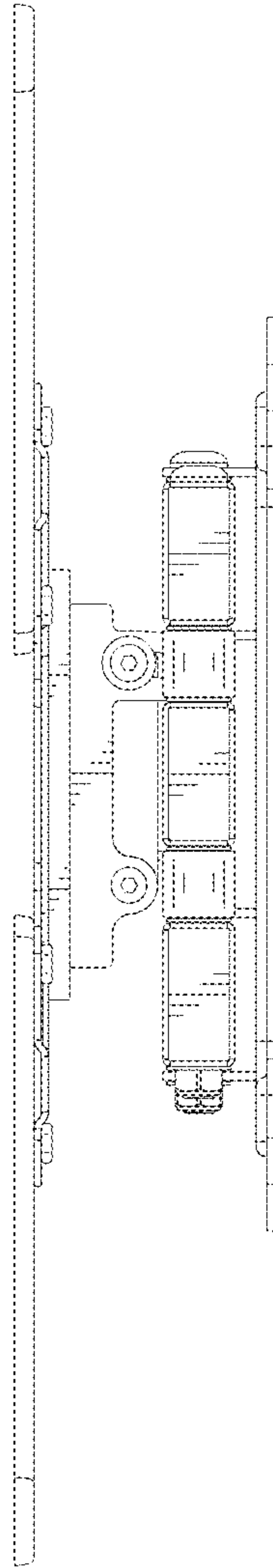


FIG.6

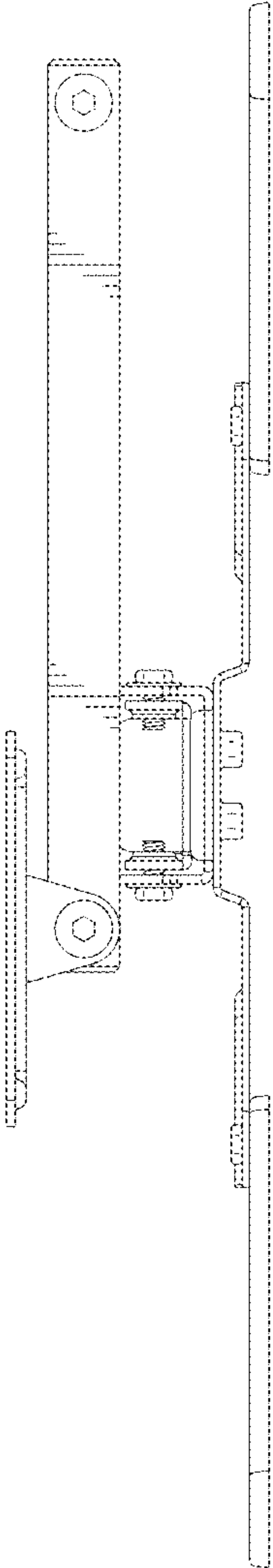


FIG.7



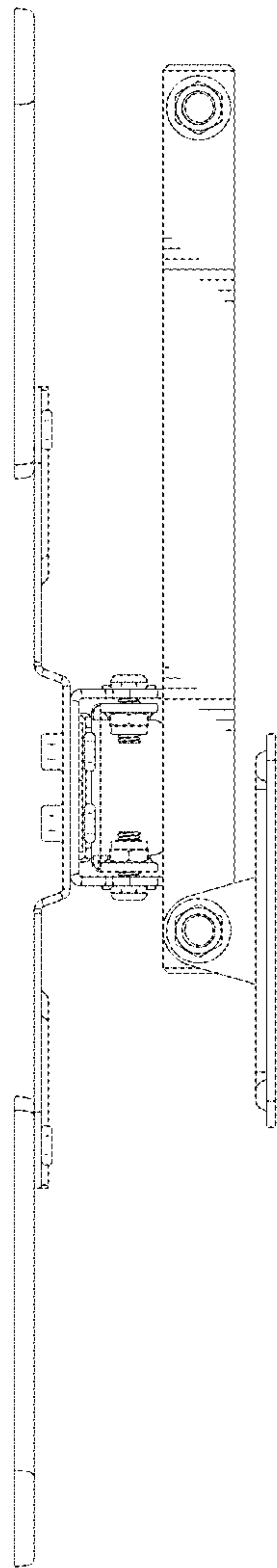


FIG.8

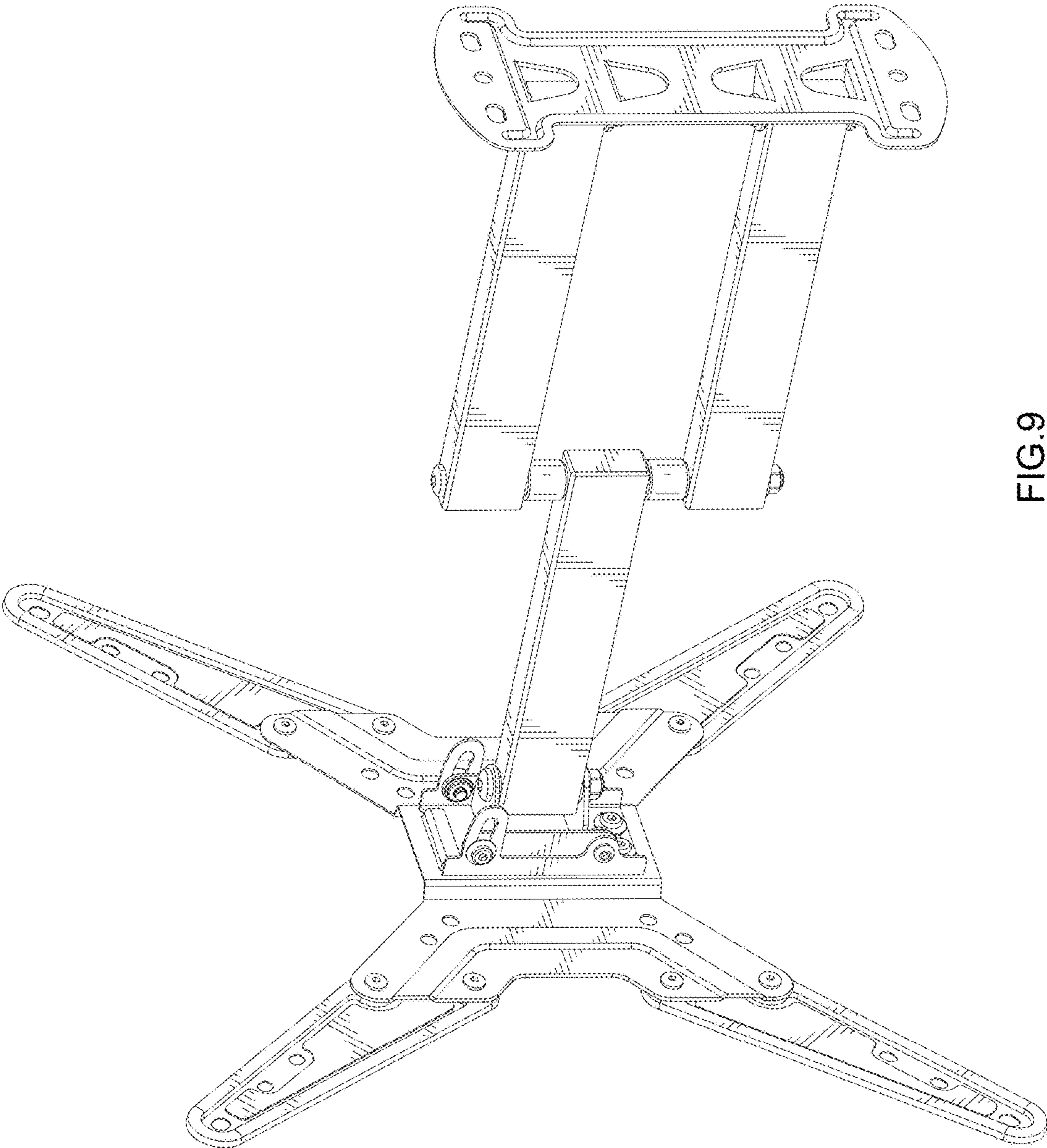


FIG.9

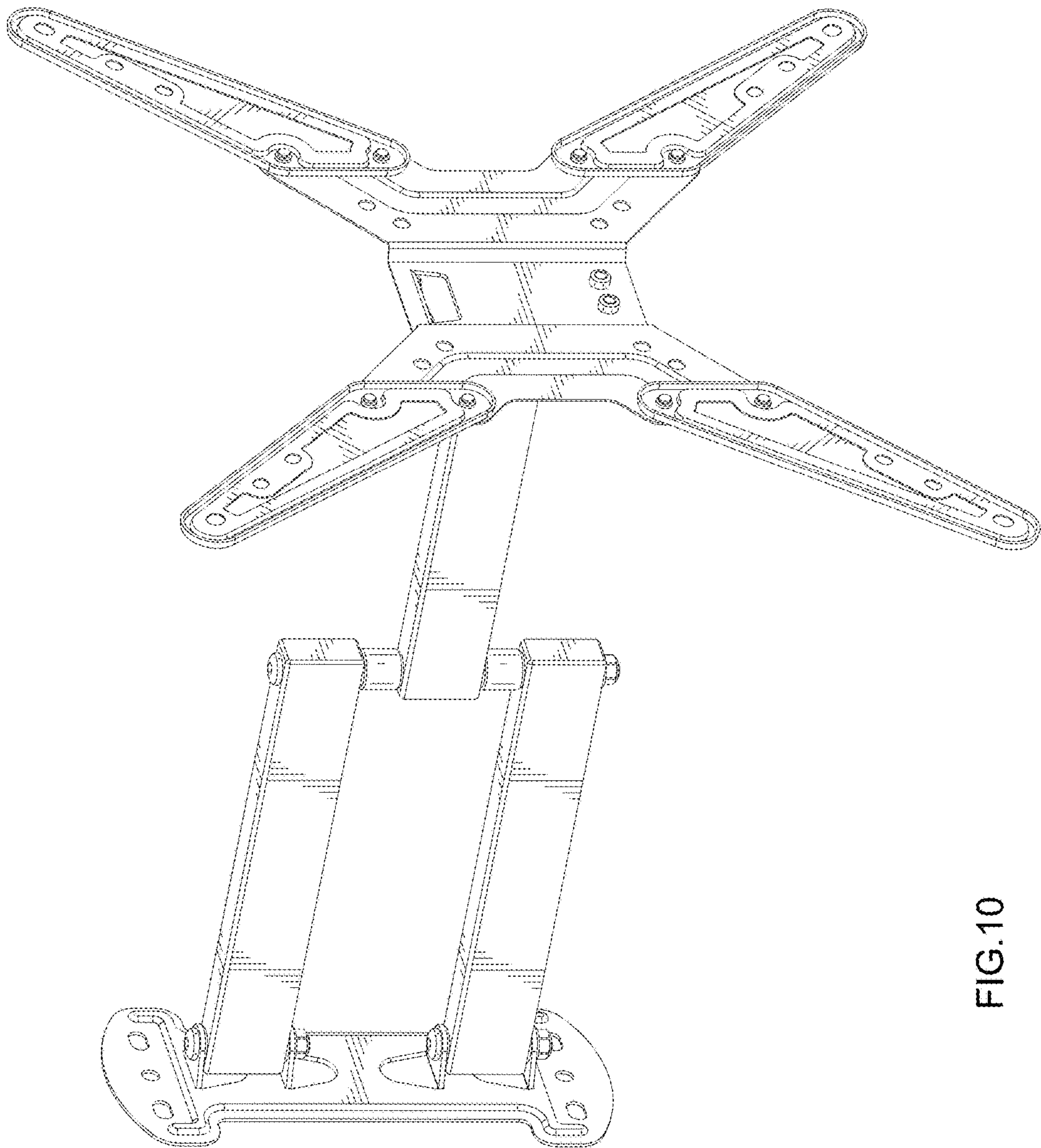


FIG.10