



US00D816645S

(12) **United States Design Patent**
Sanford et al.

(10) **Patent No.:** **US D816,645 S**
(45) **Date of Patent:** **** May 1, 2018**

(54) **SHROUDED MICROWAVE ANTENNA REFLECTOR**

(71) Applicant: **UBIQUITI NETWORKS, INC.**, San Jose, CA (US)

(72) Inventors: **John R. Sanford**, San Jose, CA (US);
Jude Lee, San Jose, CA (US)

(73) Assignee: **Ubiquiti Networks, Inc.**, New York, NY (US)

(**) Term: **15 Years**

(21) Appl. No.: **35/001,069**

(22) Filed: **Aug. 24, 2015**

(80) **Hague Agreement Data**

Int. Filing Date: **Aug. 24, 2015**
Int. Reg. No.: **DM/091615**
Int. Reg. Date: **Aug. 24, 2015**
Int. Reg. Pub. Date: **Jul. 29, 2016**

(51) **LOC (11) Cl.** **14-03**

(52) **U.S. Cl.**
USPC **D14/231**

(58) **Field of Classification Search**
USPC D14/230–238, 299, 358
CPC H01Q 7/00; H01Q 13/10; H01Q 9/285;
H01Q 19/30; H01Q 19/12; H01Q 1/38;
H04B 1/0475; H04B 1/034; H05K 11/00;
B60N 2/502; H04R 5/033
See application file for complete search history.

(56) **References Cited**

U.S. PATENT DOCUMENTS

D71,616 S * 12/1926 Plank D14/231
3,182,322 A * 5/1965 Nankervis H01Q 1/247
342/104
D291,573 S * 8/1987 Speckeen D14/231
D356,795 S * 3/1995 Schultheiss D14/231

D362,443 S * 9/1995 Inoue D14/231
D362,444 S * 9/1995 Schneeman D14/231
D368,476 S * 4/1996 DeLeon D12/400
6,469,678 B1 * 10/2002 Pullen H01Q 1/1207
343/888
D744,985 S * 12/2015 Schulz D14/230
9,496,620 B2 * 11/2016 Schulz H01Q 15/16
2009/0243955 A1 * 10/2009 Legare H01Q 1/08
343/882
2011/0140983 A1 * 6/2011 Hills H01Q 1/42
343/872
2013/0099991 A1 * 4/2013 Wright H01Q 19/12
343/840
2014/0220903 A1 * 8/2014 Schulz H01Q 1/1257
455/67.7
2014/0225799 A1 * 8/2014 Strydesky H01Q 15/16
343/840
2015/0116184 A1 * 4/2015 Curran B29C 44/1271
343/872

(Continued)

Primary Examiner — Manpreet Matharu
Assistant Examiner — Holly E Thurman
(74) *Attorney, Agent, or Firm* — Shay Glenn LLP

(57) **CLAIM**

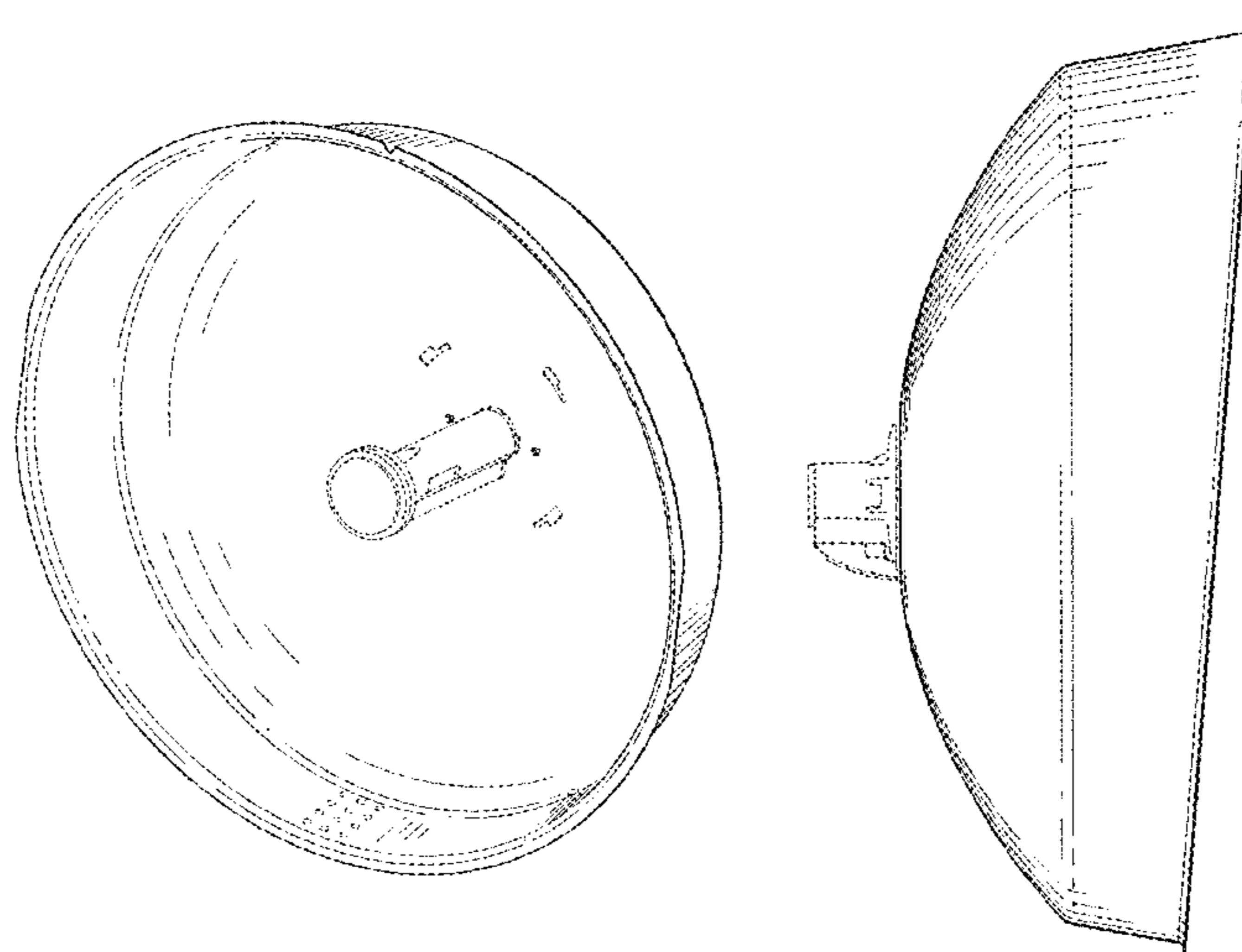
The ornamental design for a shrouded microwave antenna reflector, as shown and described.

DESCRIPTION

- 1. Shrouded microwave antenna reflector
- 1.1 : Front perspective
- 1.2 : Side perspective
- 1.3 : Front
- 1.4 : Back
- 1.5 : Top
- 1.6 : Bottom
- 1.7 : Left
- 1.8 : Right

The broken lines lines depict portions of the antenna reflector and environment, which form no part of the claimed design.

1 Claim, 8 Drawing Sheets



(56)

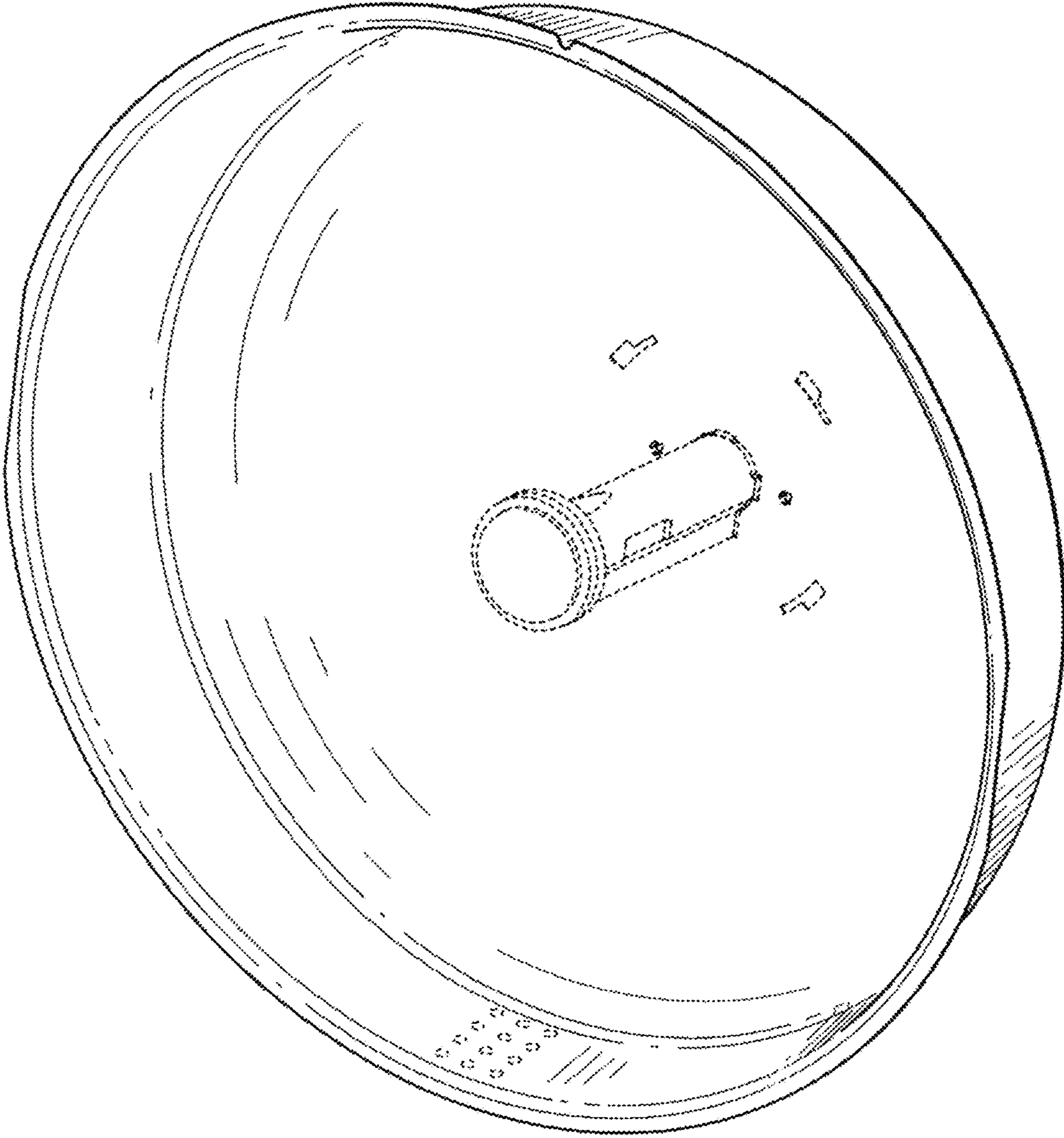
References Cited

U.S. PATENT DOCUMENTS

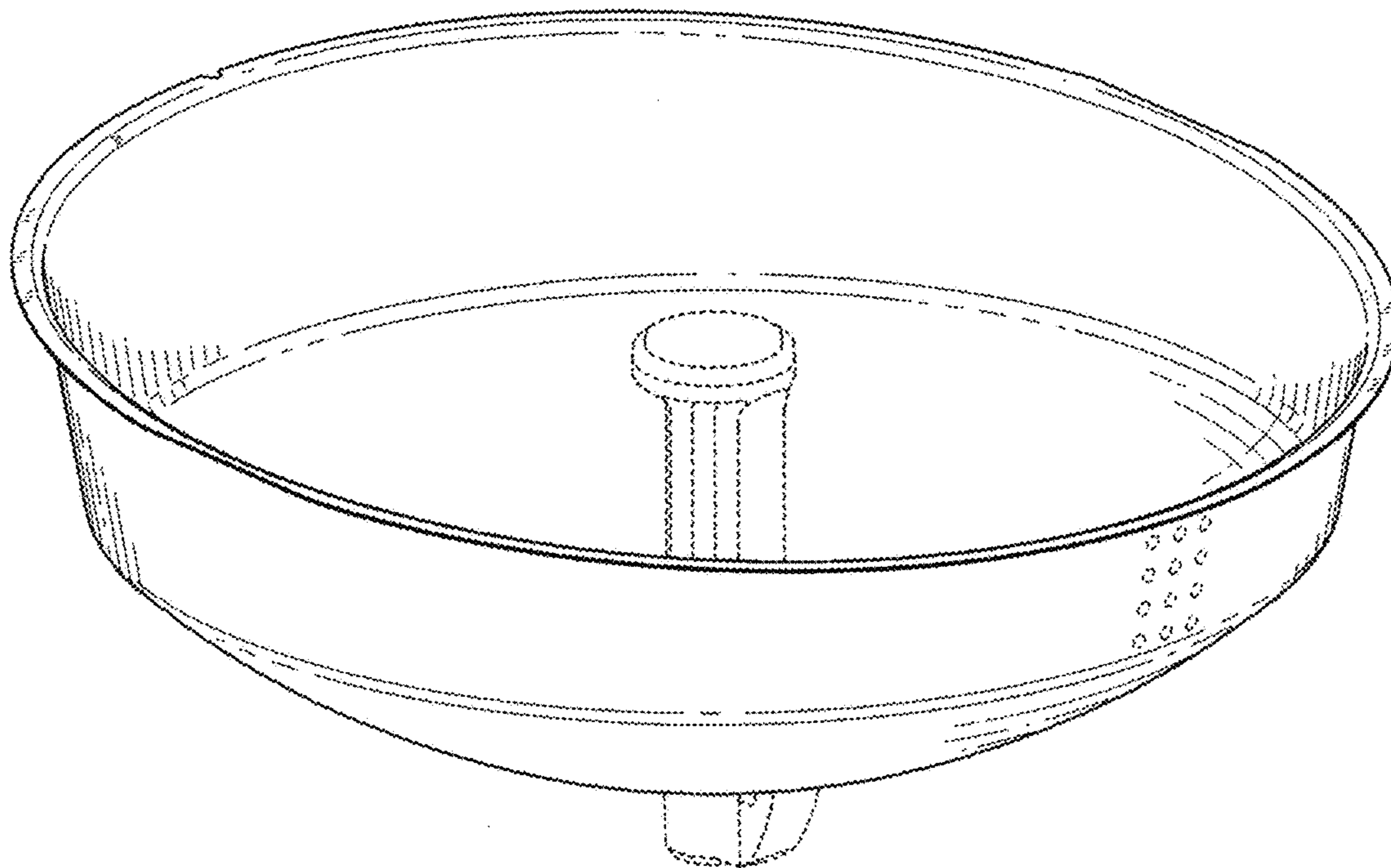
2015/0280329 A1* 10/2015 Sanford H01Q 1/06
343/786
2016/0104941 A1* 4/2016 Lee H01Q 1/1228
343/702

* cited by examiner

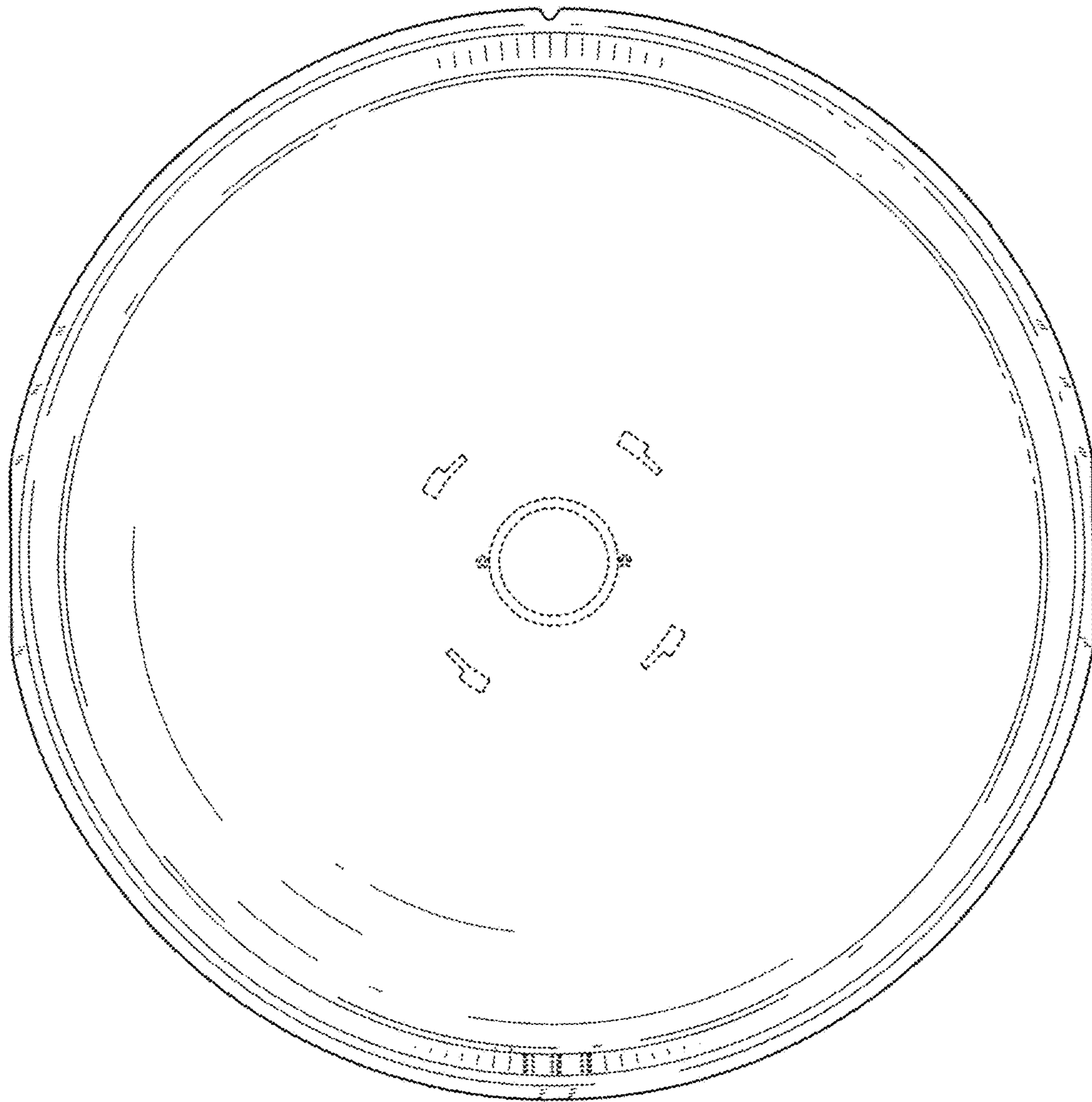
1.1



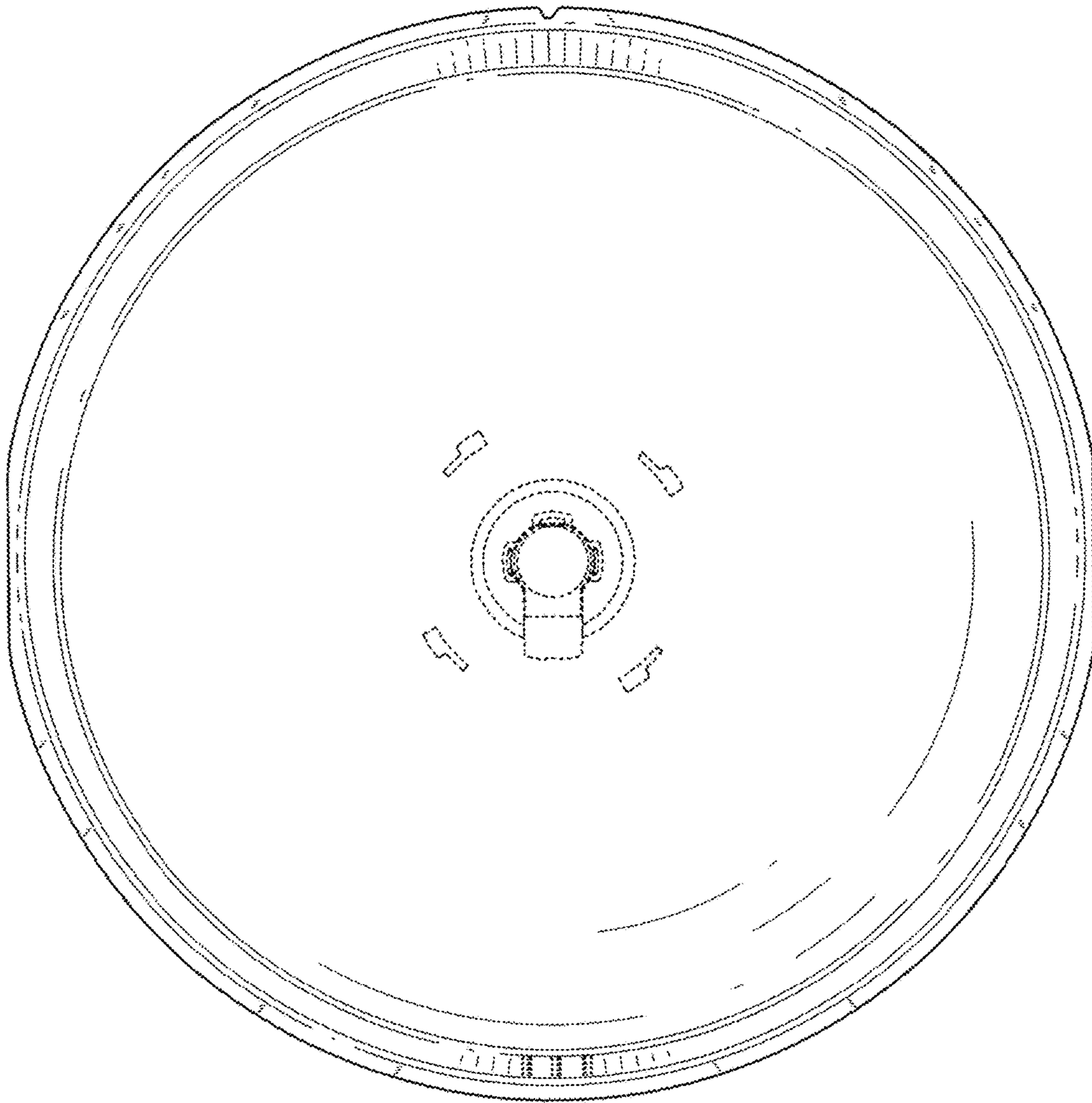
1.2



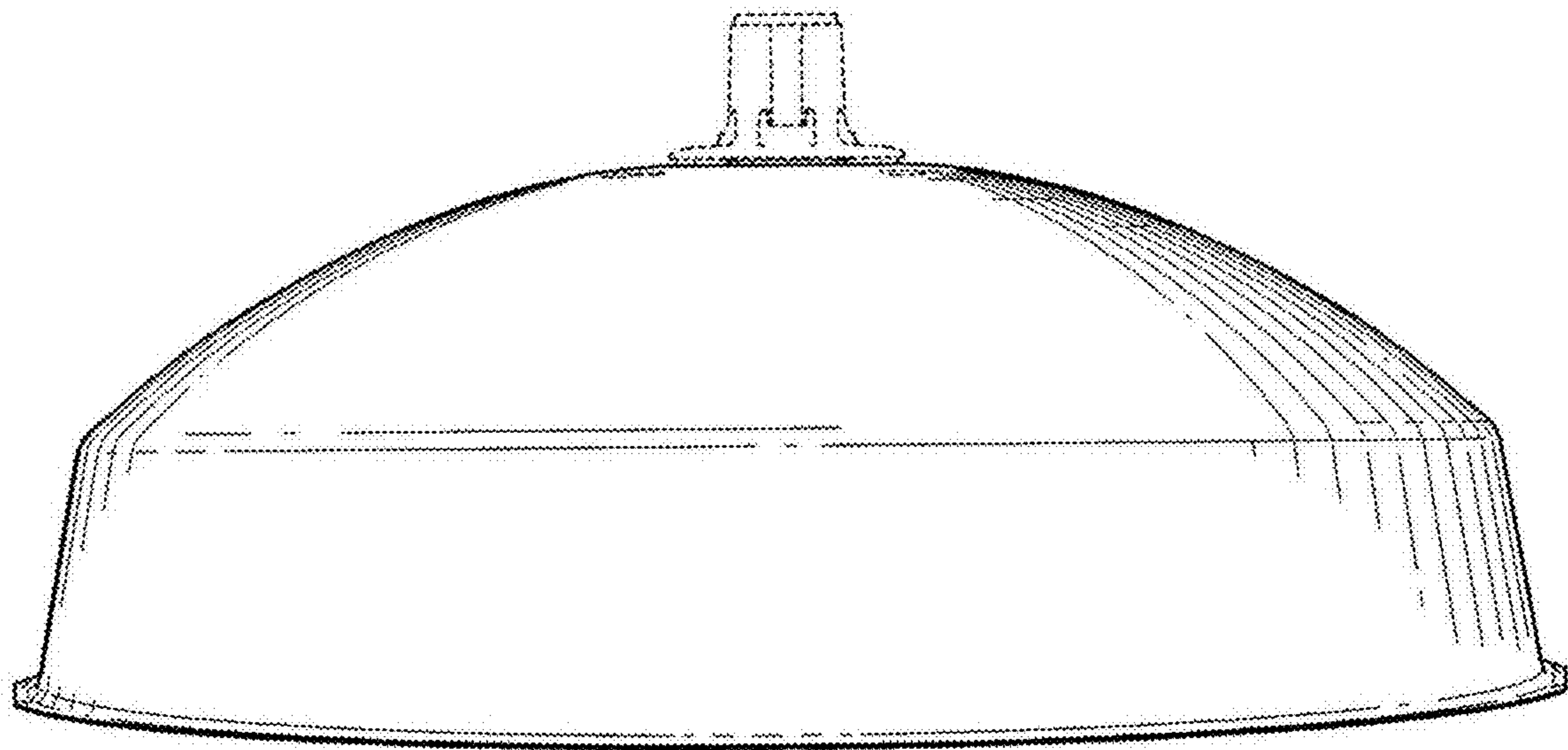
1.3



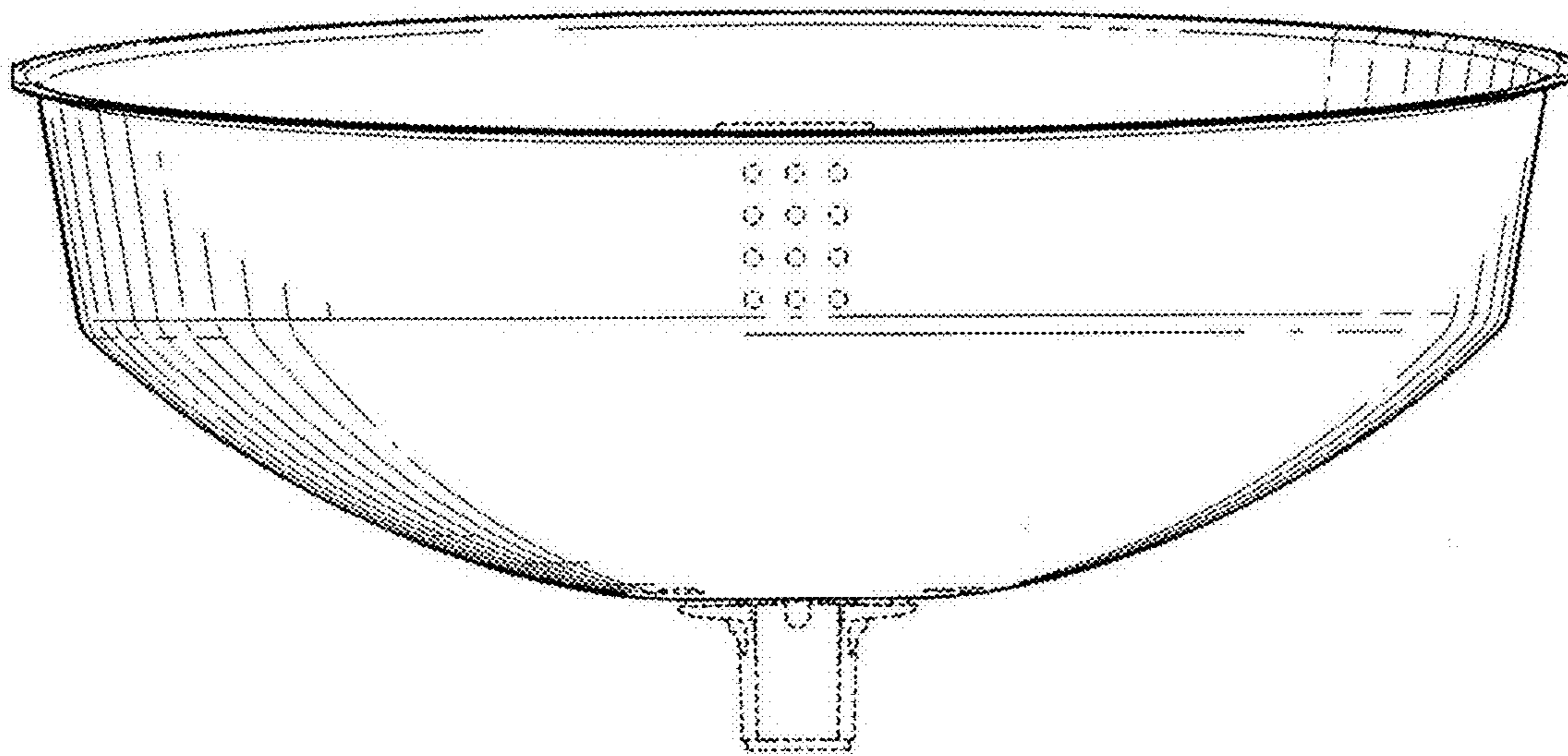
1.4



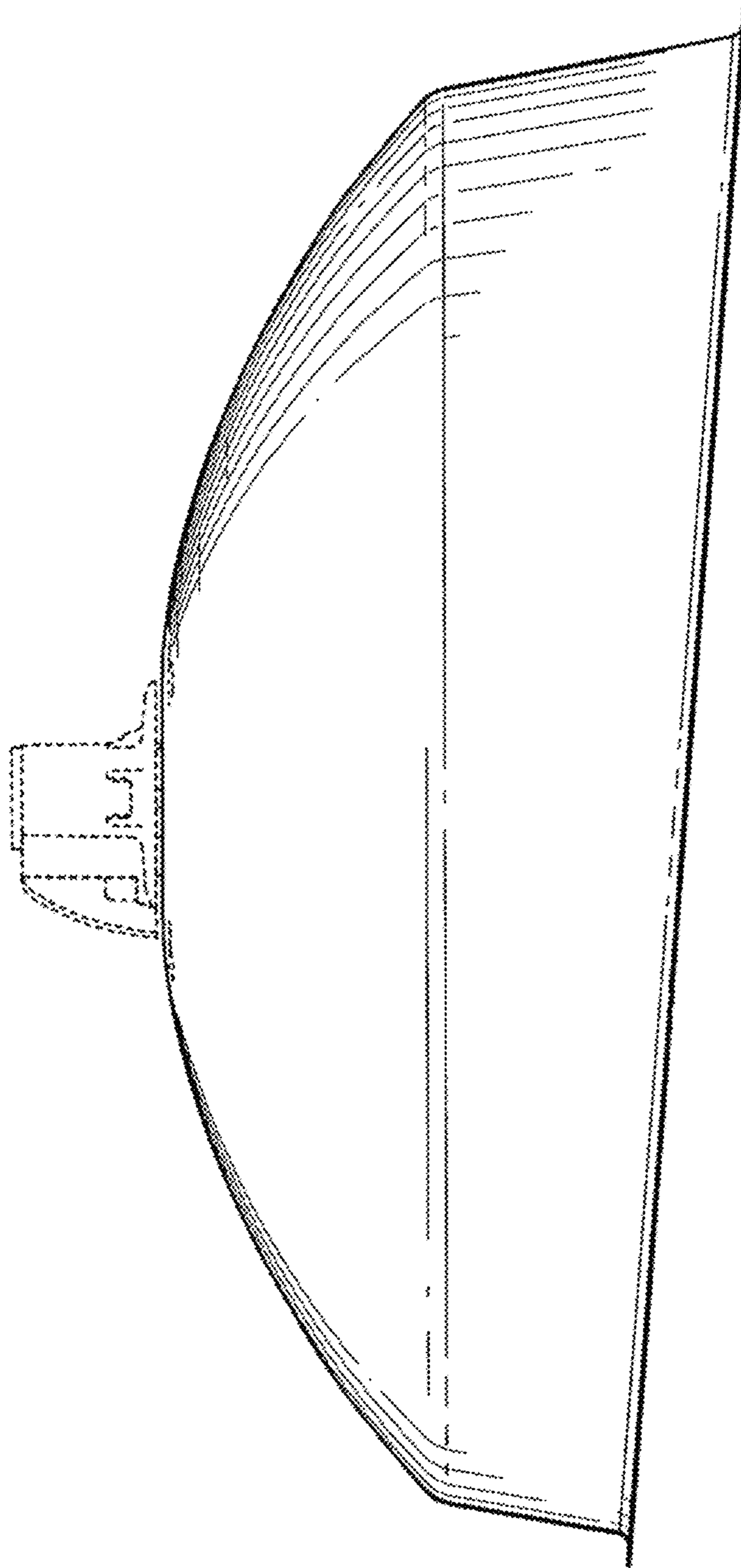
1.5



1.6



1.7



1.8

