



US00D816641S

(12) **United States Design Patent** (10) **Patent No.:** **US D816,641 S**
Courtney et al. (45) **Date of Patent:** **** May 1, 2018**

(54) **ILLUMINATED ANTENNA COVER**

(71) Applicant: **Lutron Electronics Co., Inc.**,
Coopersburg, PA (US)

(72) Inventors: **Brian Michael Courtney**, Bethlehem,
PA (US); **Brad Michael Kreschollek**,
Bethlehem, PA (US); **Jason C. Killo**,
Emmaus, PA (US); **Glenn Stone**
Laverty, IV, Coopersburg, PA (US);
Matthew Philip McDonald,
Phoenixville, PA (US); **Daniel L.**
Twaddell, Allentown, PA (US)

(73) Assignee: **Lutron Electronics Co., Inc.**,
Coopersburg, PA (US)

(**) Term: **15 Years**

(21) Appl. No.: **29/544,117**

(22) Filed: **Oct. 30, 2015**

(51) **LOC (11) Cl.** **14-03**

(52) **U.S. Cl.**
USPC **D14/230**

(58) **Field of Classification Search**
USPC D14/138, 230–238.1, 299, 358;
D12/42–43, 345, 400; D13/182; D8/396;
(Continued)

(56) **References Cited**

U.S. PATENT DOCUMENTS

D41,502 S * 6/1911 Becker D5/57
D69,295 S * 1/1926 Vandergaw et al. D5/57
(Continued)

OTHER PUBLICATIONS

2015 Taylor swift(1989)Bad blood music concert decorations led
glow stick, posted on YouTube, posted Jul. 23, 2015, [online], [site
visited Jun. 22, 2017]. Available from Internet, <URL: <https://www.youtube.com/watch?v=0gXxbmzM1aY>>.*

(Continued)

Primary Examiner — Anhdao Doan

Assistant Examiner — Mary Malley

(74) *Attorney, Agent, or Firm* — Saidman DesignLaw
Group, LLC

(57) **CLAIM**

The ornamental design for an illuminated antenna cover, as
shown and described.

DESCRIPTION

FIG. 1 is a side perspective view showing a first state in a
sequence of an illuminated antenna cover showing our new
design;

FIG. 2 is a side view thereof;

FIG. 3 is a bottom view thereof;

FIG. 4 is a side perspective view showing a second state
thereof;

FIG. 5 is a side view thereof;

FIG. 6 is a bottom view thereof;

FIG. 7 is a side perspective view showing a third state
thereof;

FIG. 8 is a side view thereof;

FIG. 9 is a bottom view thereof;

FIG. 10 is a side perspective view showing a fourth state
thereof;

FIG. 11 is a side view thereof; and,

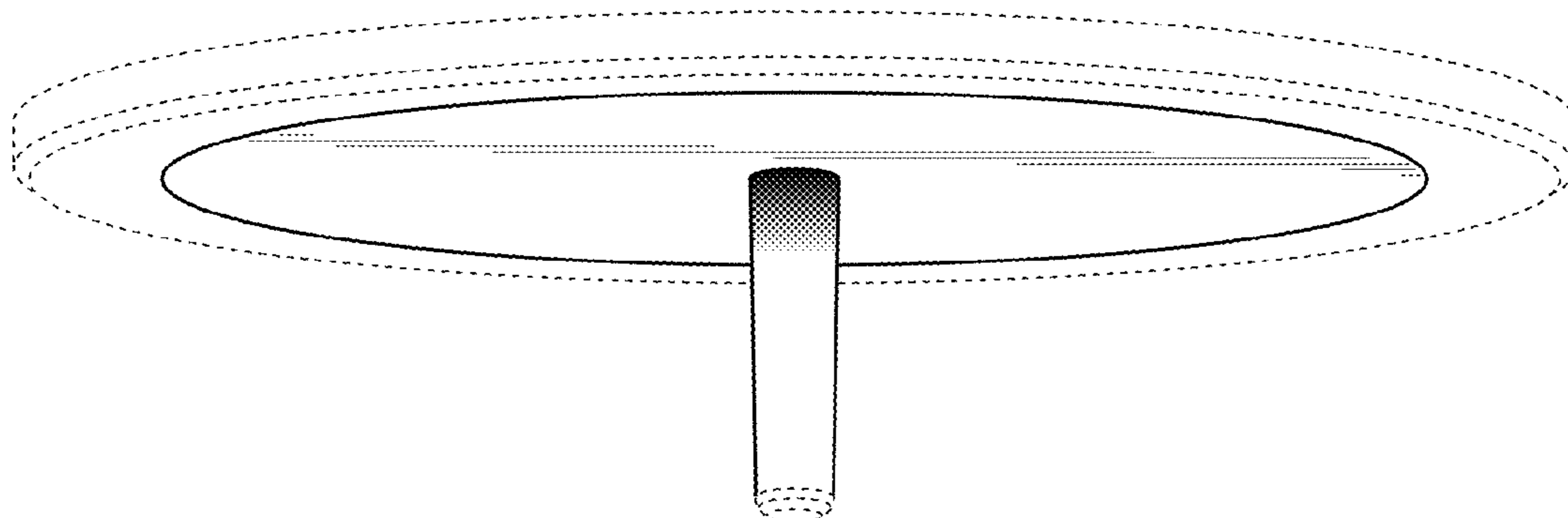
FIG. 12 is a bottom view thereof.

The broken lines immediately adjacent to shaded areas
represent boundaries of the claimed design. All other broken
lines represent portions of the illuminated antenna cover that
form no part of the claimed design.

The claimed design includes gray shaded elements which
represent illumination. Within a gray shaded element, the
gradations of dark gray to light gray represent illumination
of varying brightness or intensity, darker gray shading
representing greater brightness and lighter gray shading
representing lesser brightness.

The claimed design sequentially transitions from the first
state to the last state in the sequence. The period with which
one image transitions to another image forms no part of the
claimed design.

1 Claim, 8 Drawing Sheets



(58) **Field of Classification Search**

USPC 248/68.1; 343/711-713, 700 R-705, 819,
 343/871-908, 795, 840, 841, 846, 773,
 343/807; D6/682, 610; D22/147;
 D25/67; 29/600; D26/2, 27, 51, 60, 67,
 D26/68, 72, 76, 79, 88, 101, 104, 93;
 D5/25, 57
 CPC F16L 3/2235; F16L 3/227; F16L 3/221;
 Y10T 403/7141; H01L 33/48; H01L
 33/486; H01L 23/02; H05K 5/00; H05K
 11/00; H01Q 13/10; H01Q 7/00; H01Q
 9/285; H01Q 19/30; H01Q 19/12; H01Q
 1/38; H01Q 1/42; H01Q 1/28; H01Q
 1/3275; H01Q 1/1235; H01Q 1/1228;
 H01Q 1/1207; H01Q 1/52; H01Q 1/281;
 H01Q 1/08; H01Q 1/1242; H01Q 1/125;
 H01Q 21/06; H01Q 1/246; H01Q 11/08;
 B64C 7/00; B64G 1/222; E04B 1/3441;
 E04B 1/1903; E04G 11/48; E04G 7/14;
 E04C 3/005; E04C 3/08; A63B 1/00;
 C04B 35/584; F42B 15/34; F41H 11/02;
 G01C 21/005; F21Y 21/01/00; F21L 4/02;
 F21V 23/0414; H01J 5/56; H01J 61/30
 See application file for complete search history.

(56) **References Cited**

U.S. PATENT DOCUMENTS

D370,919 S * 6/1996 Mada D14/230
 D403,549 S * 1/1999 Dudash D6/610
 5,923,302 A * 7/1999 Waterman H01Q 1/28
 343/727
 6,133,885 A * 10/2000 Luniak H01Q 1/242
 343/702
 6,275,198 B1 * 8/2001 Kenoun H01Q 1/242
 343/702

6,359,592 B1 * 3/2002 Chen H01Q 1/10
 343/702
 D457,669 S * 5/2002 Piepgras D26/37
 6,661,391 B2 * 12/2003 Ohara H01Q 1/242
 343/702
 6,707,430 B2 * 3/2004 Sakaguchi H01Q 1/242
 343/702
 D589,205 S * 3/2009 Sabernig D26/104
 D594,686 S * 6/2009 Bodum D6/610
 7,868,832 B2 * 1/2011 Krishtul H01Q 1/243
 29/600
 D735,368 S * 7/2015 McGrath D26/2
 2004/0183727 A1 * 9/2004 Choi H01Q 1/22
 343/700 MS
 2005/0104782 A1 * 5/2005 Peled H01Q 1/241
 343/702
 2006/0017650 A1 * 1/2006 Allen H01Q 9/0407
 343/900
 2006/0187137 A1 * 8/2006 Waltman H01Q 19/132
 343/840
 2008/0074332 A1 * 3/2008 Arronte H01Q 1/243
 343/702

OTHER PUBLICATIONS

Taylor Swift concert Multi Zone remote control led stick / DMX led
 stick, posted on YouTube, posted Jul. 3, 2015, [online], [site visited
 Jun. 22, 2017]. Available from Internet, <URL: <https://www.youtube.com/watch?v=pPNBjZidqL0>>.*
 Lutron Electronics Co., Inc., Stanza Hotel Guestroom Light Control
 Brochure, Feb. 20, 2008, 12 pages.
 Dynalite Intelligent Light Pty Ltd., Light News, Aug. 2005, 8 pages,
 issue 2.
 Inncom, GS-700 Family Glass Series Switches Sell Sheet, Nov.
 2008, 2 pages.
 Basalte BVBA, Sentido KNX v3.1 Manual, 2012, pp. 1-3.

* cited by examiner

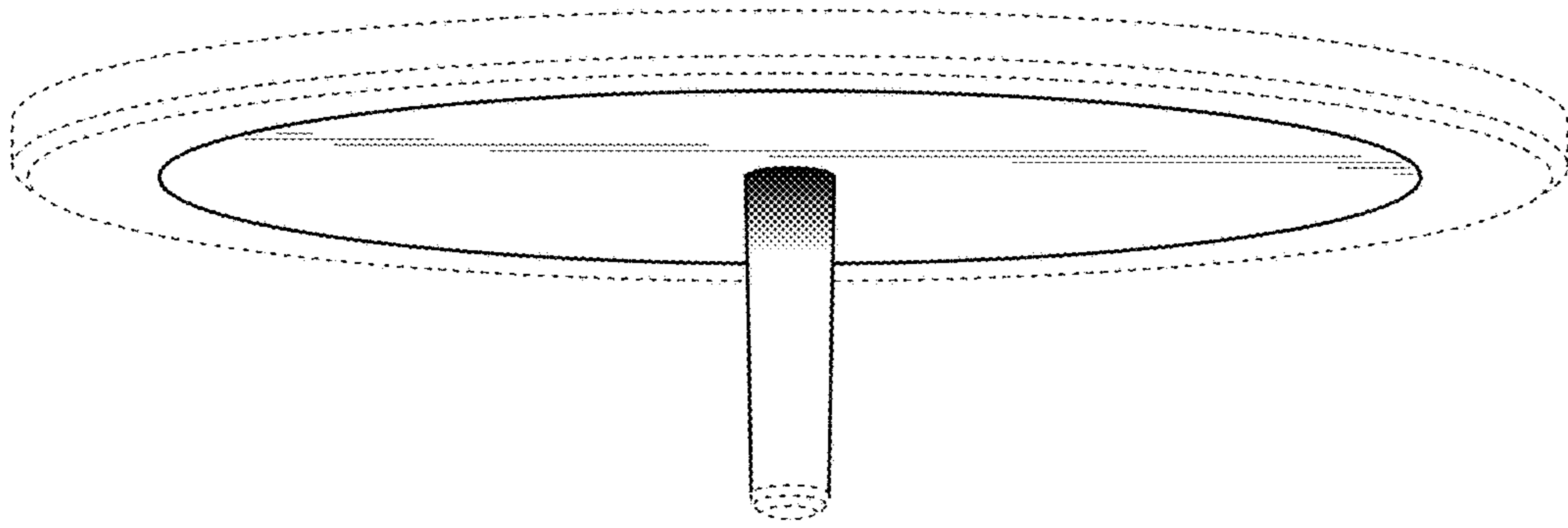


Fig. 1

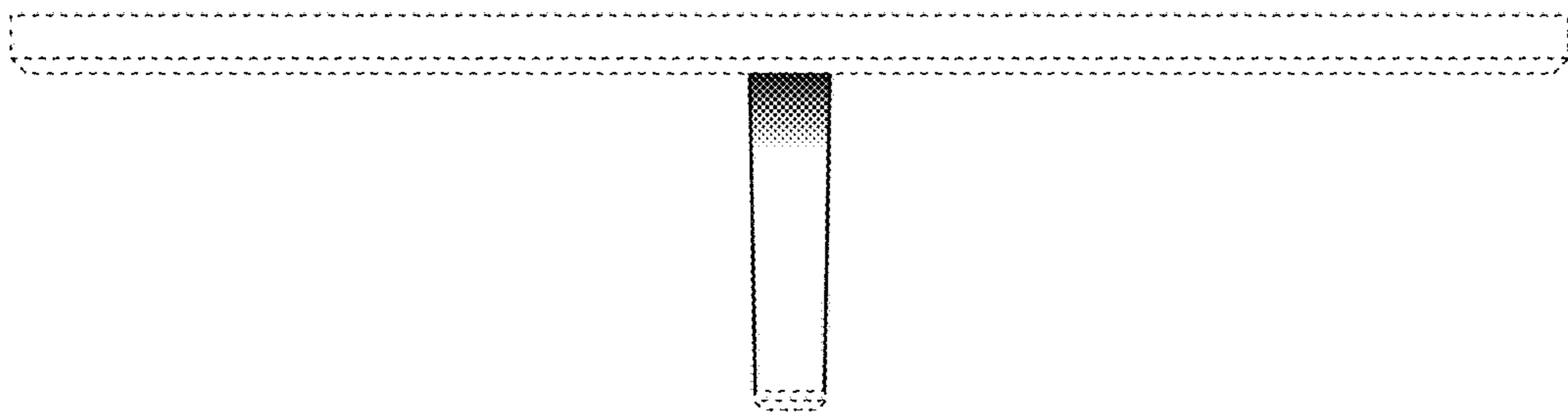


Fig. 2

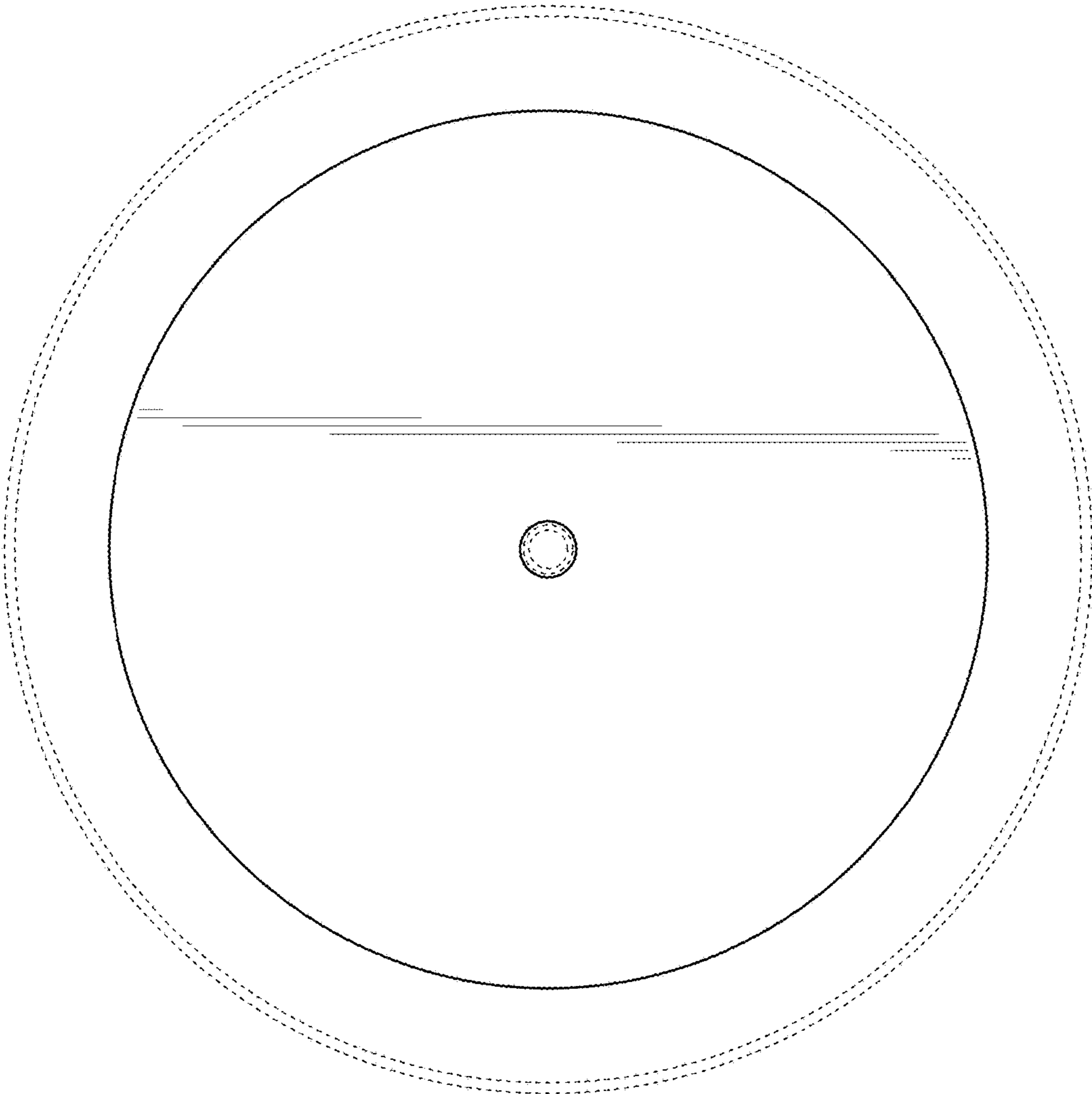


Fig. 3

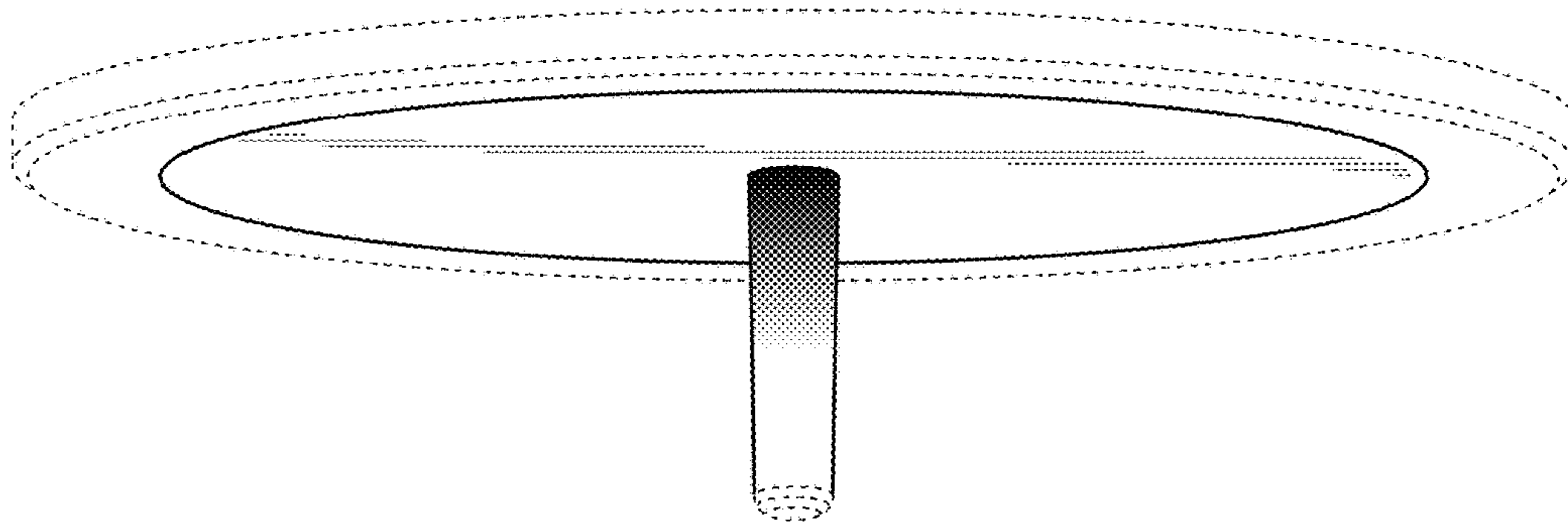


Fig. 4

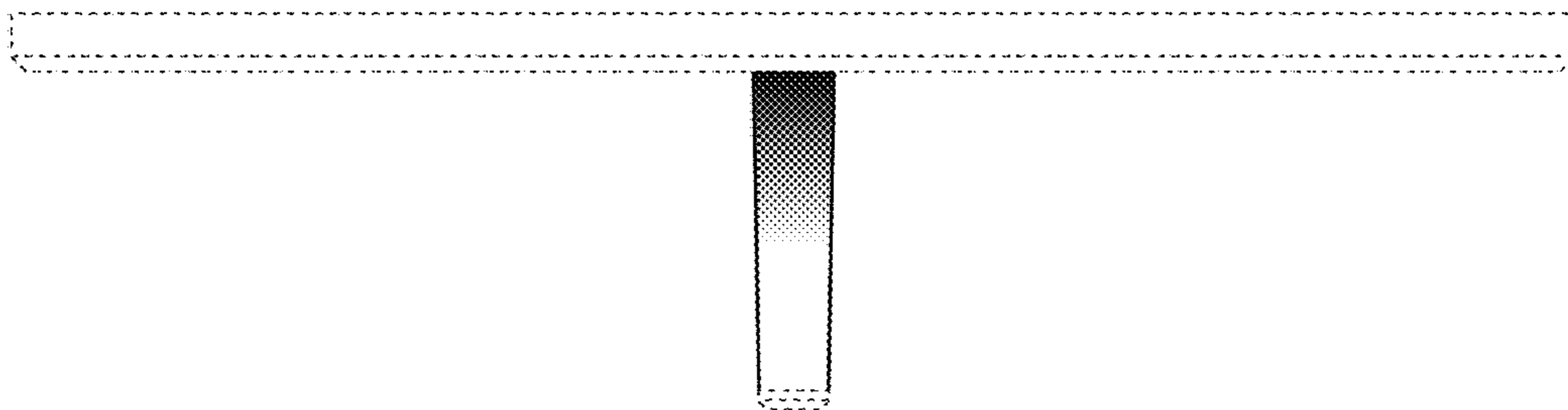


Fig. 5

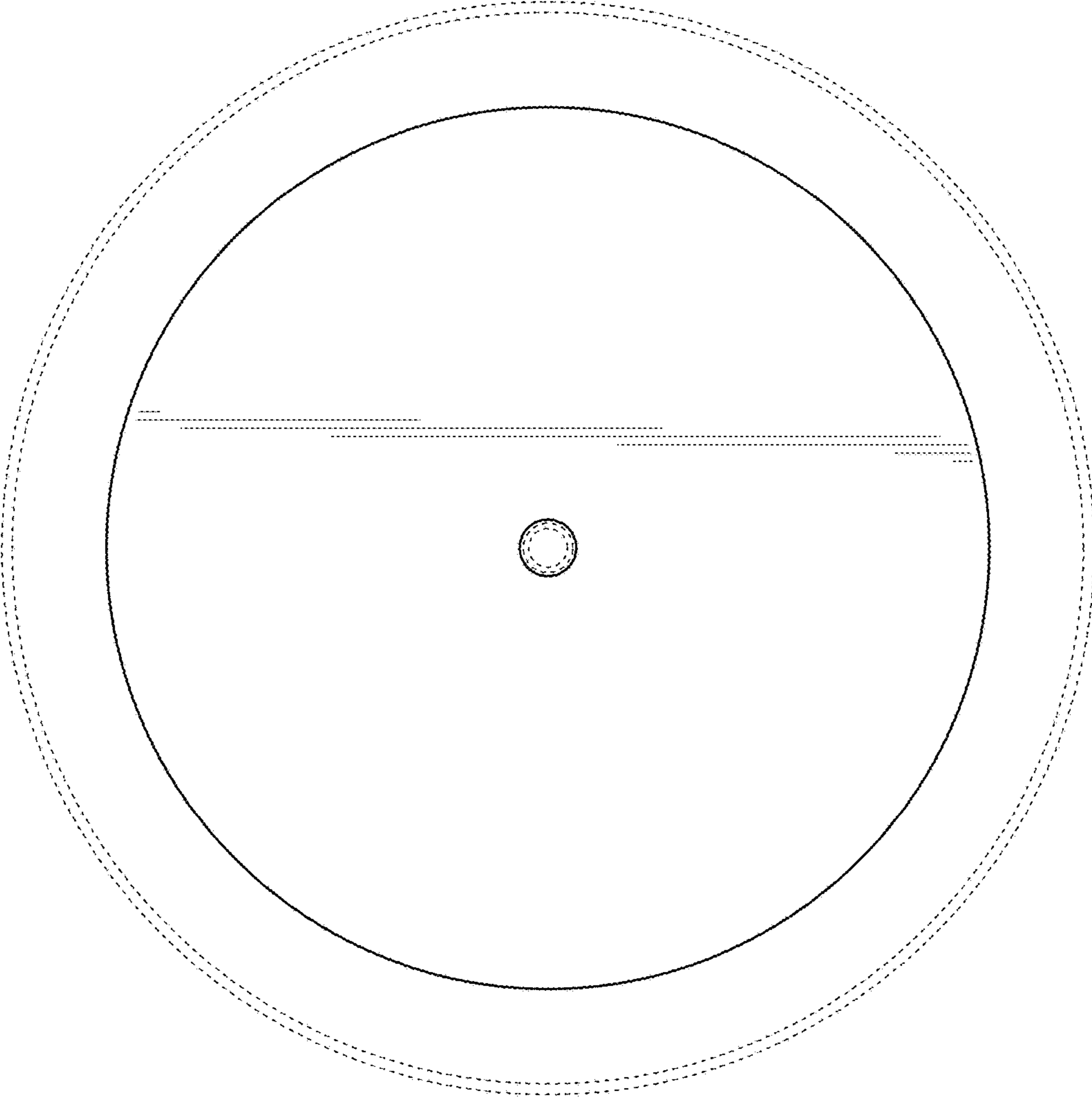


Fig. 6

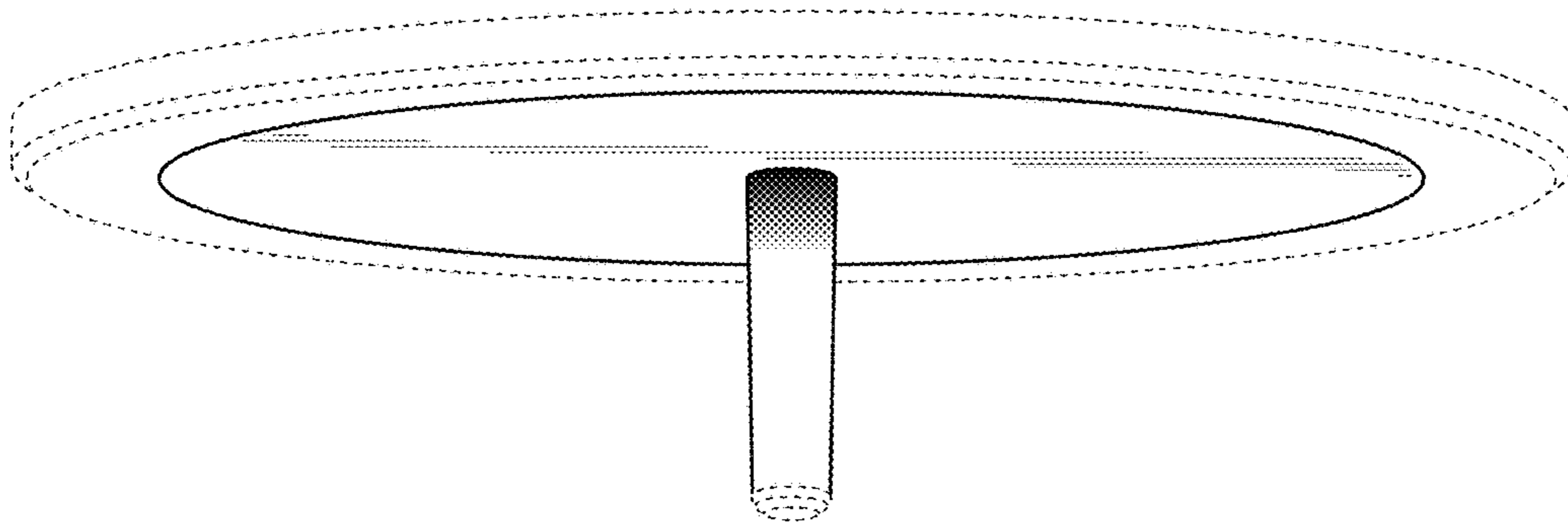


Fig. 7

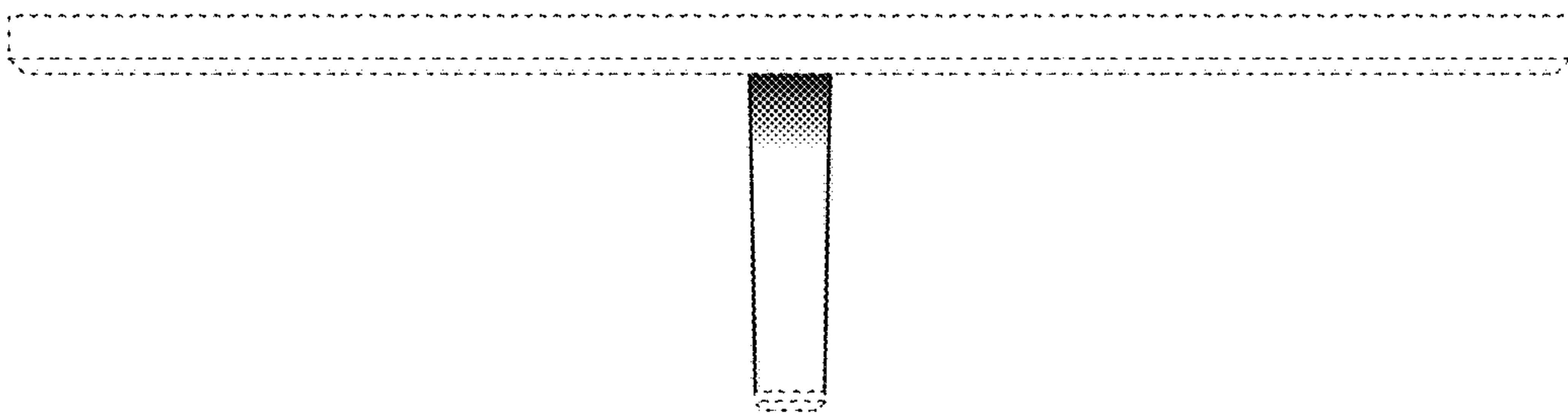


Fig. 8

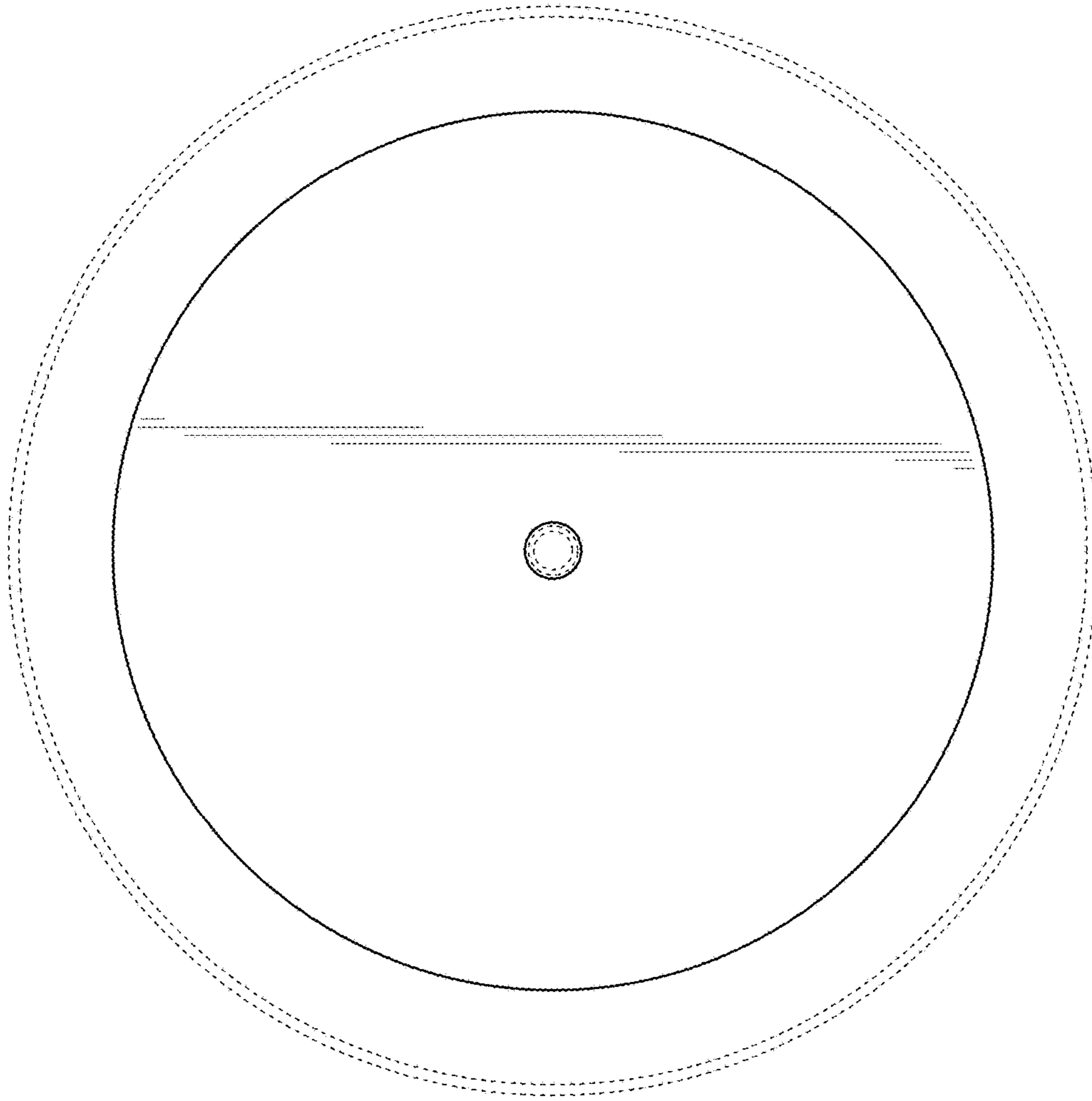


Fig. 9

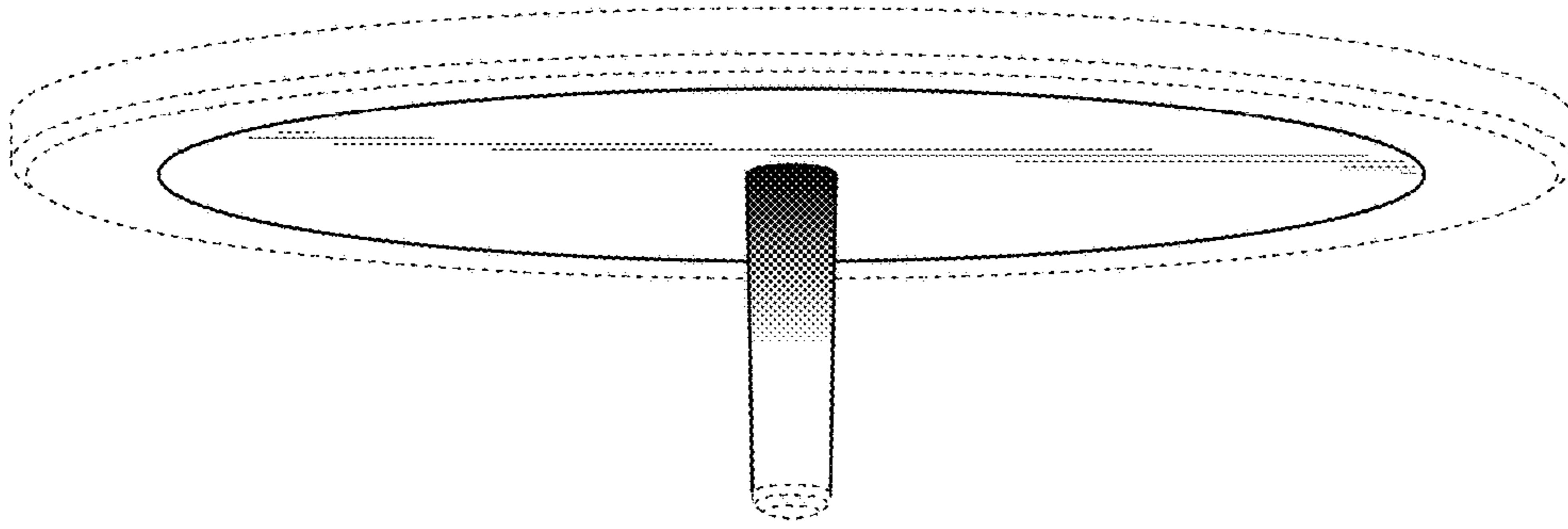


Fig. 10

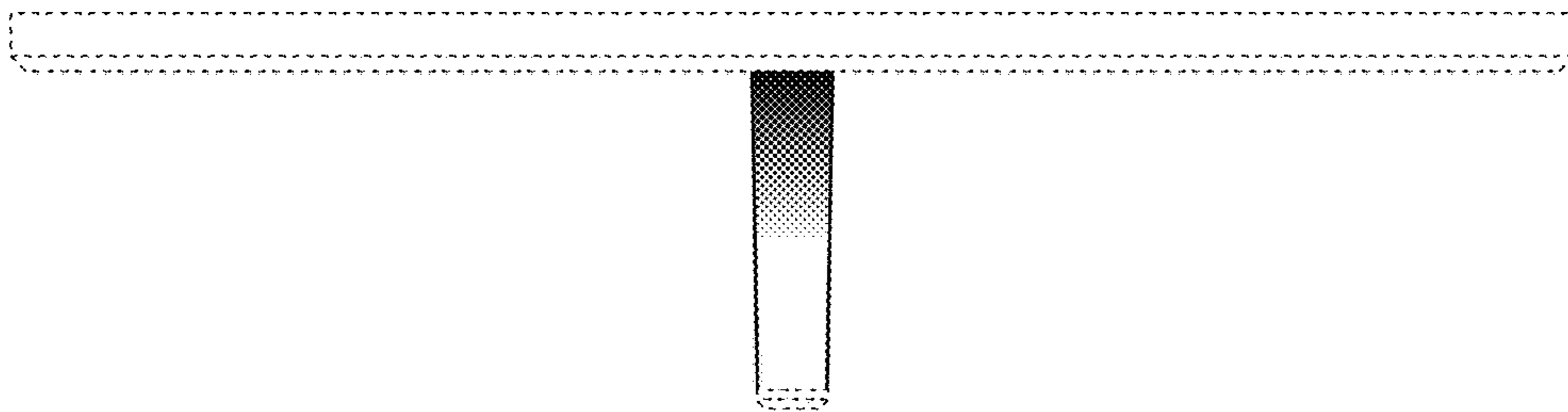


Fig. 11

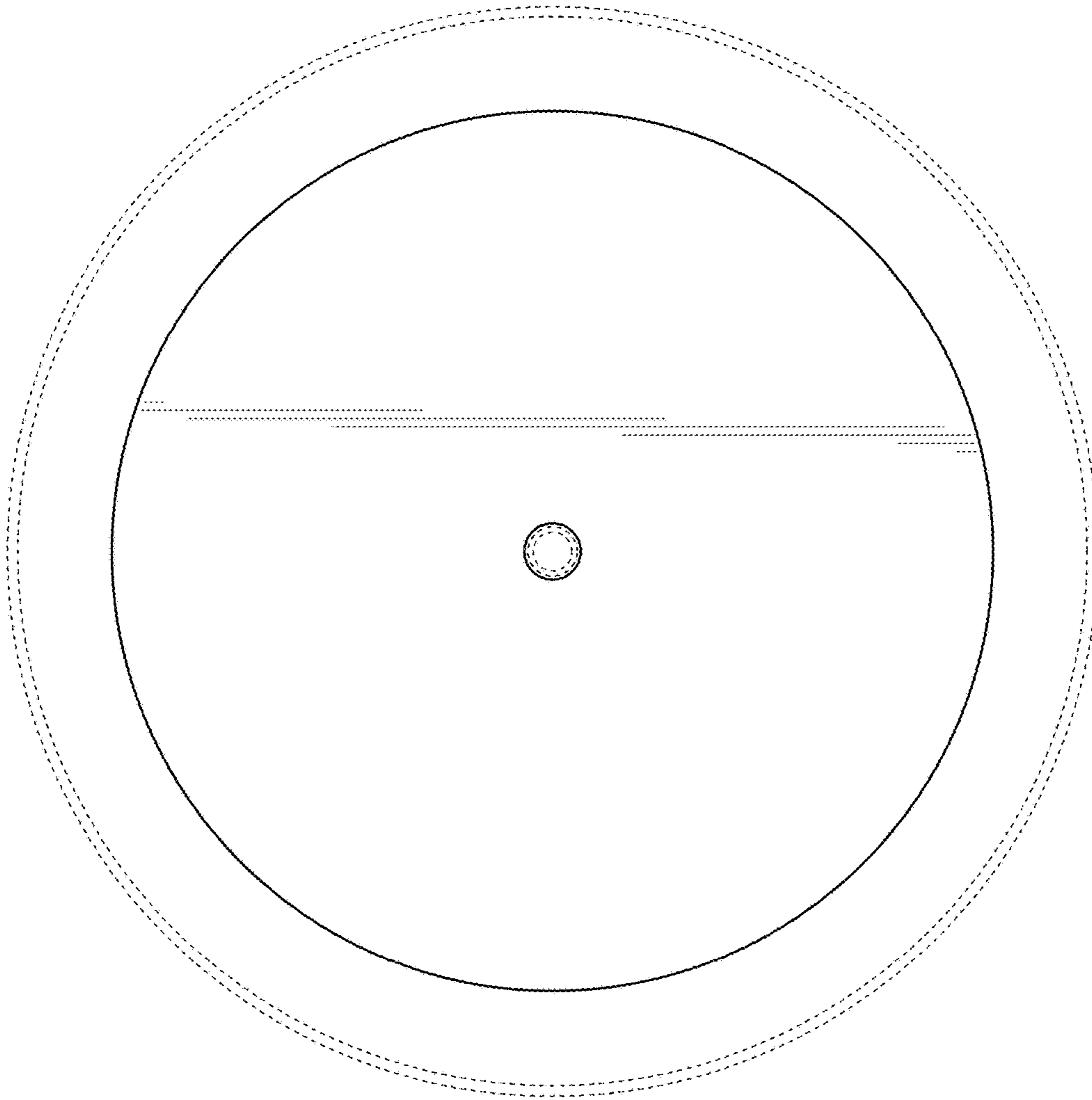


Fig. 12