



US00D816640S

(12) **United States Design Patent**
Cho et al.

(10) **Patent No.:** **US D816,640 S**

(45) **Date of Patent:** **** May 1, 2018**

(54) **MICROPHONE**

(71) Applicant: **Shure Acquisition Holdings, Inc.**,
Niles, IL (US)

(72) Inventors: **Elizabeth Cho**, Niles, IL (US); **John Miller**, Niles, IL (US); **Daniel Pratt**, Niles, IL (US); **Jeff Segota**, Niles, IL (US)

(73) Assignee: **Shure Acquisition Holdings, Inc.**,
Niles, IL (US)

(**) Term: **15 Years**

(21) Appl. No.: **29/574,221**

(22) Filed: **Aug. 12, 2016**

(51) **LOC (11) Cl.** **14-01**

(52) **U.S. Cl.**
USPC **D14/228**

(58) **Field of Classification Search**
USPC D14/154, 157-159, 168, 185-186, 188,
D14/221-22, 224-229, 242-243, 259,
D14/299, 500, 501, 507; D26/37
CPC H04R 1/326; H04R 1/406; H04R 1/083;
H04R 1/222; H04R 1/1041; H04R 17/02;
H04R 29/004; H04R 29/005; H04R
19/04; H04R 2420/07; H04R 2410/00;
H04R 2410/01
See application file for complete search history.

(56) **References Cited**

U.S. PATENT DOCUMENTS

2,337,781 A * 12/1943 Stoker H02G 3/22
174/137 R
3,718,862 A * 2/1973 Norris H04B 5/06
455/117
D296,100 S * 6/1988 Kubota D14/228
D355,915 S * 2/1995 Chan D14/225
5,755,419 A * 5/1998 Gearhart A63H 27/10
248/176.1

D407,407 S * 3/1999 Okon D14/228
5,938,154 A * 8/1999 Bartels A63H 27/10
248/176.1
6,543,777 B2 * 4/2003 Carbonero A63B 71/023
248/176.1
D483,028 S * 12/2003 Morrow, Jr. D14/225
D492,669 S * 7/2004 Kilhefner D14/225
D498,232 S * 11/2004 Ruhrig D14/228

(Continued)

OTHER PUBLICATIONS

Samson Meteor Mic USB Studio Microphone, posted at Amazon.com, posted on Jan. 20, 2011, site visited Dec. 11, 2017, <https://www.amazon.com/dp/B004MF39YS/ref=psdc_1974651_t4_B000EOPQ7E>.*

Primary Examiner — Barbara Fox

Assistant Examiner — Messina L Smith

(74) *Attorney, Agent, or Firm* — Banner & Witcoff, Ltd.

(57) **CLAIM**

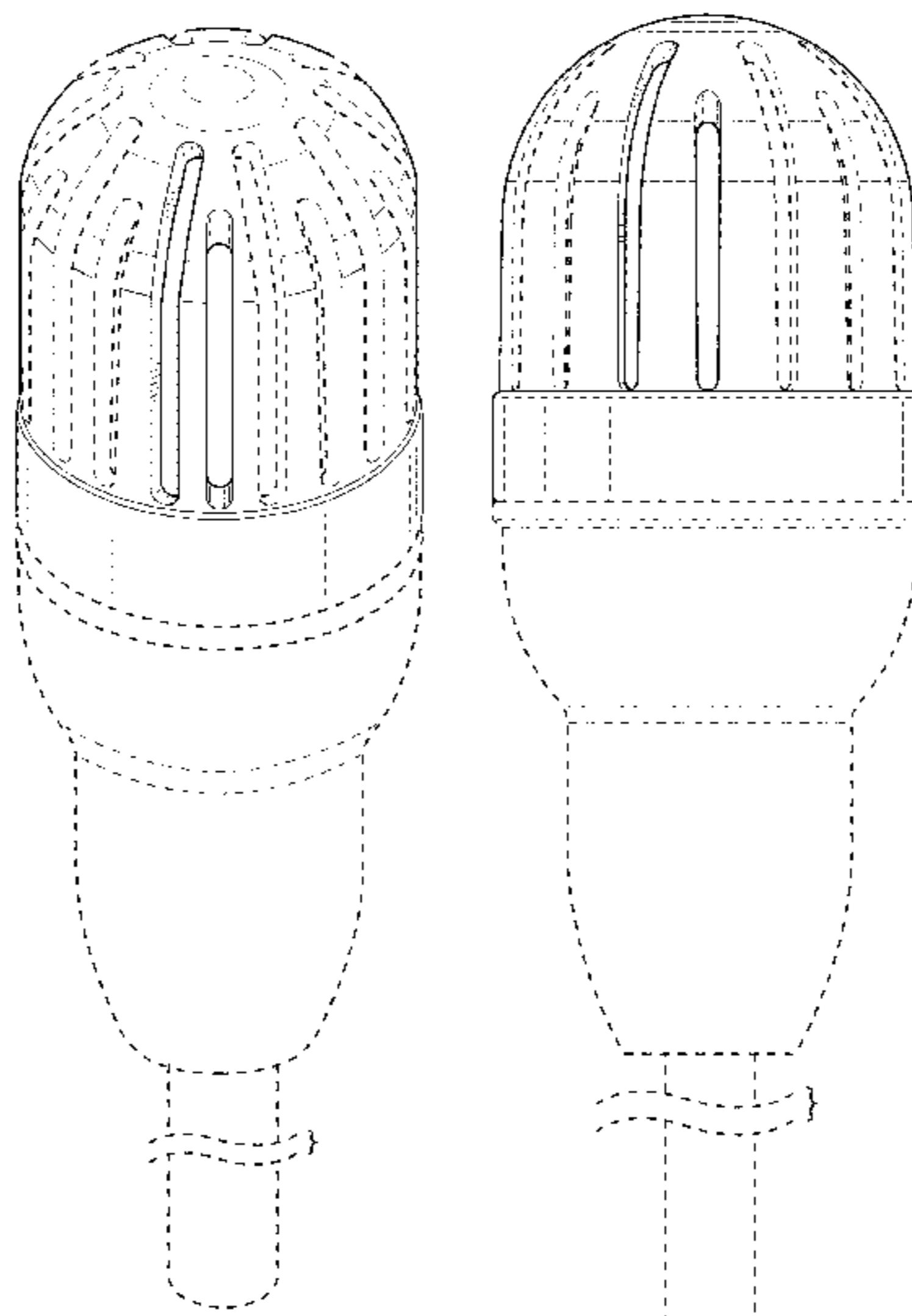
The ornamental design for a microphone, as shown and described.

DESCRIPTION

FIG. 1 is a top, front, right perspective view of a microphone showing our new design;
FIG. 2 is a front view thereof;
FIG. 3 is a right side view thereof;
FIG. 4 is a rear view thereof;
FIG. 5 is a left side view thereof;
FIG. 6 is a top view thereof; and,
FIG. 7 is a bottom view thereof.

The microphone is shown with symbolic breaks in its length. The appearance of any portion of the article between the break lines forms no part of the claimed design. The broken line immediately adjacent to the shaded area depicts a boundary line and forms no part of the claimed design. All other broken lines in the drawing depict portions of the microphone that form no part of the claimed design.

1 Claim, 7 Drawing Sheets



(56)

References Cited

U.S. PATENT DOCUMENTS

D504,678 S *	5/2005	Ruhrig	D14/228
D623,631 S *	9/2010	Kung	D14/228
2014/0376761 A1*	12/2014	Godfrey	H04R 1/04 381/356

* cited by examiner

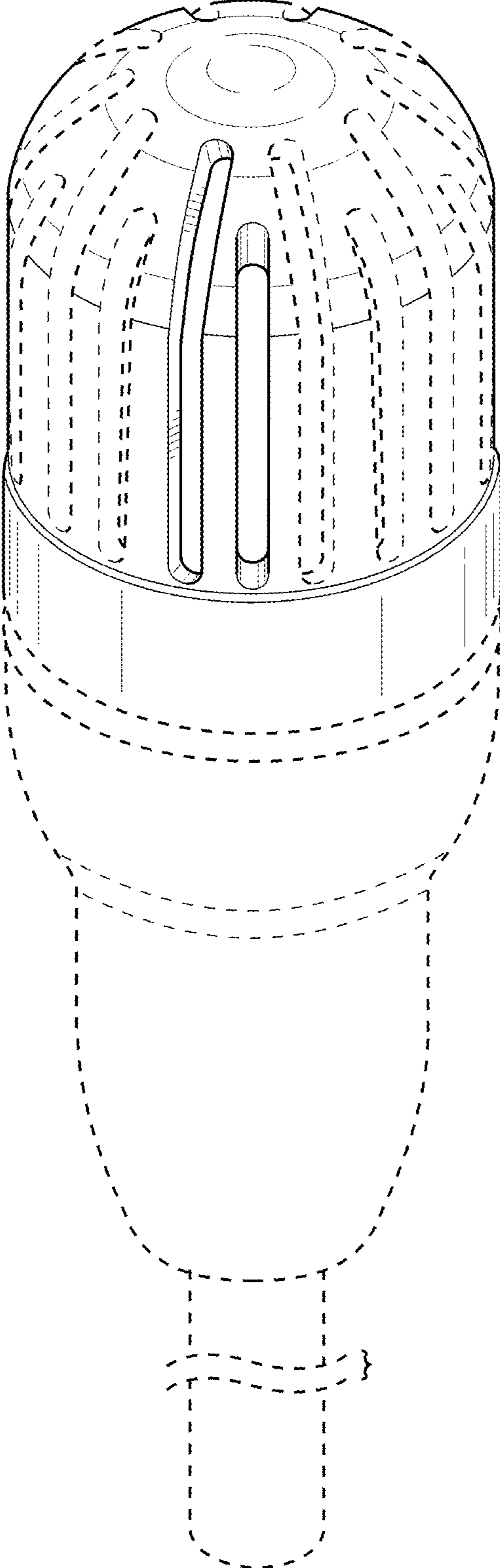


FIG. 1

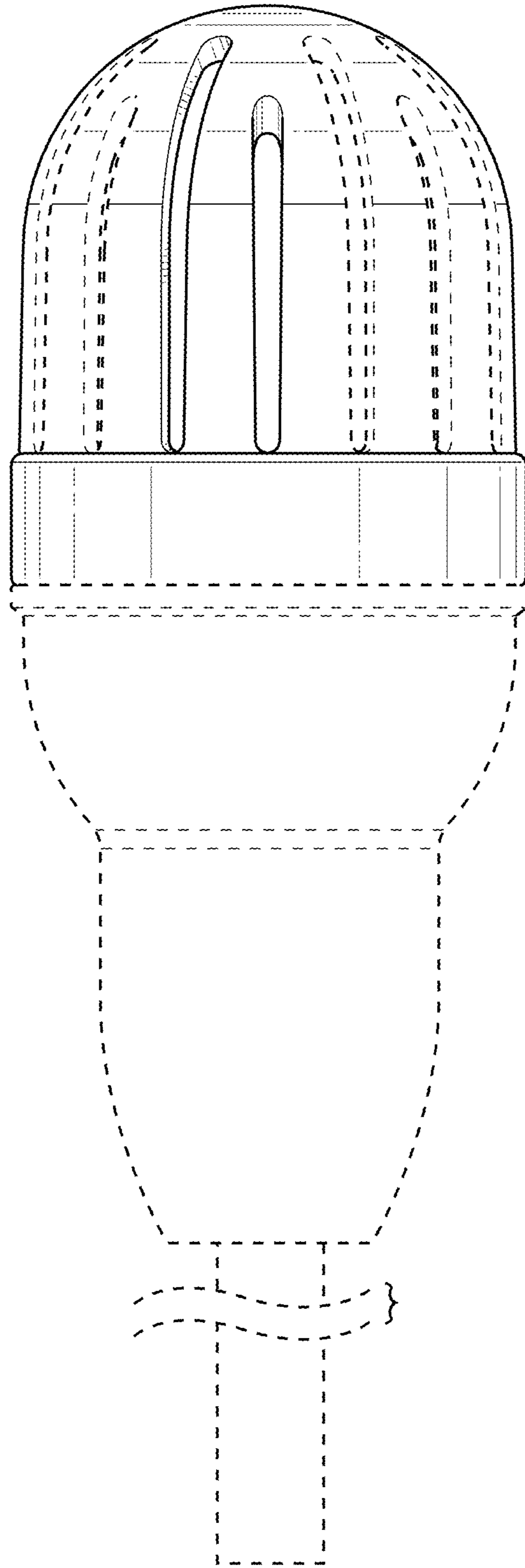


FIG. 2

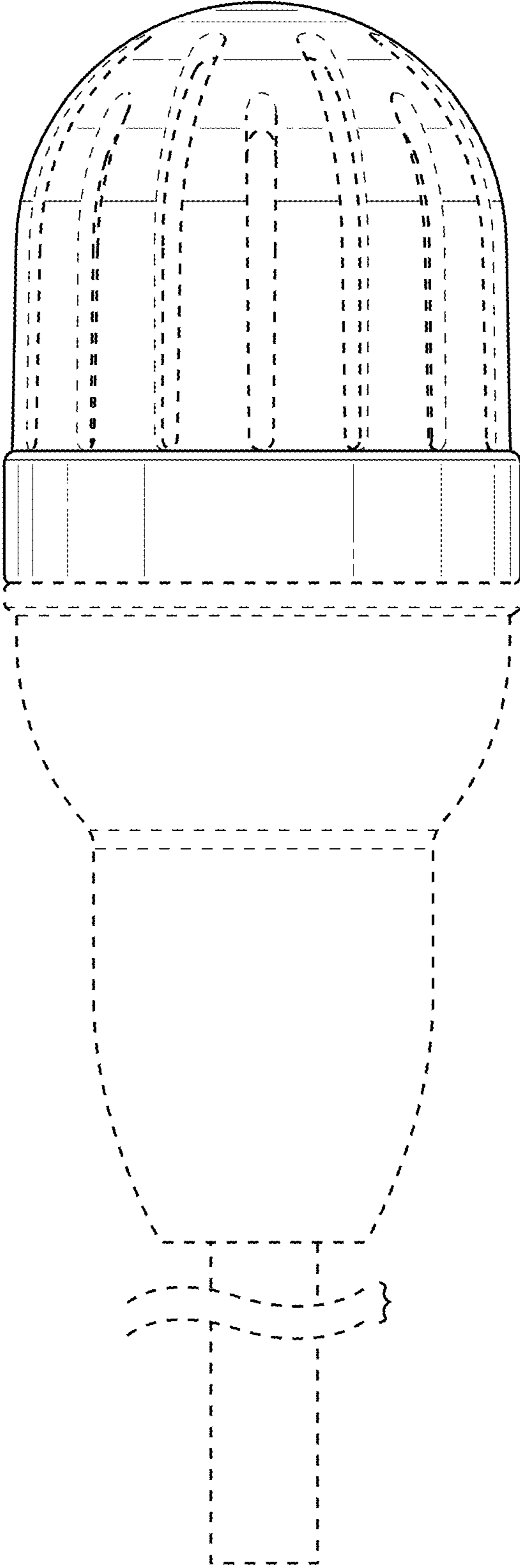


FIG. 3

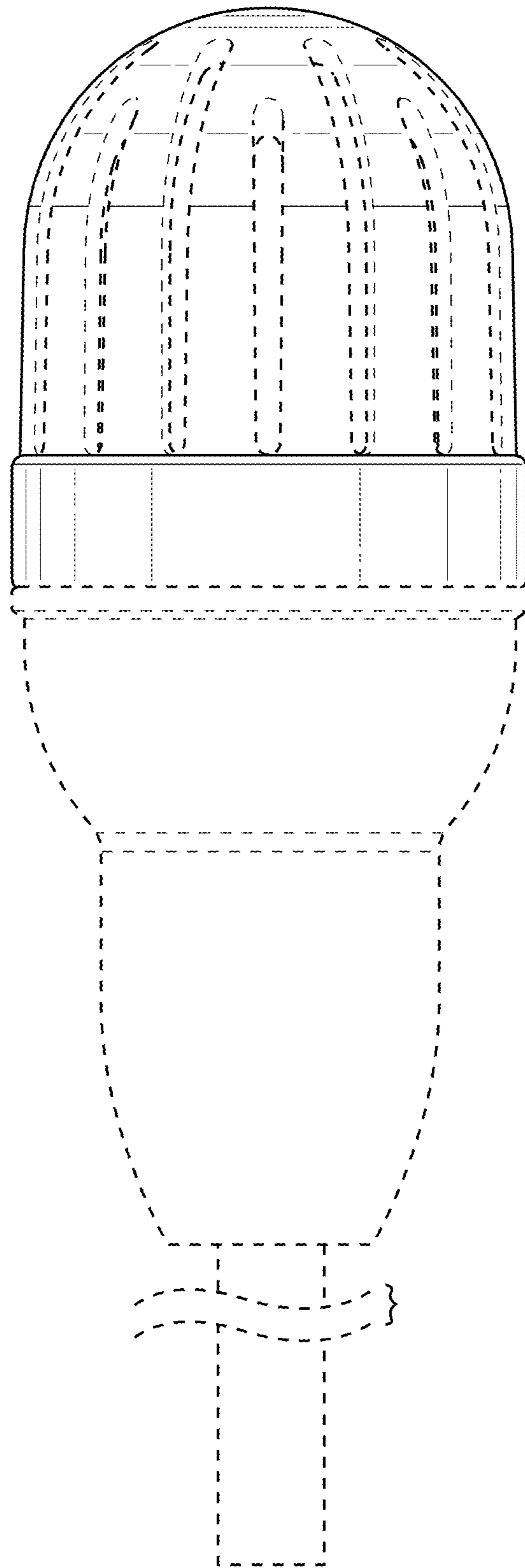


FIG. 4

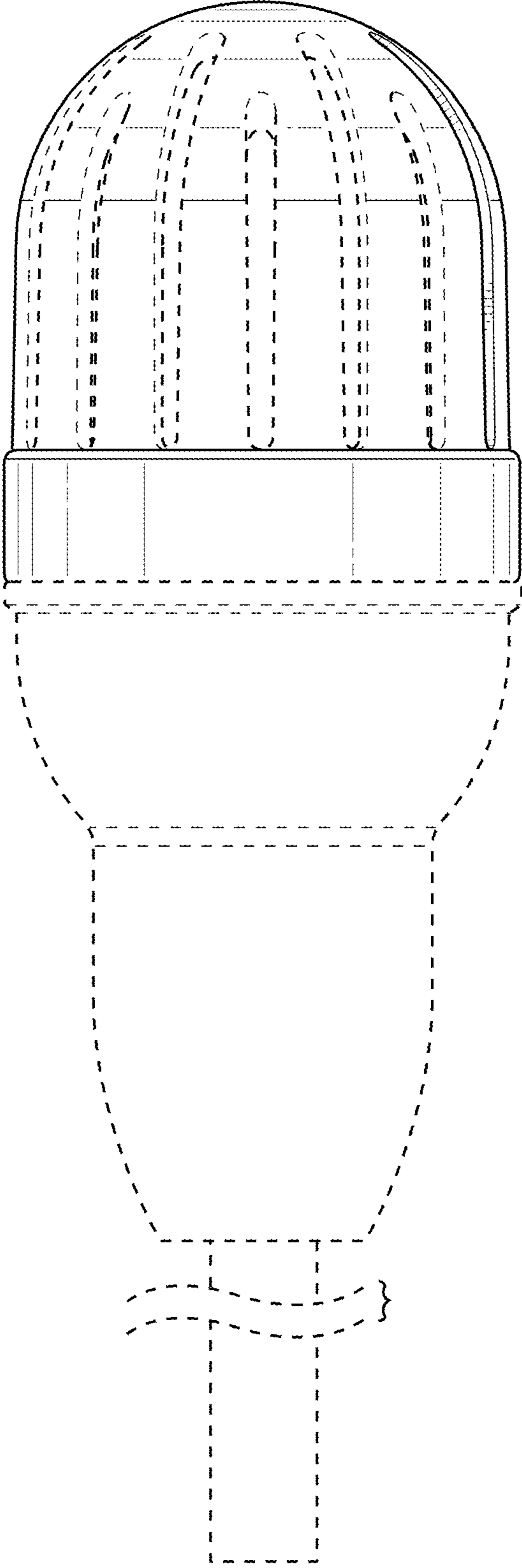


FIG. 5

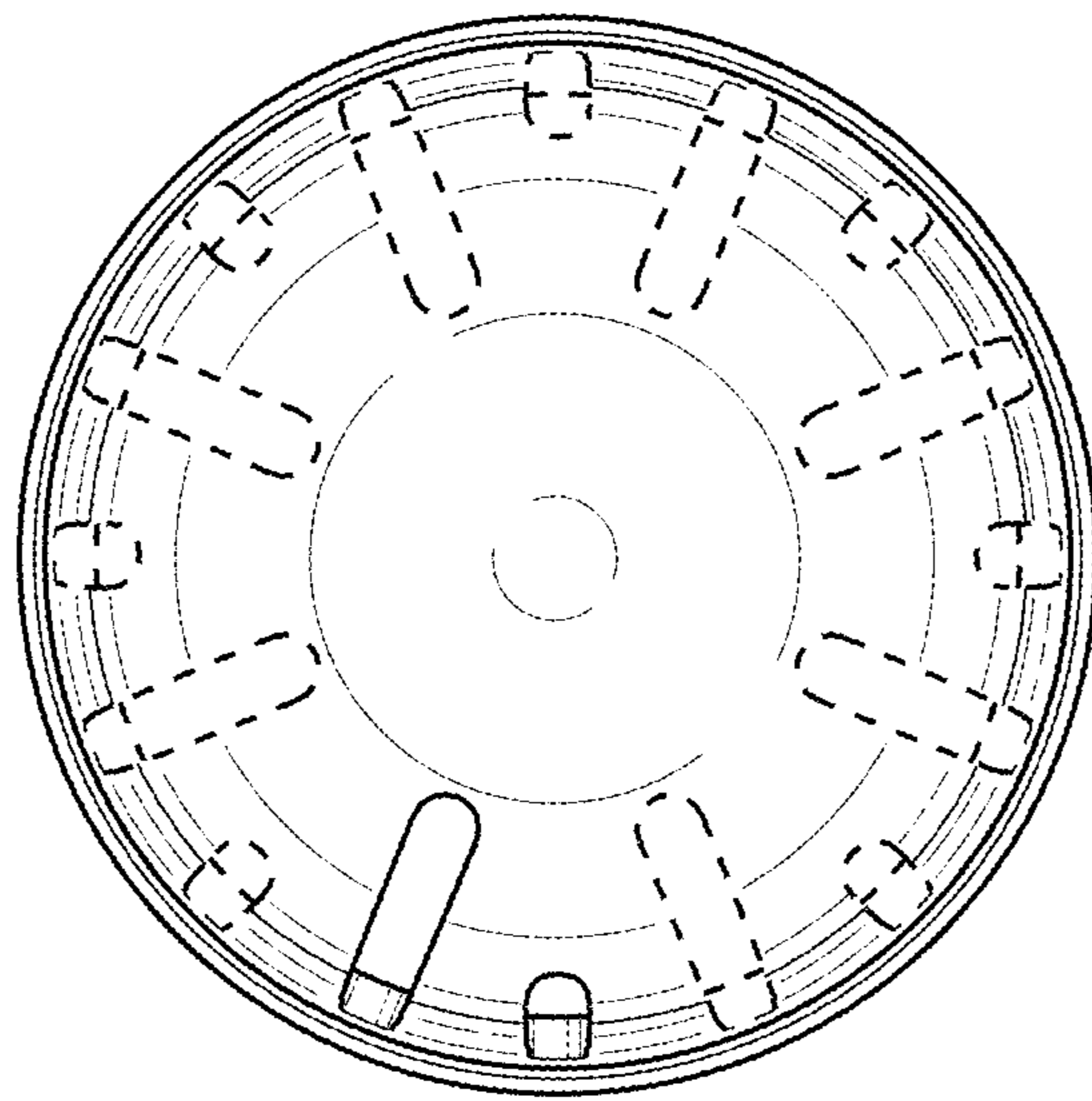


FIG. 6

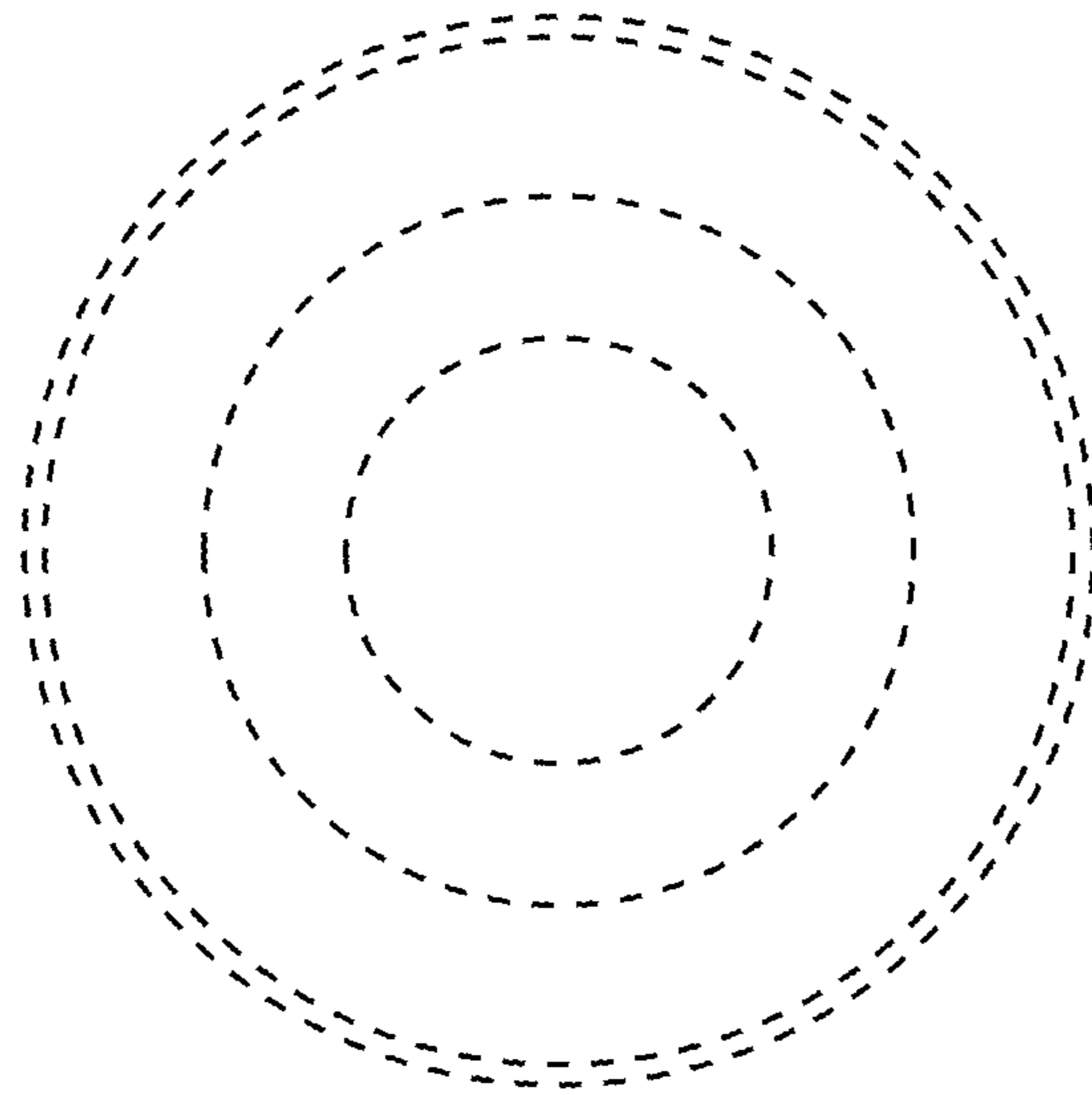


FIG. 7