



US00D816639S

(12) **United States Design Patent** (10) **Patent No.:** **US D816,639 S**  
**Abe** (45) **Date of Patent:** **\*\* May 1, 2018**

(54) **MICROPHONE FOR WIRELESS COMMUNICATIONS DEVICE**  
(71) Applicant: **JVC KENWOOD Corporation**,  
Yokohama-shi, Kanagawa (JP)

D564,999 S \* 3/2008 Richards ..... D14/137  
D574,355 S \* 8/2008 Okawa ..... D14/147  
D583,349 S \* 12/2008 Lee ..... D14/138 AA  
D587,690 S \* 3/2009 Onodera ..... D14/225  
D598,876 S \* 8/2009 Leng ..... D14/137  
D605,616 S \* 12/2009 Scott ..... D14/137

(Continued)

(72) Inventor: **Hisayuki Abe**, Kanagawaken (JP)  
(73) Assignee: **JVC KENWOOD CORPORATION**,  
Yokohama-Shi, Kanagawa (JP)

FOREIGN PATENT DOCUMENTS

JP 1388761 \* 5/2010  
KR 300493592.0000 \* 6/2008

(\*\*) Term: **15 Years**

OTHER PUBLICATIONS

(21) Appl. No.: **29/580,715**

Kenwood Nexedge NX-3200/3320 Brochure, published date not given, [online], [site visited Dec. 13, 2017]. Available from Internet, <URL: <http://www.precisionradio.com/radio/sites/default/files/NX-3220%263320Bro06.02Comp.pdf>>.\*

(22) Filed: **Oct. 12, 2016**

(30) **Foreign Application Priority Data**

Jul. 5, 2016 (JP) ..... D2016-014257

*Primary Examiner* — Jeffrey D Asch

(51) **LOC (11) Cl.** ..... **14-01**

(74) *Attorney, Agent, or Firm* — Cantor Colburn LLP

(52) **U.S. Cl.**  
USPC ..... **D14/226**; D14/137

(58) **Field of Classification Search**  
USPC .... D14/137, 138 R, 138 AA, 147, 148, 218,  
D14/155, 159, 142, 225, 226, 191, 188,  
D14/192, 194, 197, 198; D21/517;  
D10/104.1, 104.2, 106.1, 65; D13/168  
CPC ..... H04B 1/3833; H04B 1/3827; H04B  
2001/3861; H04M 1/0202; H04M 1/03;  
H04M 1/035; H04W 76/005; G08B  
21/0202  
See application file for complete search history.

(57) **CLAIM**

The ornamental design for a microphone for wireless communications device, as shown and described.

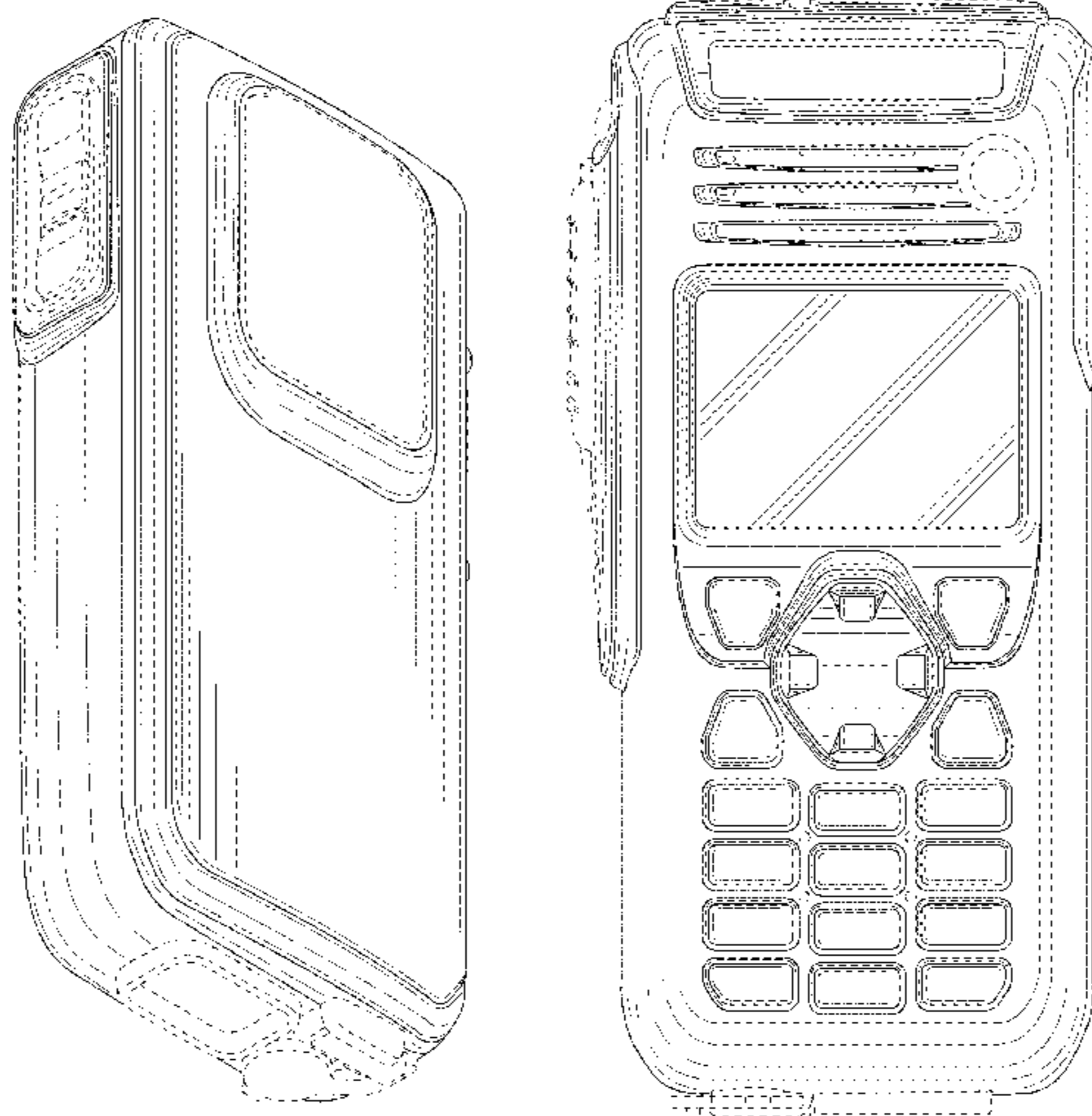
**DESCRIPTION**

FIG. 1 is a front perspective view of a microphone for wireless communications device.  
FIG. 2 is a rear perspective view of FIG. 1;  
FIG. 3 is a front view of FIG. 1;  
FIG. 4 is a rear view of FIG. 1;  
FIG. 5 is a top view of FIG. 1;  
FIG. 6 is a bottom view of FIG. 1;  
FIG. 7 is a right side view of FIG. 1; and,  
FIG. 8 is a left side view of FIG. 1.  
The broken lines in the drawings are for the purpose of illustrating portions of the microphone for wireless communications device that form no part of the claimed design.

(56) **References Cited**  
U.S. PATENT DOCUMENTS

D321,692 S \* 11/1991 Siddoway ..... D14/225  
D388,094 S \* 12/1997 Tokiyama ..... D14/204  
5,884,198 A \* 3/1999 Kese ..... H04B 1/385  
343/702  
D451,484 S \* 12/2001 Page ..... D14/137  
D526,993 S \* 8/2006 Richards ..... D14/188

**1 Claim, 8 Drawing Sheets**



(56)

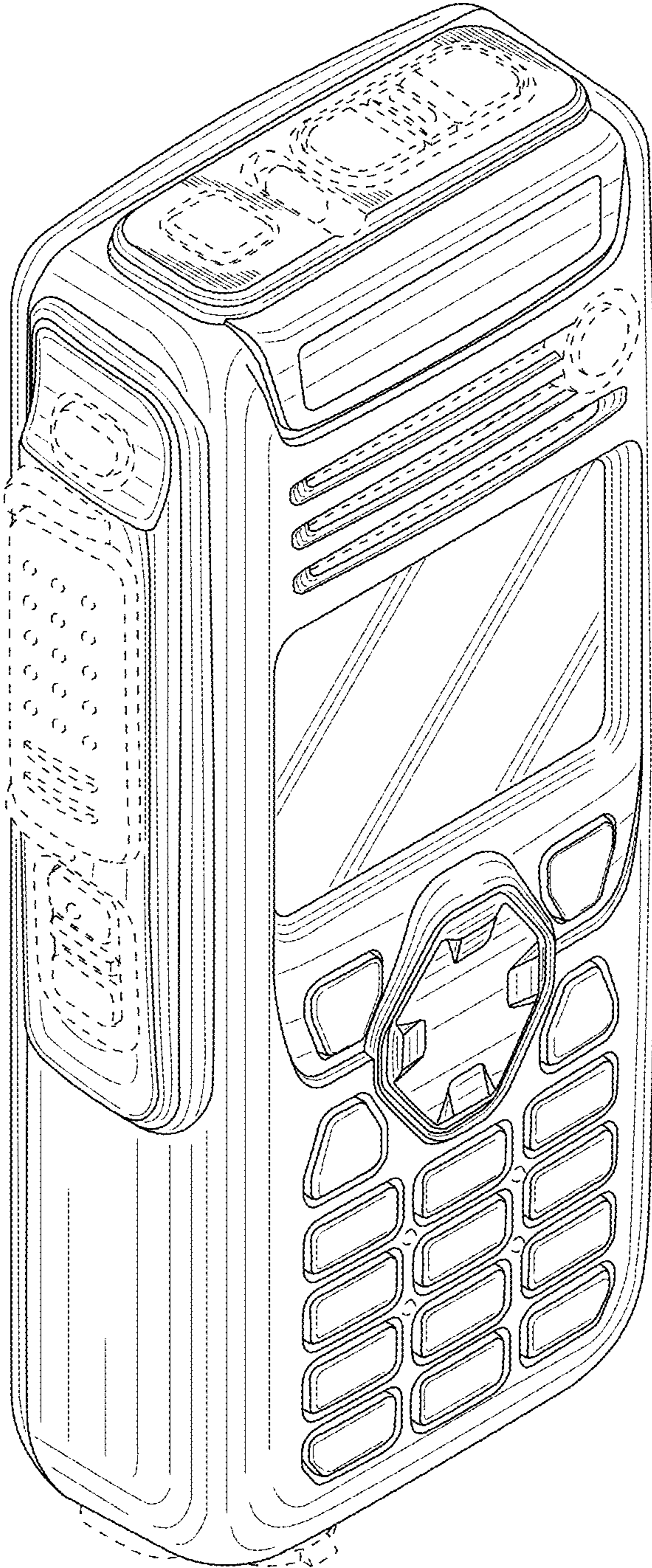
**References Cited**

U.S. PATENT DOCUMENTS

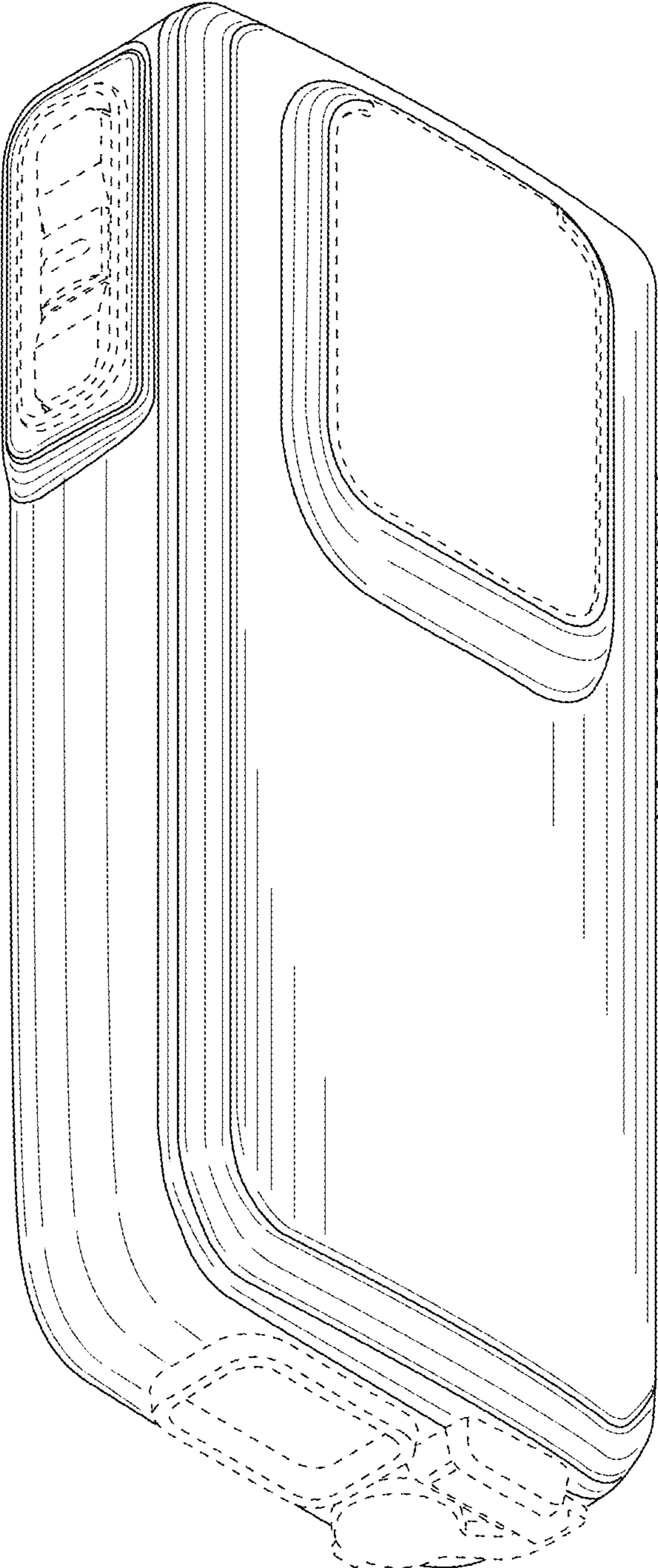
D616,844	S *	6/2010	Xia	.....	D14/137
D654,035	S *	2/2012	Ismail	.....	D14/137
D662,482	S *	6/2012	Kaner	.....	D14/137
D662,483	S *	6/2012	Kaner	.....	D14/137
D677,238	S *	3/2013	Shioya	.....	D14/138 AA
9,065,901	B2 *	6/2015	Mackey	.....	H04M 1/233
D752,536	S *	3/2016	Ooi	.....	D14/137
D761,223	S *	7/2016	Oikawa	.....	D14/137
D761,224	S *	7/2016	Khairudin	.....	D14/137
2006/0135088	A1 *	6/2006	Chen	.....	G01S 19/14 455/90.3
2009/0128427	A1 *	5/2009	Nawa	.....	H01Q 1/22 343/702
2011/0028105	A1 *	2/2011	Astanovsky	.....	H04B 1/3877 455/90.3
2011/0281533	A1 *	11/2011	Deleus	.....	G06F 3/0338 455/90.2
2013/0079028	A1 *	3/2013	Klein	.....	H04W 4/022 455/456.1
2014/0010383	A1 *	1/2014	Mackey	.....	H04M 1/03 381/71.1
2015/0017929	A1 *	1/2015	Ljung	.....	H04B 7/0608 455/73
2015/0381333	A1 *	12/2015	Tennant	.....	H04L 5/1461 370/278

\* cited by examiner

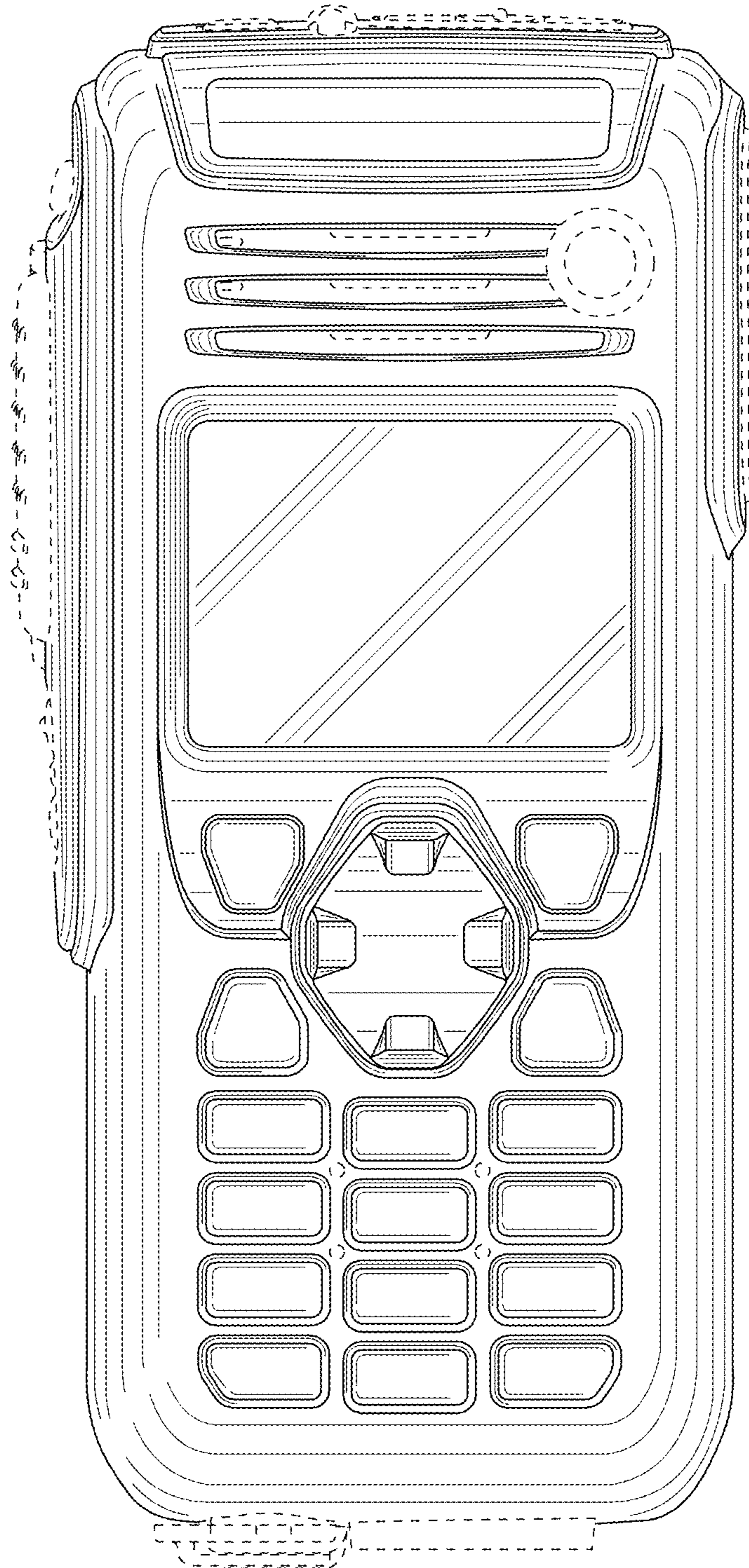
**FIG. 1**



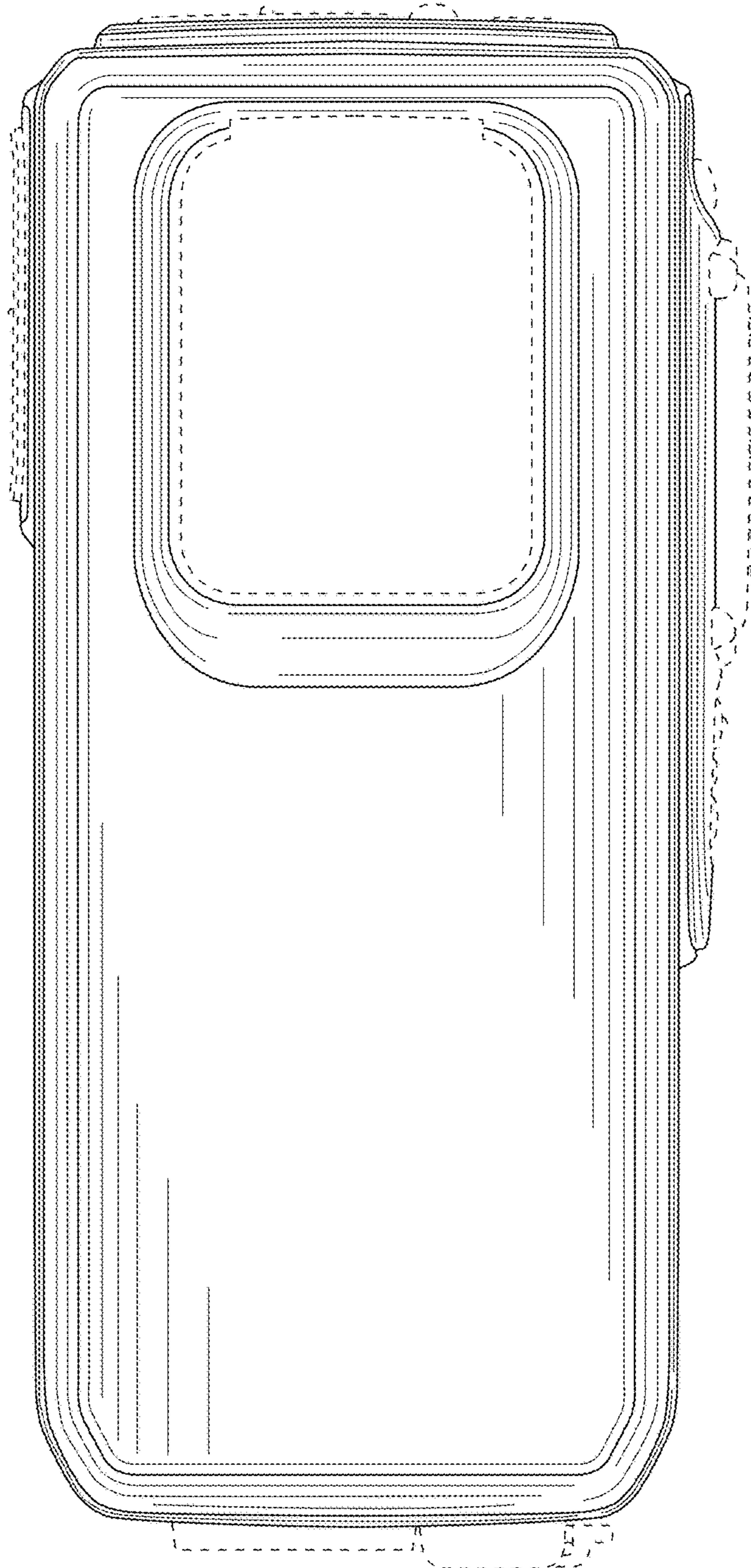
**FIG. 2**



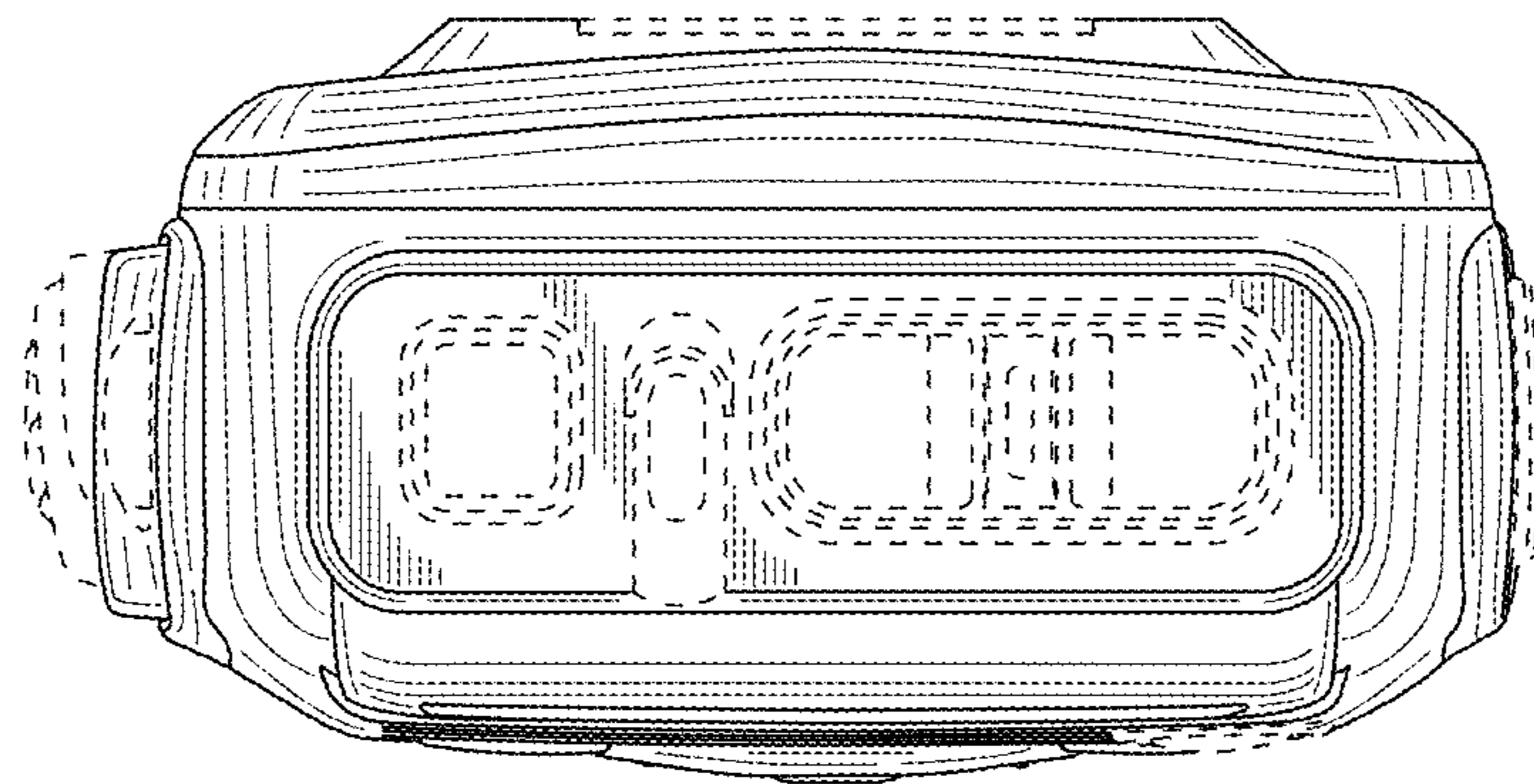
**FIG. 3**



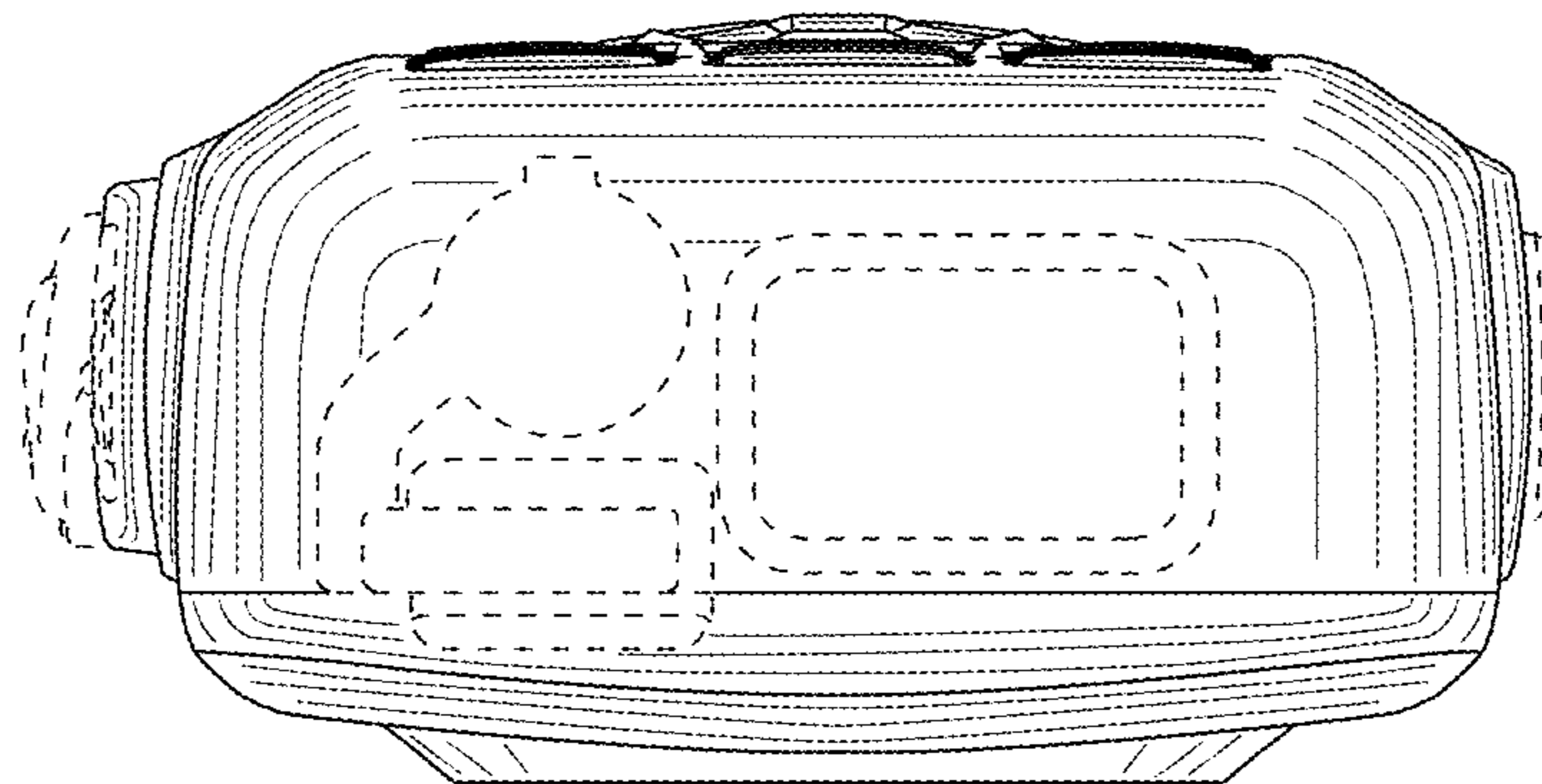
*FIG. 4*



*FIG. 5*

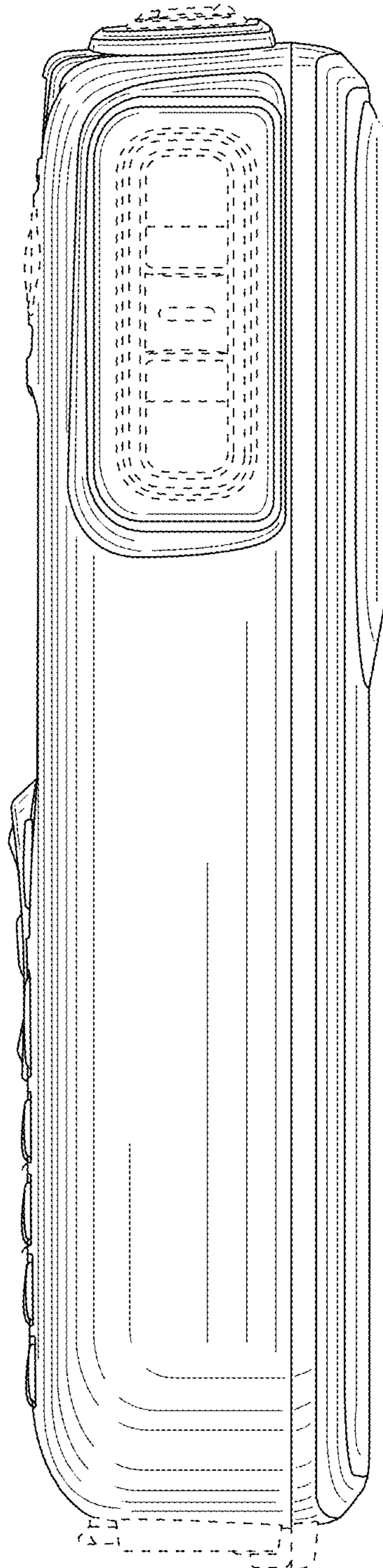


***FIG. 6***





**FIG. 7**



**FIG. 8**

