



US00D816637S

(12) **United States Design Patent**
Hardi

(10) **Patent No.:** **US D816,637 S**
(45) **Date of Patent:** **** May 1, 2018**

(54) **CONVERTIBLE WIRED OR WIRELESS
EARBUD**

(71) Applicant: **Muzik LLC**, Miami Beach, FL (US)

(72) Inventor: **Jason Hardi**, Miami Beach, FL (US)

(73) Assignee: **Muzik Inc.**, Raleigh, NC (US)

(**) Term: **15 Years**

(21) Appl. No.: **29/583,740**

(22) Filed: **Nov. 8, 2016**

(51) **LOC (11) Cl.** **14-01**

(52) **U.S. Cl.**
USPC **D14/205; D14/223**

(58) **Field of Classification Search**
USPC D14/223, 205; 181/129, 130, 135;
379/430, 431; 381/380, 381; 455/90.3,
455/575.1, 569.1

(Continued)

(56) **References Cited**

U.S. PATENT DOCUMENTS

2,510,344 A * 6/1950 Law G03B 21/625
359/457
D179,150 S * 11/1956 Norris D14/192

(Continued)

Primary Examiner — Paula Allen Greene

(74) *Attorney, Agent, or Firm* — Ward and Smith, P.A.

(57) **CLAIM**

The ornamental design for convertible wired or wireless earbud according to my invention, as shown and described herein.

DESCRIPTION

FIG. 1 is a perspective view of the ornamental design for a first embodiment of convertible wired or wireless earbud according to my invention;

FIG. 2 is a side view of the ornamental design for the first embodiment of convertible wired or wireless earbud according to my invention;

FIG. 3 is an opposing side view of the ornamental design for the first embodiment of convertible wired or wireless earbud according to my invention;

FIG. 4 is a front view of the ornamental design for the first embodiment of convertible wired or wireless earbud according to my invention;

FIG. 5 is a rear view of the ornamental design for the first embodiment of convertible wired or wireless earbud according to my invention;

FIG. 6 is a top view of the ornamental design for the first embodiment of convertible wired or wireless earbud according to my invention;

FIG. 7 is a bottom view of the ornamental design for the first embodiment of convertible wired or wireless earbud according to my invention;

FIG. 8 is a perspective view the ornamental design for a second embodiment of convertible wired or wireless earbud according to my invention;

FIG. 9 is a side view of the ornamental design for the second embodiment of convertible wired or wireless earbud according to my invention;

FIG. 10 is an opposing side view of the ornamental design for the second embodiment of convertible wired or wireless earbud according to my invention;

FIG. 11 is a front view of the ornamental design for the second embodiment of convertible wired or wireless earbud according to my invention;

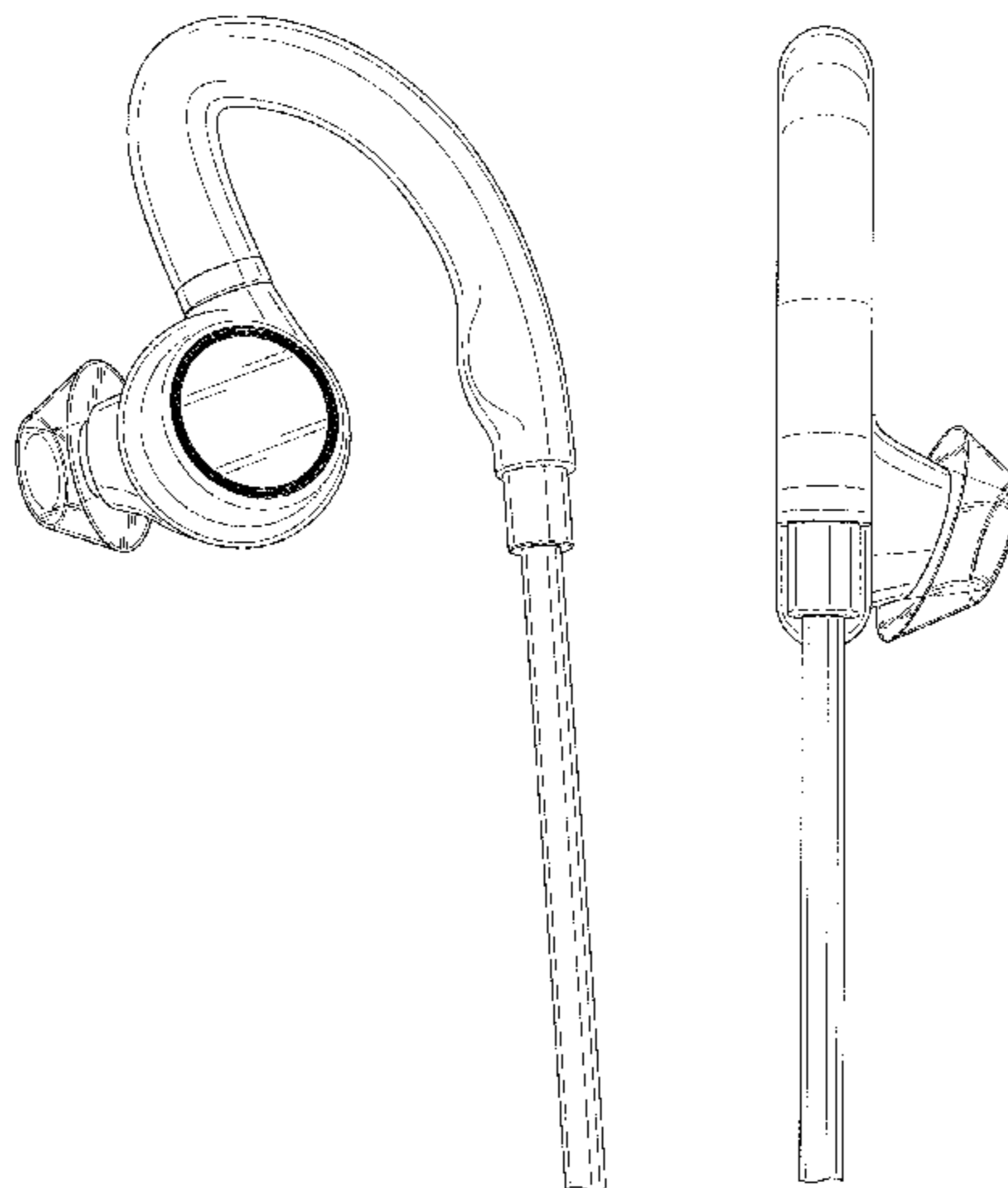
FIG. 12 is a rear view of the ornamental design for the second embodiment of convertible wired or wireless earbud according to my invention;

FIG. 13 is a top view of the ornamental design for the second embodiment of convertible wired or wireless earbud according to my invention; and,

FIG. 14 is a bottom view of the ornamental design for the second embodiment of convertible wired or wireless earbud according to my invention.

The broken lines are illustrative of environmental structure only and form no part of the claimed design.

1 Claim, 14 Drawing Sheets



(58) **Field of Classification Search**
 CPC H04R 1/10; H04R 25/00; H04R 1/1066;
 H04R 1/1016; H04R 5/033; H04R
 5/0335; H04R 1/1091; H04R 1/105
 See application file for complete search history.

(56) **References Cited**

U.S. PATENT DOCUMENTS

4,335,281 A * 6/1982 Scott H04M 1/05
 379/430
 4,419,770 A * 12/1983 Yagi G04B 47/025
 368/10
 4,791,673 A * 12/1988 Schreiber H04R 1/1075
 381/151
 5,412,736 A * 5/1995 Keliiliki H04R 1/105
 381/330
 5,625,171 A * 4/1997 Marshall H04R 1/1058
 181/130
 5,729,615 A * 3/1998 Yang H04R 1/1066
 181/129
 D419,564 S * 1/2000 McDonald D14/223
 D468,721 S * 1/2003 Nguyen D14/205
 D469,422 S * 1/2003 Nguyen D14/205
 D470,121 S * 2/2003 Nguyen D14/205
 D470,129 S * 2/2003 Hlas D14/205
 6,772,853 B2 * 8/2004 Yang H04R 1/1066
 181/129
 D501,196 S * 1/2005 Dyer D14/205
 D504,673 S * 5/2005 Dyer D14/205
 D506,462 S * 6/2005 Han D14/205
 D512,984 S * 12/2005 Ham D14/205
 D521,492 S * 5/2006 Ham D14/205
 D531,169 S * 10/2006 Tokioka D14/223
 D535,975 S * 1/2007 Brennwald D14/206
 D539,266 S * 3/2007 Bentley D14/205
 D541,787 S * 5/2007 Ma D14/205

D543,968 S * 6/2007 Wong D14/205
 7,346,180 B2 * 3/2008 Ham H04R 1/105
 381/370
 D573,137 S * 7/2008 Polito D14/223
 D599,329 S * 9/2009 Champkins D14/223
 D601,126 S * 9/2009 Christopher D14/206
 D603,847 S * 11/2009 Chung D14/223
 D617,780 S * 6/2010 Jaakkola D14/223
 7,778,410 B2 * 8/2010 Liu H04M 1/05
 379/430
 7,925,037 B2 * 4/2011 Te Riet H04M 1/05
 381/330
 D642,163 S * 7/2011 Lee D14/223
 D643,418 S * 8/2011 Lee D14/223
 8,391,536 B2 * 3/2013 Hashimoto H04R 1/1016
 381/370
 D699,213 S * 2/2014 Burgett D14/205
 D710,333 S * 8/2014 Davies H04R 1/10
 D14/223
 D718,286 S * 11/2014 Yang D14/223
 D718,745 S * 12/2014 Thompson D14/223
 D746,792 S * 1/2016 Kim D14/205
 D755,159 S * 5/2016 Birger D14/206
 D762,190 S * 7/2016 Levine D14/205
 D776,634 S * 1/2017 Lee D14/205
 D777,149 S * 1/2017 Bonahoom D14/223
 D779,462 S * 2/2017 Birger D14/223
 D793,360 S * 8/2017 Birger D14/206
 2002/0106100 A1 * 8/2002 Kao H04M 1/05
 381/381
 2004/0264720 A1 * 12/2004 Huang H04M 1/05
 381/315
 2007/0098201 A1 * 5/2007 Chen H04R 1/1016
 381/380
 2008/0188179 A1 * 8/2008 Liu H04R 1/1066
 455/41.2
 2013/0010997 A1 * 1/2013 Tanaka A61B 5/01
 381/380

* cited by examiner

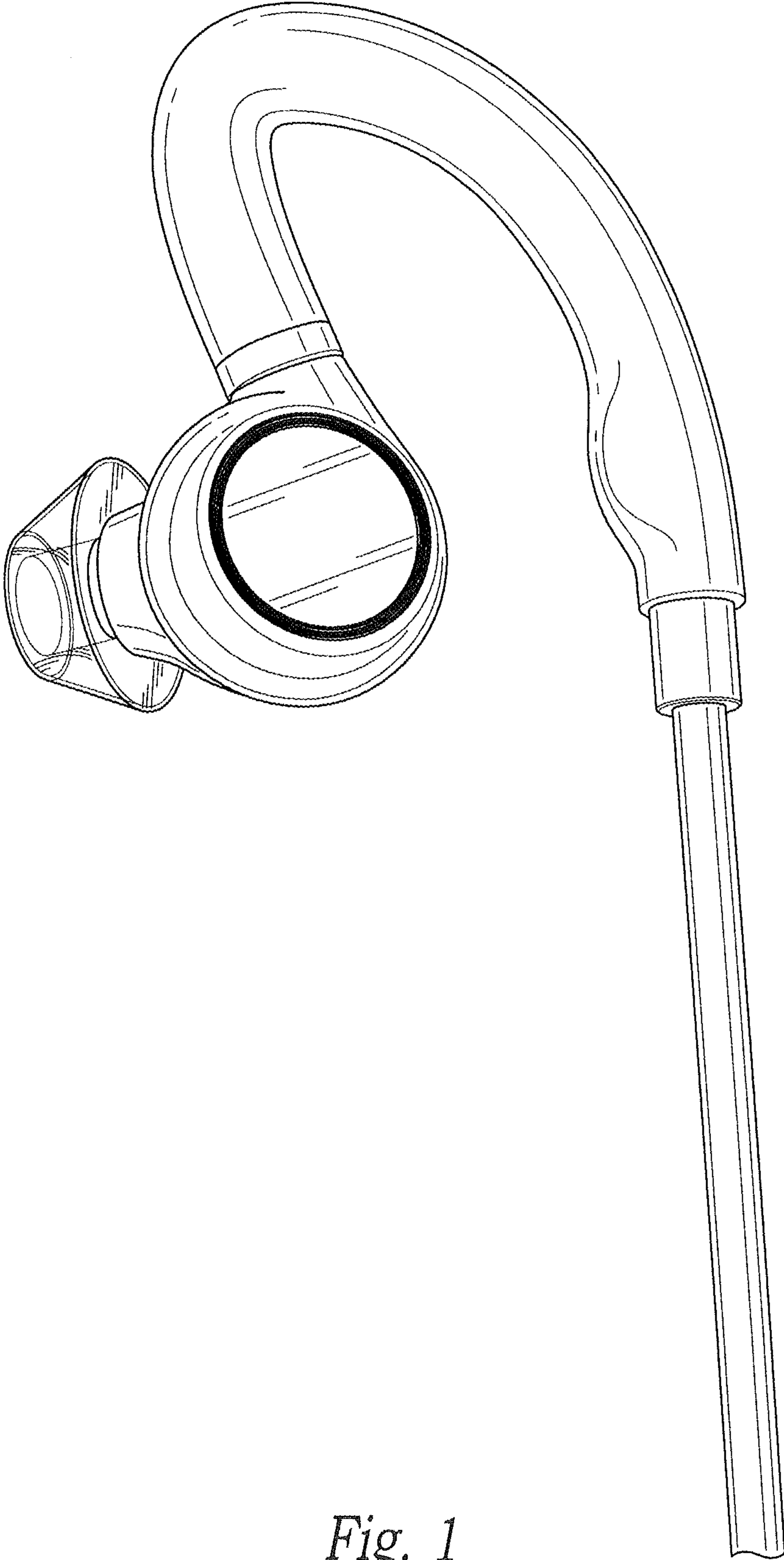


Fig. 1

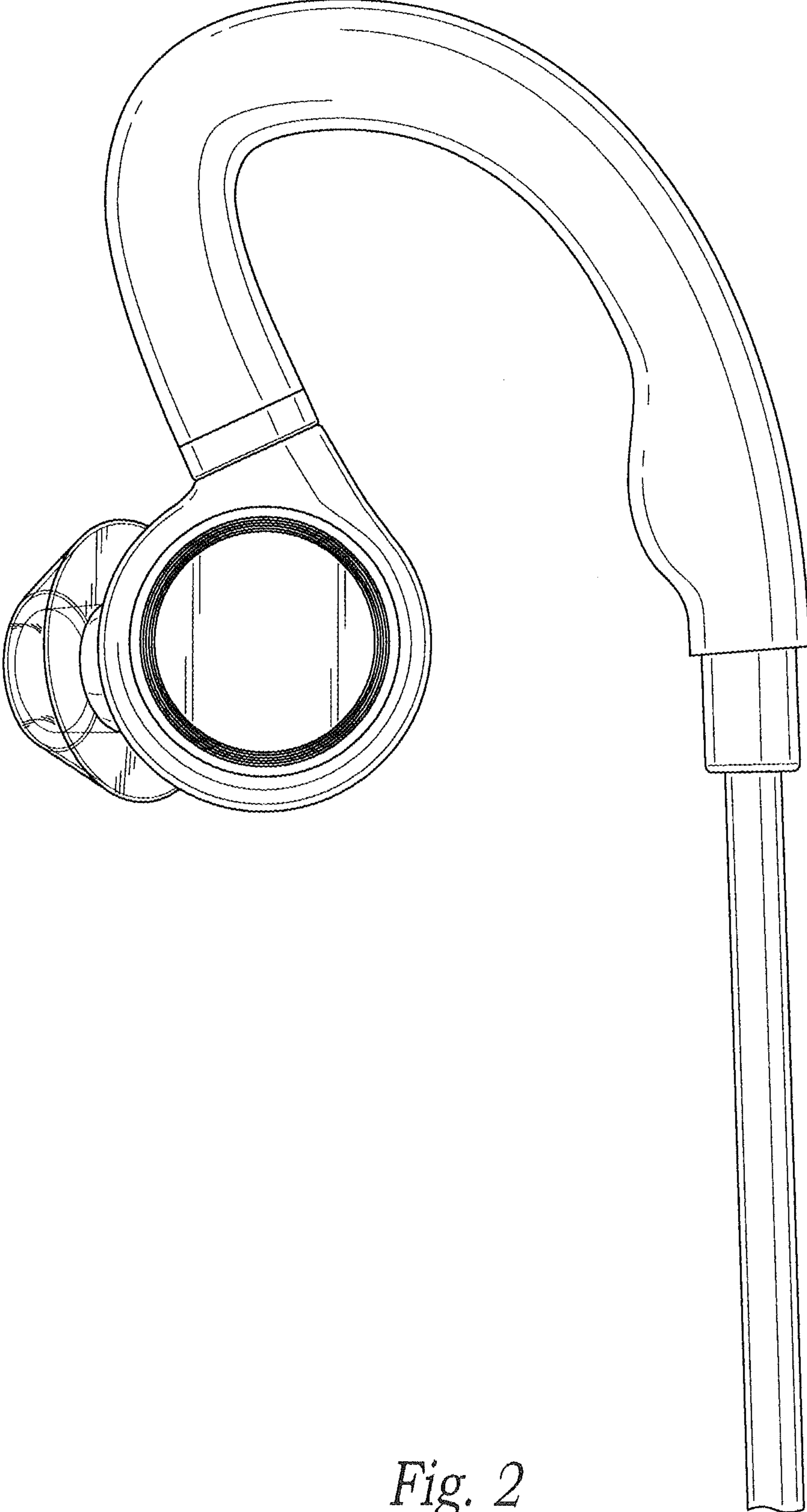


Fig. 2

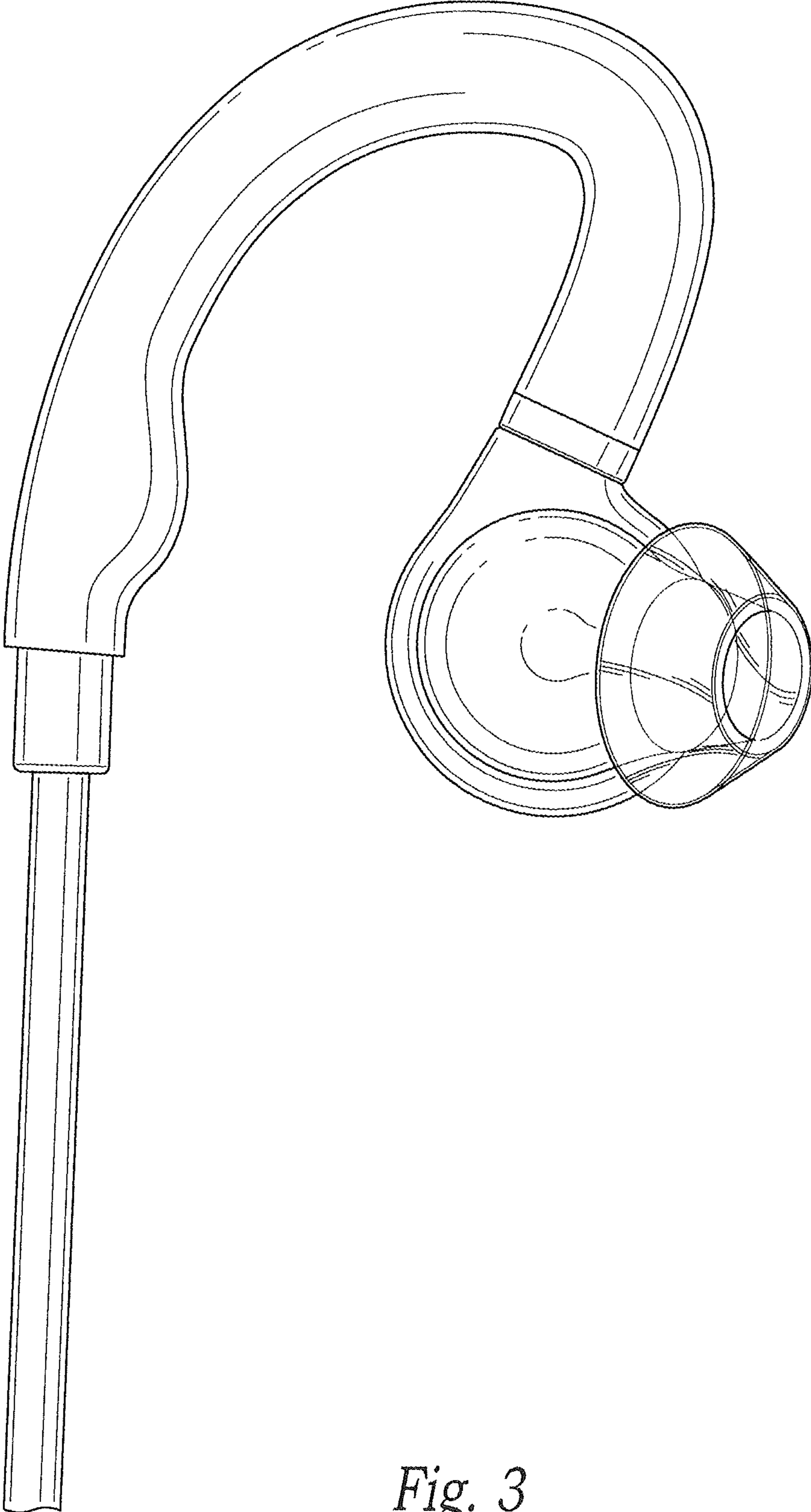


Fig. 3

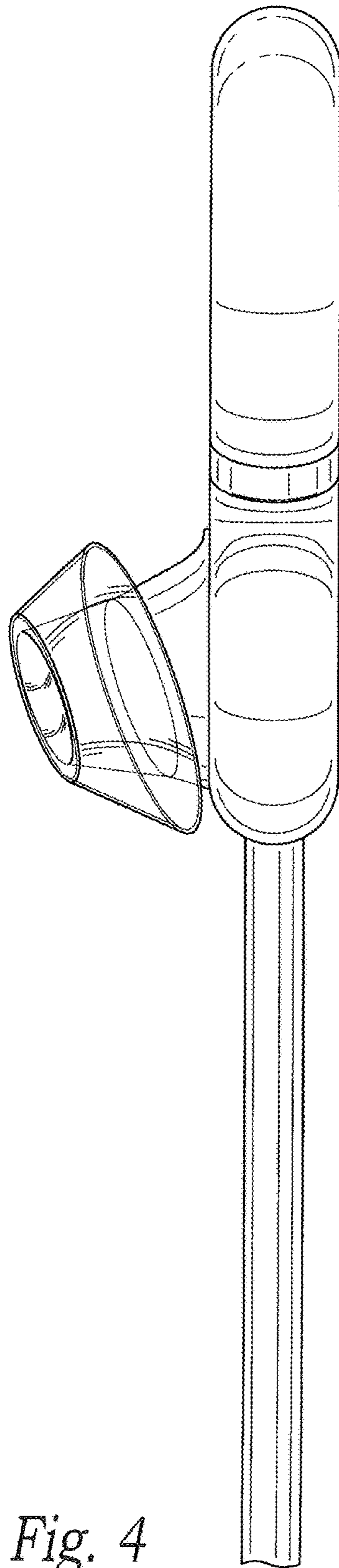


Fig. 4

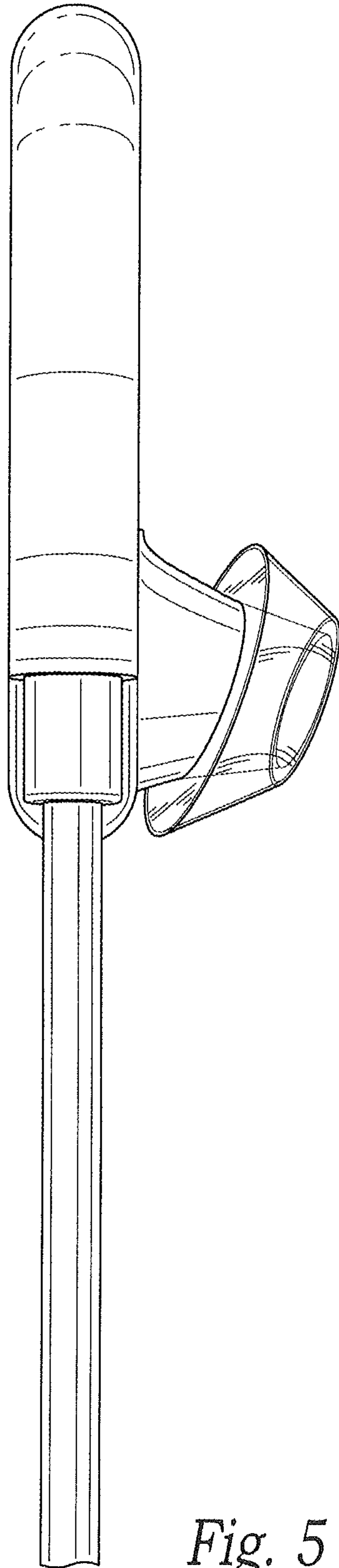


Fig. 5

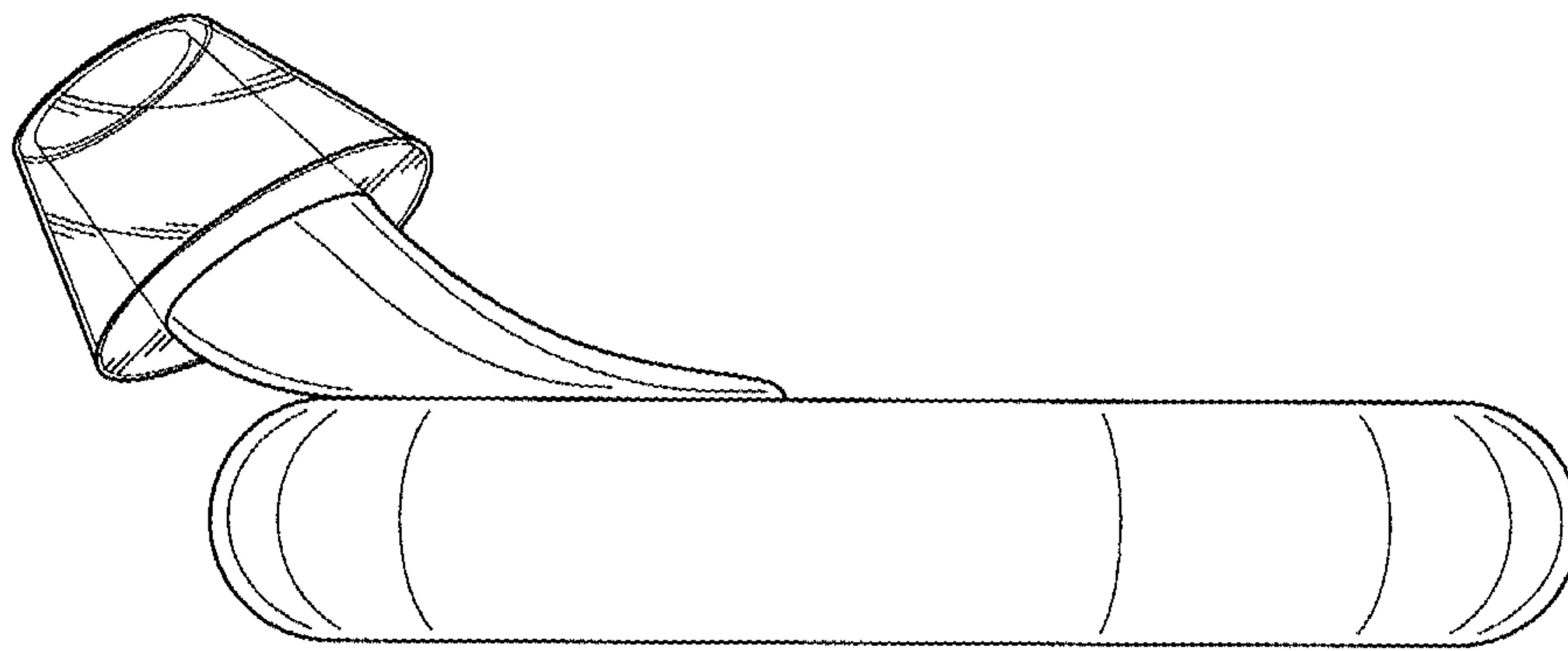


Fig. 6

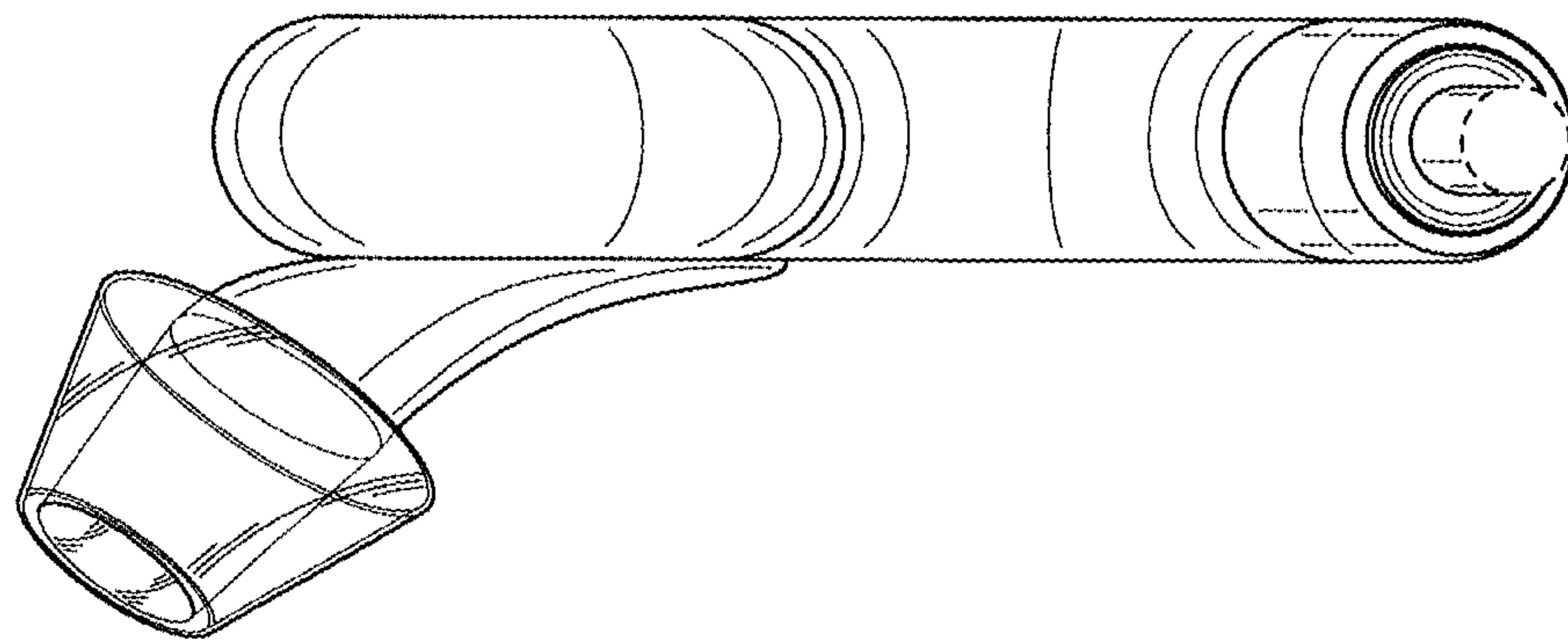


Fig. 7

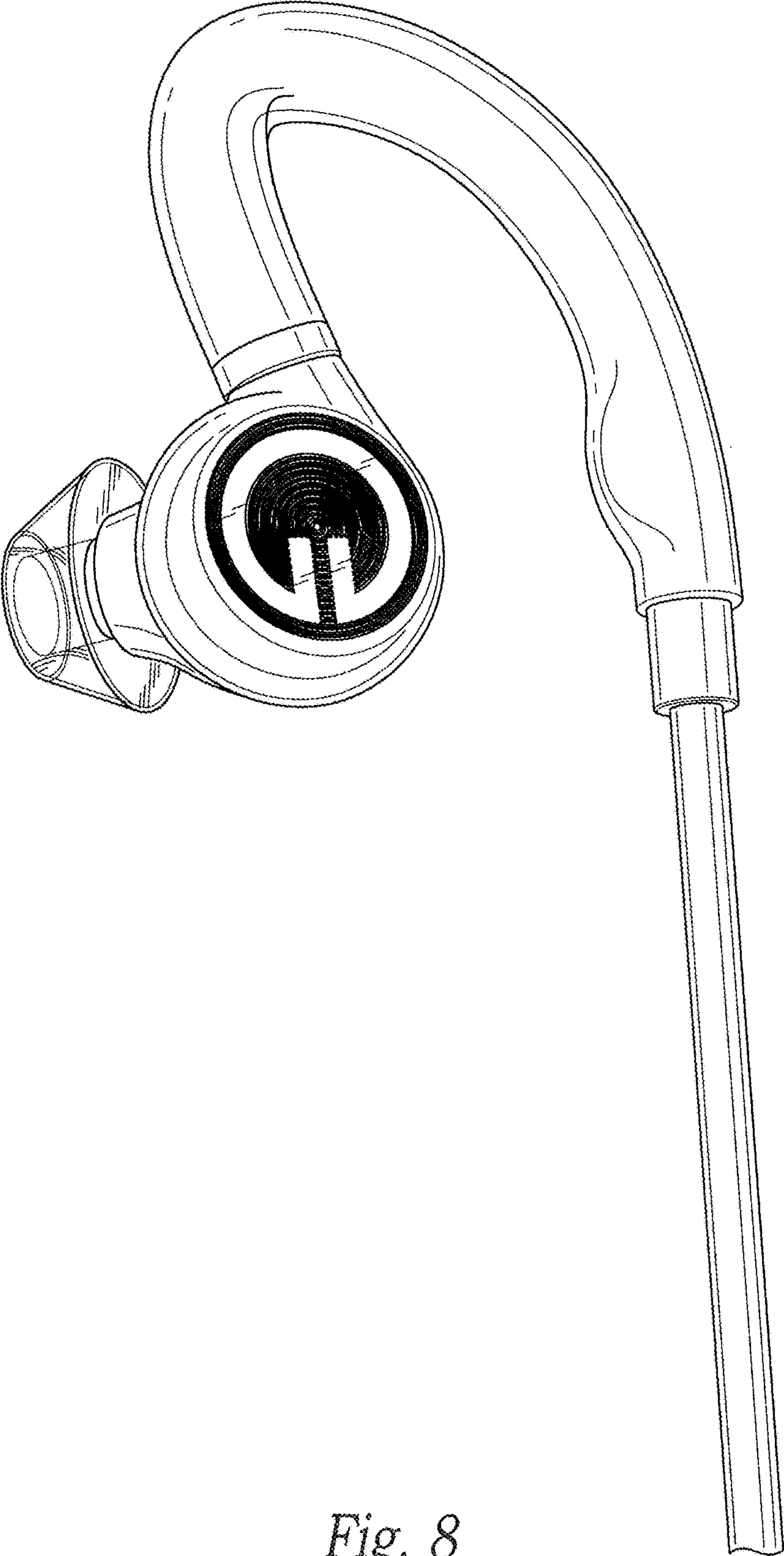


Fig. 8

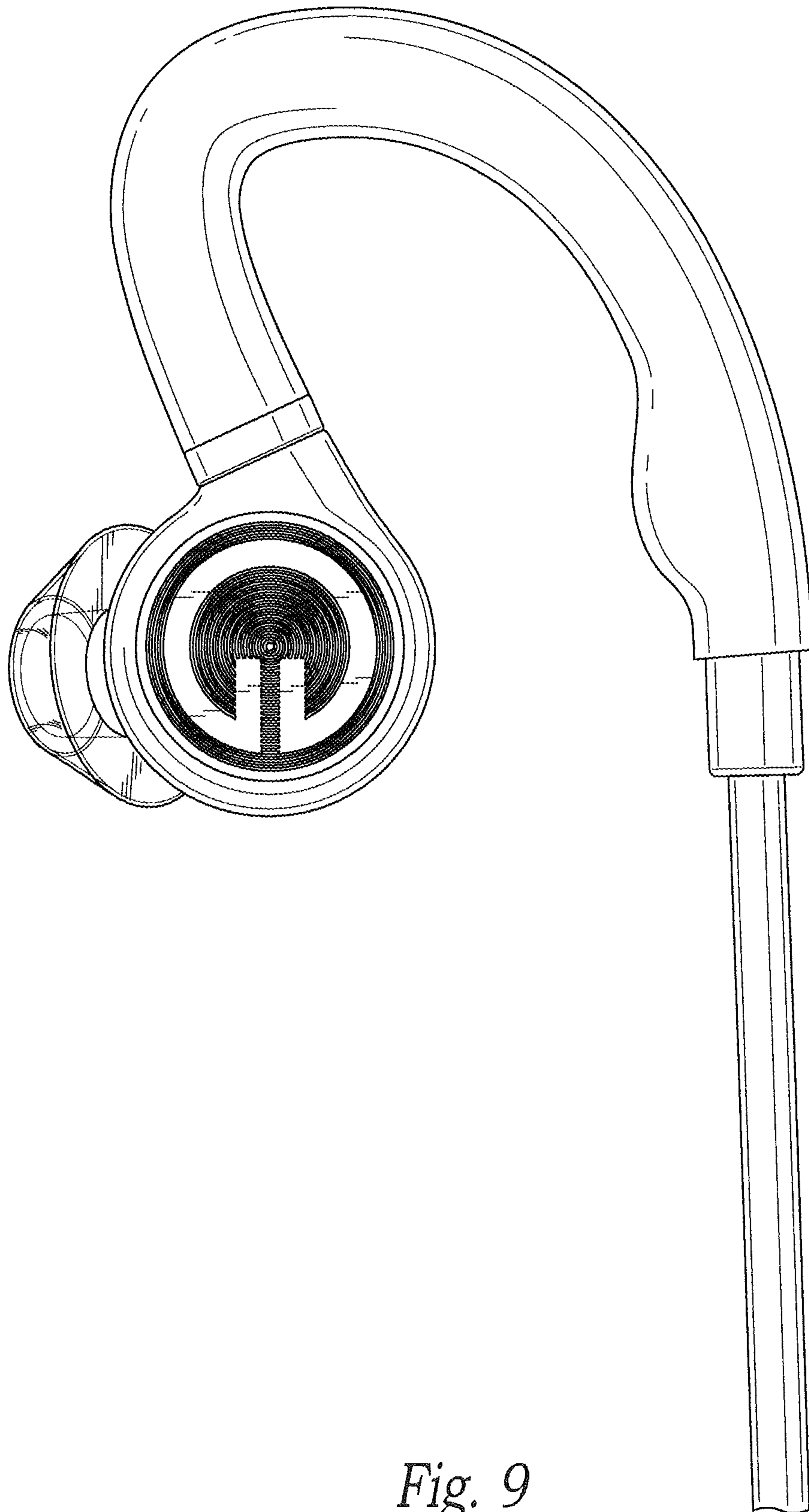


Fig. 9

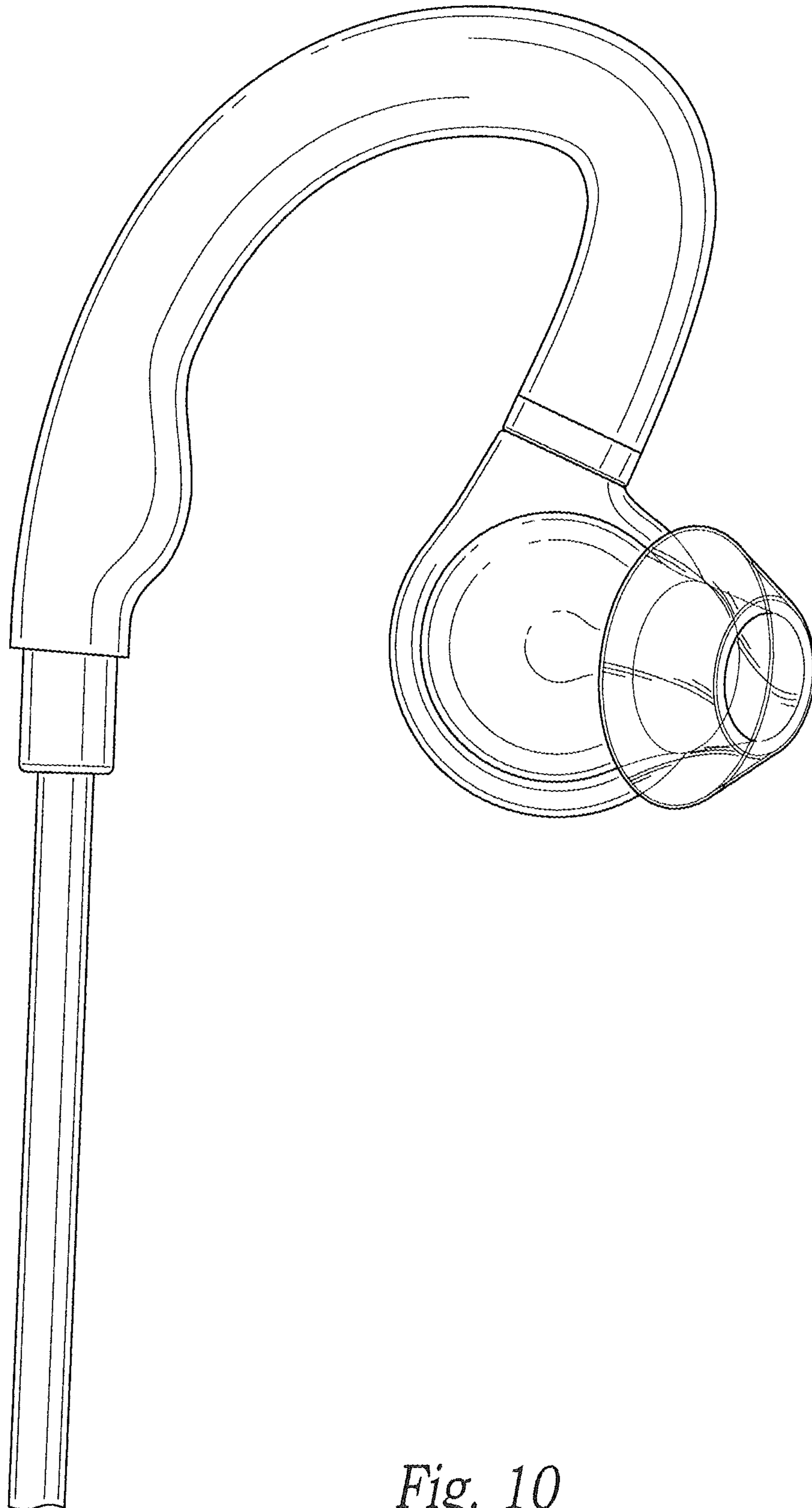


Fig. 10

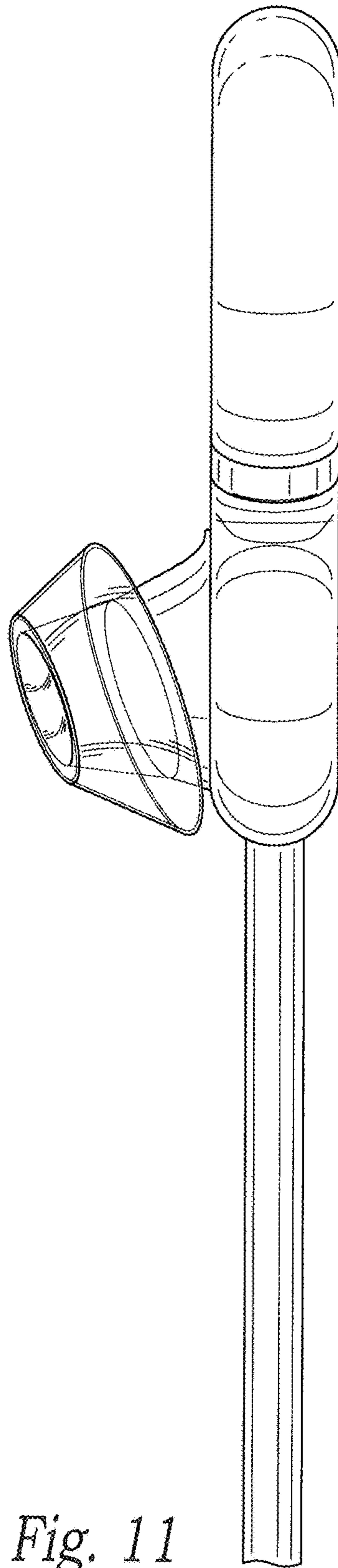


Fig. 11

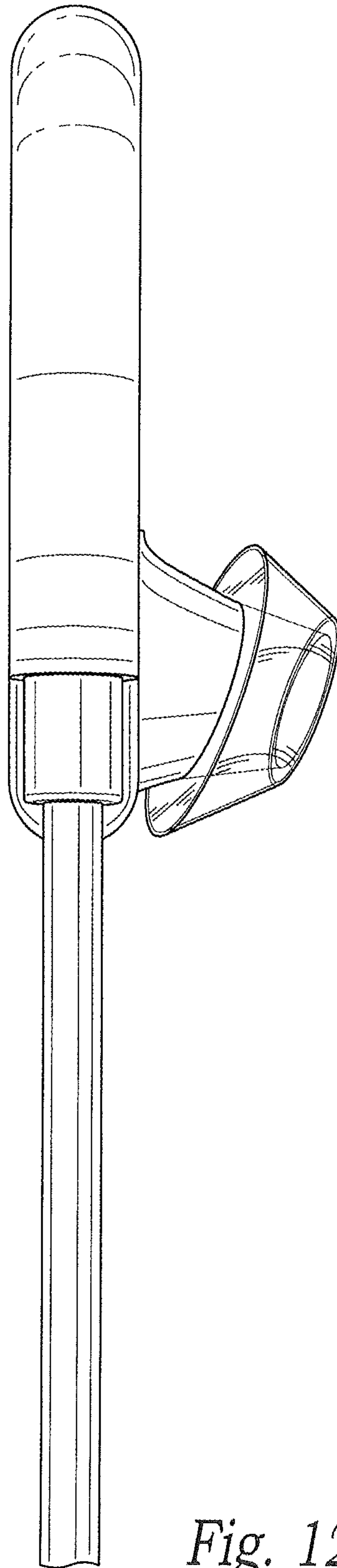


Fig. 12

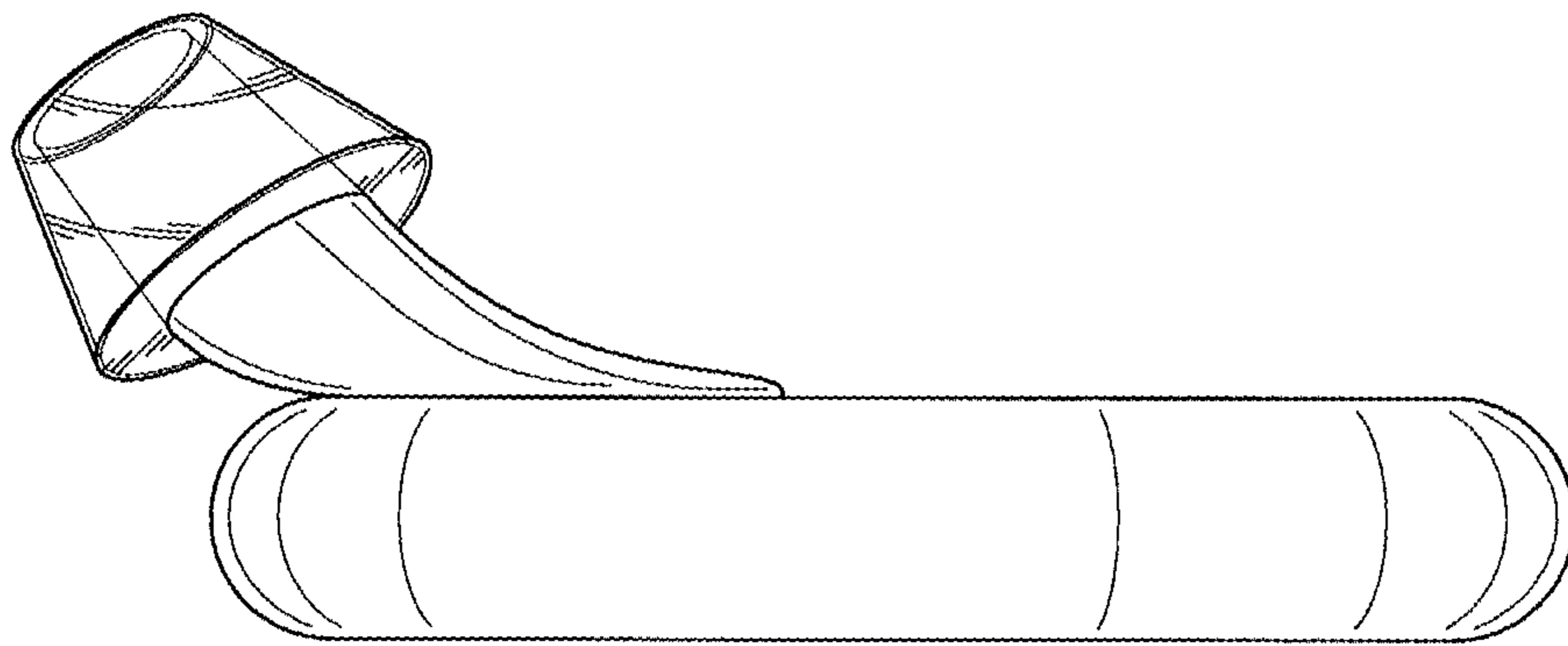


Fig. 13

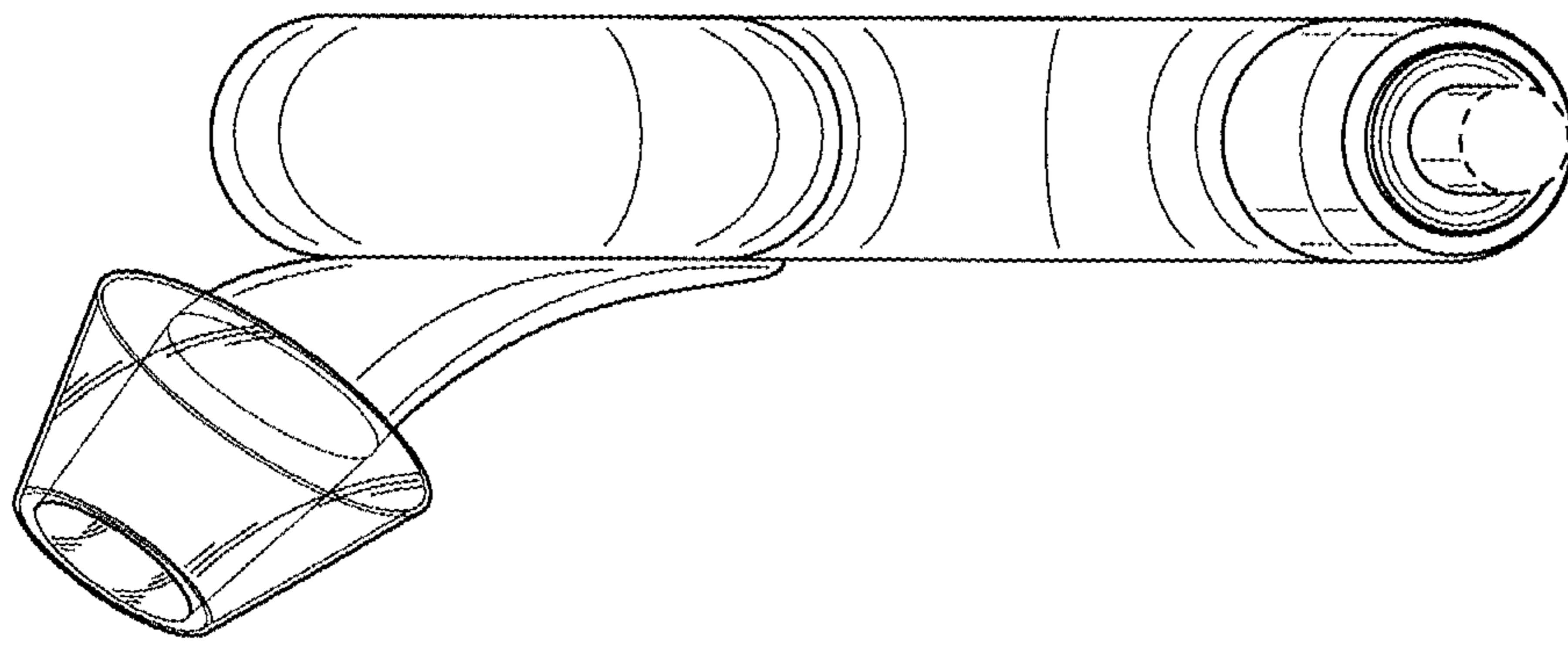


Fig. 14