



US00D816634S

(12) **United States Design Patent**  
**Nagao**

(10) **Patent No.:** **US D816,634 S**

(45) **Date of Patent:** **\*\* May 1, 2018**

(54) **MOBILE PHONE**

(71) Applicant: **KYOCERA Corporation**, Kyoto-shi,  
Kyoto (JP)

(72) Inventor: **Tomomi Nagao**, Kawasaki (JP)

(73) Assignee: **KYOCERA Corporation**, Kyoto-shi,  
Kyoto (JP)

(\*\*) Term: **15 Years**

(21) Appl. No.: **29/585,506**

(22) Filed: **Nov. 24, 2016**

(30) **Foreign Application Priority Data**

Oct. 21, 2016 (JP) ..... 2016-022924

(51) **LOC (11) Cl.** ..... **14-03**

(52) **U.S. Cl.**  
USPC ..... **D14/138 AB**

(58) **Field of Classification Search**  
USPC ..... D14/138 AB, 345, 203.4, 138 R, 496,  
D14/341; 455/575.3; D21/517

CPC .... H04M 1/0216; H04M 1/0214; H04M 1/03;  
G06F 1/1616

See application file for complete search history.

(56) **References Cited**

**U.S. PATENT DOCUMENTS**

D559,213 S *	1/2008	Fahlgren	.....	D14/138 AB
D582,879 S *	12/2008	Chung	.....	D14/138 AB
D584,265 S *	1/2009	Lee	.....	D14/138 AB
D585,866 S *	2/2009	Ku	.....	D14/138 AB
D586,324 S *	2/2009	Lee	.....	D14/138 AB
D607,857 S *	1/2010	Kim	.....	D14/138 AB
D615,064 S *	5/2010	Kim	.....	D14/138 AB
D615,065 S *	5/2010	Kim	.....	D14/138 AB
D630,177 S *	1/2011	Park	.....	D14/138 AB
D630,603 S *	1/2011	Lee	.....	D14/138 AB
D635,114 S *	3/2011	Asabu	.....	D14/138 AB

D635,542 S *	4/2011	Park	.....	D14/138 AB
D645,019 S *	9/2011	Kim	.....	D14/138 AB
D647,871 S *	11/2011	Han	.....	D14/138 AB
D647,874 S *	11/2011	Park	.....	D14/138 AB
D648,306 S *	11/2011	Koh	.....	D14/138 AB
D652,014 S *	1/2012	Kim	.....	D14/138 AB
D666,568 S *	9/2012	Puranen	.....	D14/138 AB
8,489,141 B2 *	7/2013	Tanaka	.....	H01H 13/702 455/418

(Continued)

**OTHER PUBLICATIONS**

Kyocera Cadence LTE, announced Sep. 1, 2017, [online], [site visited Feb. 20, 2018]. Available from Internet, <URL: [https://www.phonearena.com/phones/Kyocera-Cadence-LTE\\_id10675](https://www.phonearena.com/phones/Kyocera-Cadence-LTE_id10675)>.\*

(Continued)

*Primary Examiner* — Jeffrey D Asch

(74) *Attorney, Agent, or Firm* — Kenja IP Law PC

(57) **CLAIM**

The ornamental design for a mobile phone, as shown and described.

**DESCRIPTION**

FIG. 1 is a front perspective view of a mobile phone showing my new design;

FIG. 2 is a front view thereof;

FIG. 3 is a rear view thereof;

FIG. 4 is a top plan view thereof;

FIG. 5 is a bottom view thereof;

FIG. 6 is a right side view thereof;

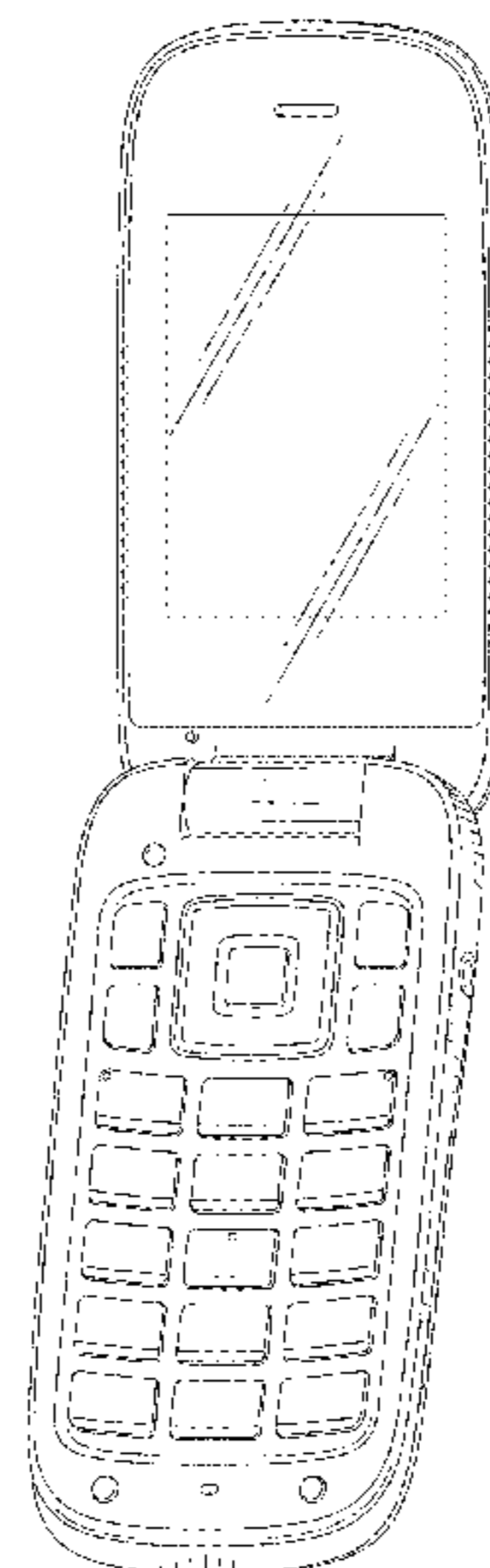
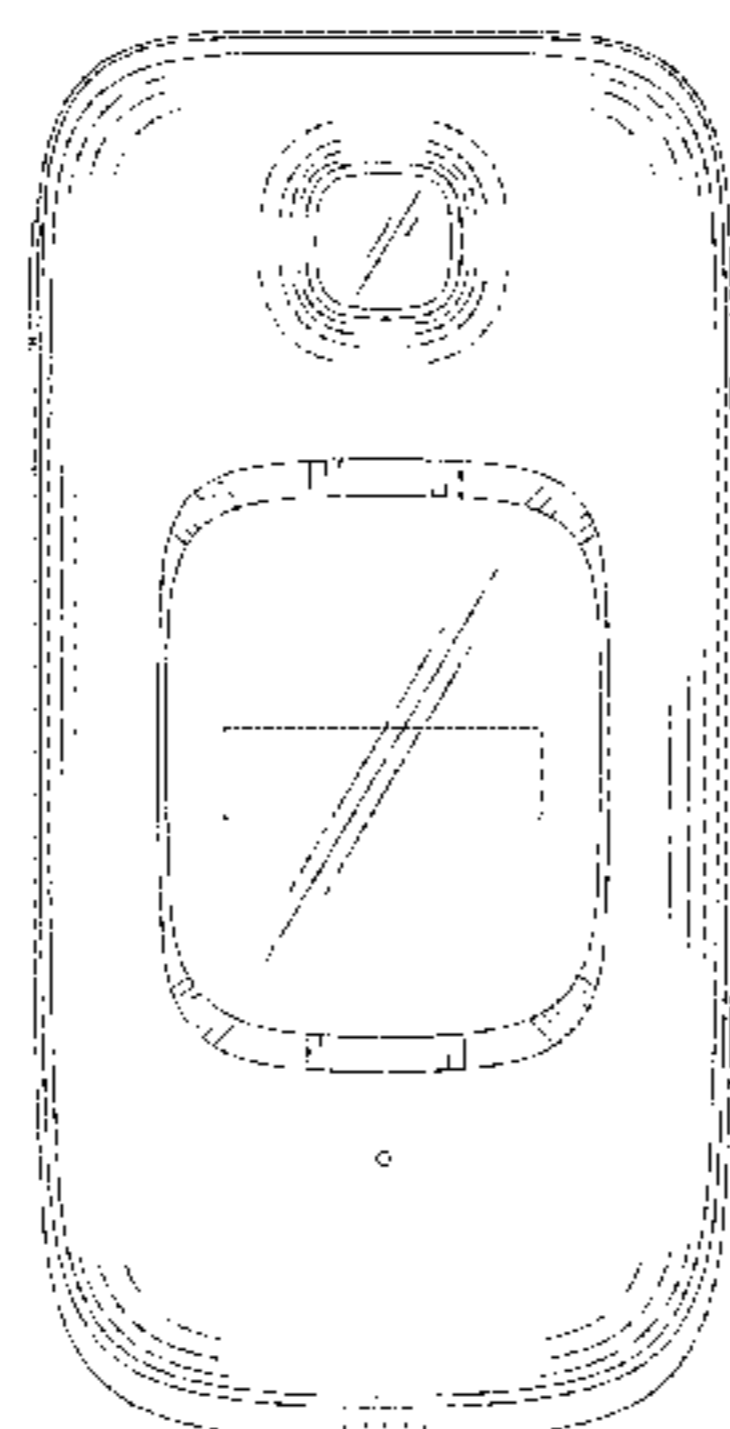
FIG. 7 is a left side view thereof; and

FIG. 8 is a front perspective view of thereof, showing the mobile phone opened;

FIG. 9 is a rear perspective view thereof, showing the mobile phone opened; and,

FIG. 10 is a front view thereof, showing the mobile phone opened.

**1 Claim, 10 Drawing Sheets**



(56)

**References Cited**

U.S. PATENT DOCUMENTS

D707,643	S	*	6/2014	Park	.....	D14/138	AB
D709,471	S	*	7/2014	Okabe	.....	D14/138	AB
D711,847	S	*	8/2014	Puranen	.....	D14/138	AB
D749,540	S	*	2/2016	Lee	.....	D14/138	AB
D786,211	S	*	5/2017	Puranen	.....	D14/138	AB
2007/0178949	A1	*	8/2007	Sato	.....	H04M 1/0216	455/575.3

OTHER PUBLICATIONS

Samsung Denim, posted Jun. 10, 2014, [online], [site visited Feb. 20, 2018]. Available from Internet, <URL: [https://www.phonearena.com/phones/Samsung-Denim\\_id8722](https://www.phonearena.com/phones/Samsung-Denim_id8722)>.\*

LG Revere 3, posted Aug. 6, 2014, [online], [site visited Feb. 20, 2018]. Available from Internet, <URL: [https://www.phonearena.com/phones/LG-Revere-3\\_id8801](https://www.phonearena.com/phones/LG-Revere-3_id8801)>.\*

Samsung C3590, posted Oct. 17, 2013, [online], [site visited Feb. 20, 2018]. Available from Internet, <URL: [https://www.phonearena.com/phones/Samsung-C3590\\_id8544](https://www.phonearena.com/phones/Samsung-C3590_id8544)>.\*

Samsung S275G, posted Feb. 19, 2013, [online], [site visited Feb. 20, 2018]. Available from Internet, <URL: [https://www.phonearena.com/phones/Samsung-S275G\\_id7722](https://www.phonearena.com/phones/Samsung-S275G_id7722)>.\*

Samsung M400, posted Oct. 15, 2012, [online], [site visited Feb. 20, 2018]. Available from Internet, <URL: [https://www.phonearena.com/phones/Samsung-M400\\_id7541](https://www.phonearena.com/phones/Samsung-M400_id7541)>.\*

Samsung T159, posted Jun. 21, 2012, [online], [site visited Feb. 20, 2018]. Available from Internet, <URL: [https://www.phonearena.com/phones/Samsung-T159\\_id7207](https://www.phonearena.com/phones/Samsung-T159_id7207)>.\*

Samsung Gusto 2, posted Apr. 19, 2012, [online], [site visited Feb. 20, 2018]. Available from Internet, <URL: [https://www.phonearena.com/phones/Samsung-Gusto-2\\_id7039](https://www.phonearena.com/phones/Samsung-Gusto-2_id7039)>.\*

gsmarena.com, Retrieved on Nov. 21, 2016, from URL: [http://www.gsmarena.com/lg\\_450-7133.php](http://www.gsmarena.com/lg_450-7133.php).

gsmarena.com, Retrieved on Nov. 21, 2016, from URL: [http://www.gsmarena.com/pantech\\_breeze\\_iii-4075.php](http://www.gsmarena.com/pantech_breeze_iii-4075.php).

gsmarena.com, Retrieved on Nov. 21, 2016, from URL: [http://www.gsmarena.com/samsung\\_m260\\_factor-3878.php](http://www.gsmarena.com/samsung_m260_factor-3878.php).

phonearena.com, Retrieved on Nov. 21, 2016, from URL: [http://www.phonearena.com/phones/LG-B470\\_id10004](http://www.phonearena.com/phones/LG-B470_id10004).

phonearena.com, Retrieved on Nov. 21, 2016, from URL: [http://www.phonearena.com/phones/LG-Exalt-II\\_id9664](http://www.phonearena.com/phones/LG-Exalt-II_id9664).

phonearena.com, Retrieved on Nov. 21, 2016, from URL: [http://www.phonearena.com/phones/LG-Terra\\_id9552](http://www.phonearena.com/phones/LG-Terra_id9552).

phonearena.com, Retrieved on Nov. 21, 2016, from URL: [http://www.phonearena.com/phones/Samsung-Convoy-4\\_id10025](http://www.phonearena.com/phones/Samsung-Convoy-4_id10025).

phonearena.com, Retrieved on Nov. 21, 2016, from URL: [http://www.phonearena.com/phones/ZTE-Z223\\_id10057](http://www.phonearena.com/phones/ZTE-Z223_id10057).

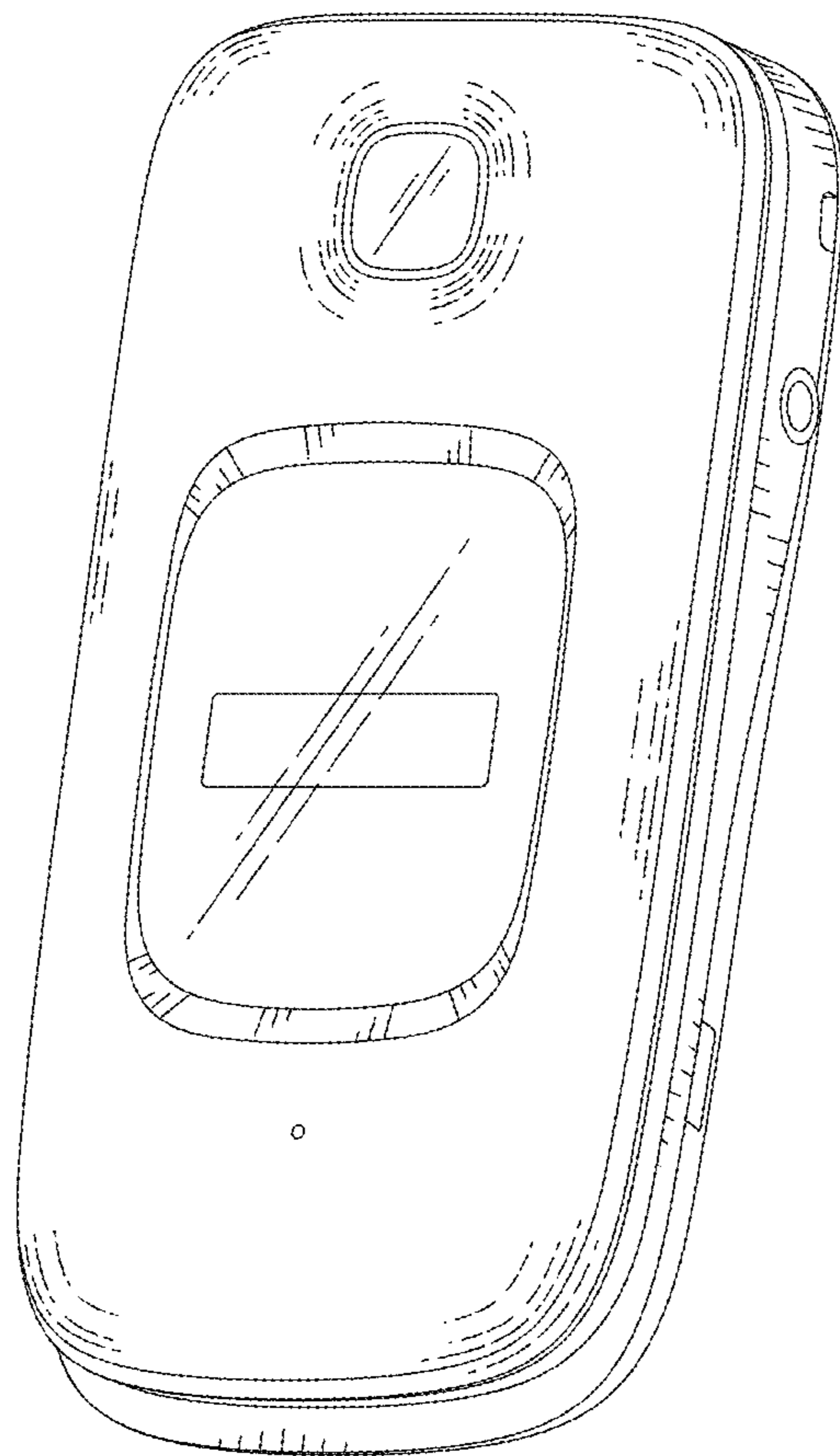
phonescoop.com, Retrieved on Nov. 21, 2016, from URL: <http://www.phonescoop.com/phones/phone.php?p=3551>.

phonescoop.com, Retrieved on Nov. 21, 2016, from URL: <http://www.phonescoop.com/phones/phone.php?p=4440>.

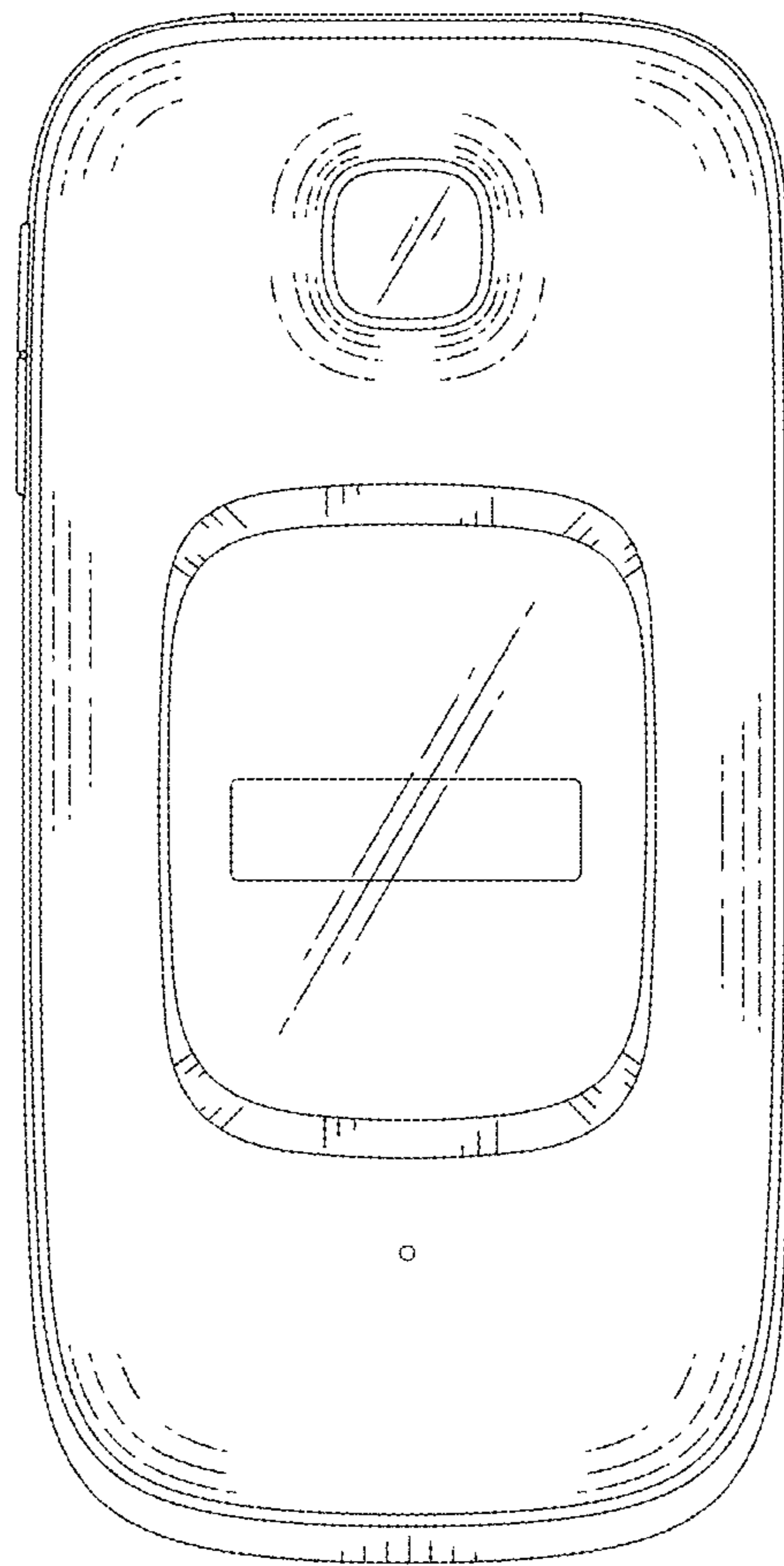
phonescoop.com, Retrieved on Nov. 21, 2016, from URL: <http://www.phonescoop.com/phones/photos.php?p=4473>.

\* cited by examiner

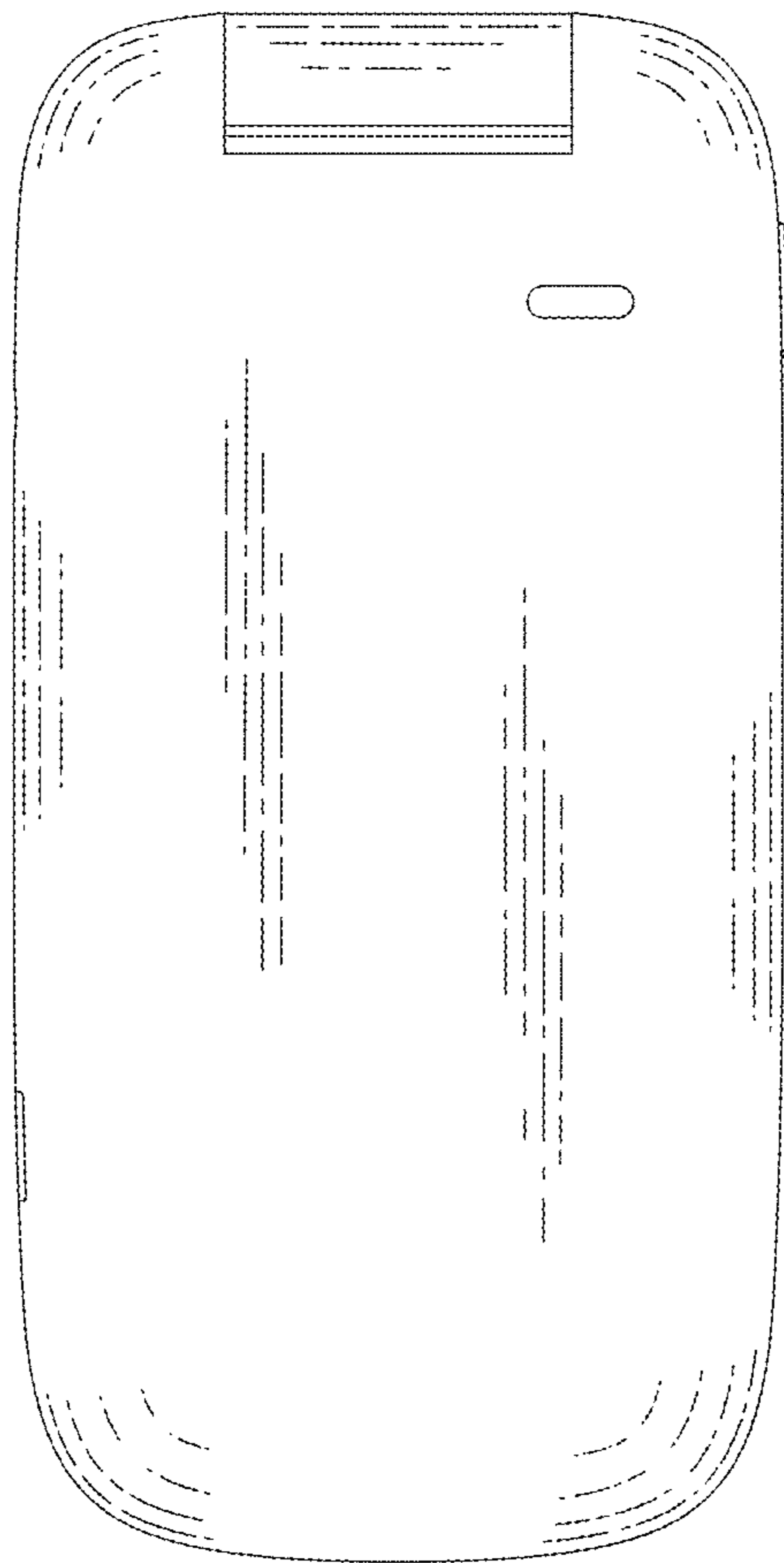
*FIG. 1*



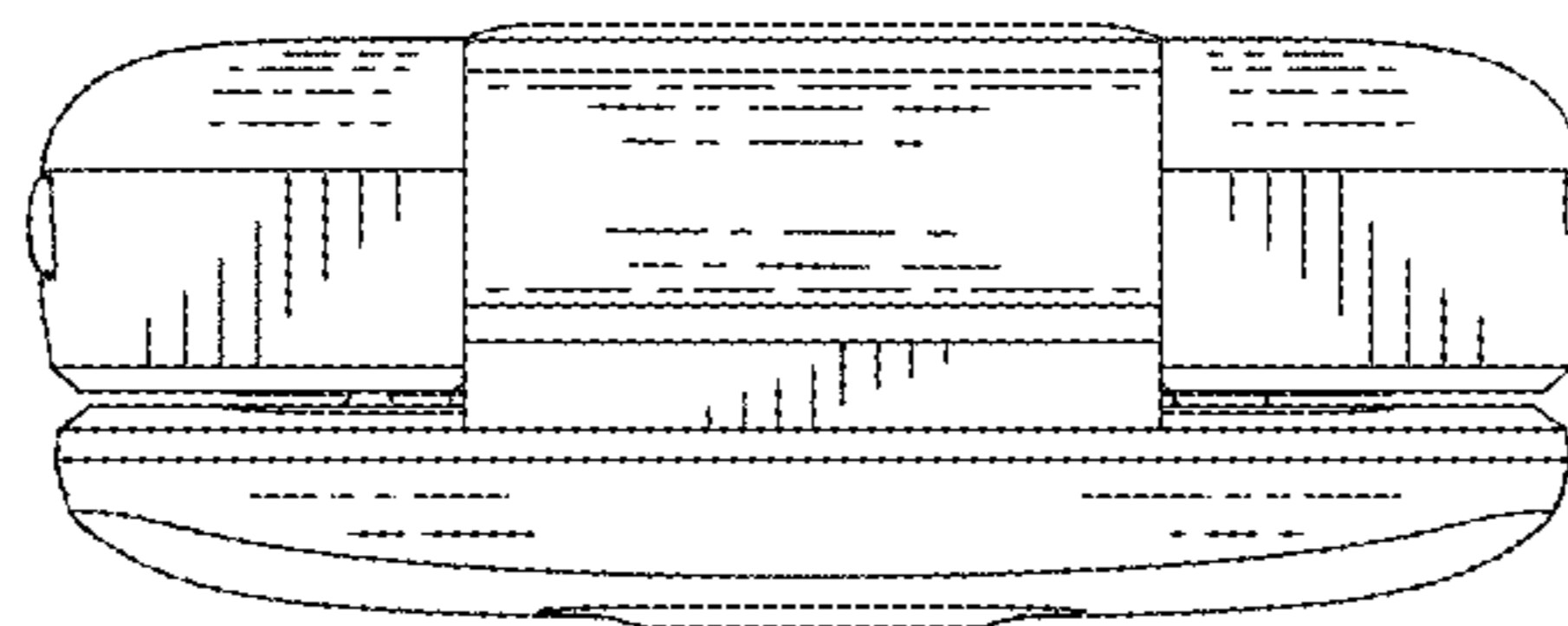
*FIG. 2*



*FIG. 3*



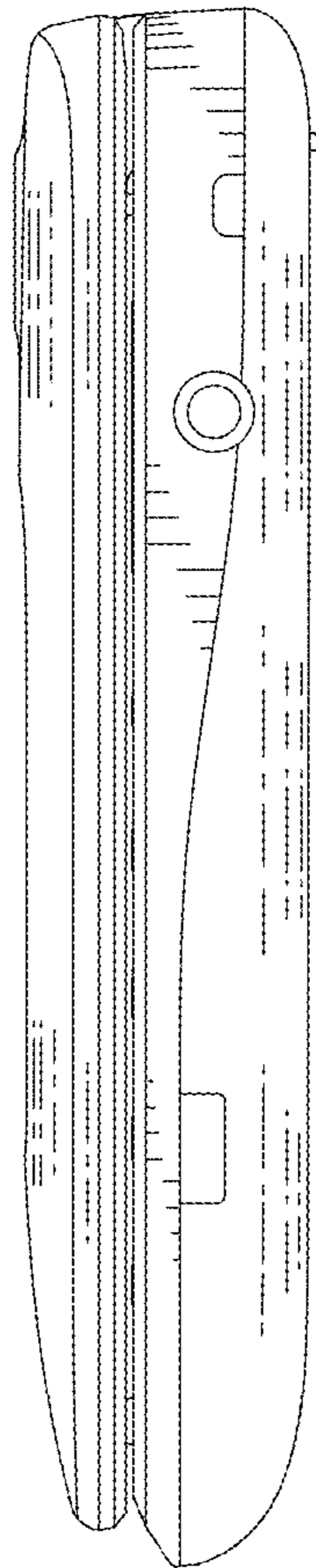
*FIG. 4*



*FIG. 5*

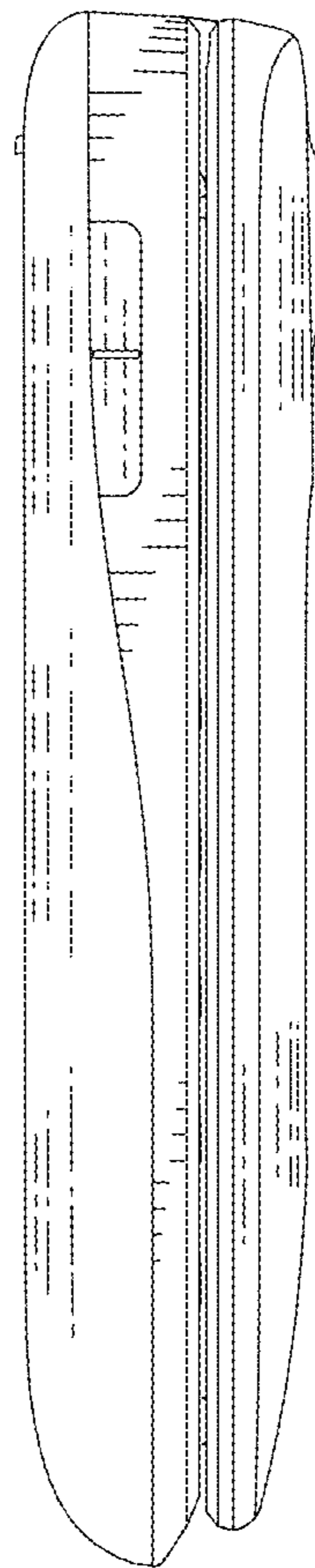


*FIG. 6*

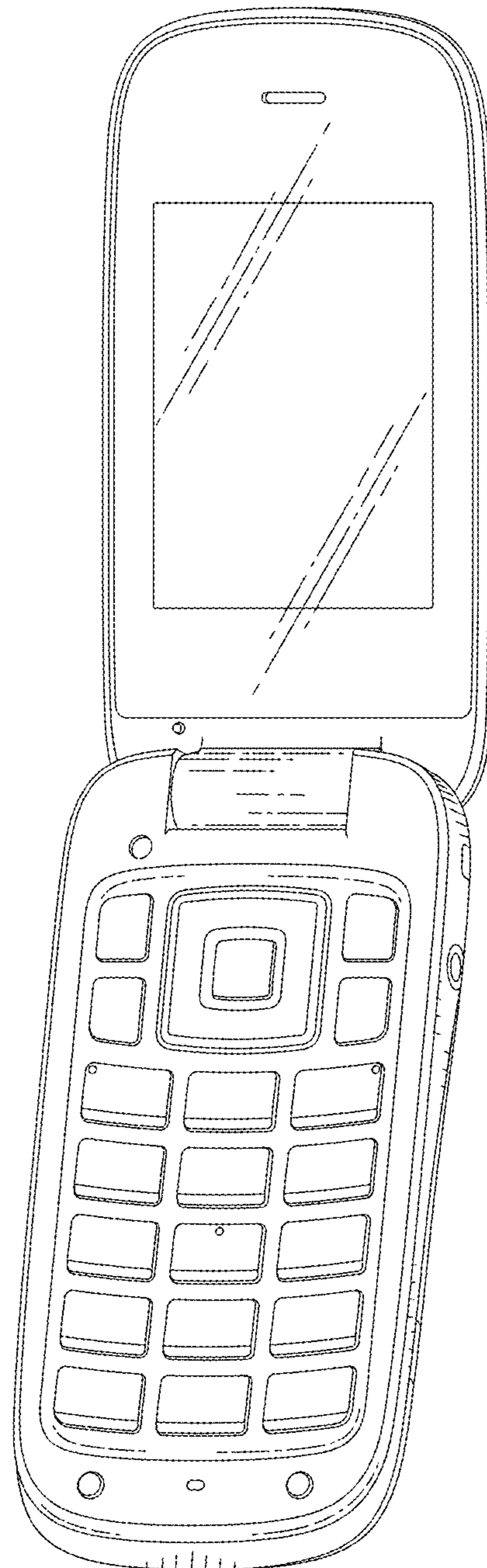




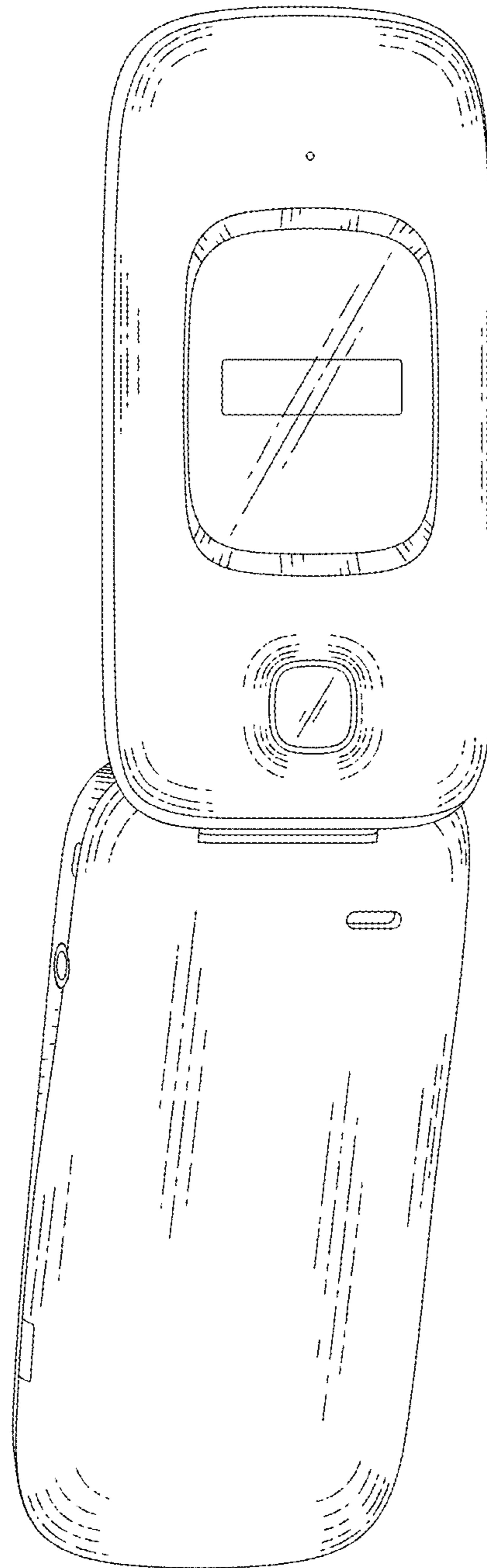
*FIG. 7*



*FIG. 8*



*FIG. 9*



*FIG. 10*

