



US00D816631S

(12) **United States Design Patent**
Kim et al.

(10) **Patent No.:** **US D816,631 S**

(45) **Date of Patent:** **** May 1, 2018**

(54) **TV RECEIVER**

(71) Applicant: **LG ELECTRONICS INC.**, Seoul (KR)

(72) Inventors: **Huisik Kim**, Seoul (KR); **Hodong Hwang**, Seoul (KR)

(73) Assignee: **LG ELECTRONICS INC.**, Seoul (KR)

(**) Term: **15 Years**

(21) Appl. No.: **35/502,742**

(22) Filed: **Oct. 6, 2016**

(80) **Hague Agreement Data**

Int. Filing Date: **Oct. 6, 2016**

Int. Reg. No.: **DM/092972**

Int. Reg. Date: **Oct. 6, 2016**

Int. Reg. Pub. Date: **Apr. 7, 2017**

(30) **Foreign Application Priority Data**

Apr. 14, 2016 (KR) 30-2016-0017663

(51) **LOC (11) Cl.** **14-03**

(52) **U.S. Cl.**
USPC **D14/126**

(58) **Field of Classification Search**
USPC D14/125-134, 239, 336, 371, 373-377,
D14/447, 448, 450, 451, 452; D21/329,
D21/332, 515; D10/26; D6/300, 310,
D6/643, 698, 700-701

CPC G06F 1/1692; G06F 1/165; G06F 1/1601;
G06F 1/1637; H04N 5/64; H05K 5/0017;
H05K 5/0204

See application file for complete search history.

(56) **References Cited**

U.S. PATENT DOCUMENTS

D626,923 S * 11/2010 Yoshimura D14/126

D694,208 S * 11/2013 Duys D14/126

D725,616 S * 3/2015 Oh D14/126
D728,498 S * 5/2015 Park D14/126
D744,444 S * 12/2015 Kim D14/126
D758,374 S * 6/2016 Kim D14/451
D758,983 S * 6/2016 Kim D14/126
D780,852 S * 3/2017 Sharp D14/203.7
D783,554 S * 4/2017 Kim D14/126
D783,612 S * 4/2017 Kim D14/374
D796,463 S * 9/2017 So D14/126
D801,337 S * 10/2017 Lee D14/374

(Continued)

OTHER PUBLICATIONS

Hot Tips for Buying a Cool TV, Part 3-A: Wall Mount or Stand, posted at Samsung Global Newsroom, posting date Dec. 11, 2015. [online] [site visited Feb. 28, 2018]. Available from Internet. <URL: <https://news.samsung.com/global/hot-tips-for-choosing-a-cool-tv-part-3-a-wall-mount-or-stand>> (Year: 2015).*

(Continued)

Primary Examiner — George D. Kirschbaum

Assistant Examiner — Kathleen L Jones

(74) *Attorney, Agent, or Firm* — Birch, Stewart, Kolasch & Birch, LLP

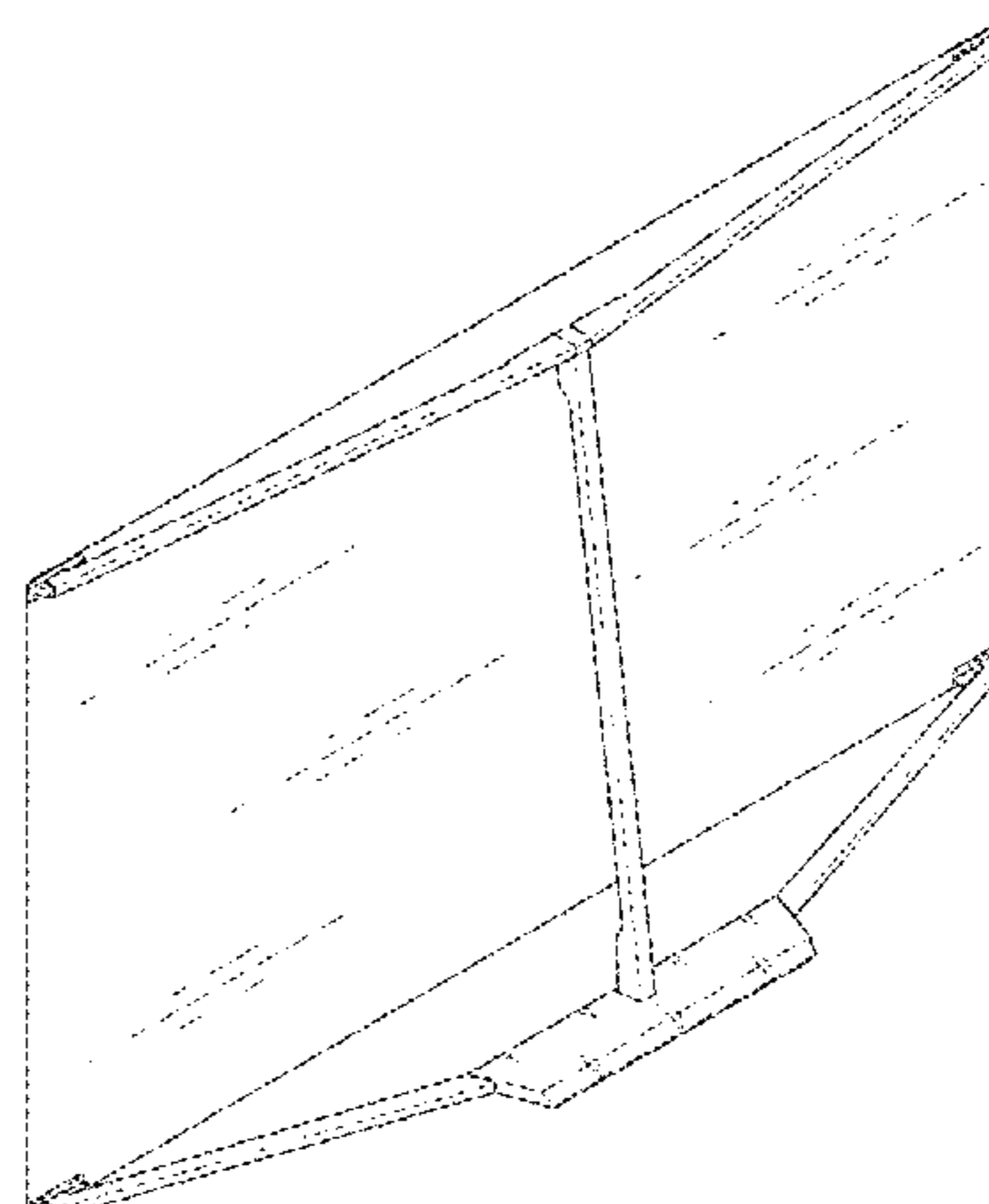
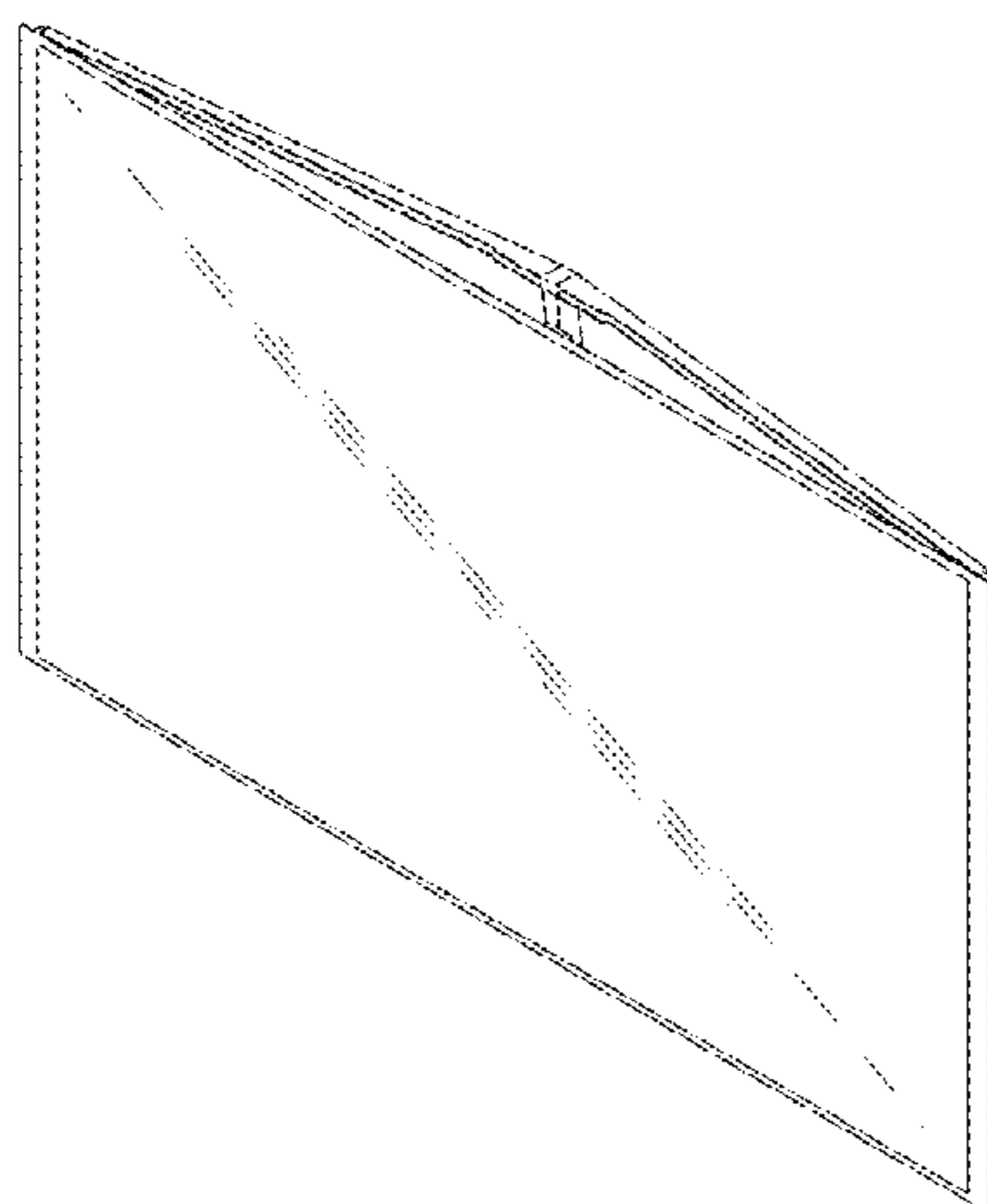
(57) **CLAIM**

The ornamental design for a TV receiver, as shown and described.

DESCRIPTION

- 1. TV receiver
- 1.1 is a front perspective view.
- 1.2 is a rear perspective view.
- 1.3 is a front view.
- 1.4 is a back view.
- 1.5 is a left side view.
- 1.6 is a right side view.
- 1.7 is a top view.
- 1.8 is a bottom view.

1 Claim, 8 Drawing Sheets



(56)

References Cited

U.S. PATENT DOCUMENTS

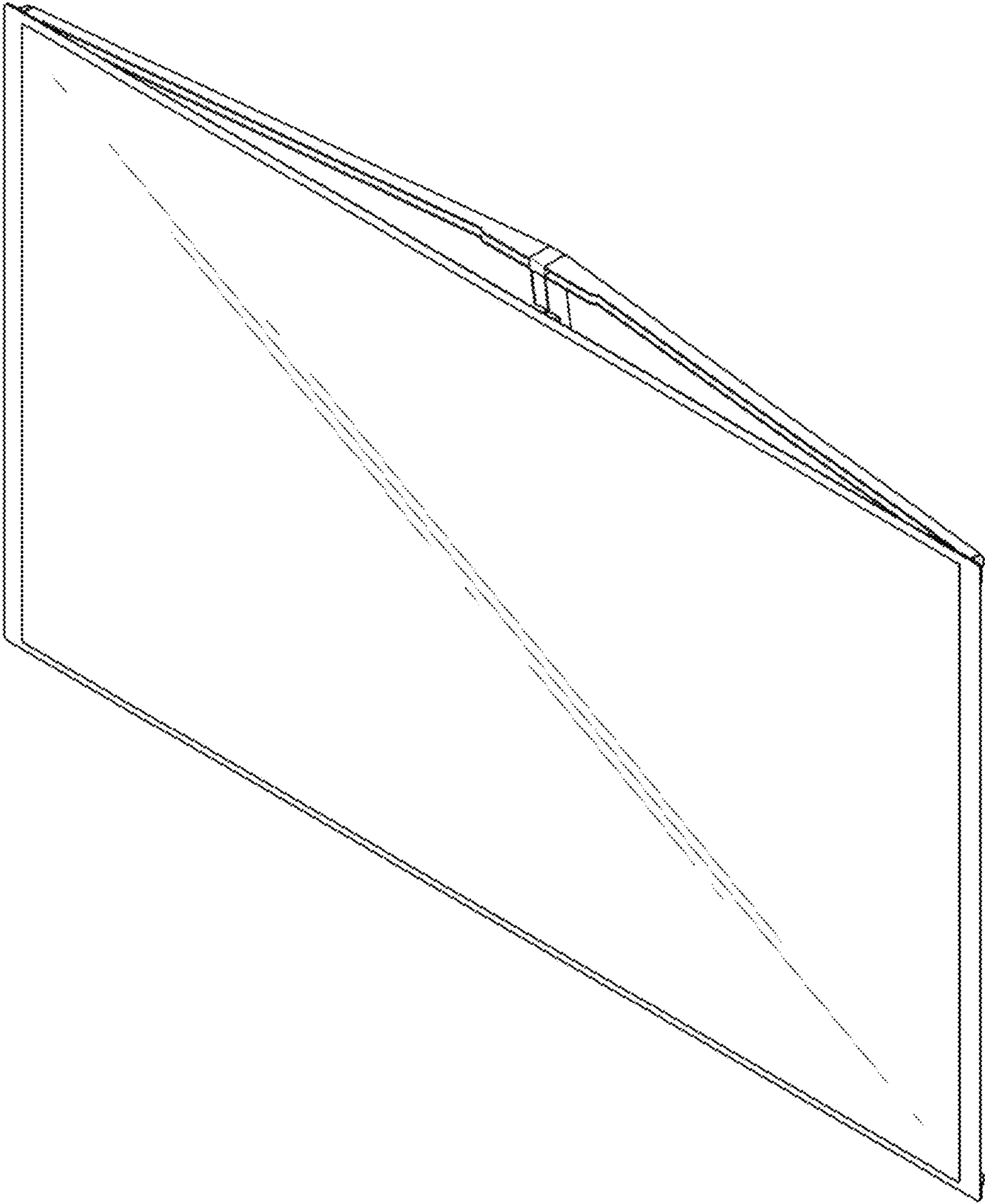
2006/0250347 A1* 11/2006 Bertoncini G06F 1/1601
345/103
2007/0030405 A1* 2/2007 Childrey F16M 11/10
348/794
2015/0145837 A1* 5/2015 Park H04N 5/64
345/184

OTHER PUBLICATIONS

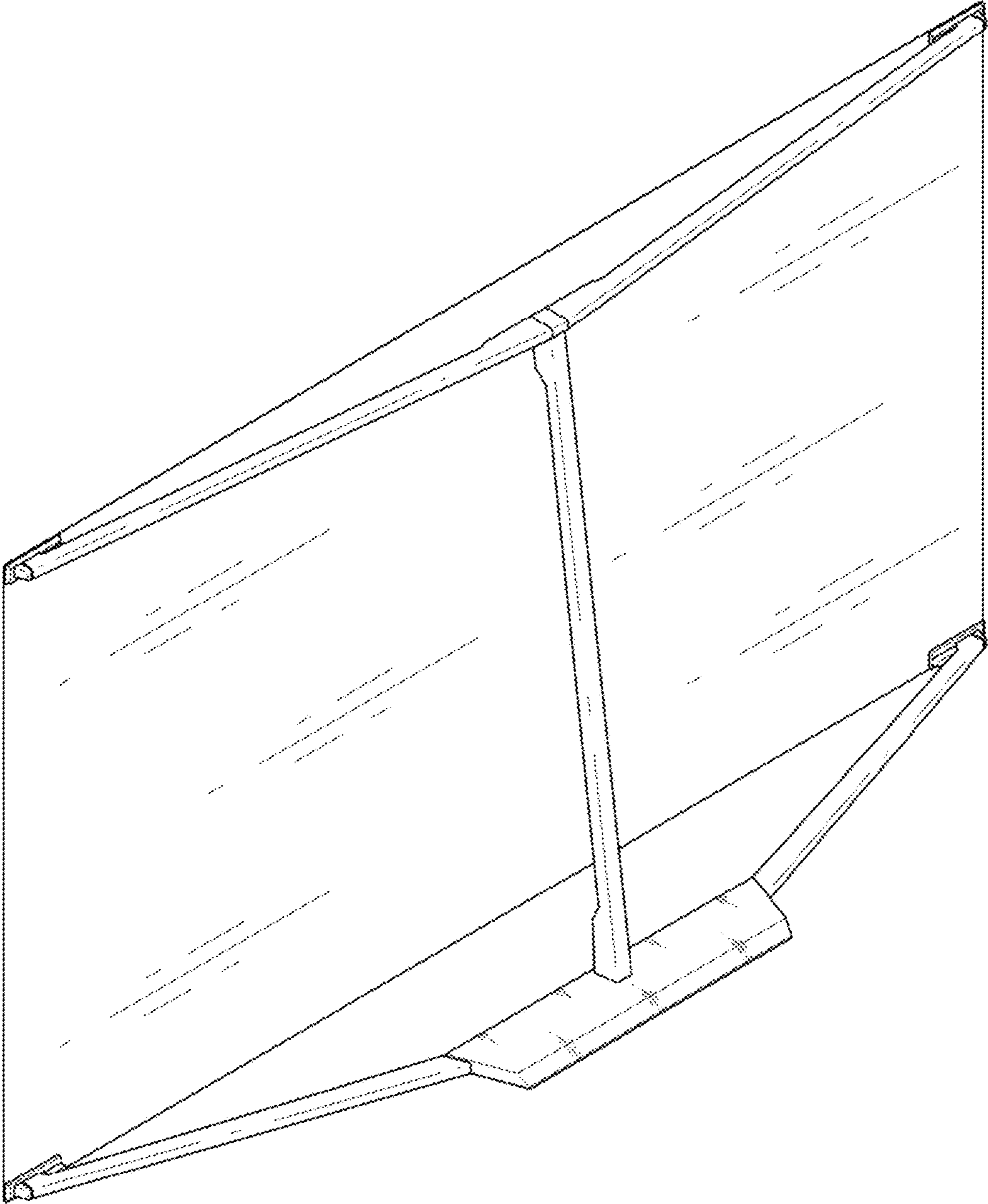
Wong, Abel, Samsung SUHD TB setup tutorial, posted at TechNave, posting date Jun. 20, 2016. [online] [site visited Feb. 28, 2018]. Available from Internet. <URL: <https://technave.com/gadget/Samsung-SUHD-TV-setup-tutorial-7488.html>> (Year: 2016).*

* cited by examiner

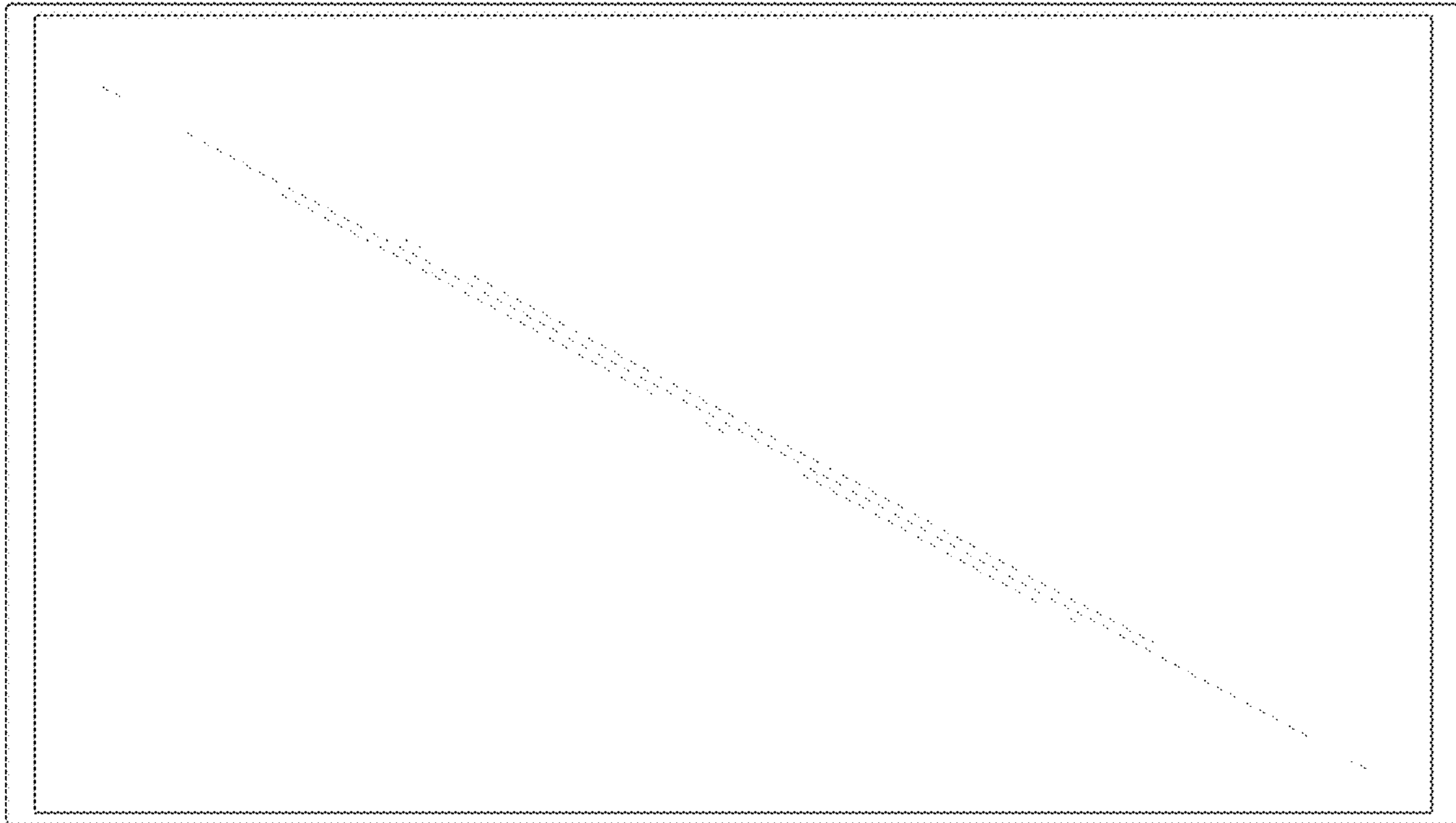
1.1



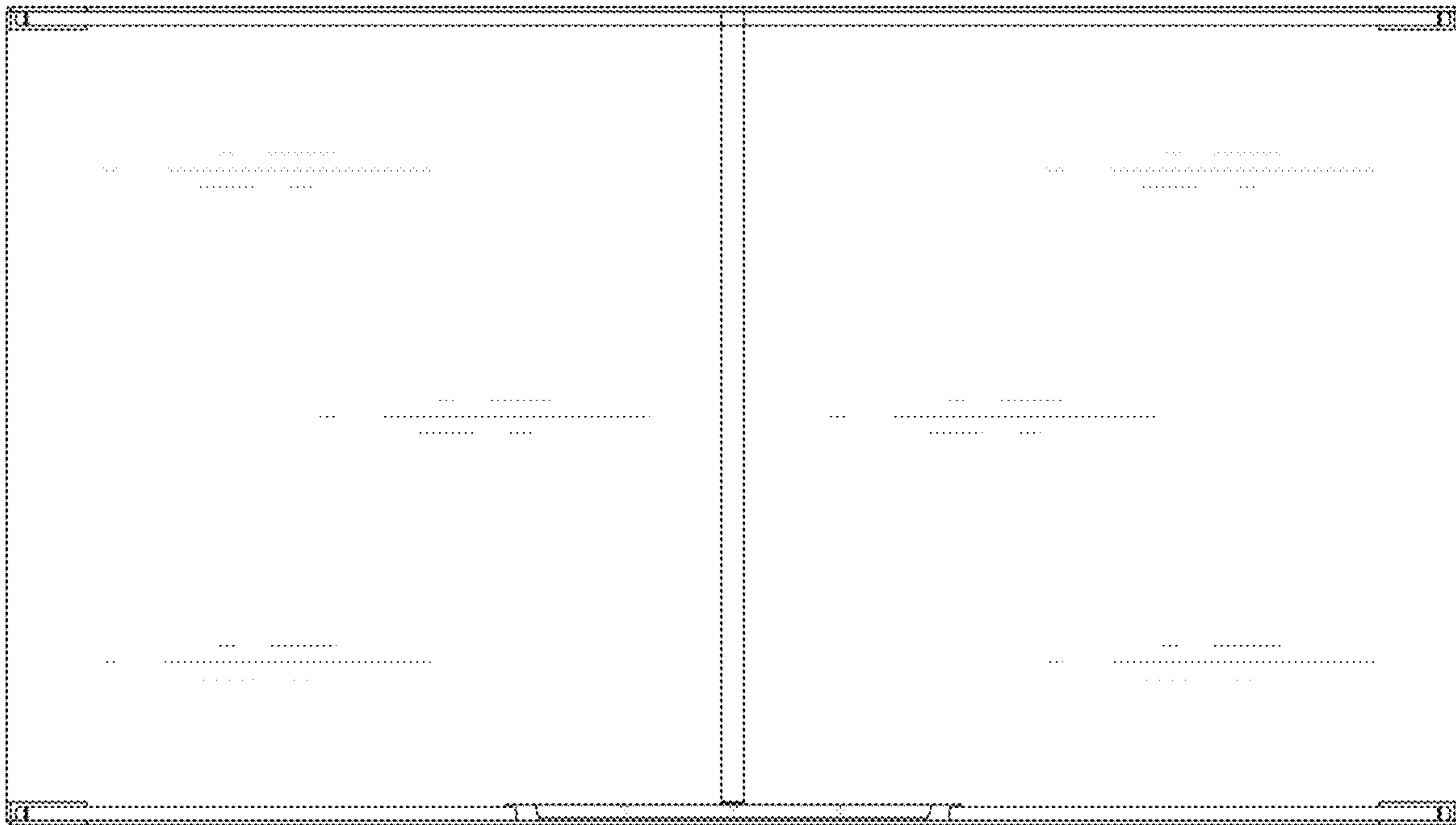
1.2



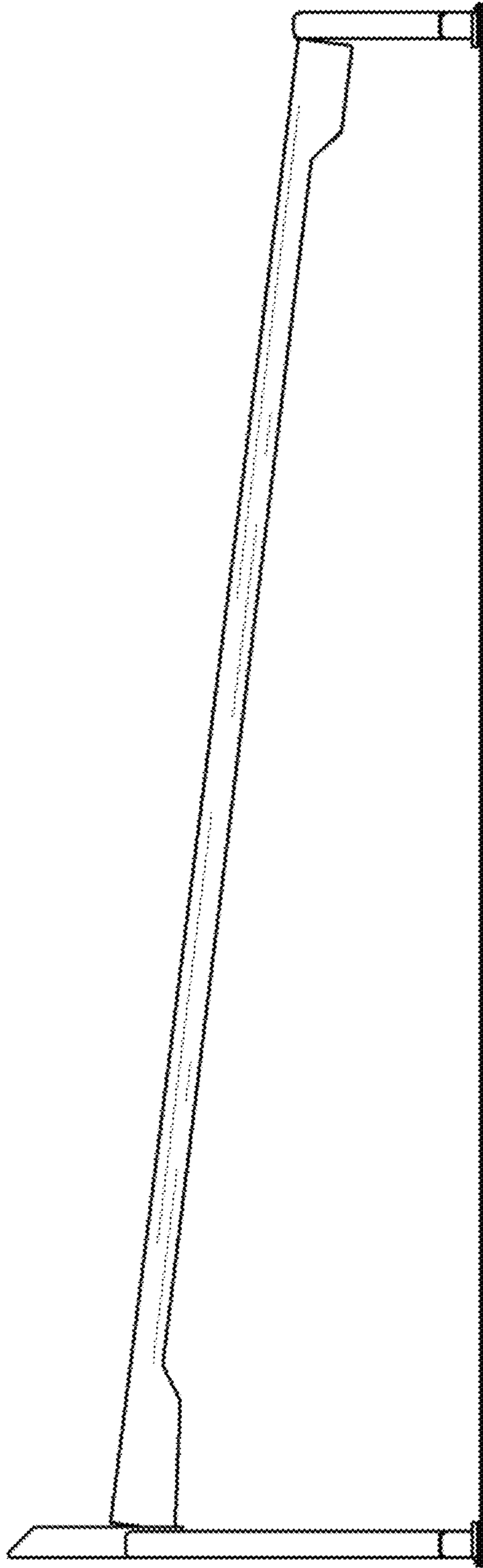
1.3



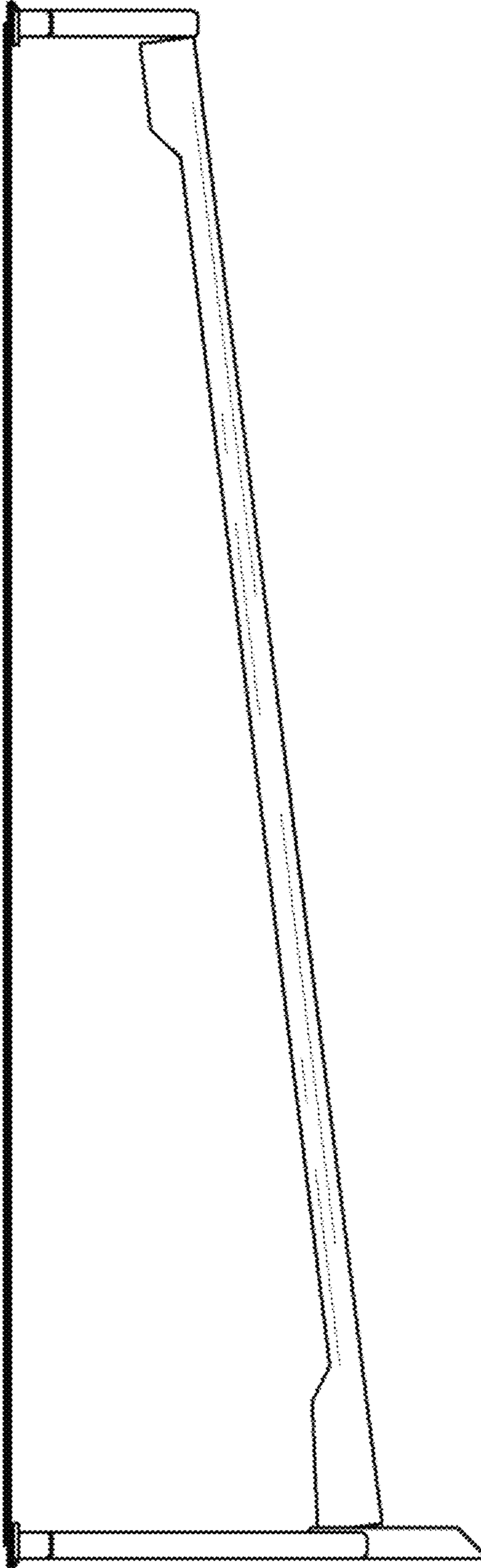
1.4



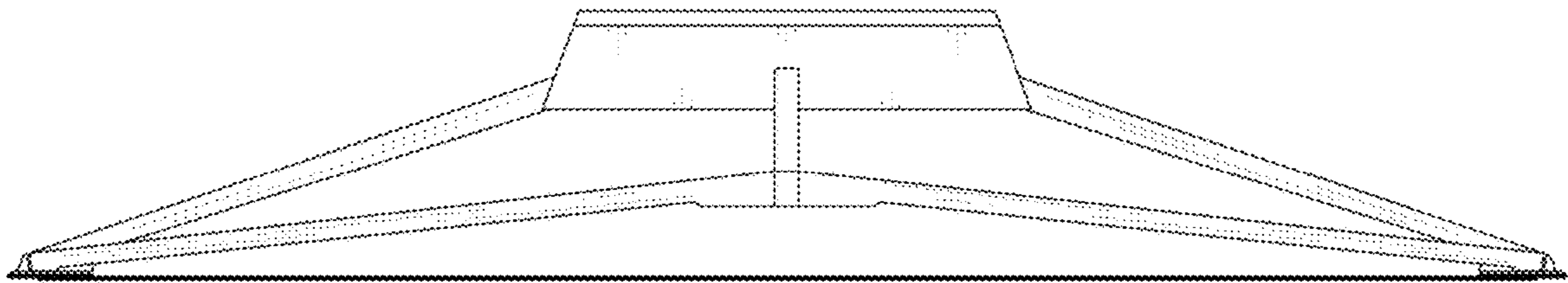
1.5



1.6



1.7



1.8

