



US00D816629S

(12) **United States Design Patent** (10) **Patent No.:** **US D816,629 S**  
**Won et al.** (45) **Date of Patent:** **\*\* May 1, 2018**

(54) **TV RECEIVER**

(71) Applicant: **LG ELECTRONICS INC.**, Seoul (KR)

(72) Inventors: **Hyojin Won**, Seoul (KR); **Taeho Kim**, Seoul (KR); **Yongho Lee**, Seoul (KR)

(73) Assignee: **LG Electronics Inc.**, Seoul (KR)

(\*\*) Term: **15 Years**

(21) Appl. No.: **35/501,797**

(22) Filed: **Apr. 26, 2016**

(80) **Hague Agreement Data**

Int. Filing Date: **Apr. 26, 2016**

Int. Reg. No.: **DM/092266**

Int. Reg. Date: **Apr. 26, 2016**

Int. Reg. Pub. Date: **Oct. 28, 2016**

(30) **Foreign Application Priority Data**

Oct. 30, 2015 (KR) ..... 30-2015-0054934

(51) **LOC (11) Cl.** ..... **14-03**

(52) **U.S. Cl.**  
USPC ..... **D14/126**

(58) **Field of Classification Search**

USPC ..... D14/125, 126, 128, 133, 239, 336, 371,  
D14/374-377, 448, 450; D20/10, 19, 39;  
D21/329, 515; 312/7.2; 348/180, 184,  
348/325, 739, 836, 838; 248/465,  
248/917-924; 345/87, 104, 133, 156,  
345/168, 173

CPC ..... G06F 1/1601; G06F 1/1643; H04N 5/64;  
H04N 5/66; H04N 5/655; H04N 7/00;  
H04N 9/3141; H04N 13/0459; H04N  
17/04; H04N 17/004; H04N 21/43637;  
G02B 6/0068; H05K 5/02; H05K 5/0004;  
H05K 5/0017; H05K 5/0217

See application file for complete search history.

(56) **References Cited**

U.S. PATENT DOCUMENTS

D624,893 S *	10/2010	Kasuga .....	D14/126
D658,140 S *	4/2012	Hwangbo .....	D14/126
D682,228 S *	5/2013	Lee .....	D14/126
D702,201 S *	4/2014	Kim .....	D14/129
D703,630 S *	4/2014	Kim .....	D14/129
D735,156 S *	7/2015	Kim .....	D14/126
D741,320 S *	10/2015	Heck .....	D14/341
D766,855 S *	9/2016	Won .....	D14/126

\* cited by examiner

*Primary Examiner* — Keli L Hill

(74) *Attorney, Agent, or Firm* — Birch, Stewart, Kolasch & Birch, LLP

(57) **CLAIM**

The ornamental design for a TV receiver, as shown and described.

**DESCRIPTION**

1. TV receiver

1.1 is a perspective view of the entire shape;

1.2 is a rear perspective view of the entire shape;

1.3 is a front view;

1.4 is a rear view;

1.5 is a left side view;

1.6 is a right side;

1.7 is a top view;

1.8 is a bottom view;

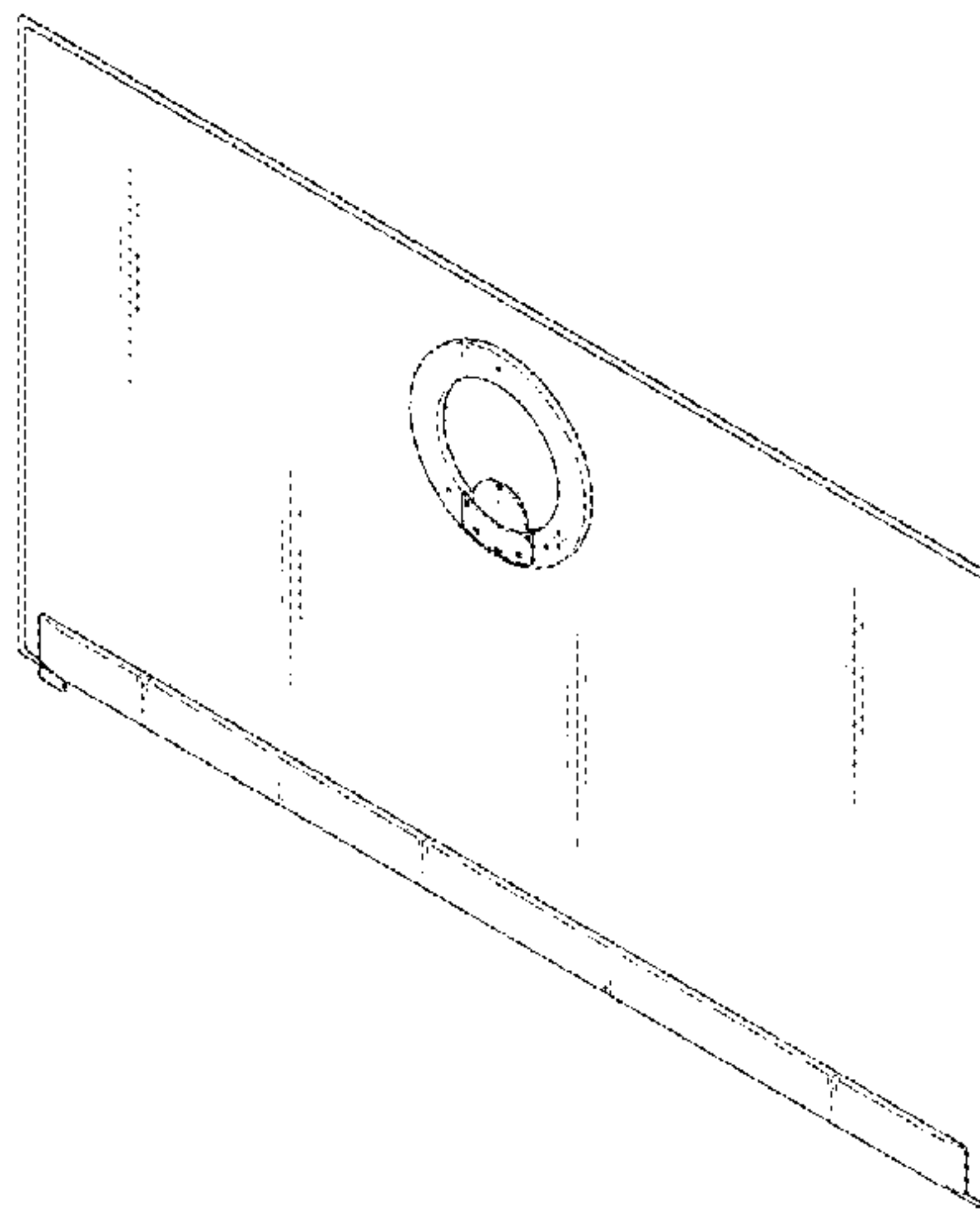
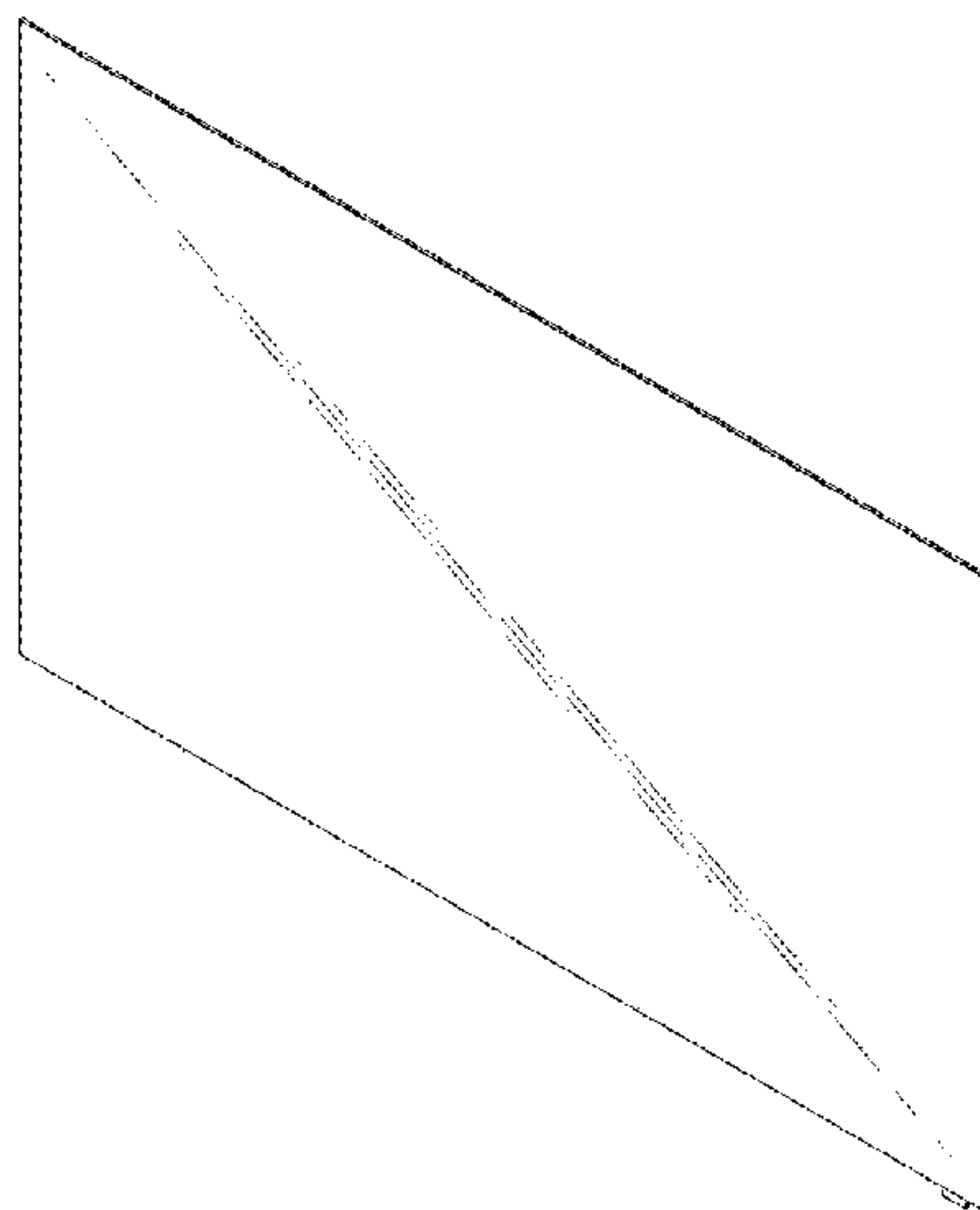
1.9 is an enlarged portion of figure 1.6;

1.10 is a rear perspective sectional view along line 1-1 in figure 1.3; and

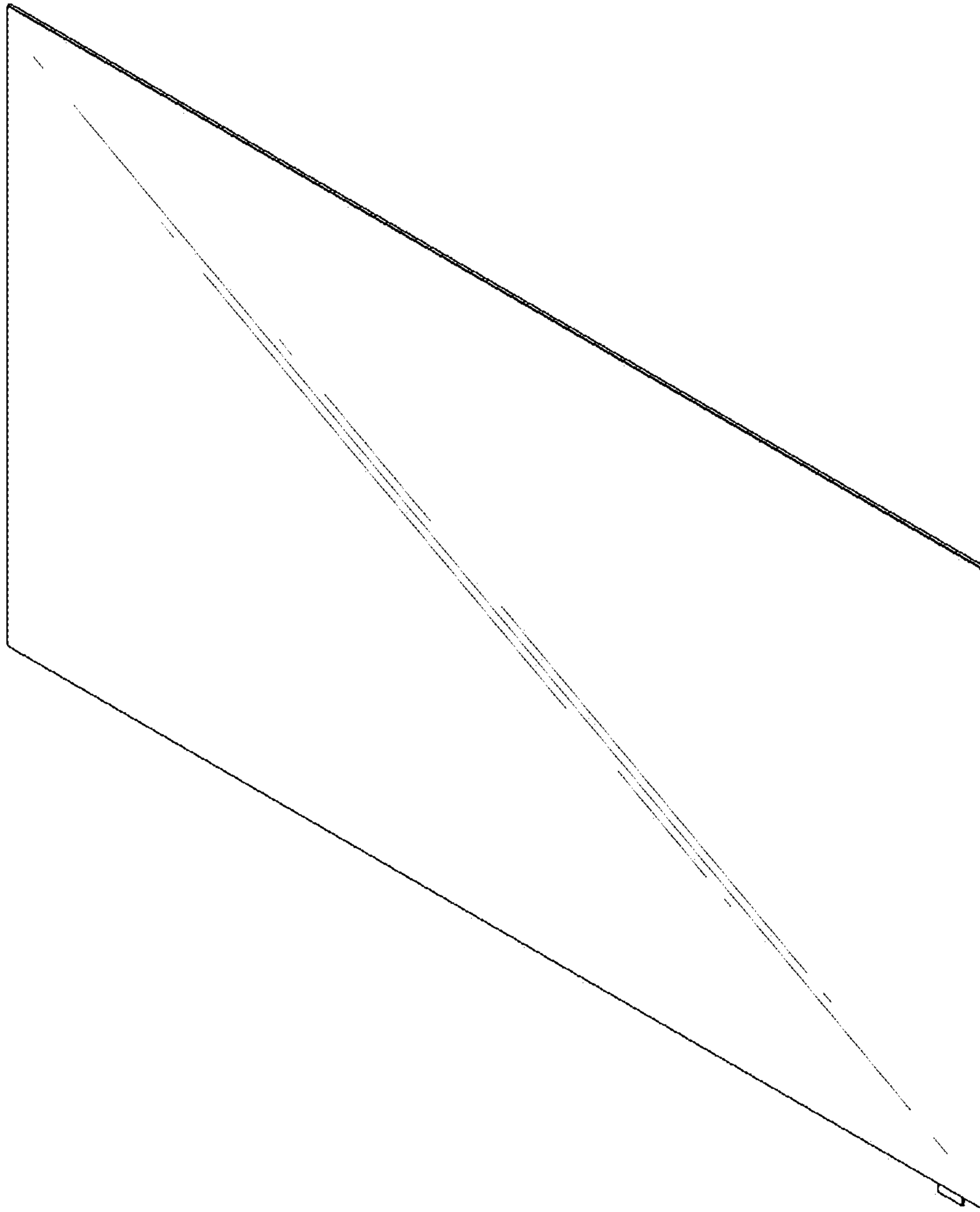
1.11 is a rear perspective sectional view along line 1-1 in figure 1.3 showing the separation of the holder from the rear side.

The dash-dot broken lines of figures 1.6 and 1.9 are included to show partially enlarged views only and form no part of the claimed design.

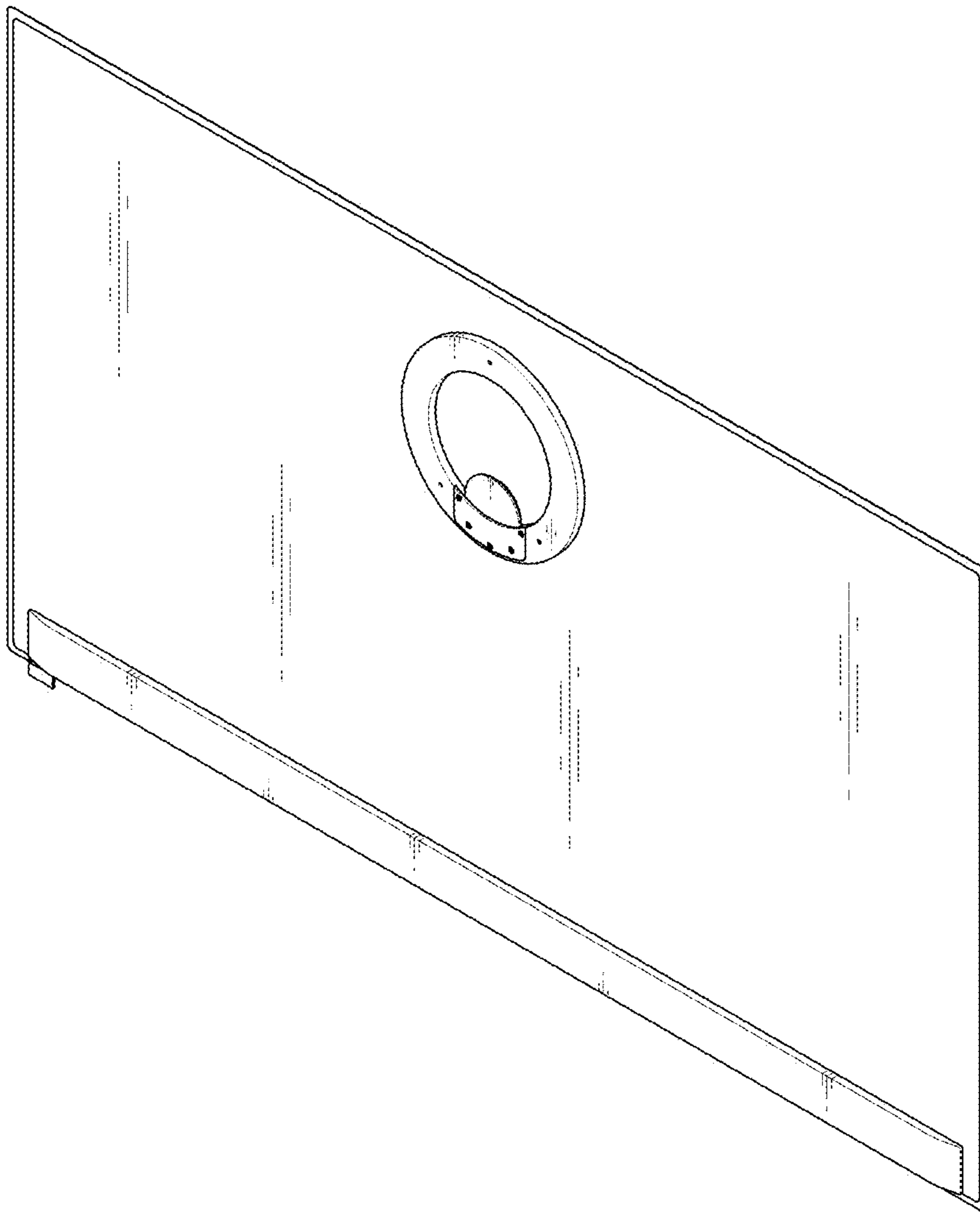
**1 Claim, 7 Drawing Sheets**



1.1

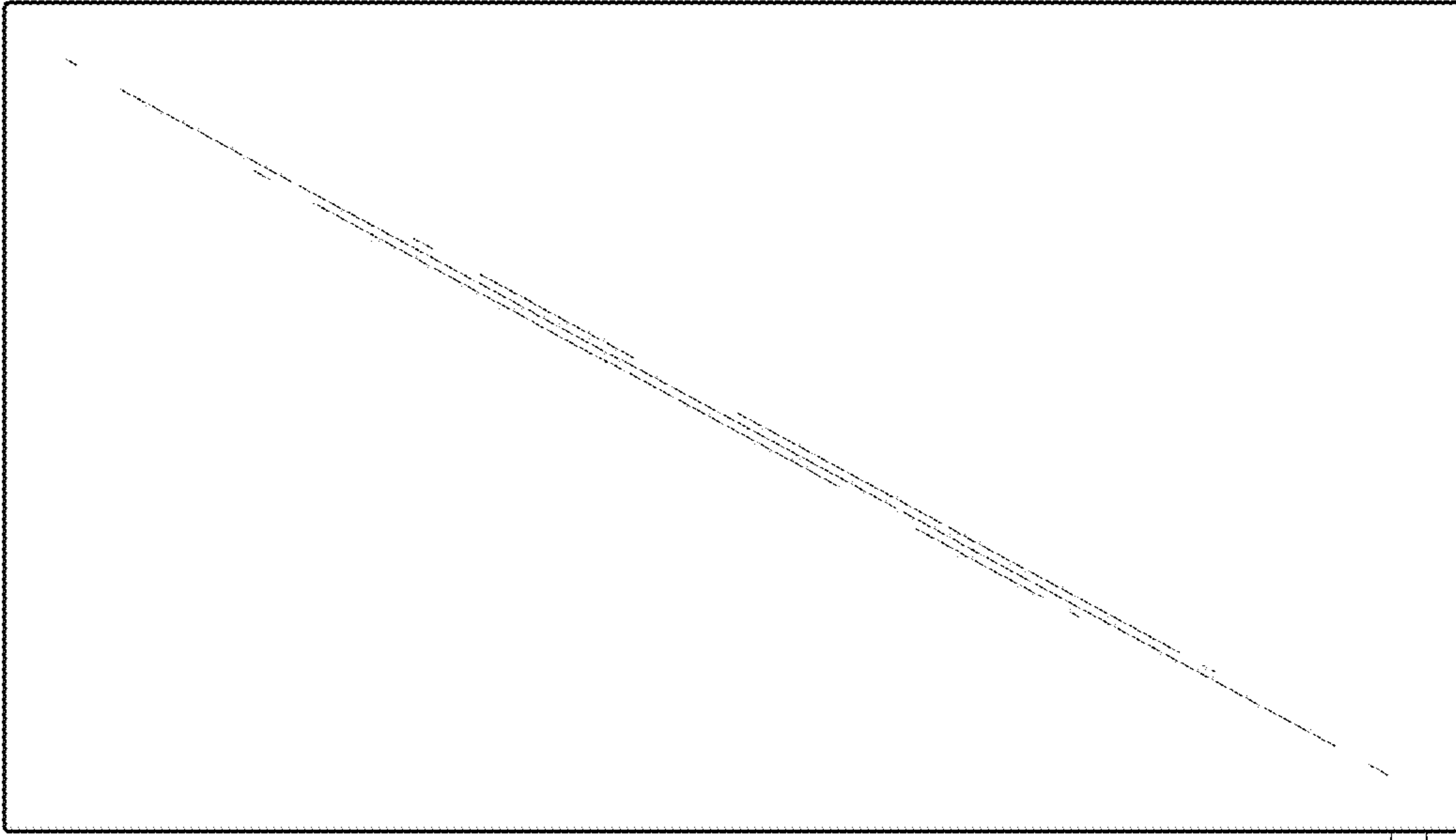


1.2



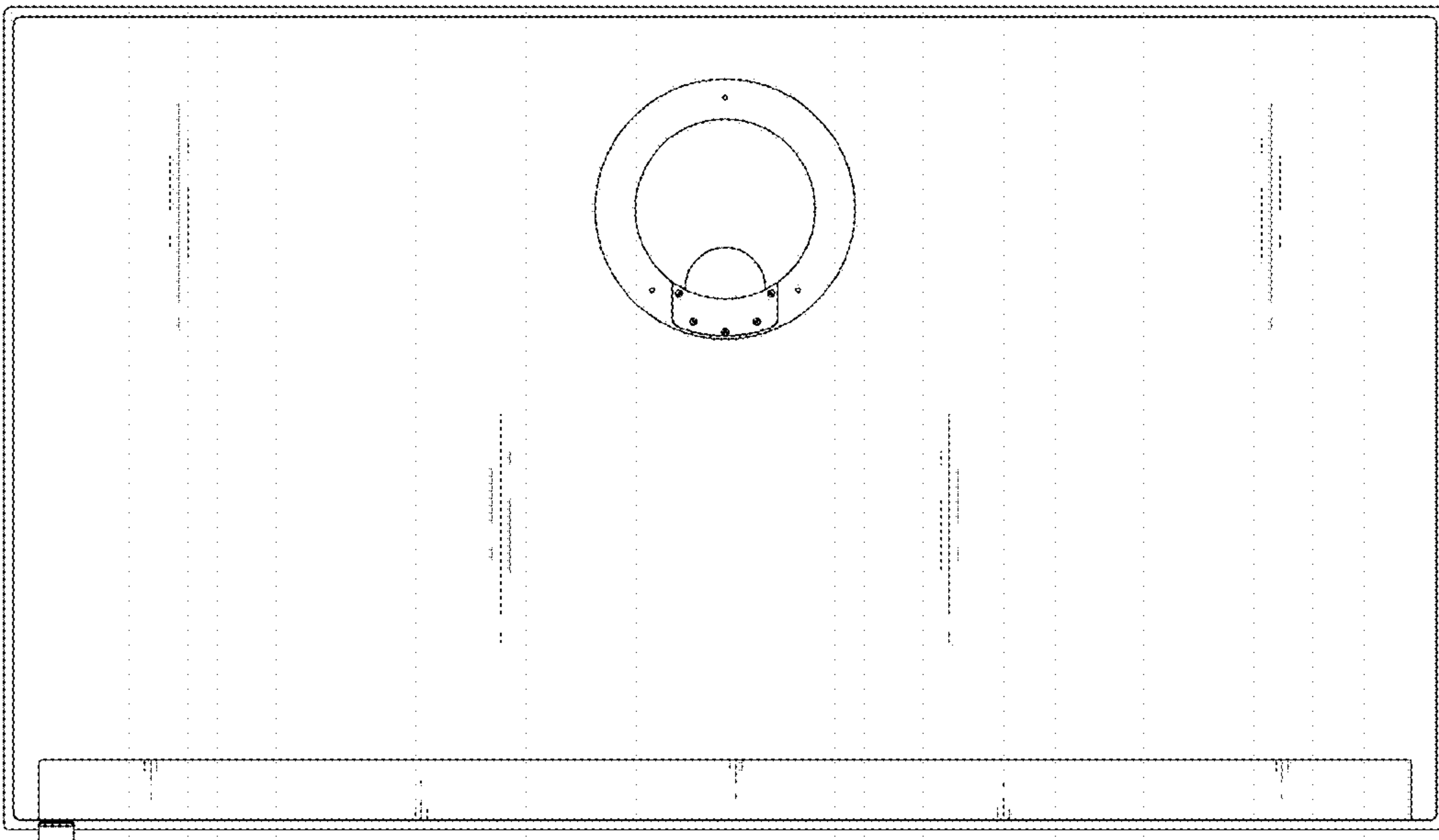
1.3

1



1

1.4

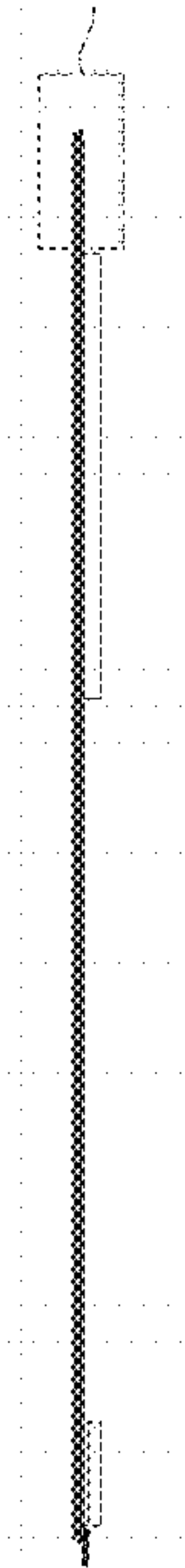


1.5

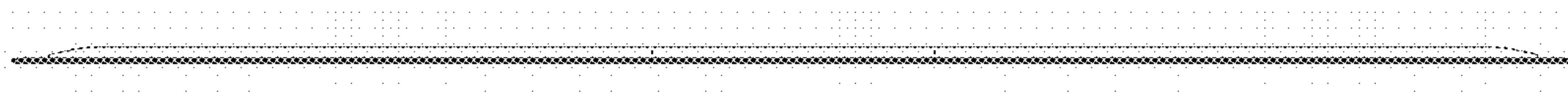


1.6

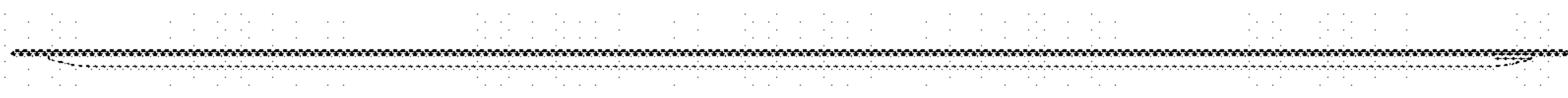
see 1.9



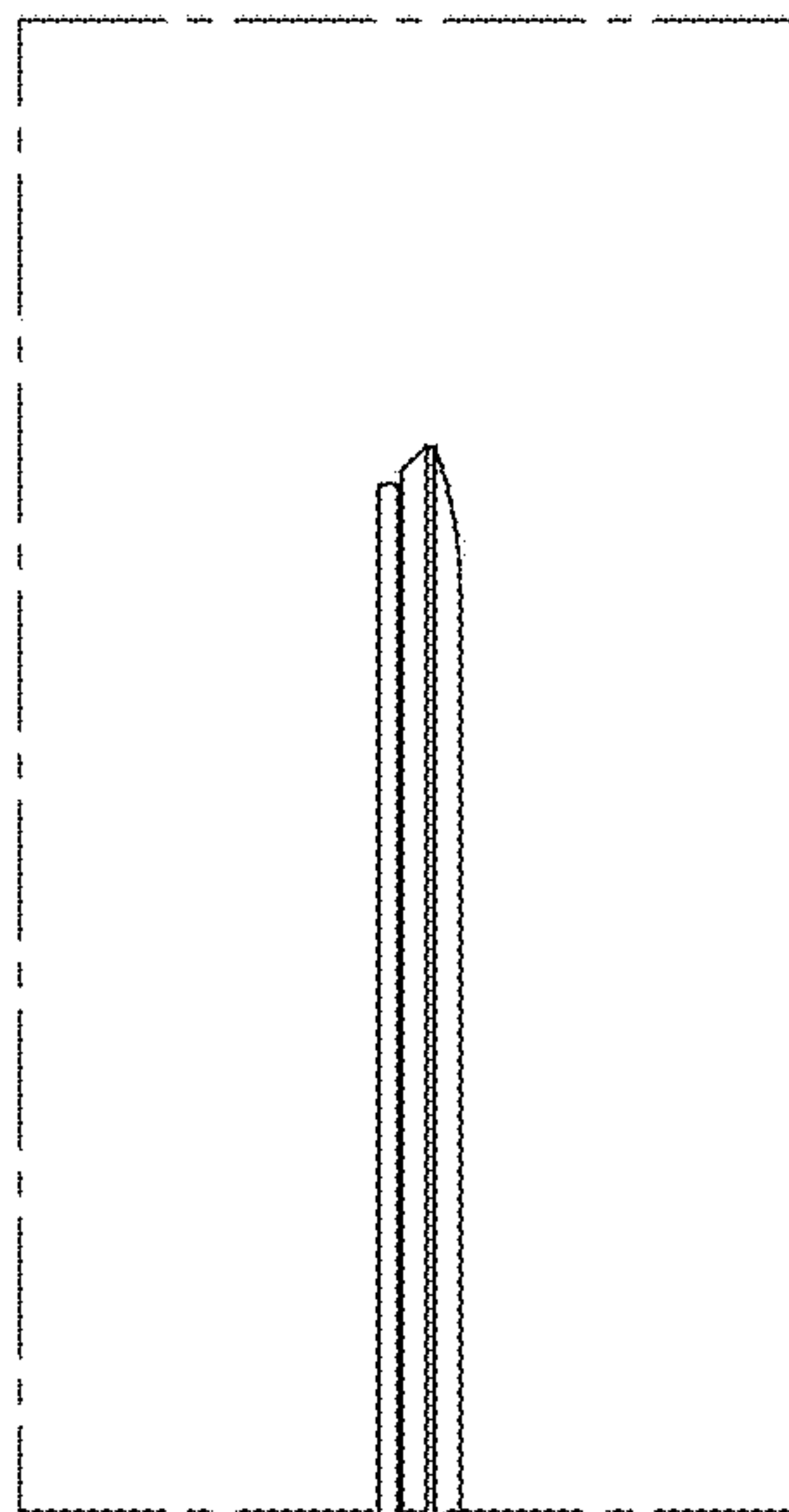
1.7



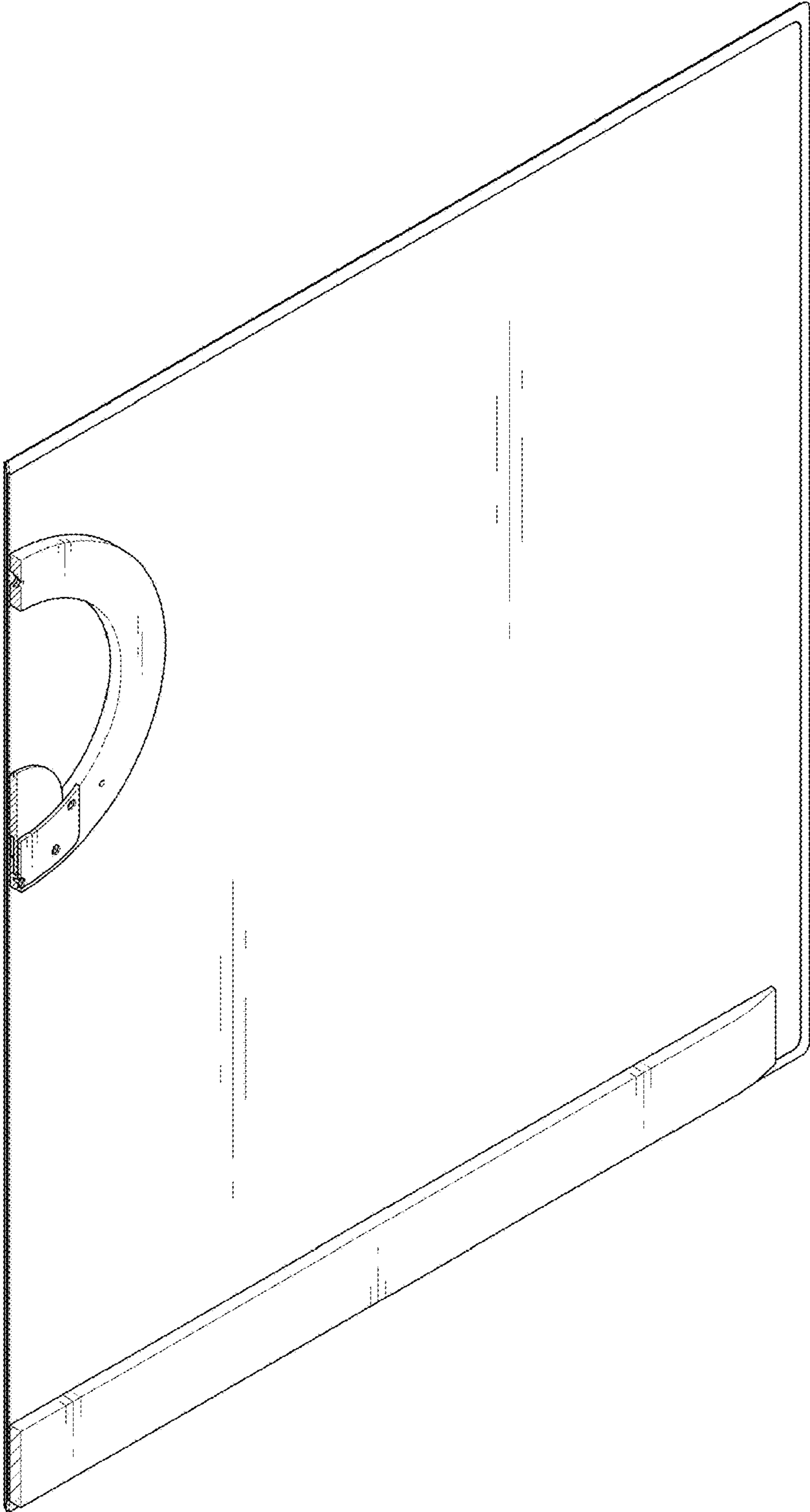
1.8



1.9



1.10





1.11

