



US00D816628S

(12) **United States Design Patent**  
**Won et al.**

(10) **Patent No.:** **US D816,628 S**

(45) **Date of Patent:** **\*\* May 1, 2018**

(54) **TV RECEIVER**

G02B 6/0068; H05K 5/02; H05K 5/0004;  
H05K 5/0017; H05K 5/0217

(71) Applicant: **LG ELECTRONICS INC.**, Seoul (KR)

See application file for complete search history.

(72) Inventors: **Hyojin Won**, Seoul (KR); **Taeho Kim**, Seoul (KR); **Yongho Lee**, Seoul (KR); **Jongchul Kim**, Seoul (KR); **Junghyun Min**, Seoul (KR)

(56) **References Cited**

U.S. PATENT DOCUMENTS

D682,228 S *	5/2013	Lee .....	D14/126
D706,233 S *	6/2014	Lee .....	D14/126
D714,746 S *	10/2014	Euseok .....	D14/126
D756,318 S *	5/2016	Kim .....	D14/126
D763,217 S *	8/2016	Behar .....	D14/126
D769,206 S *	10/2016	Seo .....	D14/126
D773,418 S *	12/2016	Won .....	D14/126

(73) Assignee: **LG Electronics Inc.**, Seoul (KR)

(\*\*) Term: **15 Years**

\* cited by examiner

(21) Appl. No.: **35/501,795**

*Primary Examiner* — Keli L Hill

(22) Filed: **Apr. 26, 2016**

(74) *Attorney, Agent, or Firm* — Birch, Stewart, Kolasch & Birch, LLP

(80) **Hague Agreement Data**

Int. Filing Date: **Apr. 26, 2016**

Int. Reg. No.: **DM/091788**

Int. Reg. Date: **Apr. 26, 2016**

Int. Reg. Pub. Date: **Oct. 28, 2016**

(57) **CLAIM**

The ornamental design for a TV receiver, as shown and described.

(30) **Foreign Application Priority Data**

Oct. 30, 2015 (KR) ..... 30-2015-0054893

(51) **LOC (11) Cl.** ..... **14-03**

(52) **U.S. Cl.**  
USPC ..... **D14/126**

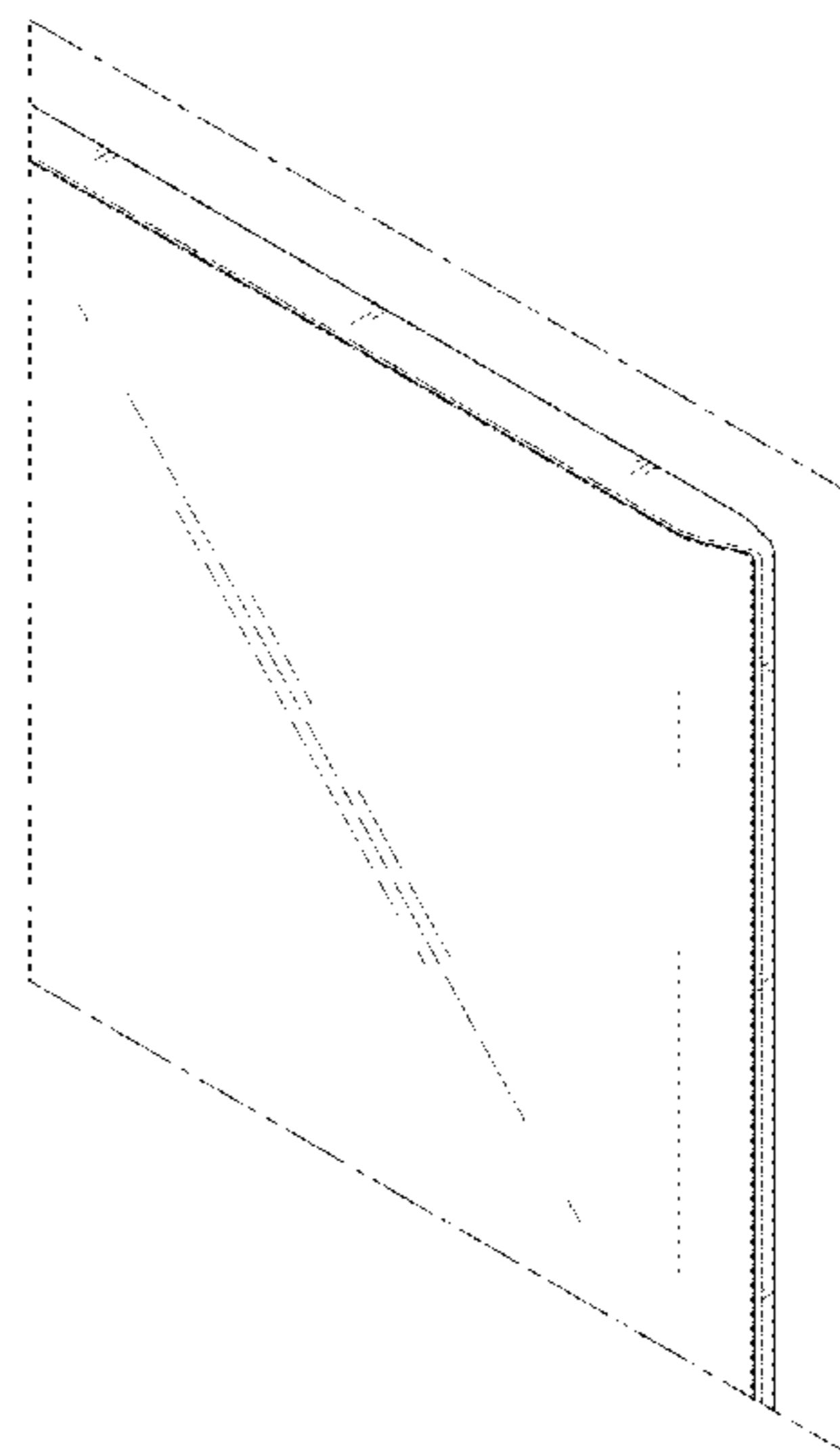
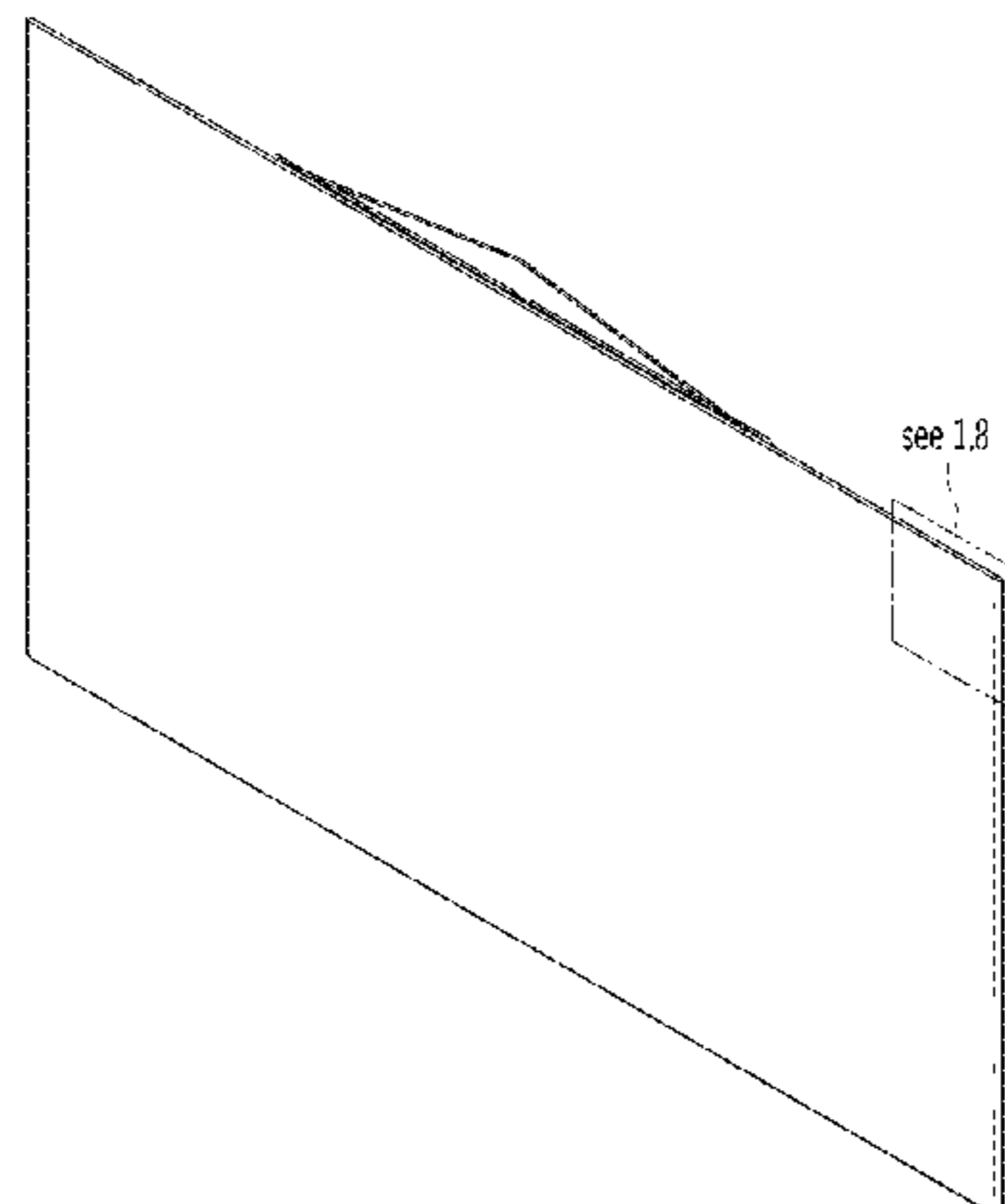
(58) **Field of Classification Search**  
USPC ..... D14/125, 126, 128, 133, 239, 336, 371, D14/374-377, 448, 450; D20/10, 19, 39; D21/329, 515; 312/7.2; 348/180, 184, 348/325, 739, 836, 838; 248/465, 248/917-924; 345/87, 104, 133, 156, 345/168, 173  
CPC ..... G06F 1/1601; G06F 1/1643; H04N 5/64; H04N 5/66; H04N 5/655; H04N 7/00; H04N 9/3141; H04N 13/0459; H04N 17/04; H04N 17/004; H04N 21/43637;

**DESCRIPTION**

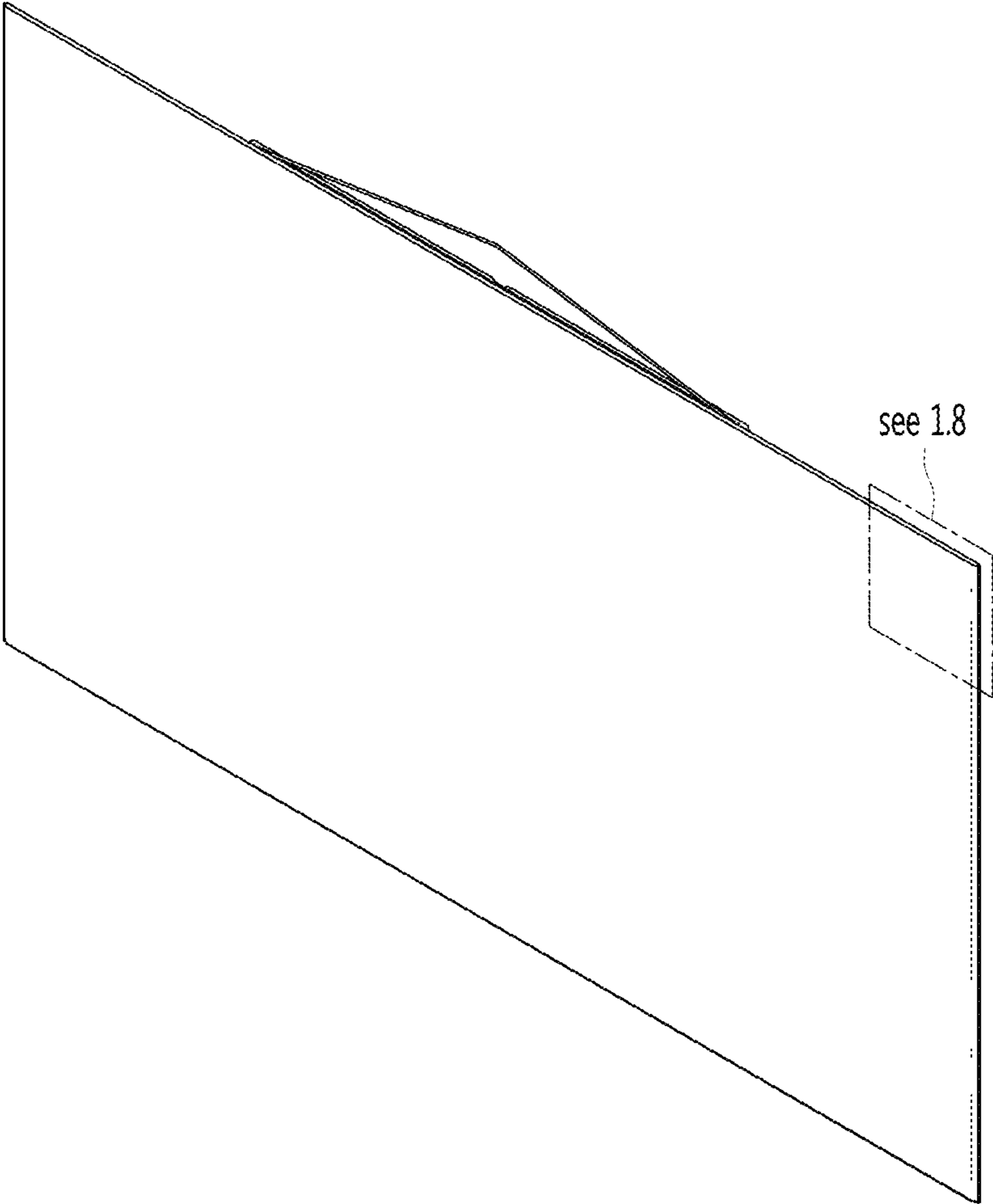
- 1. TV receiver
- 1.1 : Perspective
- 1.2 : Front
- 1.3 : Back
- 1.4 : Left
- 1.5 : Right
- 1.6 : Top
- 1.7 : Bottom
- 1.8 : Enlarged portion of reproduction 1.1
- 1.9 : Reference view

The bracket visible in reproduction 1.9 is disclaimed.  
The dash-dot broken lines of reproductions 1.1 and 1.8 are included to show partially enlarged views only and form no part of the claimed design.

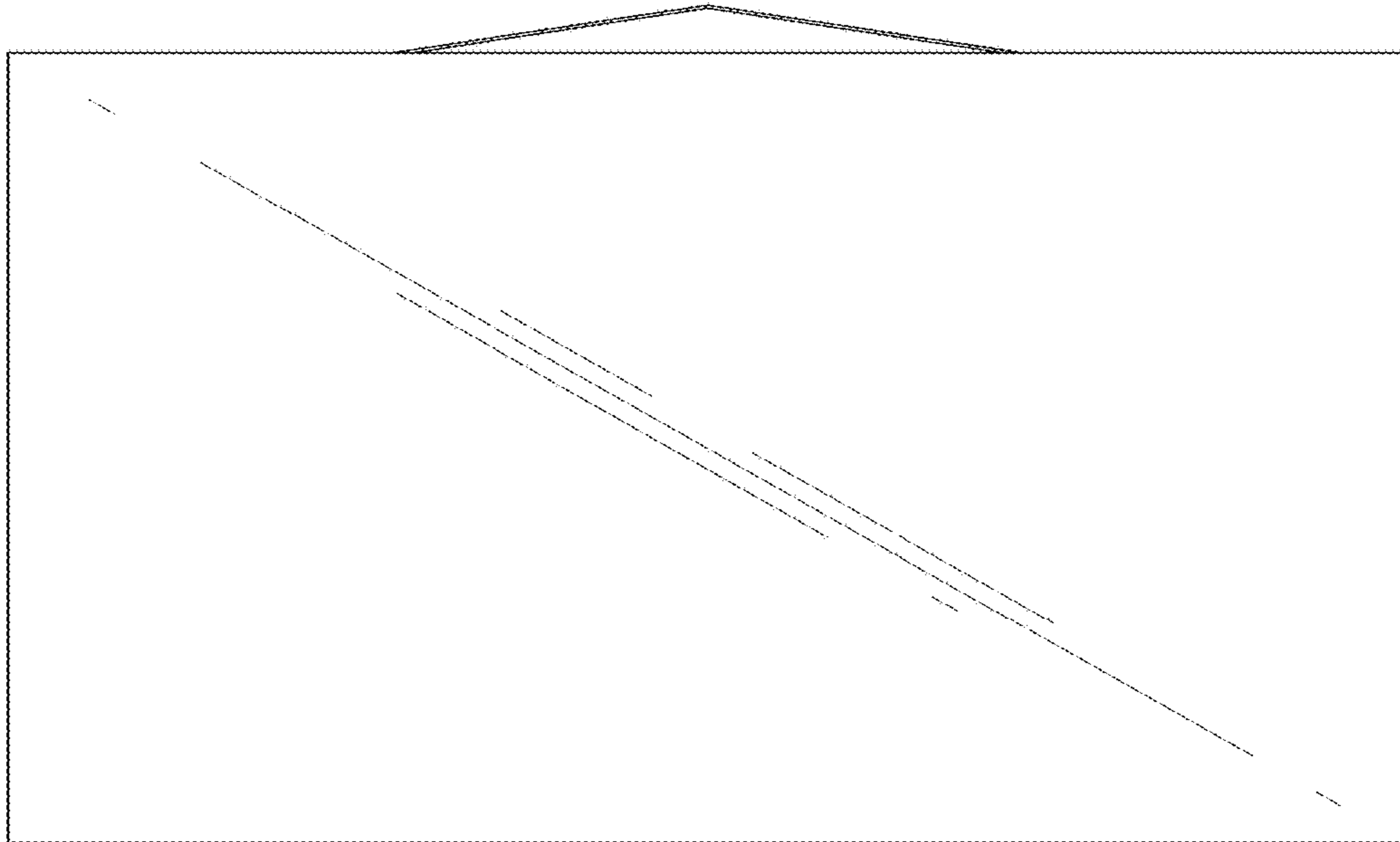
**1 Claim, 6 Drawing Sheets**



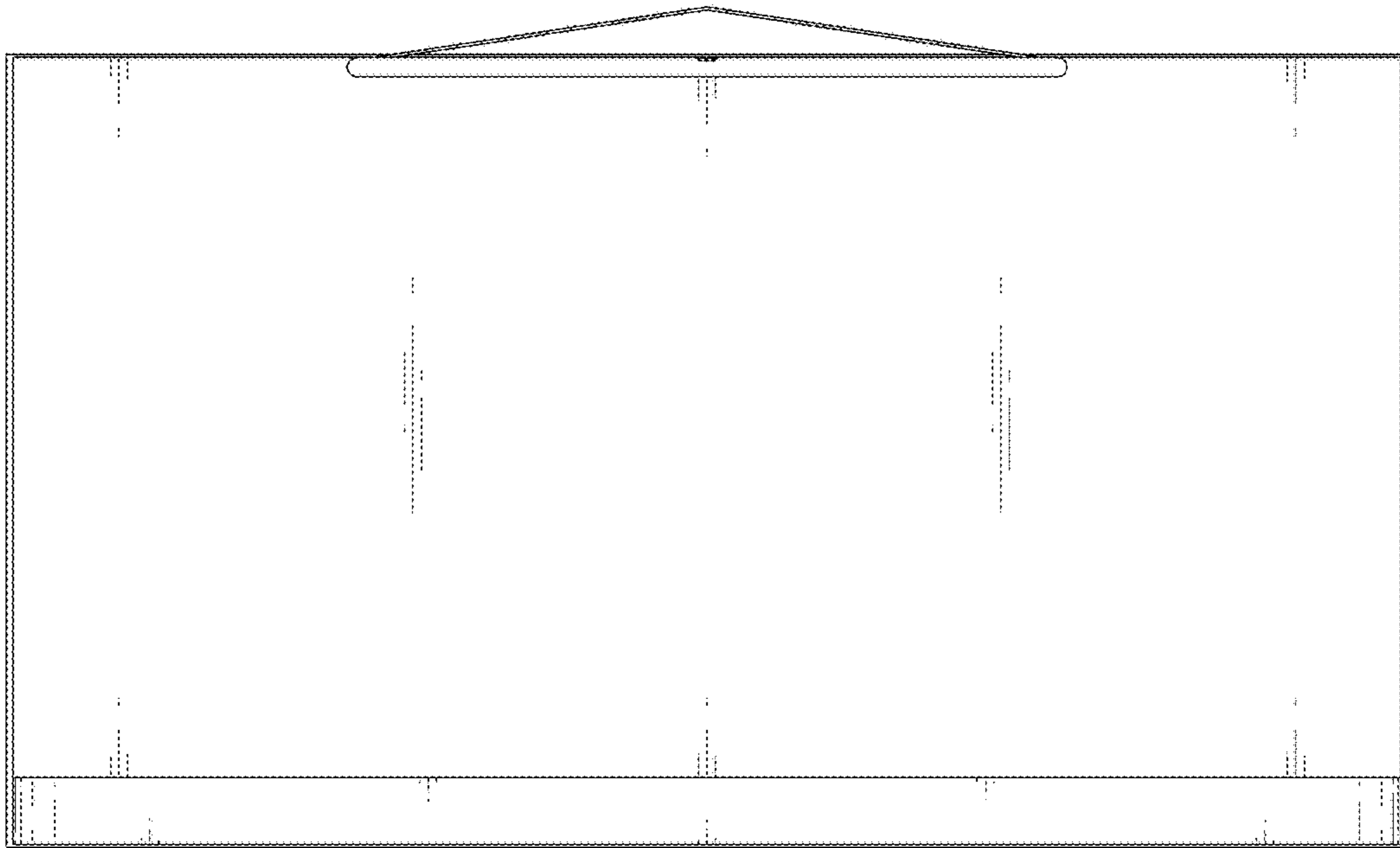
1.1



1.2



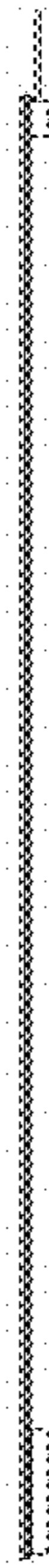
1.3



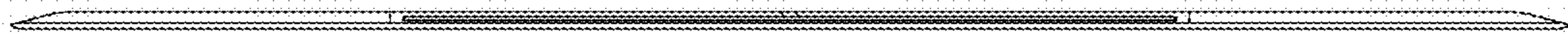
1.4



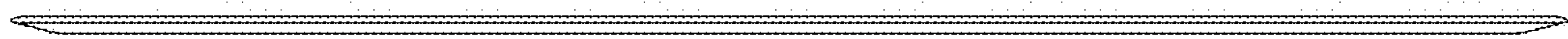
1.5



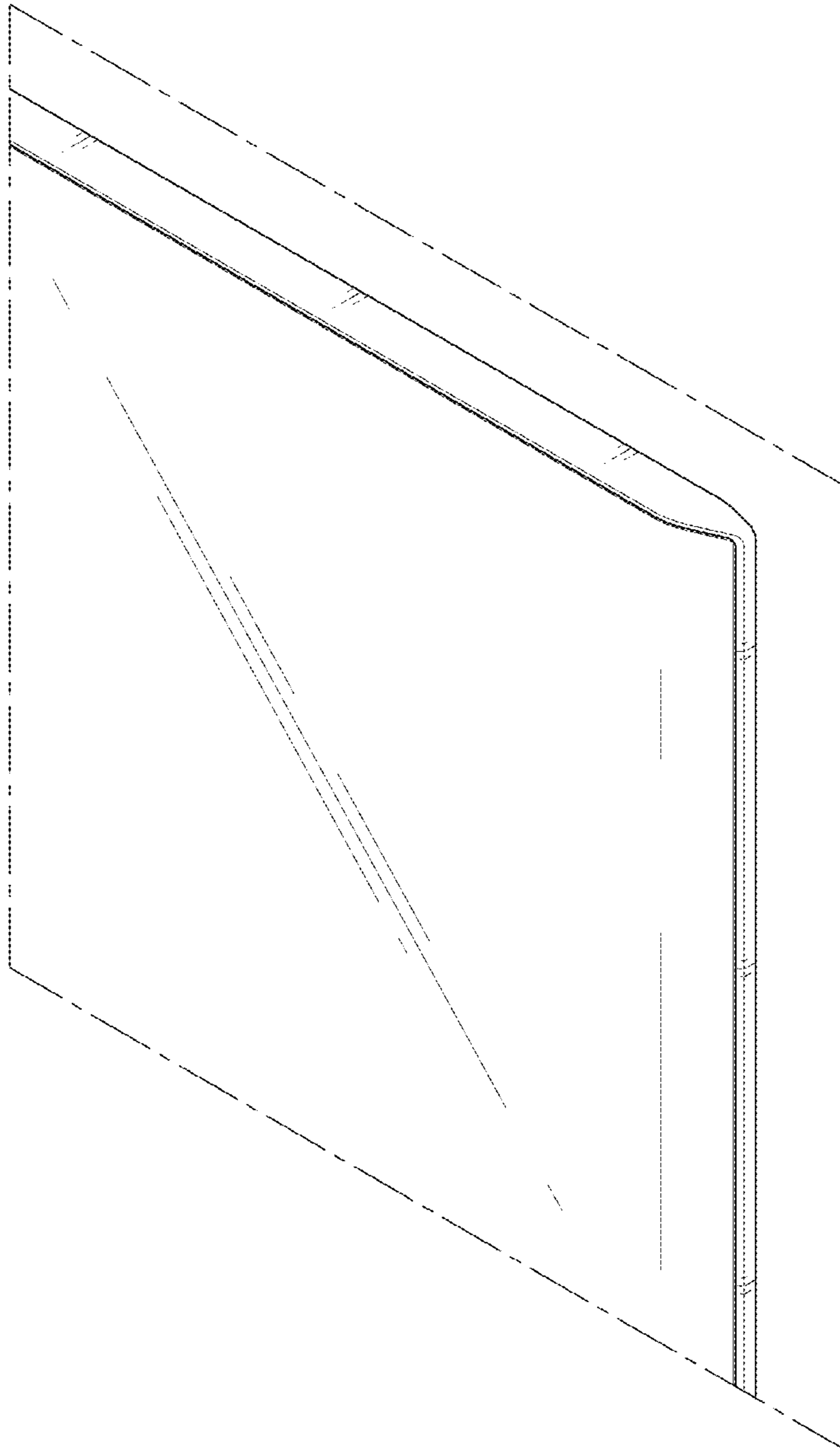
1.6



1.7



1.8



1.9

