



US00D816627S

(12) **United States Design Patent** (10) **Patent No.:** **US D816,627 S**
Kim et al. (45) **Date of Patent:** **** May 1, 2018**

(54) **TELEVISION RECEIVER**

5/0004; H05K 5/0017; H05K 5/02; H05K 5/0217; H04N 13/0459

(71) Applicant: **LG ELECTRONICS INC.**, Seoul (KR)

See application file for complete search history.

(72) Inventors: **Byungsoo Kim**, Seoul (KR); **Seongahn Jeon**, Seoul (KR); **Hana Kim**, Seoul (KR)

(56) **References Cited**

U.S. PATENT DOCUMENTS

D467,184 S * 12/2002 Kwok D10/15
D647,970 S * 11/2011 Strempack D20/10
D678,274 S * 3/2013 Chiu D14/371
D706,261 S * 6/2014 Sharma D14/341

(Continued)

(73) Assignee: **LG Electronics Inc.**, Seoul (KR)

(**) Term: **15 Years**

Primary Examiner — Mary Ann Calabrese

Assistant Examiner — Jennifer L Rempfer

(21) Appl. No.: **35/501,317**

(74) *Attorney, Agent, or Firm* — Birch, Stewart, Kolasch & Birch, LLP

(22) Filed: **Feb. 3, 2016**

(80) **Hague Agreement Data**

Int. Filing Date: **Feb. 3, 2016**

Int. Reg. No.: **DM/089380**

Int. Reg. Date: **Feb. 3, 2016**

Int. Reg. Pub. Date: **Aug. 5, 2016**

(57) **CLAIM**

The ornamental design for a television receiver, as shown and described.

DESCRIPTION

(30) **Foreign Application Priority Data**

Aug. 5, 2015 (KR) 30-2015-0039646

(51) **LOC (11) Cl.** **14-03**

(52) **U.S. Cl.**
USPC **D14/126**

(58) **Field of Classification Search**

USPC D14/125–134, 159, 239, 341, 342, 346,
D14/347, 336, 371, 374–377, 420, 426,
D14/440, 448, 450, 496, 138 R, 138 AA,
D14/138 G, 147, 203.1–203.7, 247, 388,
D14/389; D6/300–310; D16/241;
D20/10, 15, 17, 19, 39; D21/329, 333,
D21/331, 332; D10/1, 30, 40

CPC .. G06F 1/1613; G06F 3/04883; G06F 1/1647;
G06F 3/04845; G06F 1/1601; G06F
1/1643; A63H 33/3016; H04M 1/0279;
H04M 1/0281; H04M 1/0283; H05K

1. Television receiver

1.1 : Perspective

1.2 : Front

1.3 : Back

1.4 : Left

1.5 : Right

1.6 : Top

1.7 : Bottom

1.8 : Perspective

1.9 : Front

1.10 : Back

1.11 : Left

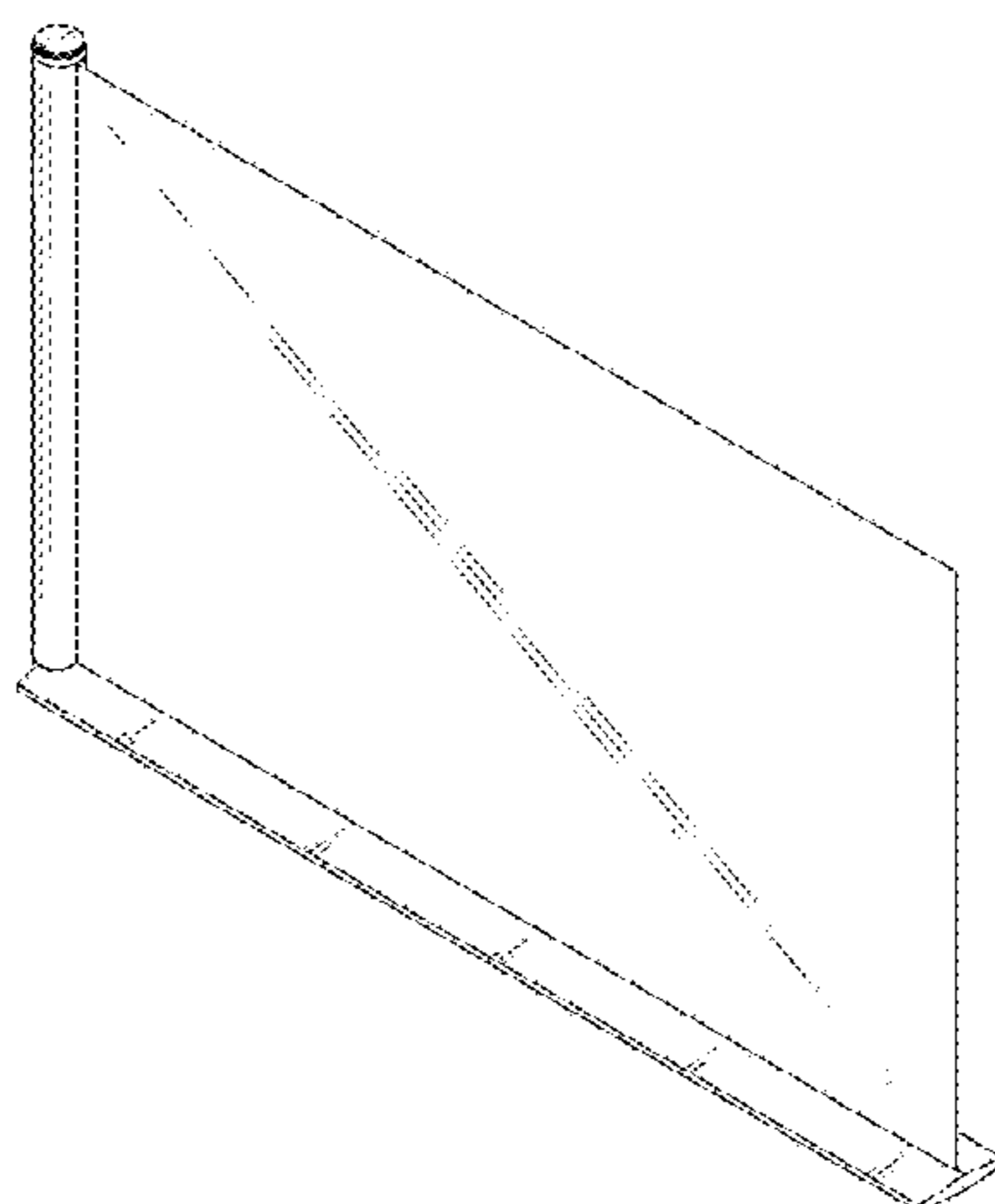
1.12 : Right

1.13 : Top

1.14 : Bottom

Reproductions **1.1-1.14** show one (1) design. The subject design is characterized by a collapsible display. Reproductions **1.1-1.7** show the unused state of the subject design with the display unit collapsed and unexposed. Reproductions **1.8-1.14** show the subject design with the display unit expanded and exposed.

(Continued)



US D816,627 S

Page 2

tions 1.8-1.14 show the use state of the subject design with the display unit fully exposed.

1 Claim, 14 Drawing Sheets

(56)

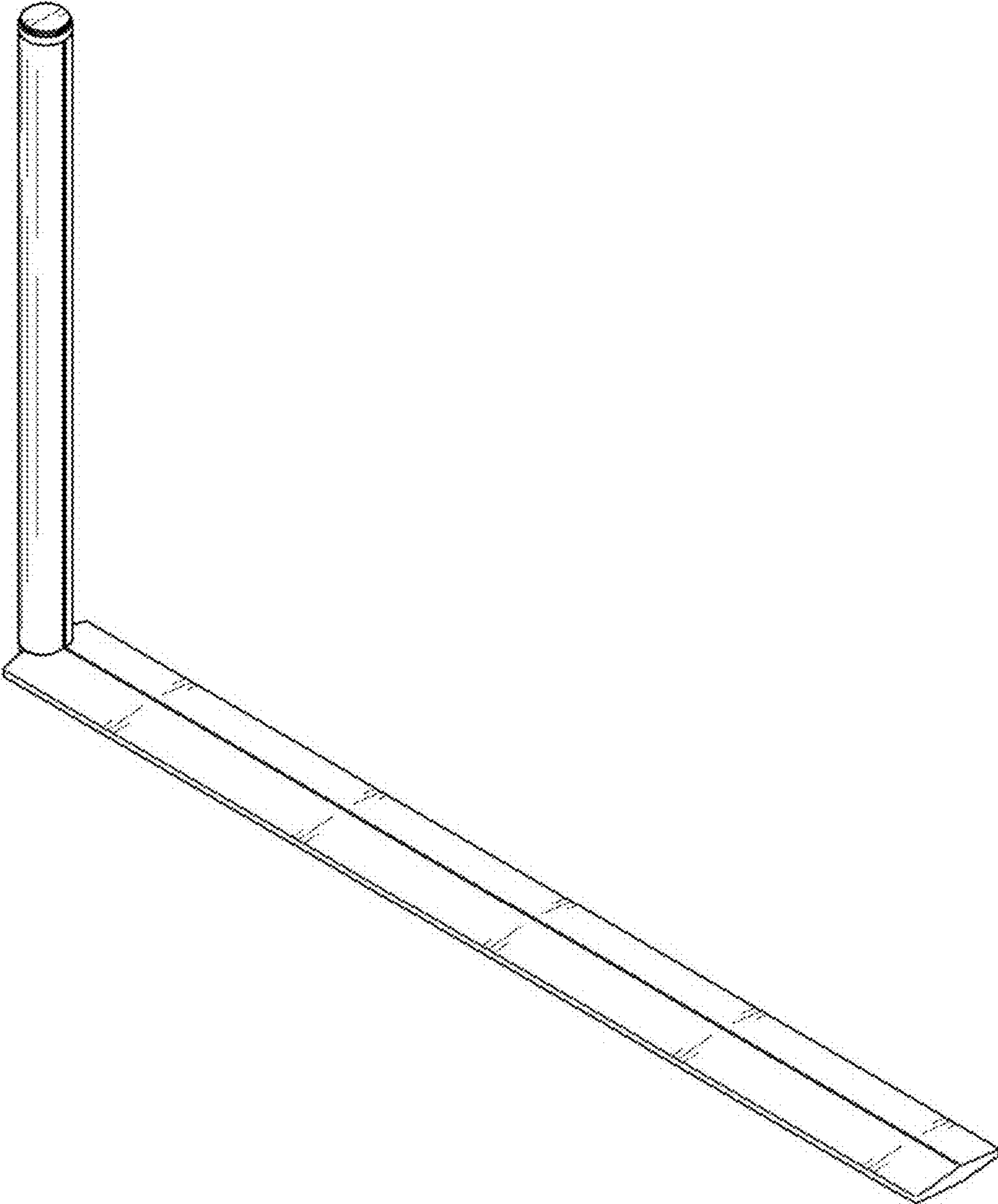
References Cited

U.S. PATENT DOCUMENTS

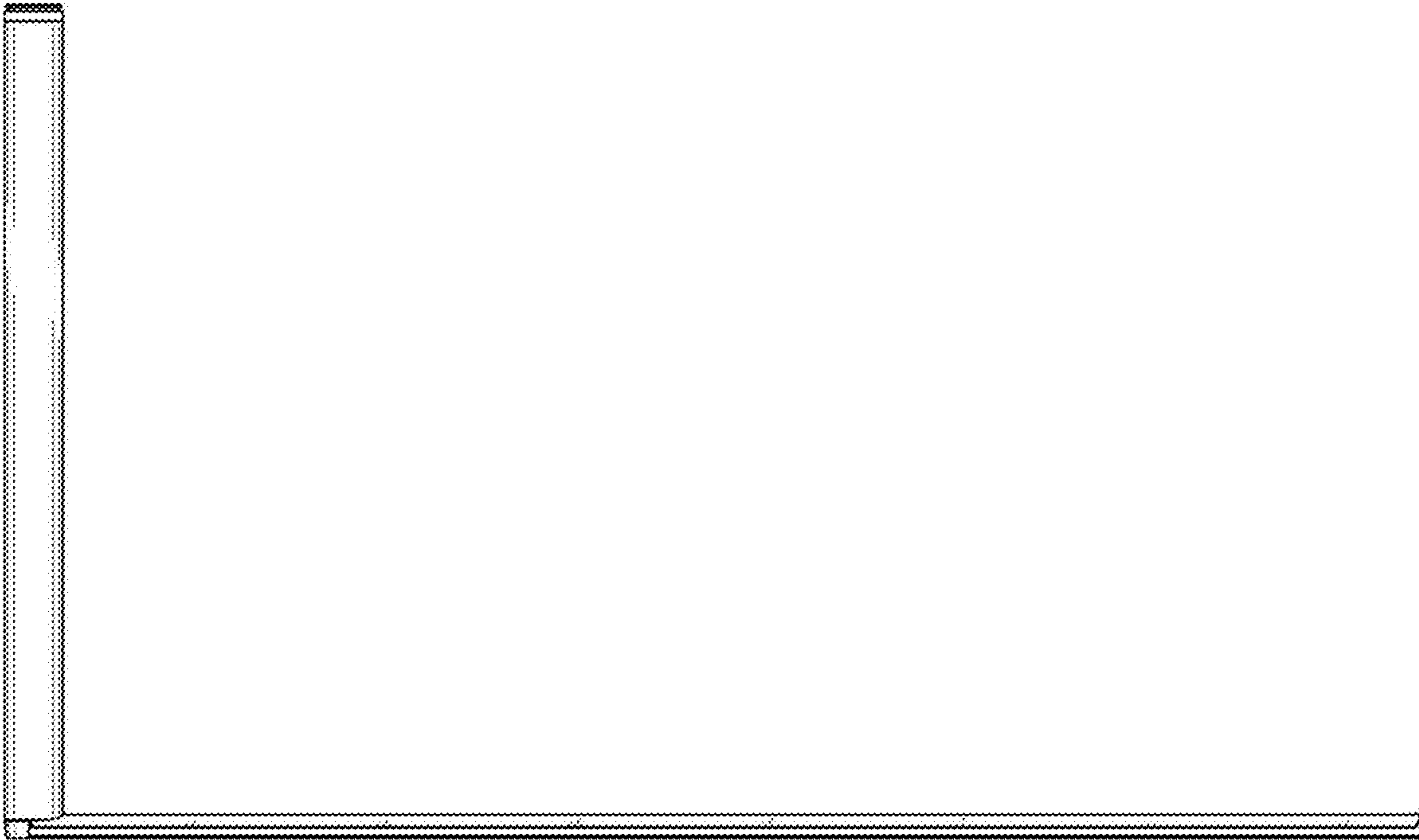
D710,842 S *	8/2014	Ho	D14/341					
D712,401 S *	9/2014	Lee	D14/341					
D713,807 S *	9/2014	Seo	D14/126					
D735,709 S *	8/2015	Daniel	D14/341					
D760,713 S *	7/2016	Sharma	D14/341					
D761,790 S *	7/2016	Yamazaki	D14/341					
D766,198 S *	9/2016	Yoo	D14/126					
D766,854 S *	9/2016	Han	D14/126					
D785,582 S *	5/2017	Lee	D14/126					
D786,814 S *	5/2017	Lee	D14/126					
D792,392 S *	7/2017	Sharma	D14/341					
2005/0188572 A1 *	9/2005	Haggard, Jr.	G09F 7/12					
									40/604
2006/0279840 A1 *	12/2006	Yamauchi	G03B 21/56					
									359/461
2007/0241002 A1 *	10/2007	Wu	G06F 1/1601					
									206/150
2008/0212271 A1 *	9/2008	Misawa	G02F 1/133305					
									361/679.01
2014/0198441 A1 *	7/2014	Sharma	G06F 1/1635					
									361/679.09
2014/0213324 A1 *	7/2014	Tan	H04M 1/0268					
									455/566
2014/0268532 A1 *	9/2014	Nicol	G09F 15/0062					
									361/679.26
2015/0047796 A1 *	2/2015	Peng	E06B 9/42					
									160/323.1

* cited by examiner

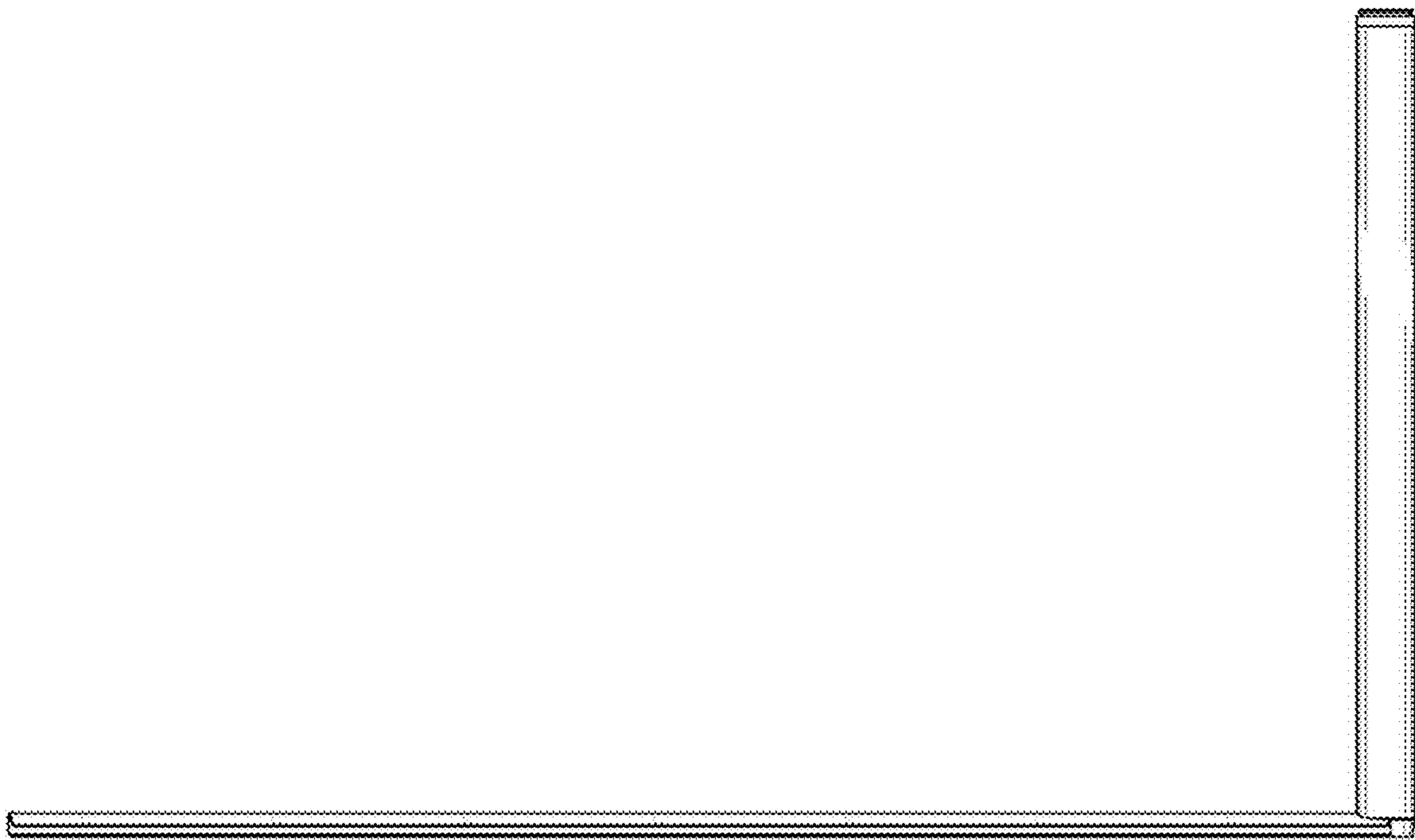
L1



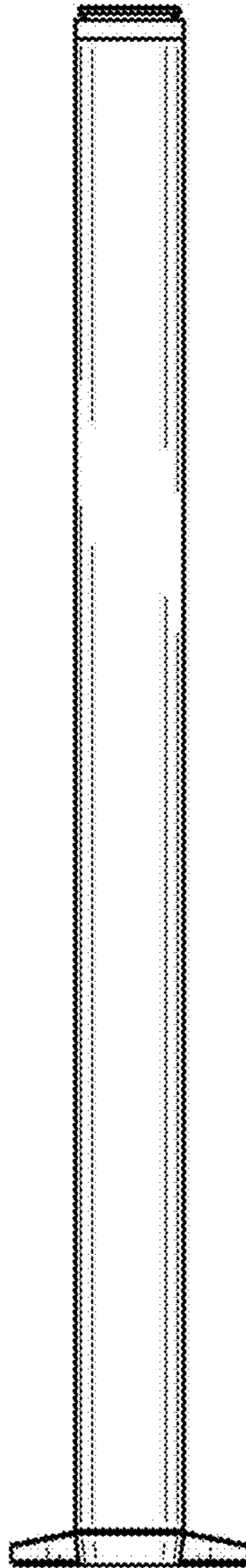
1.2



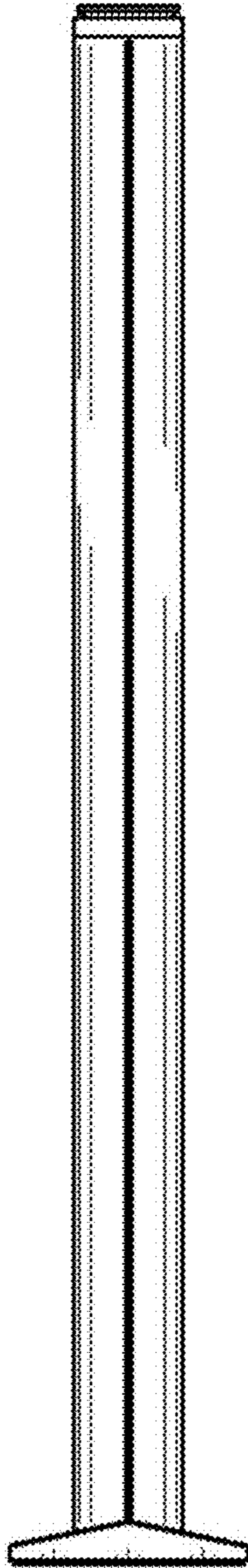
1.3



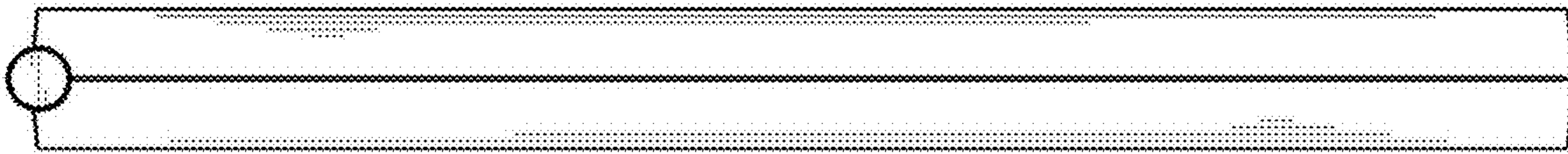
1.4



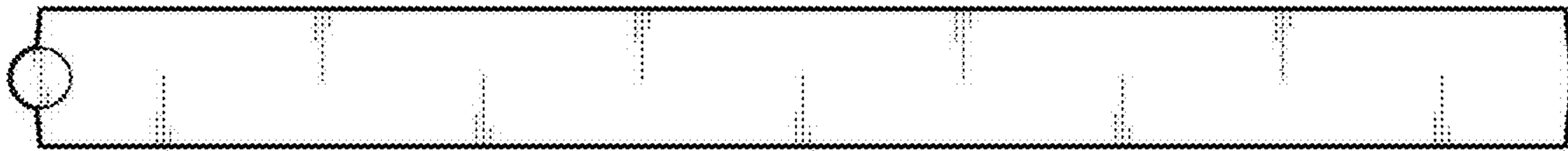
1.5

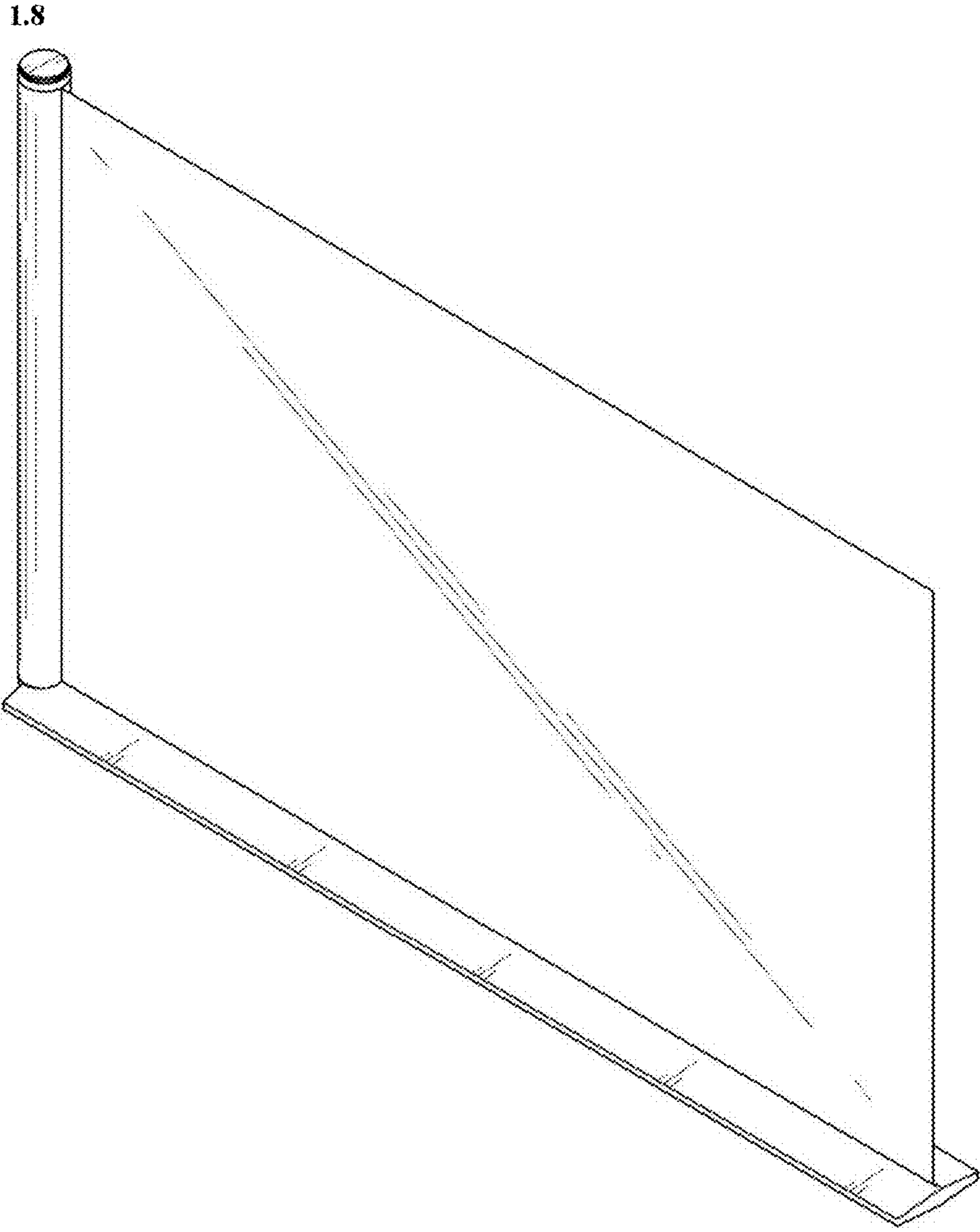


1.6

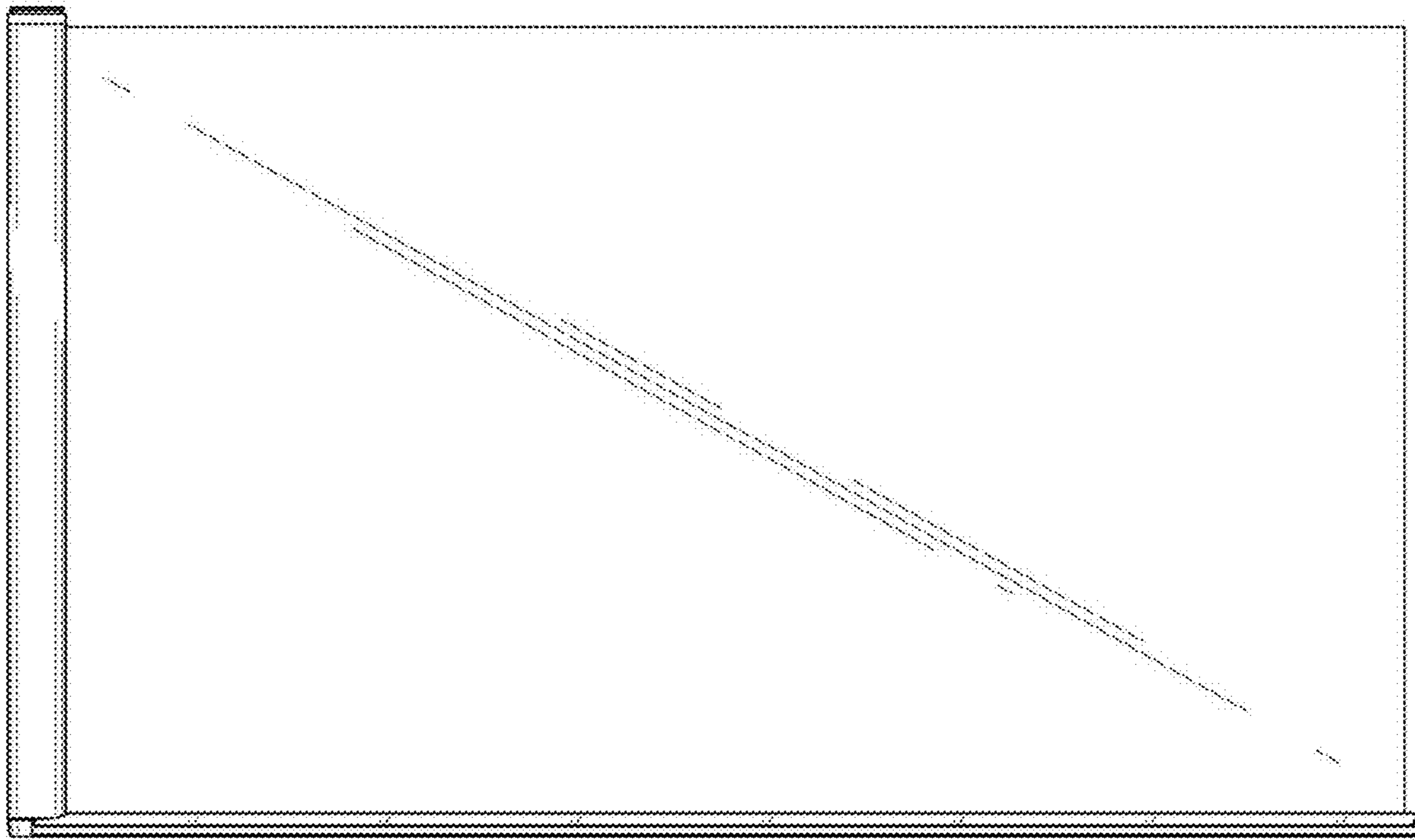


1.7

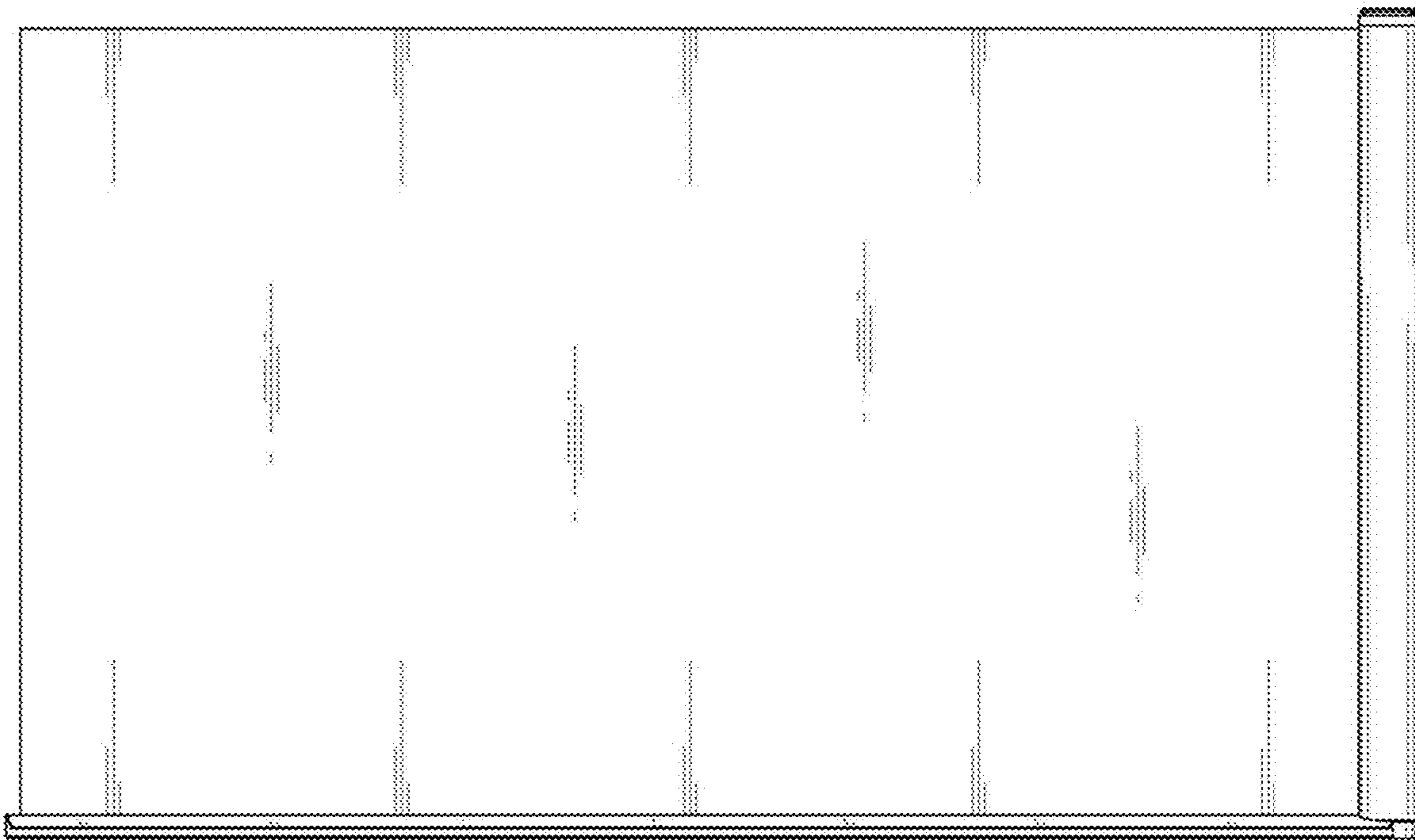




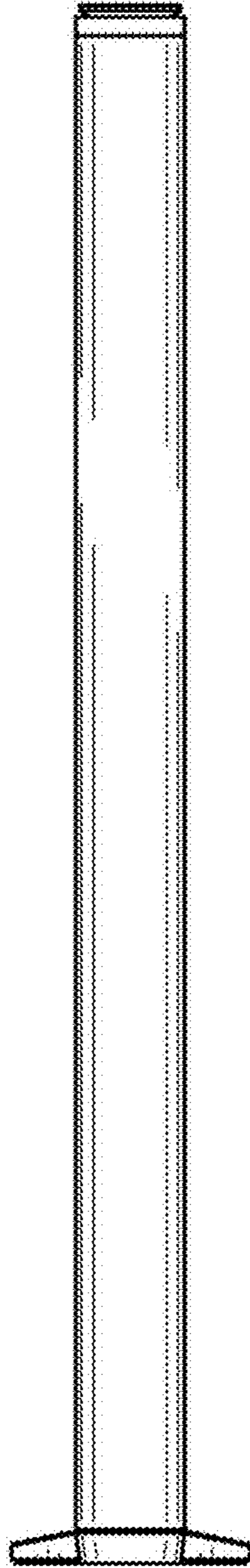
1.9



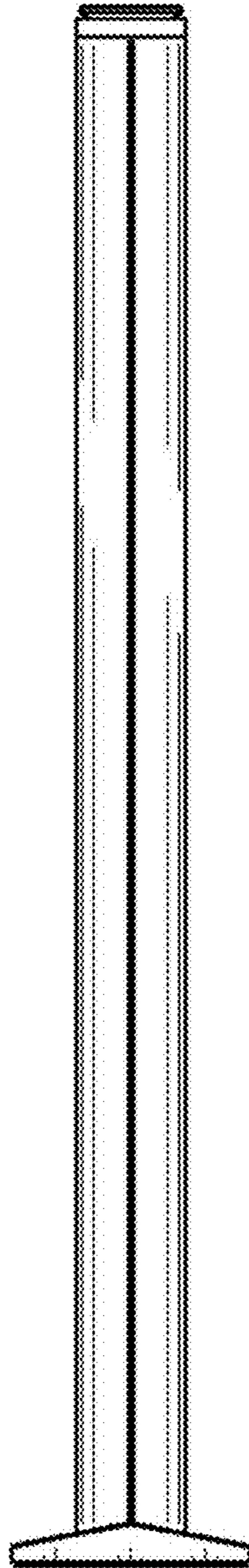
1.10



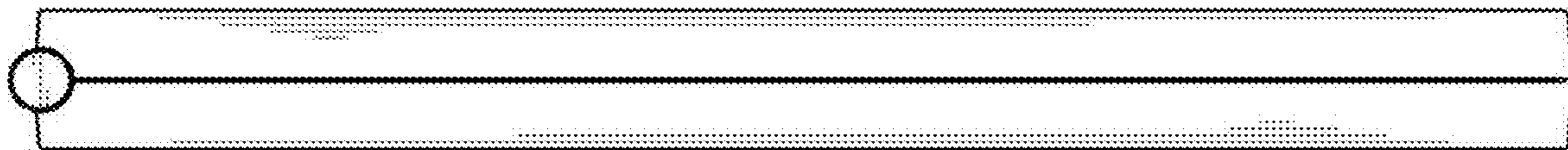
1.11



1.12



1.13



1.14

