



US00D816622S

(12) **United States Design Patent**
Feng et al.

(10) **Patent No.:** **US D816,622 S**

(45) **Date of Patent:** **** May 1, 2018**

- (54) **KNOB**
- (71) Applicant: **HON HAI PRECISION INDUSTRY CO., LTD.**, New Taipei (TW)
- (72) Inventors: **You-Min Feng**, Shenzhen (CN); **Yong Yang**, Shenzhen (CN); **Ke Lv**, Shenzhen (CN); **Ming-Wang Yao**, Shenzhen (CN); **Guo-Sheng Li**, Shenzhen (CN); **Feng Wen**, Shenzhen (CN)
- (73) Assignee: **HON HAI PRECISION INDUSTRY CO., LTD.**, New Taipei (TW)
- (**) Term: **15 Years**
- (21) Appl. No.: **29/582,519**
- (22) Filed: **Oct. 28, 2016**
- (51) **LOC (11) Cl.** **13-03**
- (52) **U.S. Cl.**
USPC **D13/174; D8/312**
- (58) **Field of Classification Search**
USPC D13/162, 171, 174, 177; D8/300, 307, D8/310, 312; D7/393
CPC .. H01H 3/02; H01H 3/08; H01H 3/12; H01H 3/16; H01H 13/04; H01H 13/14; H01H 19/04; H01H 19/14; H05K 5/0017; H05K 5/0026; G05G 1/08; G05G 1/10; G06F 3/0362; H02G 3/14
See application file for complete search history.

(56) **References Cited**

U.S. PATENT DOCUMENTS

- D131,090 S * 1/1942 Schlage D8/312
- 2,444,485 A * 7/1948 Aitchison B63C 9/22
188/83
- D197,231 S * 12/1963 Pomper D8/311

- D202,590 S * 10/1965 Schick D8/312
- D223,801 S * 6/1972 Jensen et al. D8/311
- D245,073 S * 7/1977 Taylor D10/103
- 4,347,758 A * 9/1982 Geil G05G 1/04
74/531
- D268,846 S * 5/1983 Jolliffe D18/12
- D324,411 S * 3/1992 Jolibois D23/250
- D418,390 S * 1/2000 Marquis D8/312
- D445,735 S * 7/2001 Sheu D12/607
- D513,237 S * 12/2005 Langner D13/174
- D774,169 S * 12/2016 Kington D23/254
- D807,308 S * 1/2018 Johnson D13/174
- 2001/0028721 A1 * 10/2001 Stavrou G05G 1/10
381/124
- 2006/0070482 A1 * 4/2006 Steele F16H 59/0278
74/523
- 2006/0237294 A1 * 10/2006 Greer H01H 1/5805
200/313
- 2007/0234831 A1 * 10/2007 Wang G05G 1/10
74/10 R
- 2014/0047944 A1 * 2/2014 Camli F24C 3/126
74/553

(Continued)

Primary Examiner — Selina Sikder

(74) *Attorney, Agent, or Firm* — ScienBiziP, P.C.

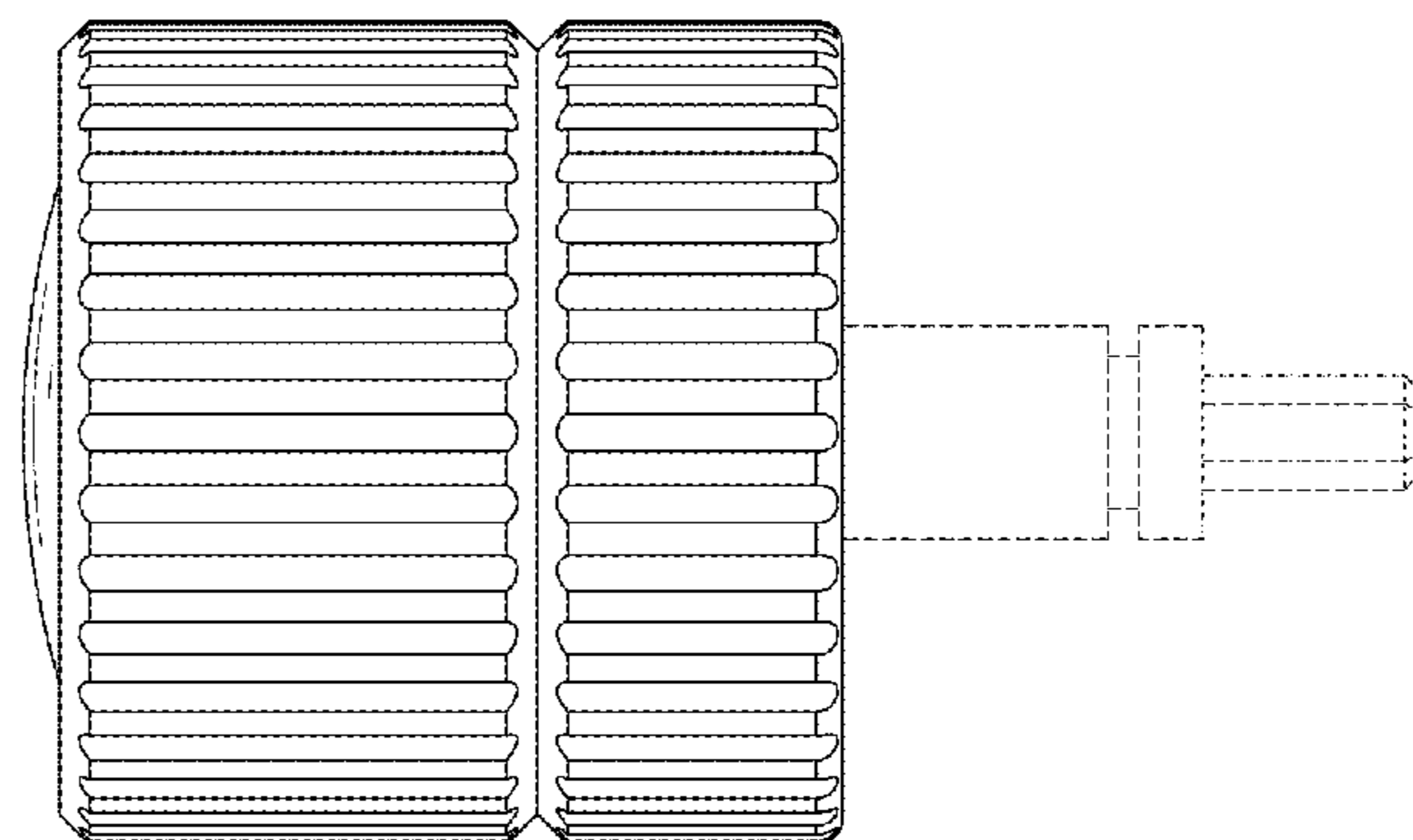
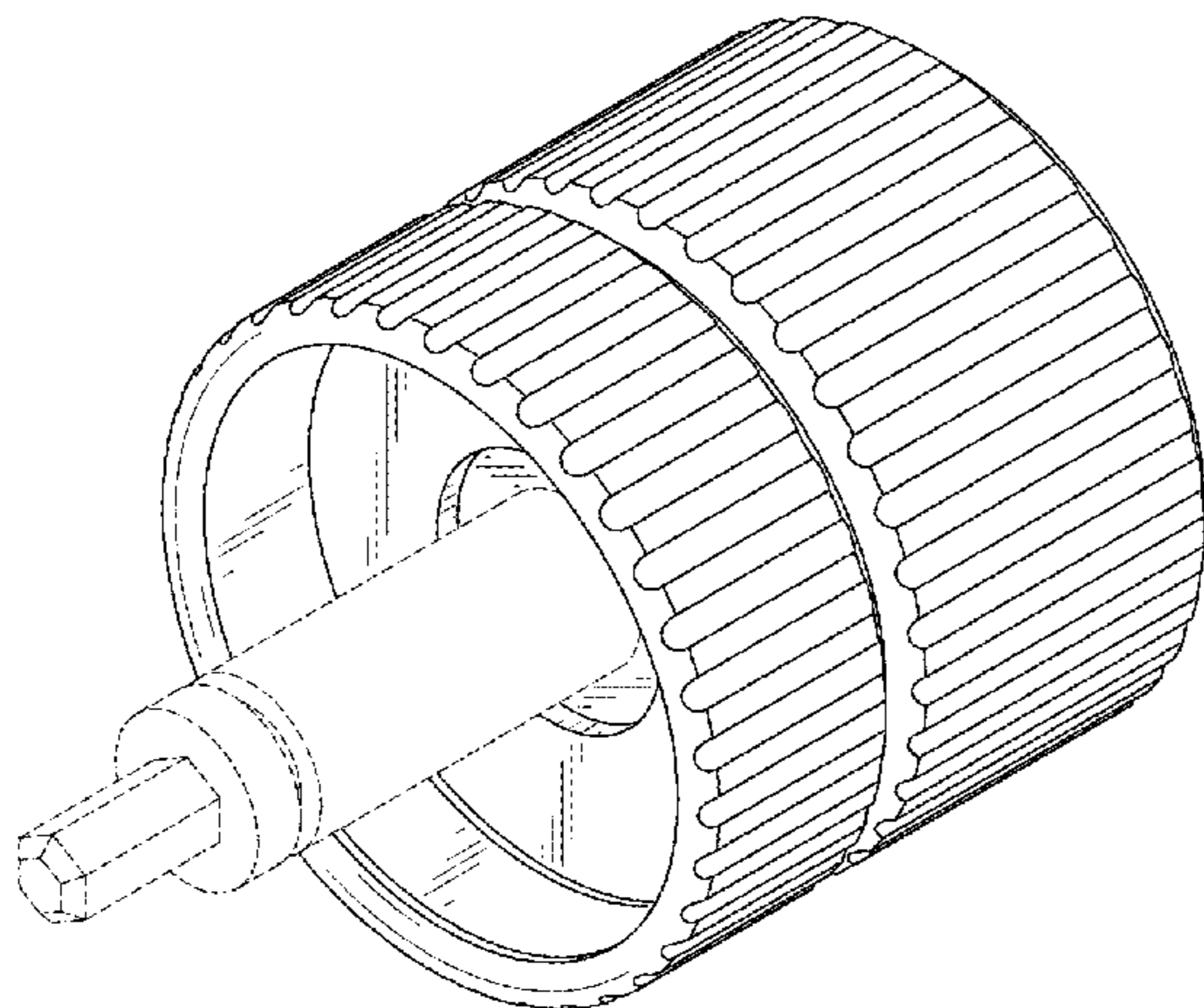
(57) **CLAIM**

The ornamental design for a knob, as shown and described.

DESCRIPTION

FIG. 1 is a perspective view of a knob showing our design; FIG. 2 is a front view of the knob of FIG. 1; FIG. 3 is a rear view of the knob of FIG. 1; FIG. 4 is a left-side view of the knob of FIG. 1; FIG. 5 is a right-side view of the knob of FIG. 1; FIG. 6 is a top planar view of the knob of FIG. 1; and, FIG. 7 is a bottom planar view of the knob of FIG. 1. The broken lines are for illustrative purposes only and form no part of the claimed designs.

1 Claim, 7 Drawing Sheets



(56)

References Cited

U.S. PATENT DOCUMENTS

2014/0083237 A1* 3/2014 Kim G05G 1/10
74/501.6
2015/0331441 A1* 11/2015 Ho H05K 5/0239
361/752

* cited by examiner

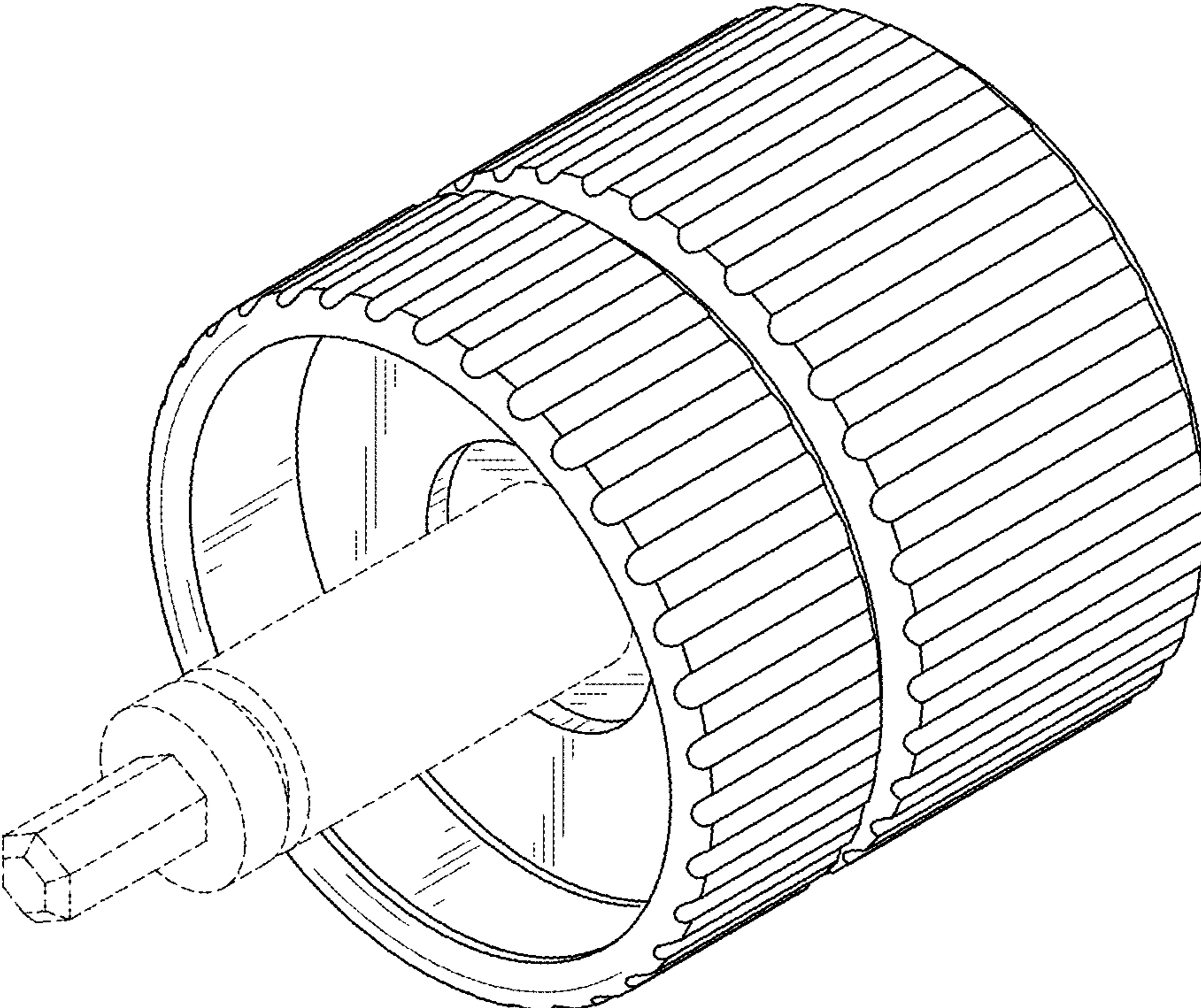


FIG. 1

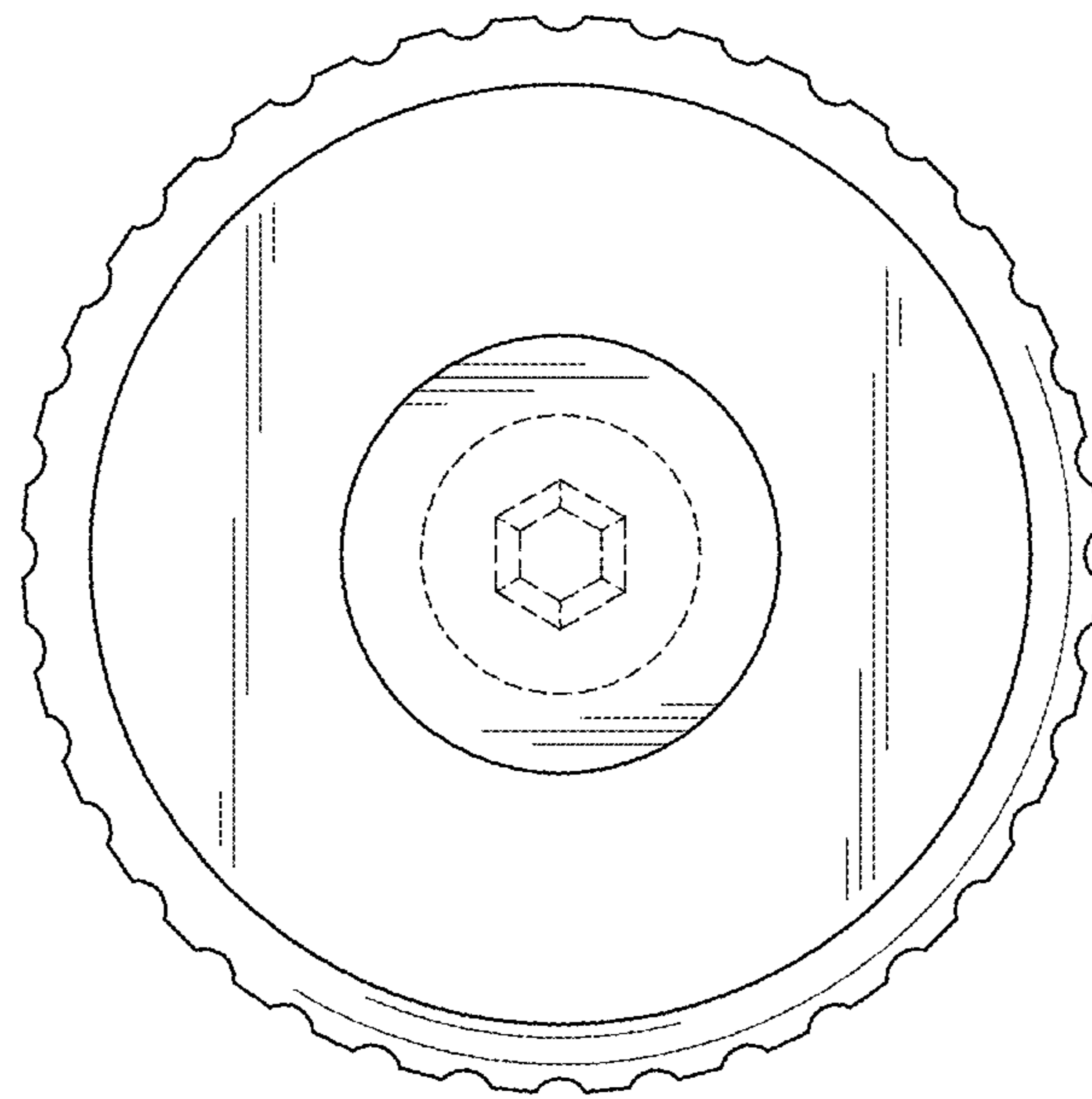


FIG. 2

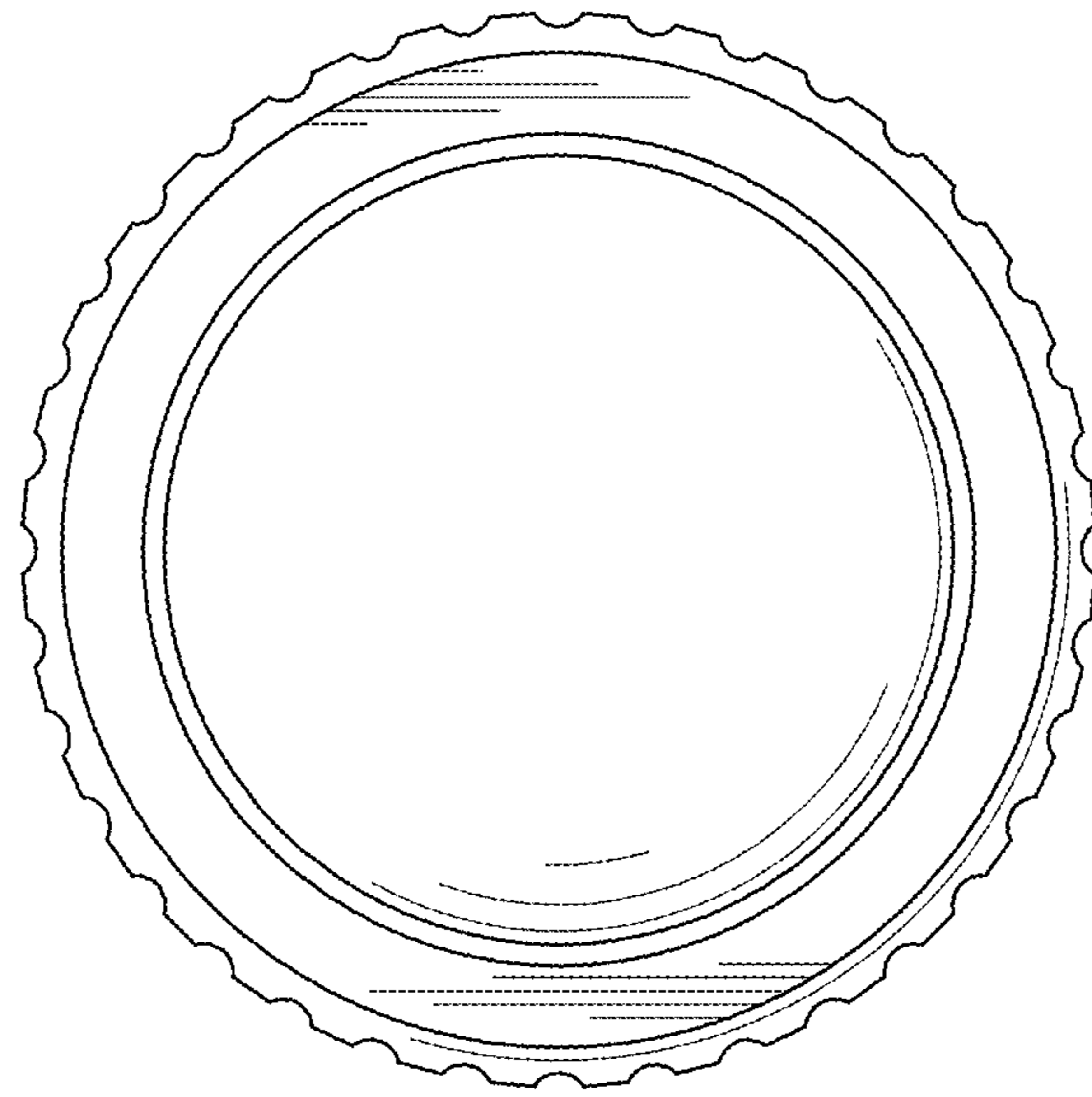


FIG. 3

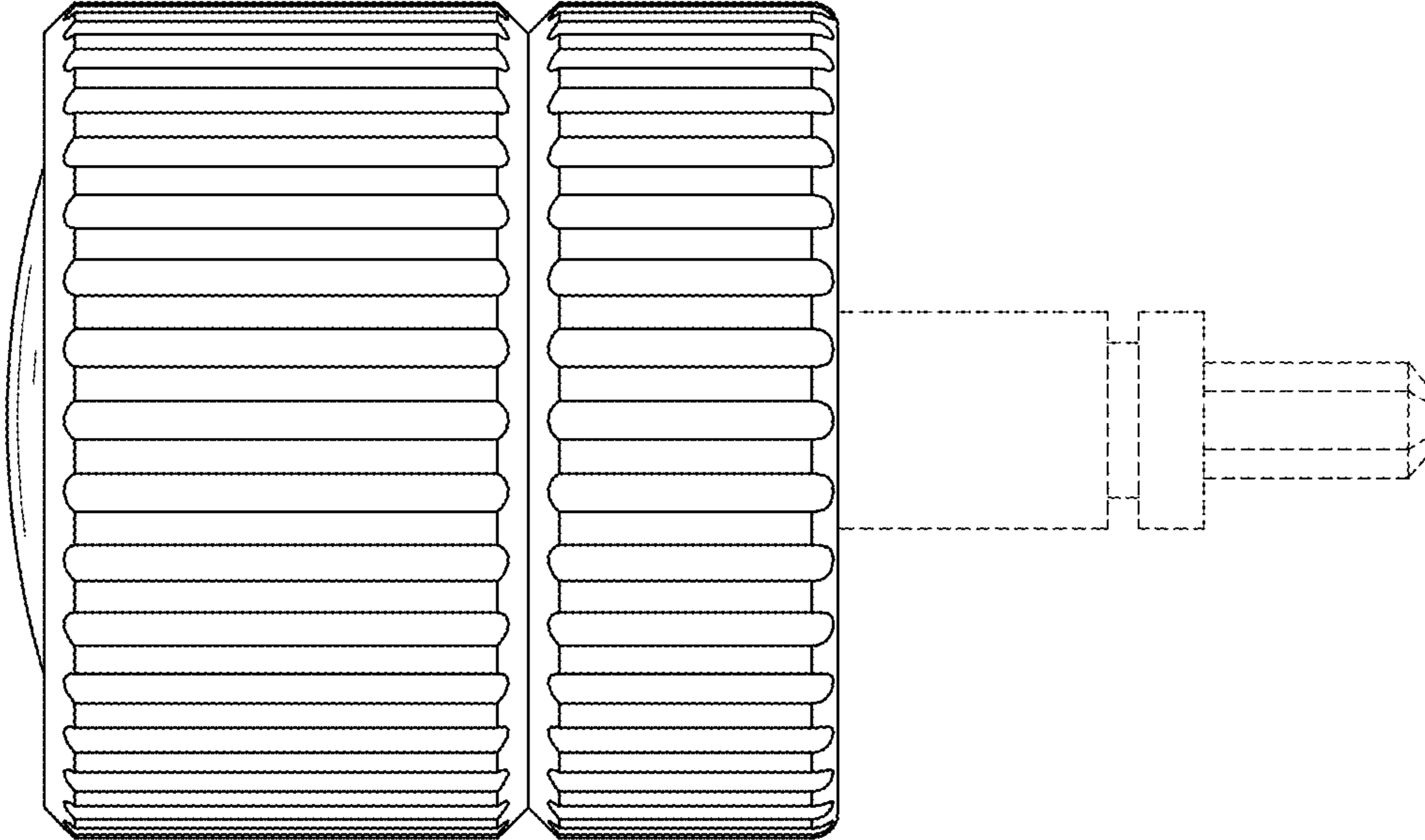


FIG. 4

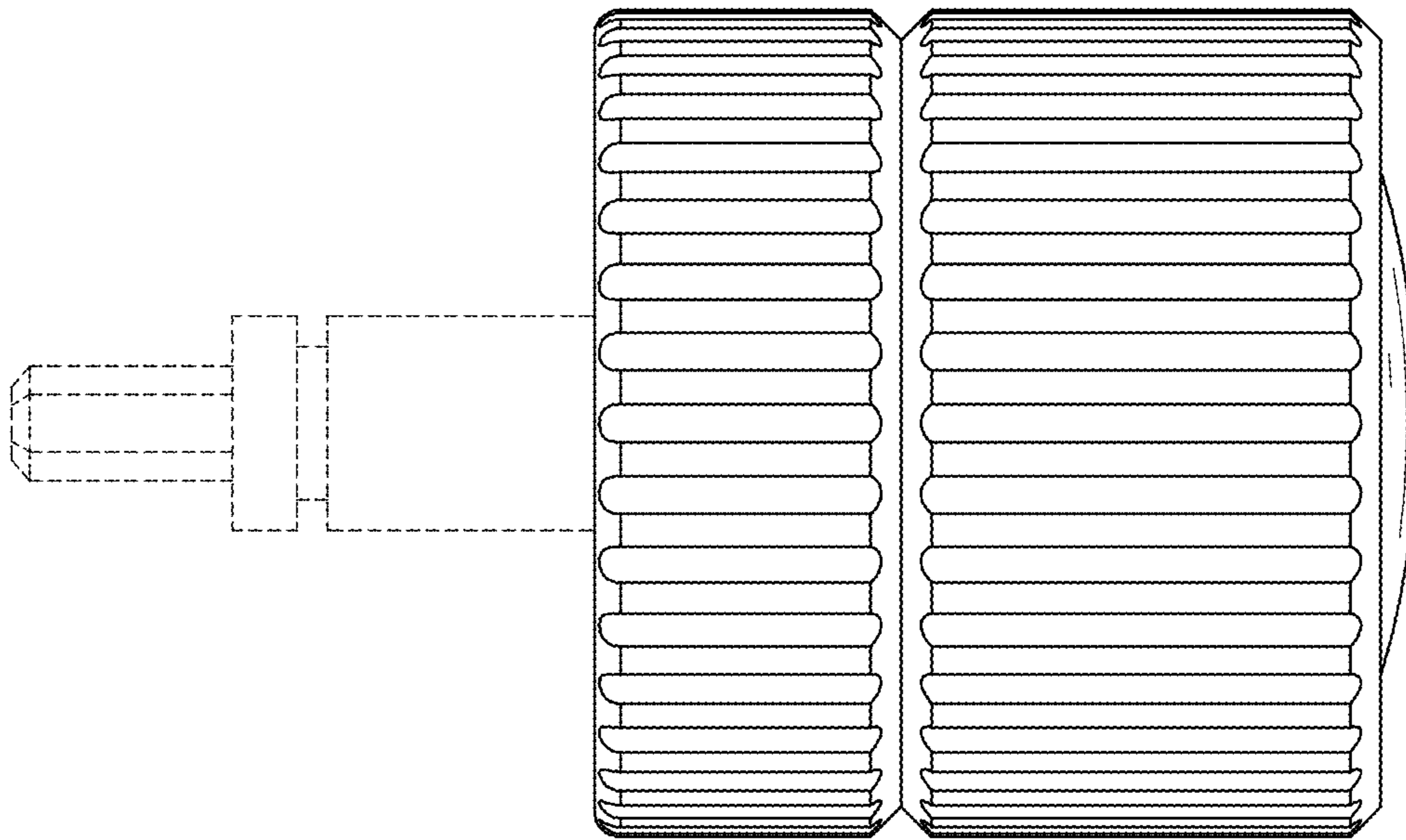


FIG. 5

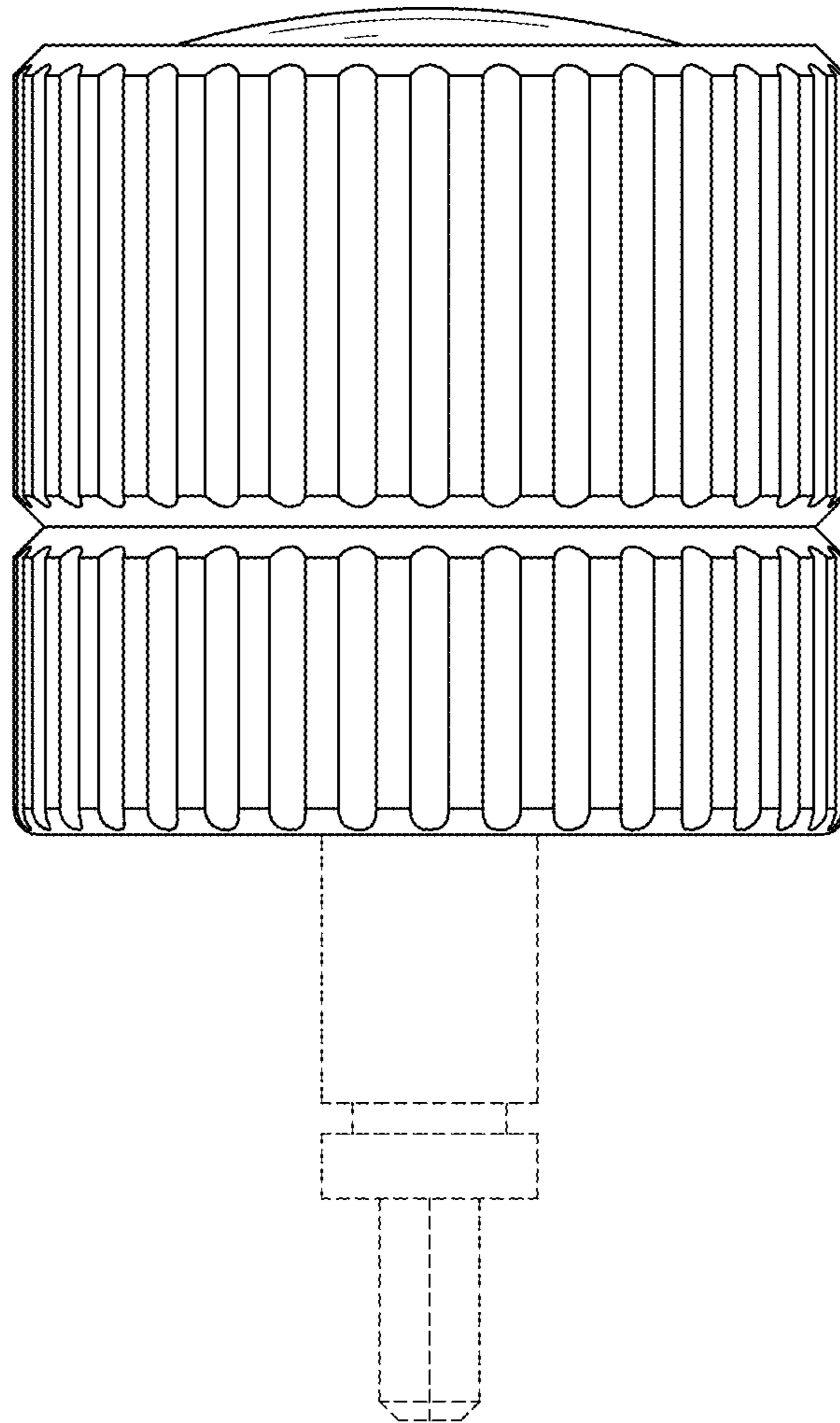


FIG. 6

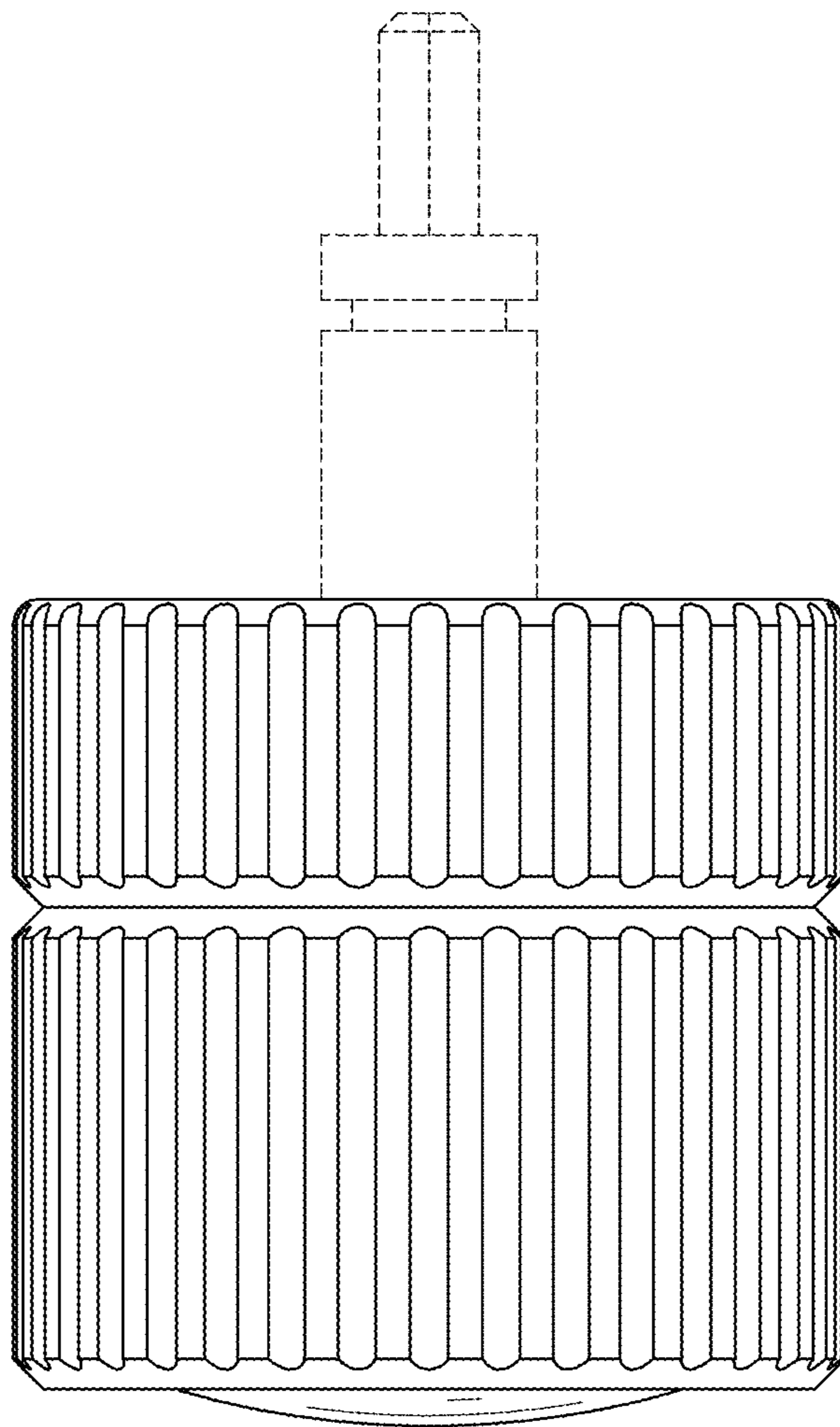


FIG. 7

UNITED STATES PATENT AND TRADEMARK OFFICE
CERTIFICATE OF CORRECTION

PATENT NO. : D816,622 S
APPLICATION NO. : 29/582519
DATED : May 1, 2018
INVENTOR(S) : You-Min Feng et al.

Page 1 of 1

It is certified that error appears in the above-identified patent and that said Letters Patent is hereby corrected as shown below:

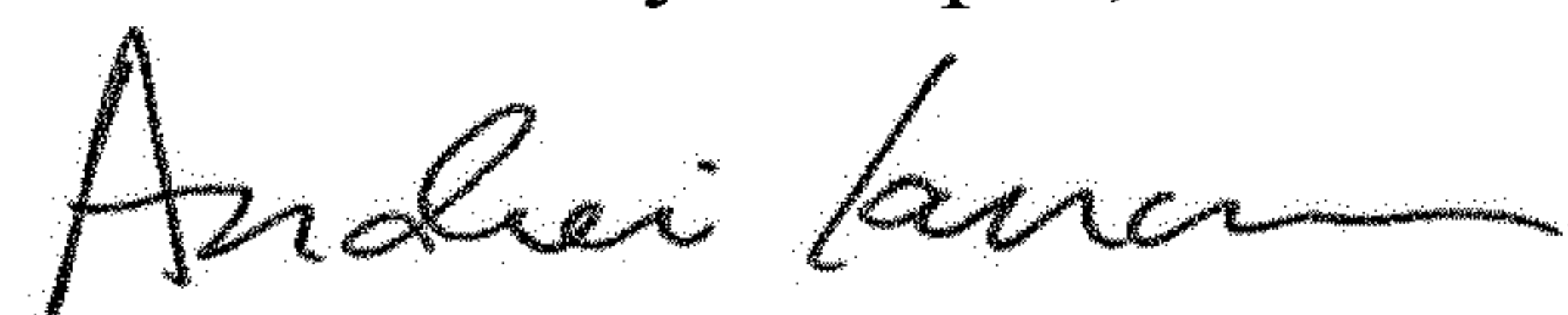
On the Title Page

Please add item (30) regarding "Foreign Application Priority Data" with the following:

(30) Foreign Application Priority Data

Sep. 23, 2016 (CN).....201630480493.3

Signed and Sealed this
Ninth Day of April, 2019



Andrei Iancu
Director of the United States Patent and Trademark Office