



US00D816619S

(12) **United States Design Patent**
Murphy et al.

(10) **Patent No.:** **US D816,619 S**

(45) **Date of Patent:** **** May 1, 2018**

(54) **BUSBAR**

(71) Applicant: **General Electric Company,**
Schenectady, NY (US)

(72) Inventors: **Mark Allen Murphy,** Erie, PA (US);
Jeffrey Wolff, Girard, PA (US); **Jason**
Kuttenkuler, Erie, PA (US); **Henry**
Young, Erie, PA (US)

(73) Assignee: **General Electric Company,**
Schenectady, NY (US)

(**) Term: **15 Years**

(21) Appl. No.: **29/593,225**

(22) Filed: **Feb. 7, 2017**

(51) **LOC (11) Cl.** **13-03**

(52) **U.S. Cl.**

USPC **D13/154; D13/147**

(58) **Field of Classification Search**

USPC D13/123, 133, 146, 147, 154, 184, 199

CPC . H01R 9/24; H01R 9/26; H01R 12/00; H01R

25/14; H01R 25/16; H01R 13/46; H01R

24/76; H01M 10/02; H01M 2/30; H01M

43/00; H01M 5/02; H02K 5/22; H02K

5/25; H02K 3/18; H02K 5/52

See application file for complete search history.

(56) **References Cited**

U.S. PATENT DOCUMENTS

D742,328 S * 11/2015 Murphy D13/147

D743,896 S 11/2015 Murphy et al.

D743,897 S 11/2015 Krivonak et al.

D743,898 S	11/2015	Murphy et al.	
D743,899 S	11/2015	Murphy et al.	
D743,900 S	11/2015	Murphy et al.	
D743,901 S	11/2015	Murphy et al.	
D743,902 S	11/2015	Murphy et al.	
D743,903 S	11/2015	Krivonak et al.	
D743,910 S	11/2015	Murphy et al.	
D759,602 S	6/2016	Murphy et al.	
D760,655 S	7/2016	Murphy et al.	
D760,658 S	7/2016	Perlaguri et al.	
D760,664 S *	7/2016	Murphy	D13/147
D784,265 S *	4/2017	Perlaguri	D13/147

* cited by examiner

Primary Examiner — Daniel Bui

(74) *Attorney, Agent, or Firm* — GE Global Patent
Operation; John A. Kramer

(57) **CLAIM**

The ornamental design for a busbar, as shown and described.

DESCRIPTION

FIG. 1 is a top perspective view of a busbar showing our new design;

FIG. 2 is a bottom perspective view thereof;

FIG. 3 is a top plan view thereof;

FIG. 4 is a bottom plan view thereof;

FIG. 5 is a front elevational view thereof;

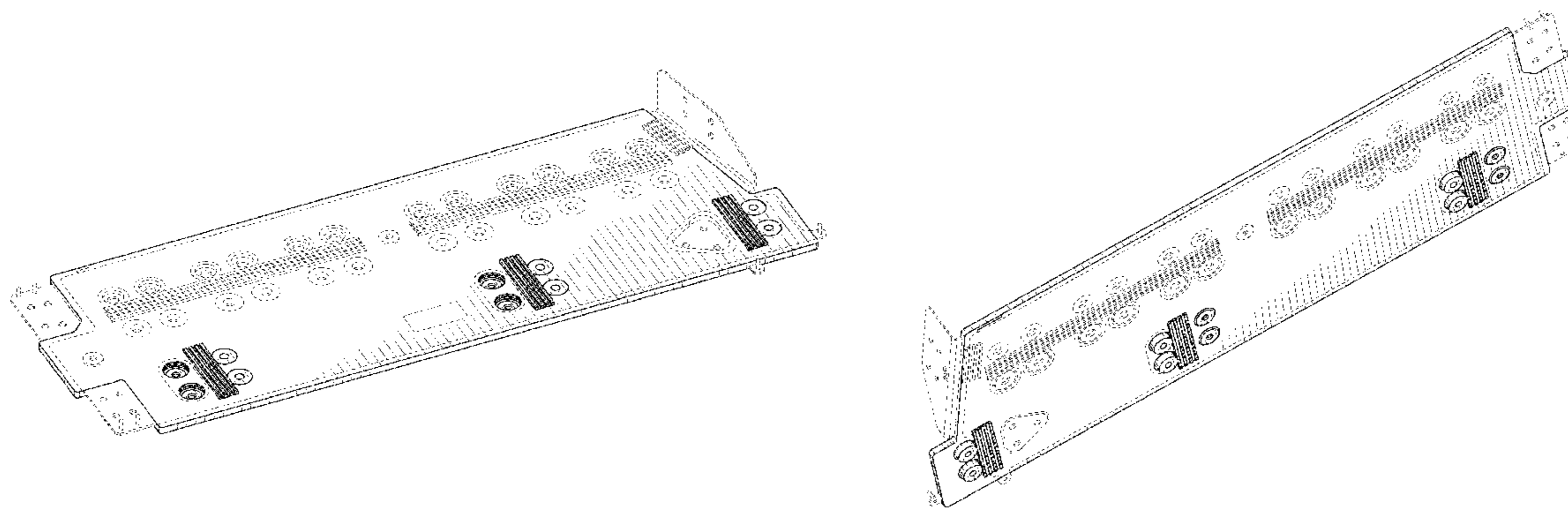
FIG. 6 is a rear elevational view thereof;

FIG. 7 is a left side elevational view thereof; and,

FIG. 8 is a right side elevational view thereof.

The broken line portion of the figure drawings is included to show unclaimed subject matter only and forms no part of the claimed designs.

1 Claim, 5 Drawing Sheets



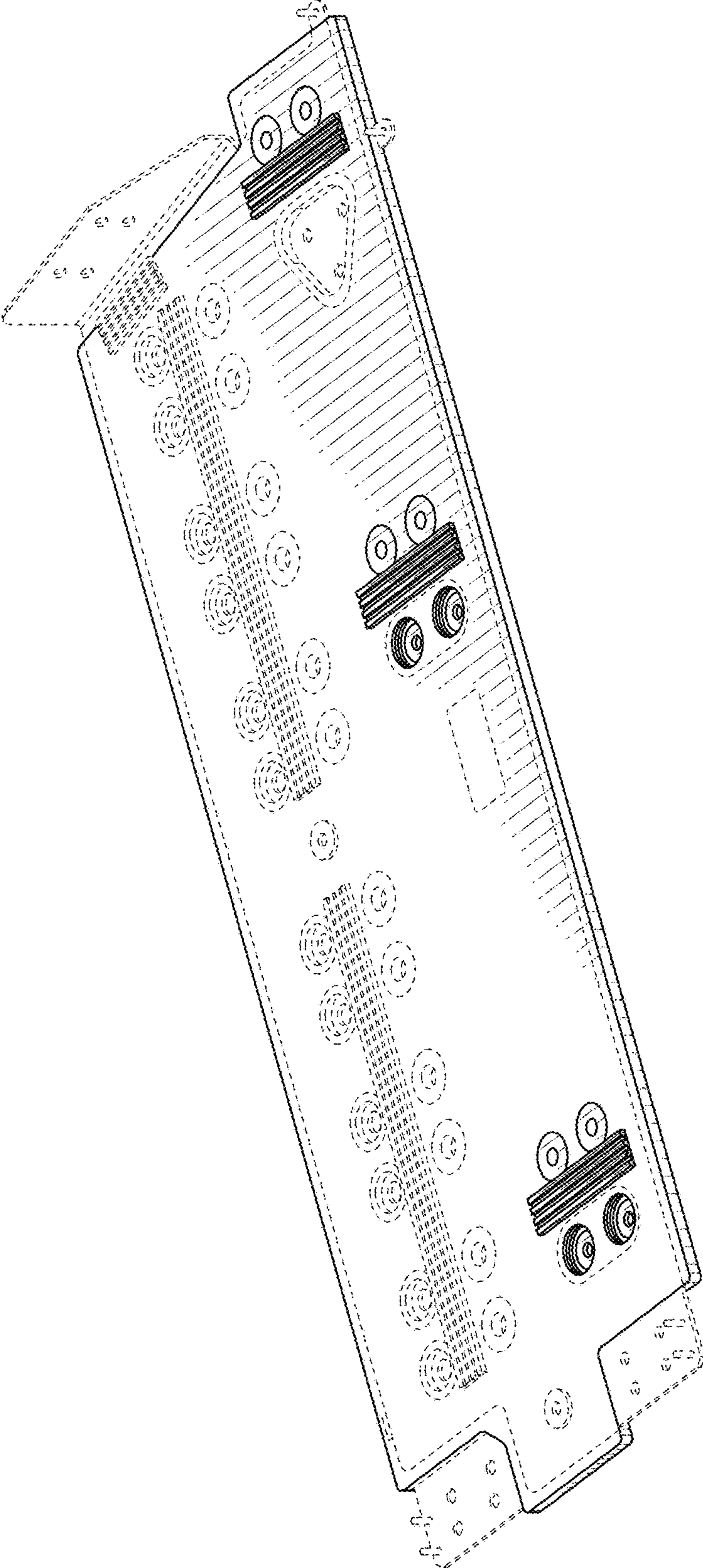


FIG. 1

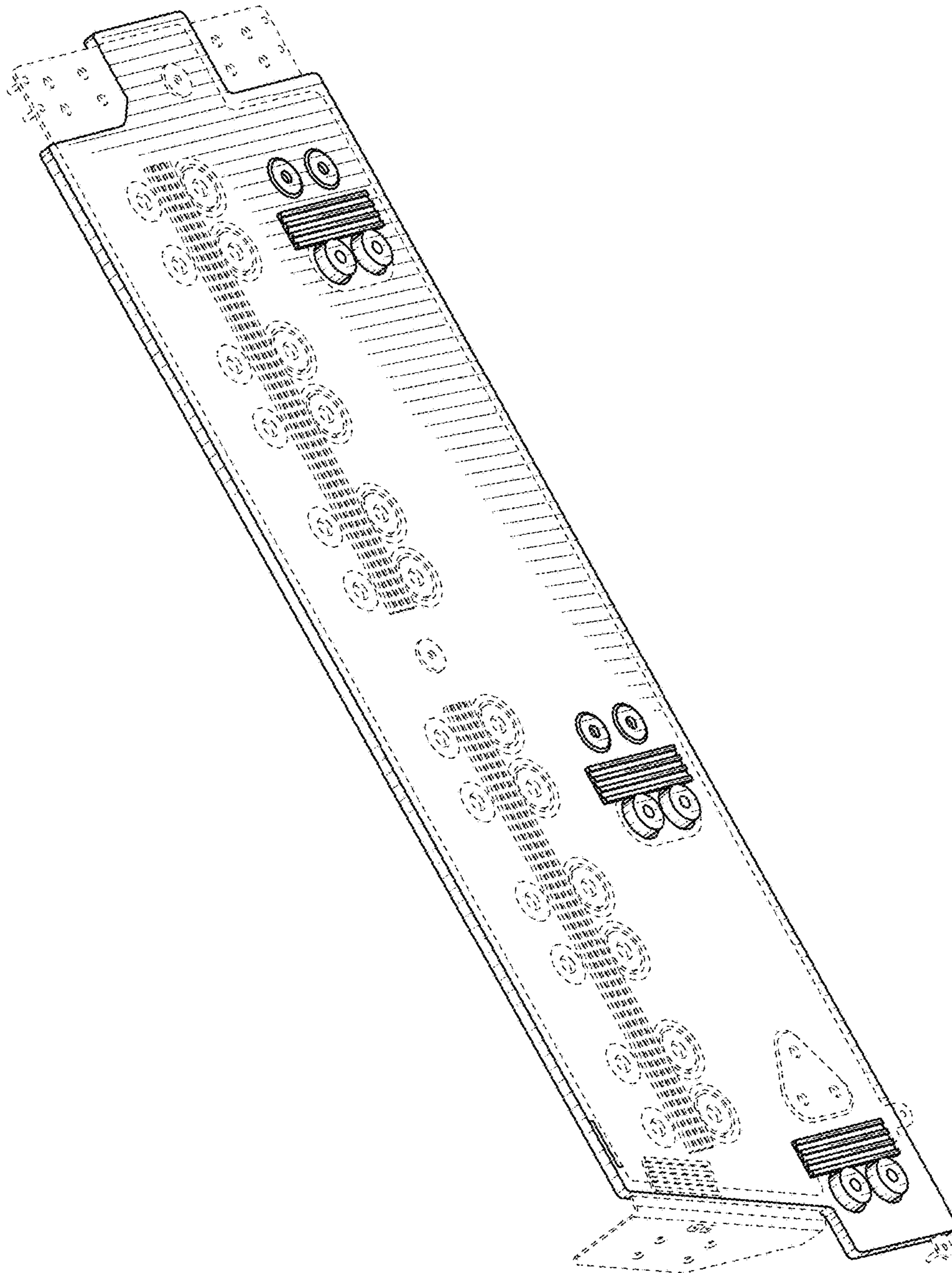


FIG. 2

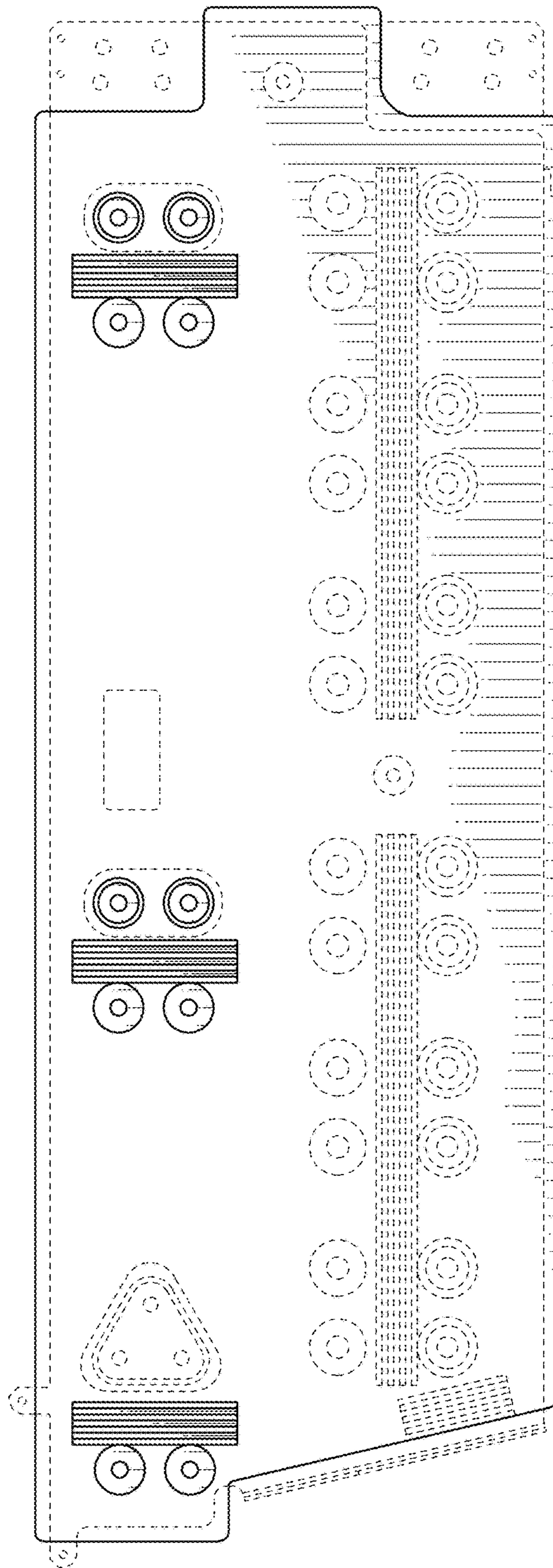


FIG. 3

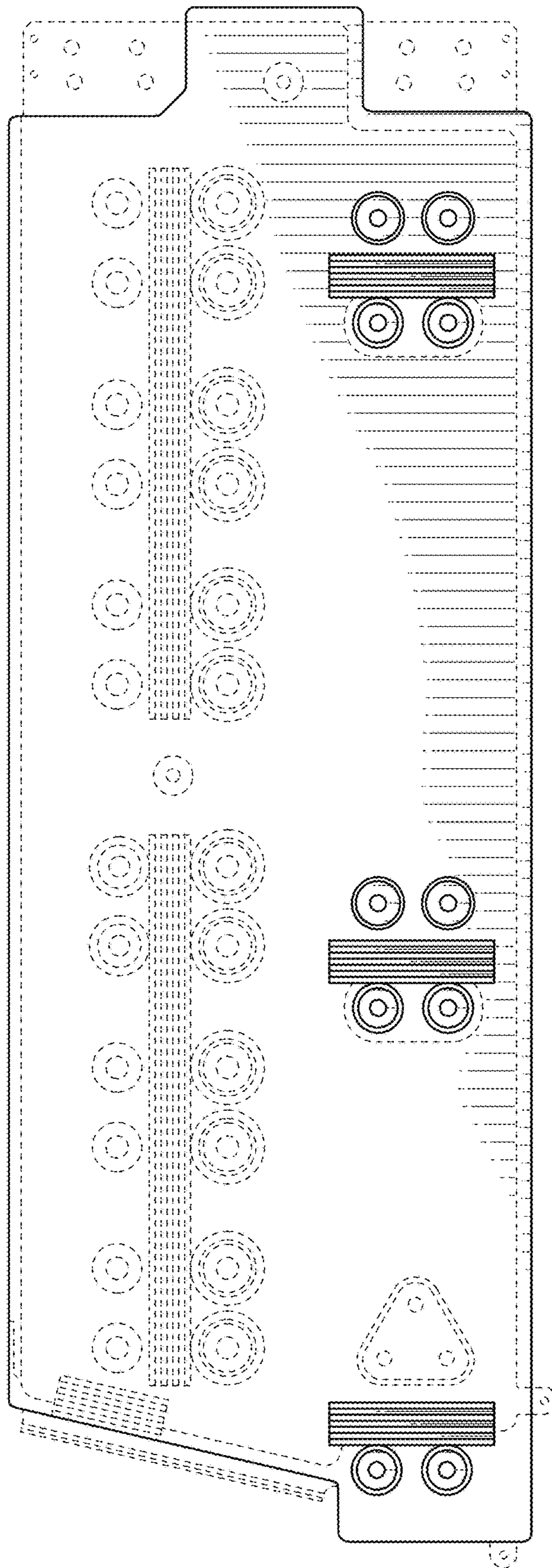


FIG. 4

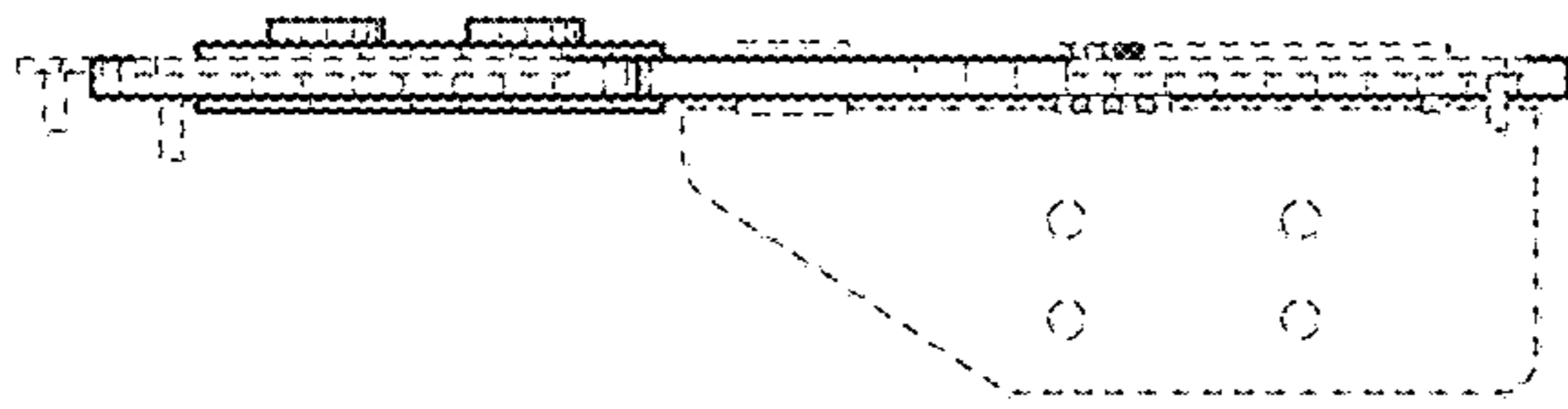


FIG. 5

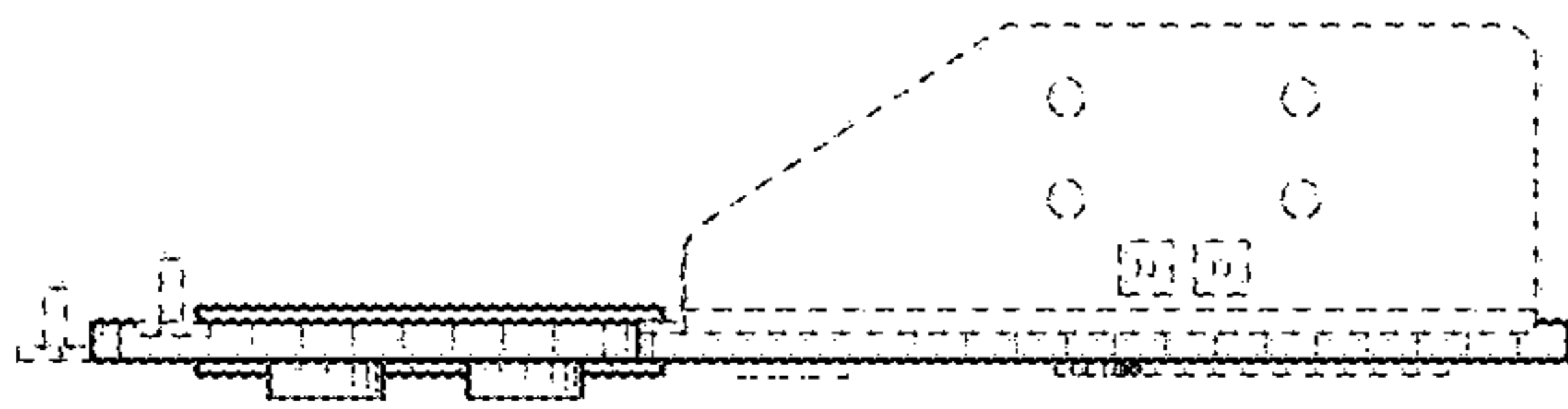


FIG. 6

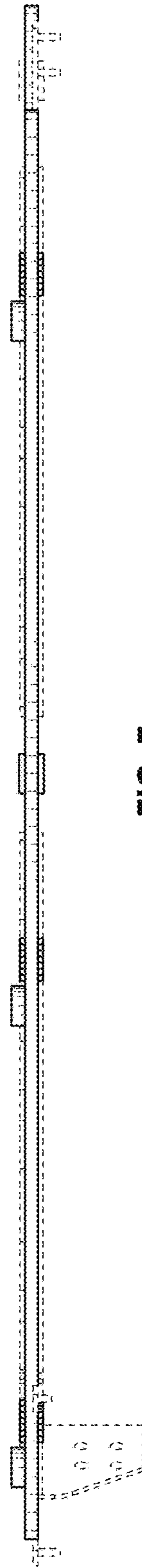


FIG. 7

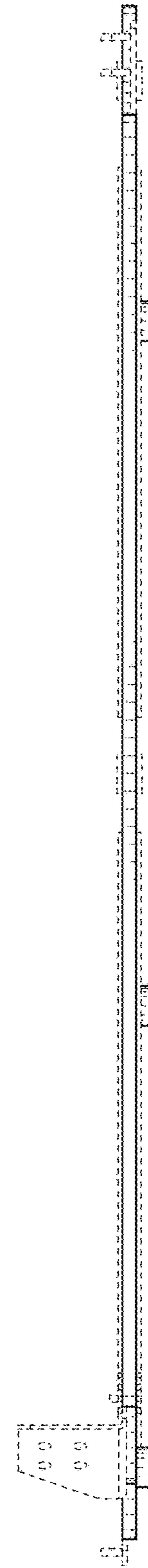


FIG. 8