



US00D816618S

(12) **United States Design Patent**  
**Mikawa**

(10) **Patent No.:** **US D816,618 S**

(45) **Date of Patent:** **\*\* May 1, 2018**

- (54) **TRAY FOR CARD CONNECTOR**
- (71) Applicant: **JAPAN AVIATION ELECTRONICS INDUSTRY, LIMITED**, Tokyo (JP)
- (72) Inventor: **Kazuya Mikawa**, Tokyo (JP)
- (73) Assignee: **Japan Aviation Electronics Industry, Limited**, Tokyo (JP)
- (\*\*) Term: **15 Years**

(21) Appl. No.: **29/584,628**

(22) Filed: **Nov. 16, 2016**

(30) **Foreign Application Priority Data**

Jun. 1, 2016 (JP) ..... 2016-011758

(51) **LOC (11) Cl.** ..... **13-03**

(52) **U.S. Cl.**  
USPC ..... **D13/154**

(58) **Field of Classification Search**  
USPC ..... D13/133, 147, 154; D14/435  
CPC .. G06K 7/0021; G06K 13/08; G06K 13/1831;  
G06K 13/085; H01R 13/633; H04B  
1/3816  
See application file for complete search history.

(56) **References Cited**

**U.S. PATENT DOCUMENTS**

- D631,847 S \* 2/2011 Ma ..... H05K 7/1053  
D13/154
- D642,129 S \* 7/2011 Ohkuma ..... D13/133
- D719,517 S \* 12/2014 Yeh ..... D13/154
- 9,647,359 B2 \* 5/2017 Cho ..... H04B 1/3816
- 9,774,359 B2 \* 9/2017 Nagase ..... H04B 1/3816
- 2012/0276765 A1 \* 11/2012 Nakase ..... H04M 1/026  
439/159
- 2013/0005166 A1 \* 1/2013 Lim ..... G06K 13/08  
439/157

- 2013/0196523 A1 \* 8/2013 Lim ..... G06K 7/0021  
439/153
- 2013/0314854 A1 \* 11/2013 Chung ..... H05K 5/0239  
361/679.01
- 2014/0377976 A1 \* 12/2014 Tsai ..... G06K 7/0069  
439/345
- 2015/0050841 A1 \* 2/2015 Okoshi ..... G06K 7/0021  
439/630
- 2015/0056851 A1 \* 2/2015 Zhang ..... H04B 1/3816  
439/527
- 2015/0155651 A1 \* 6/2015 Ejiri ..... H01R 13/5213  
439/521

(Continued)

**FOREIGN PATENT DOCUMENTS**

JP 1474740 S 7/2013

*Primary Examiner* — Selina Sikder

(74) *Attorney, Agent, or Firm* — Cermak Nakajima & McGowan LLP; Tomoko Nakajima

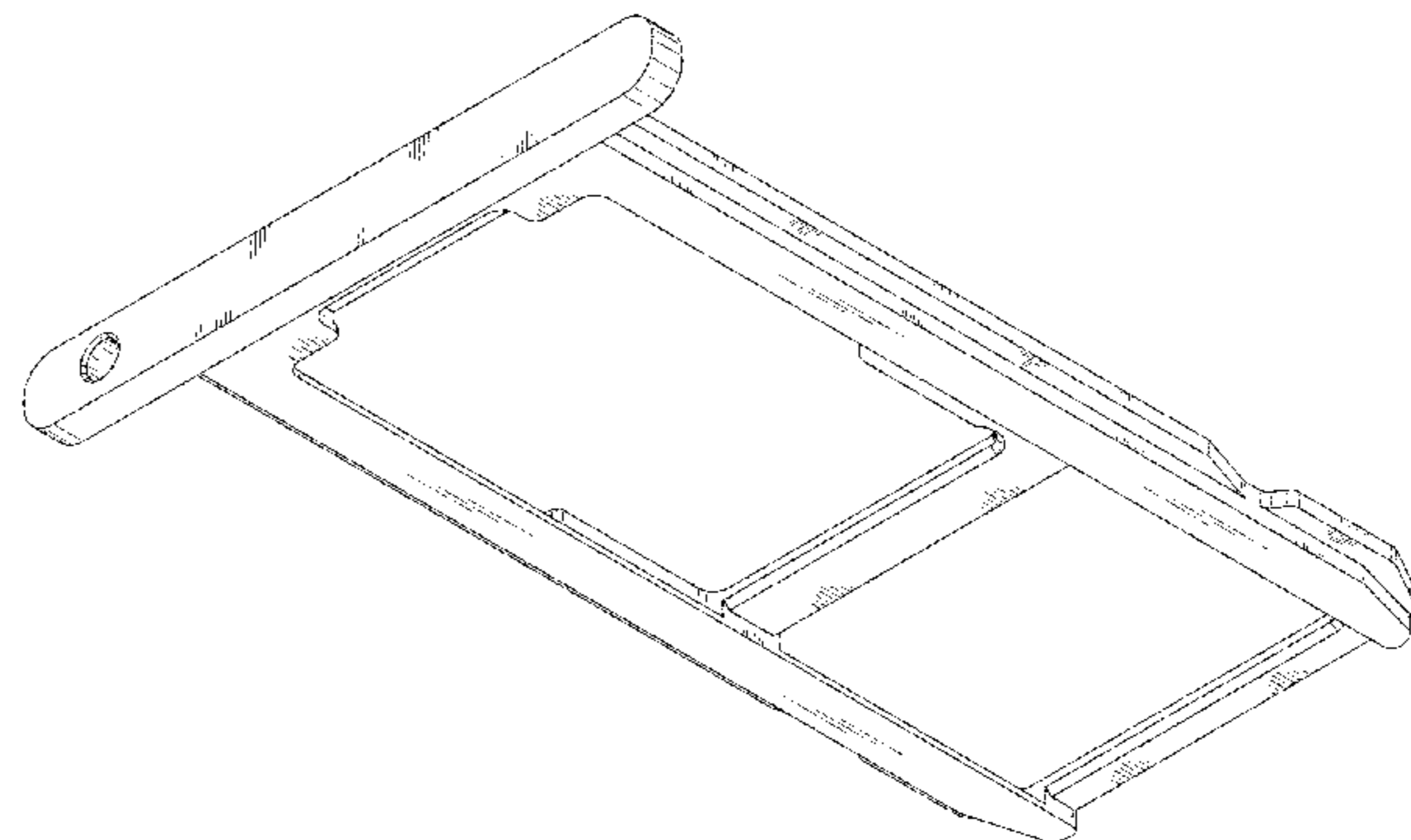
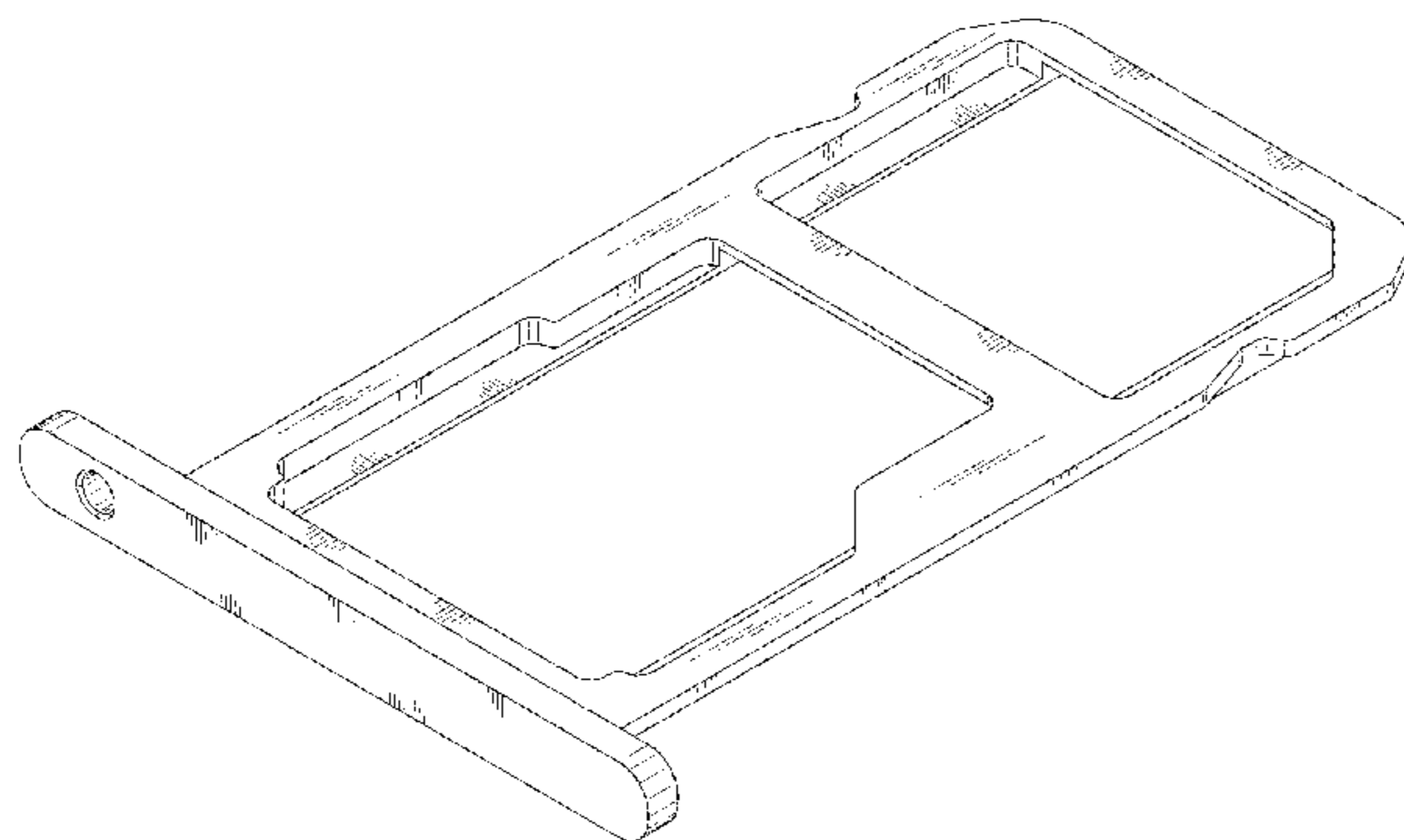
(57) **CLAIM**

The ornamental design for a tray for card connector, as shown.

**DESCRIPTION**

FIG. 1 is a front elevational view of a tray for a card connector showing my new design; FIG. 2 is a top plan view thereof; FIG. 3 is a right side elevational view thereof; FIG. 4 is a left side elevational view thereof; FIG. 5 is a rear elevational view thereof; and FIG. 6 is a bottom plan view thereof. FIG. 7 is a front and top perspective view thereof; FIG. 8 is a rear and top perspective view thereof; FIG. 9 is a front and bottom perspective view thereof; and FIG. 10 is a rear and bottom perspective view thereof; and, FIG. 11 is a cross sectional view thereof taken along the line A-A shown in FIG. 2.

**1 Claim, 12 Drawing Sheets**



(56)

**References Cited**

U.S. PATENT DOCUMENTS

2016/0006158 A1\* 1/2016 Lu ..... G06K 13/08  
439/630  
2016/0036143 A1\* 2/2016 Motohashi ..... H01R 13/635  
439/160  
2016/0036172 A1\* 2/2016 Wang ..... G06K 19/00  
439/620.21  
2016/0111801 A1\* 4/2016 Zeng ..... H01R 12/7076  
439/660  
2016/0164204 A1\* 6/2016 Cho ..... H04B 1/3816  
439/152  
2016/0164205 A1\* 6/2016 Nagase ..... G06K 13/08  
439/159  
2016/0359267 A1\* 12/2016 Hu ..... G06K 7/0021  
2017/0077629 A1\* 3/2017 Ferenczi ..... G06K 7/00  
2017/0162982 A1\* 6/2017 Wu ..... H04B 1/3816  
2017/0172004 A1\* 6/2017 Yang ..... H05K 5/0286  
2017/0207558 A1\* 7/2017 Chen ..... H01R 12/7052  
2017/0207591 A1\* 7/2017 Chen ..... H01R 13/6581  
2017/0250480 A1\* 8/2017 Park ..... H01R 12/7094

\* cited by examiner

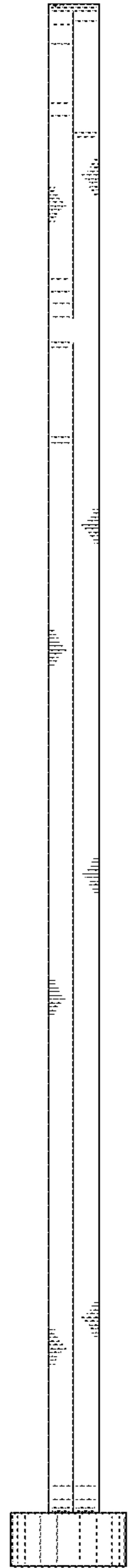


FIG.1

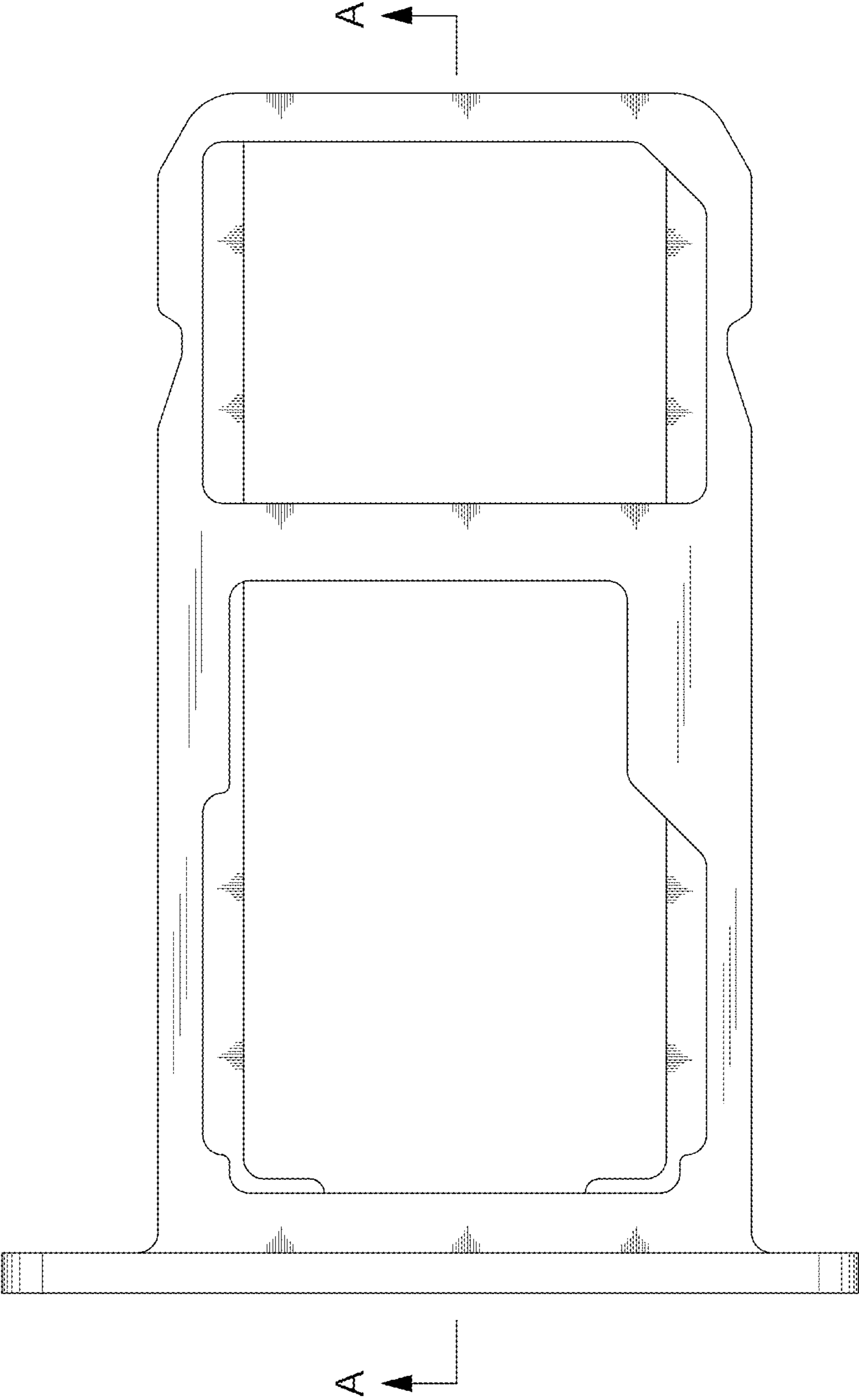


FIG.2

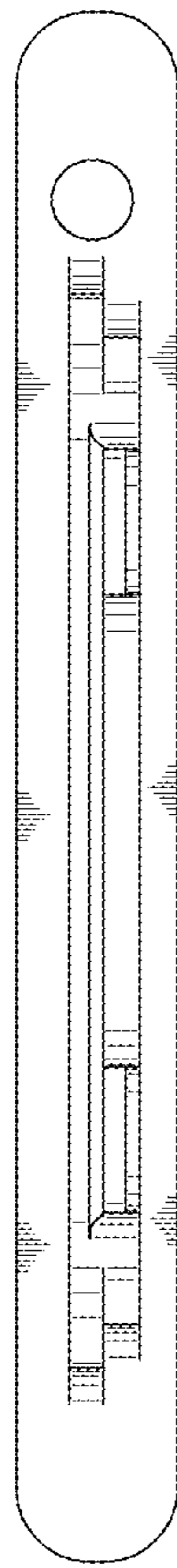


FIG.3



FIG.4

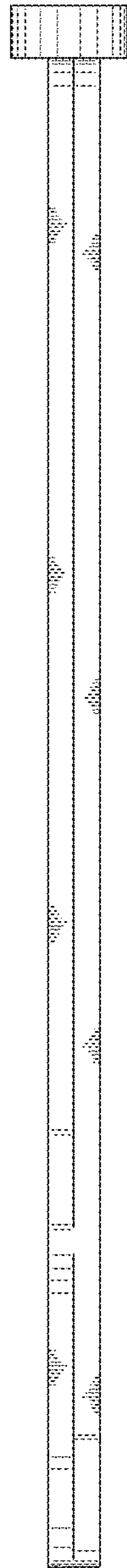


FIG.5

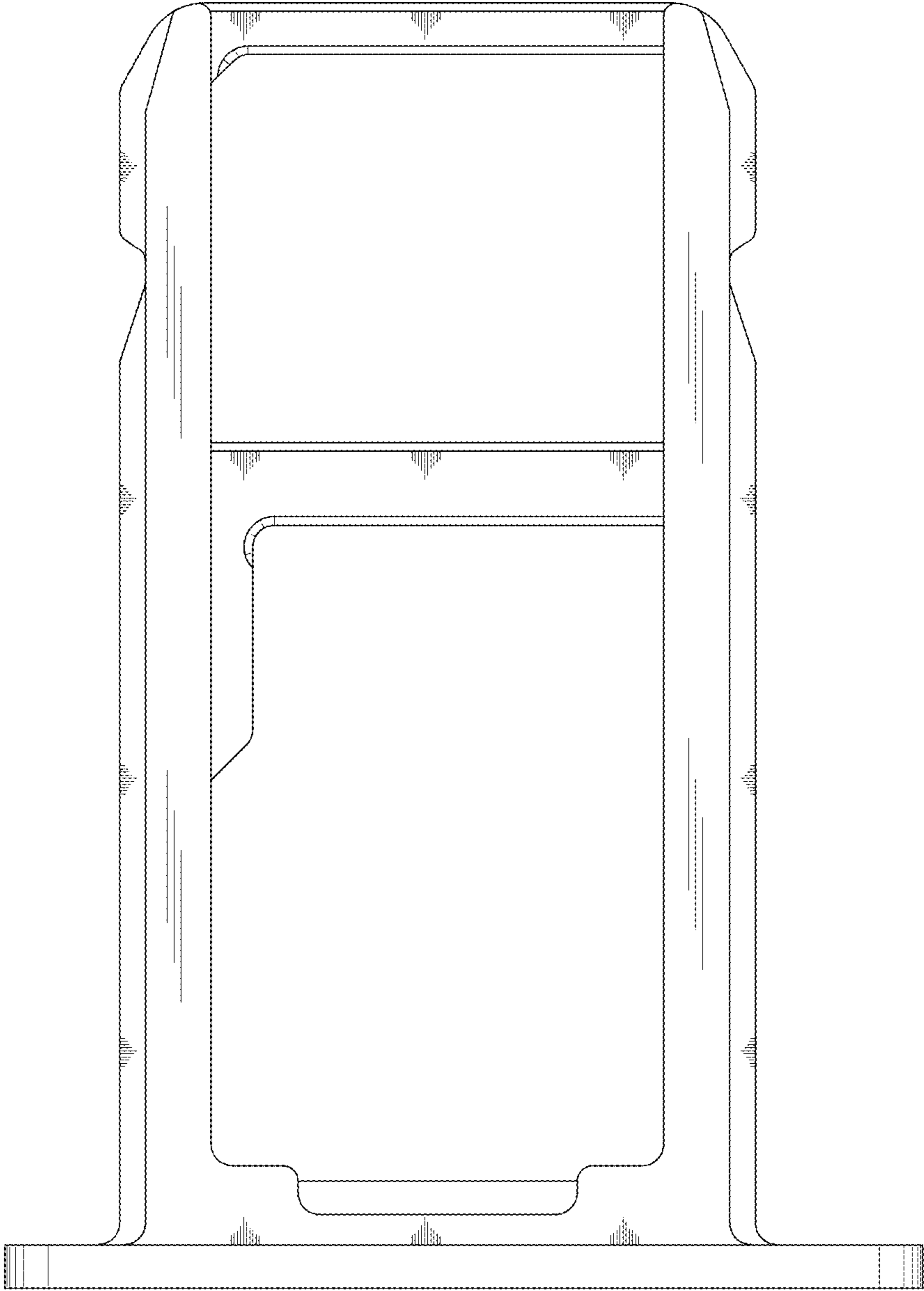


FIG.6



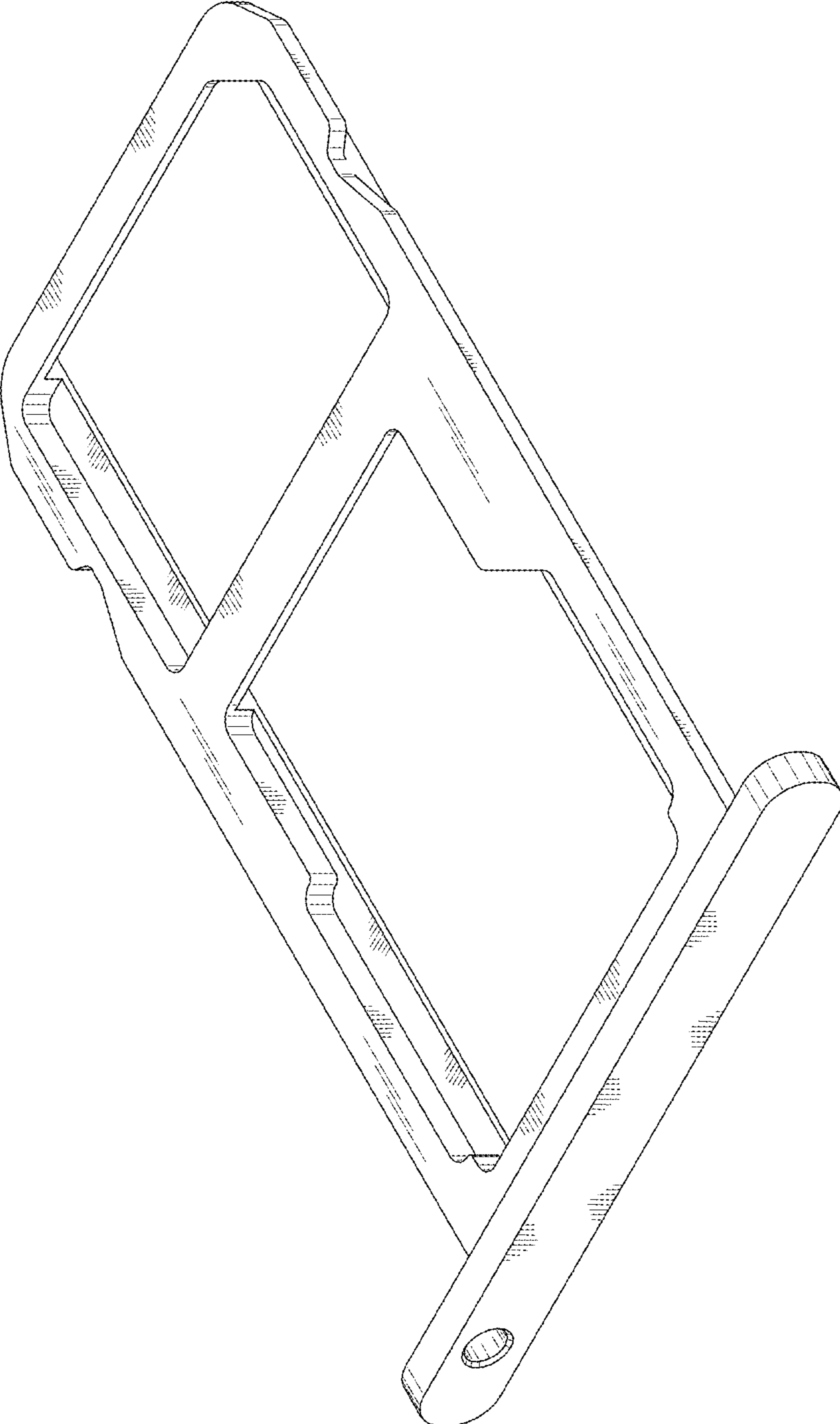


FIG.7

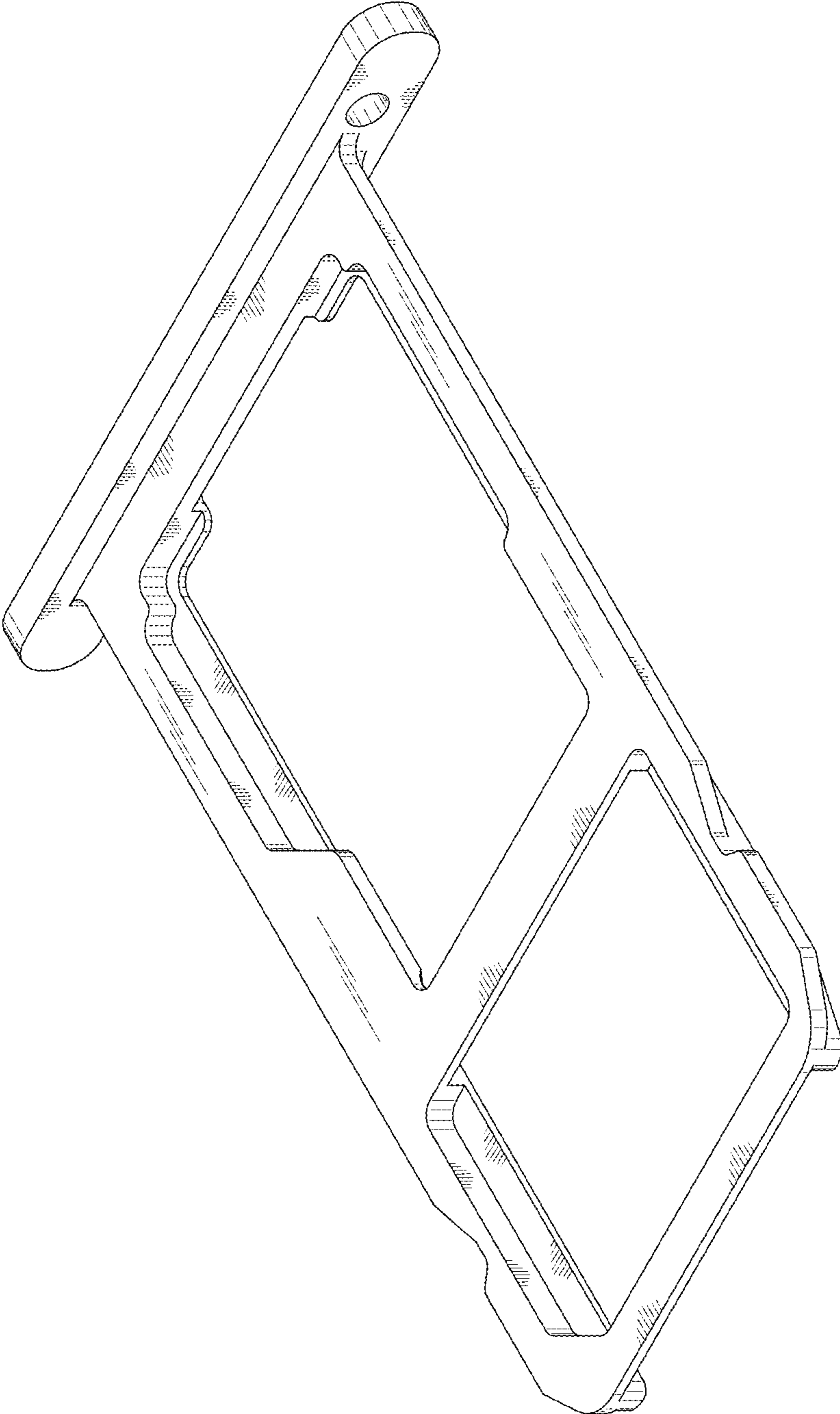


FIG.8

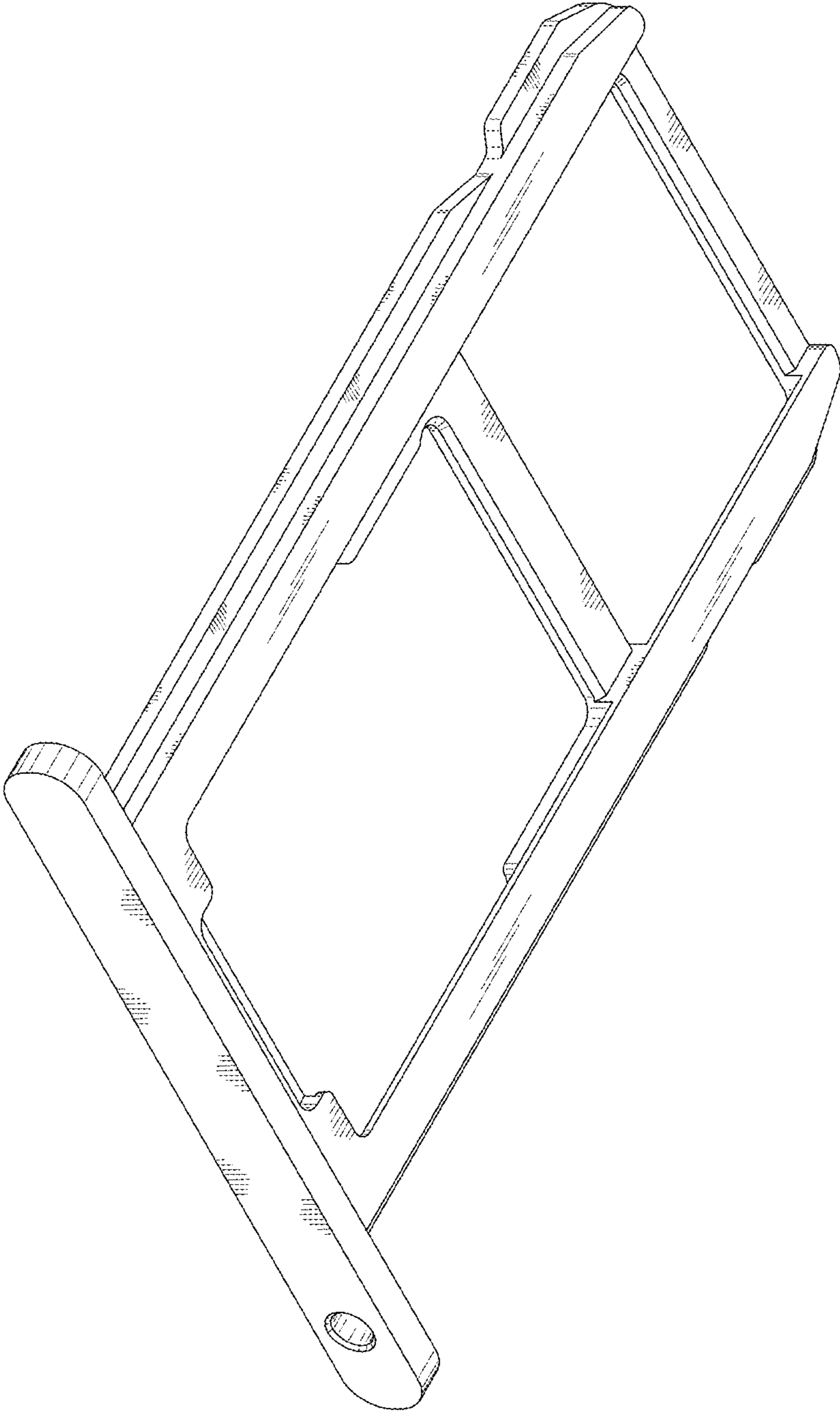


FIG.9

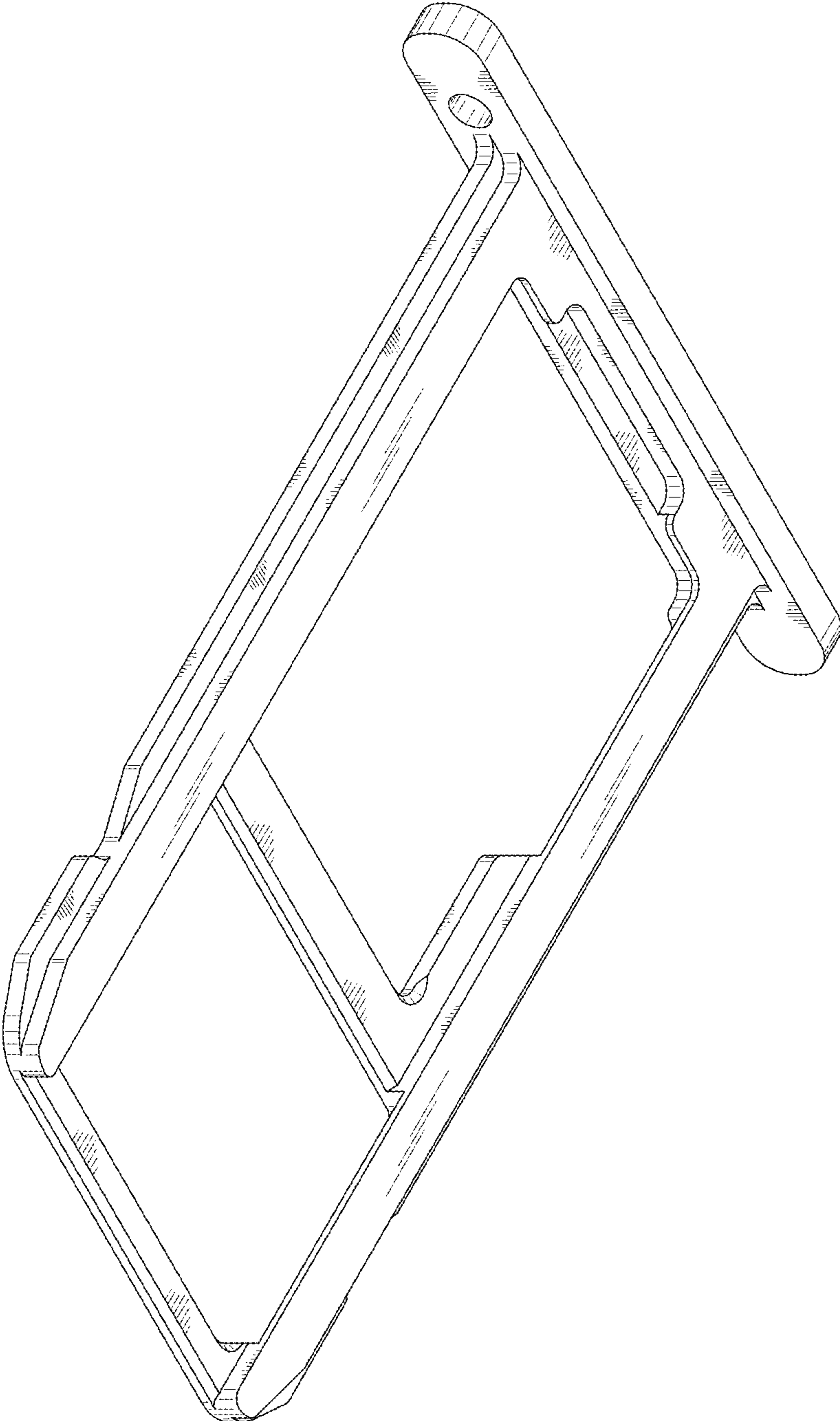


FIG.10

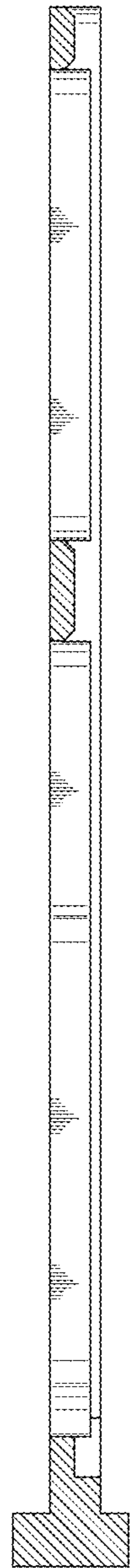


FIG.11

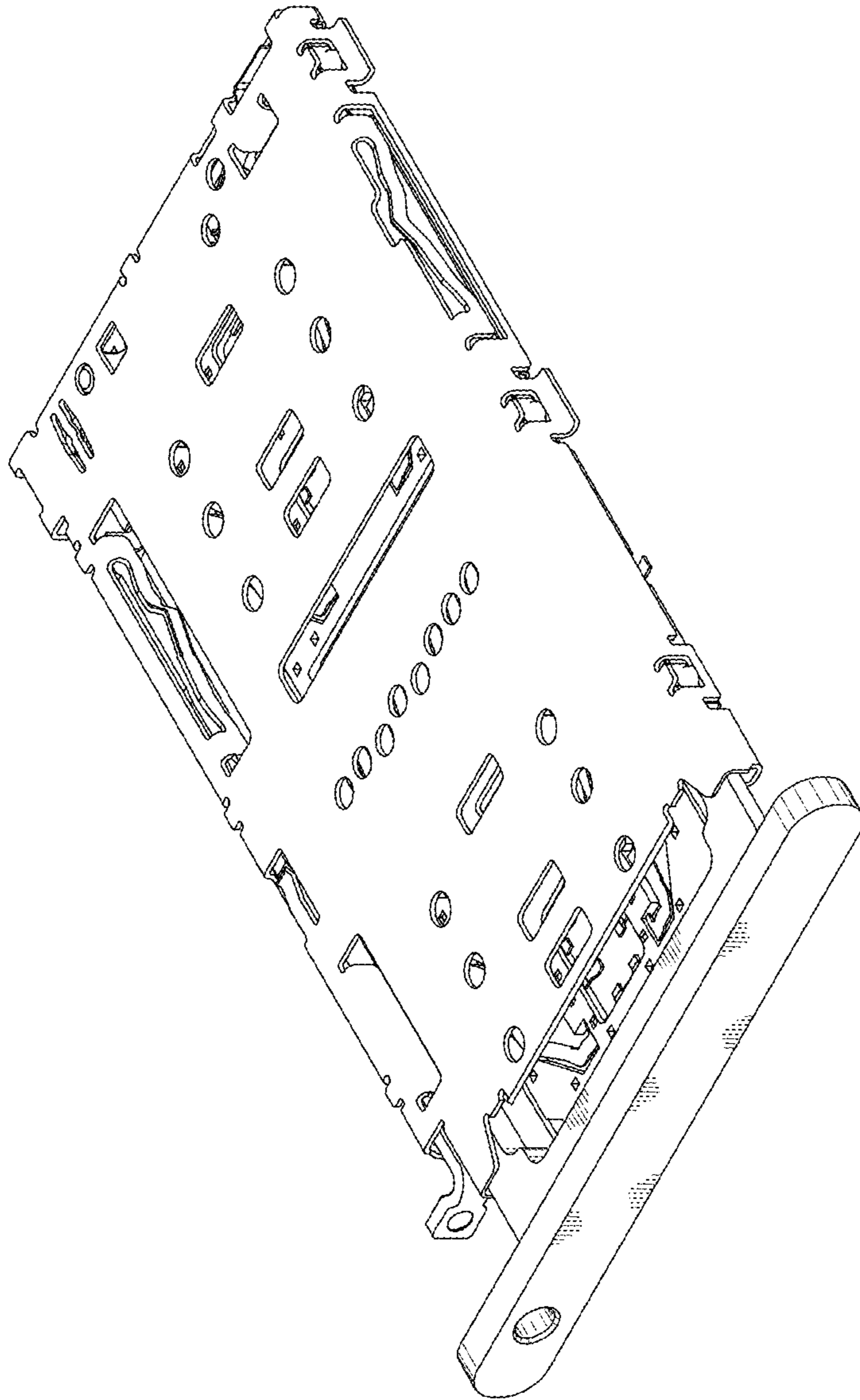


FIG.12