



US00D816617S

(12) **United States Design Patent** (10) **Patent No.:** **US D816,617 S**
Wong et al. (45) **Date of Patent:** **** May 1, 2018**

(54) **CONNECTION MECHANISM**

(71) Applicant: **Google Inc.**, Mountain View, CA (US)

(72) Inventors: **Jason Wong**, Millbrae, CA (US); **David Klawon**, Tucson, AZ (US)

(73) Assignee: **Google LLC**, Mountain View, CA (US)

(**) Term: **15 Years**

(21) Appl. No.: **29/565,064**

(22) Filed: **May 17, 2016**

(51) **LOC (11) Cl.** **13-03**

(52) **U.S. Cl.**
USPC **D13/147**

(58) **Field of Classification Search**

USPC D13/133, 146, 147, 154, 184, 199;
D14/433, 434, 435, 435.1, 436, 438
CPC H01R 13/58; H01R 13/5845; H01R 13/02;
H01R 13/03; H01R 13/405; H01R
13/648; H01R 13/506; H01R 13/516;
H01R 12/57; H01R 13/6585; H01R
24/60; H01R 2107/00; B29C 70/84;
B29C 70/88; B29C 70/885
See application file for complete search history.

(56) **References Cited**

U.S. PATENT DOCUMENTS

D322,426 S *	12/1991	Austin	D13/123
D703,618 S *	4/2014	Kodama	D13/154
D758,316 S *	6/2016	Graham	D13/147
D776,059 S *	1/2017	Kim	D13/147
D792,850 S *	7/2017	Timmins	D13/147
2016/0134051 A1 *	5/2016	Zhang	H01R 13/6205 439/39

OTHER PUBLICATIONS

U.S. Appl. No. 29/495,466, filed Jul. 1, 2014, Amit et al., Portion of a Handheld Device.

U.S. Appl. No. 29/495,448, filed Jul. 1, 2014, Amit et al., Portion of a Handheld Device.

U.S. Appl. No. 29/495,449, filed Jul. 1, 2014, Amit et al., Portion of a Handheld Device.

U.S. Appl. No. 29/495,461, filed Jul. 1, 2014, Amit et al., Portion of a Handheld Device.

U.S. Appl. No. 29/567,672, filed Jun. 10, 2014, Amit et al., Portion of a Handheld Device.

U.S. Appl. No. 29/495,459, filed Jul. 1, 2014, Amit et al., Portion of a Handheld Device.

U.S. Appl. No. 29/495,458, filed Jul. 1, 2014, Amit et al., Portion of a Handheld Device.

(Continued)

Primary Examiner — Daniel Bui

(74) *Attorney, Agent, or Firm* — Dority & Manning, P.A.

(57) **CLAIM**

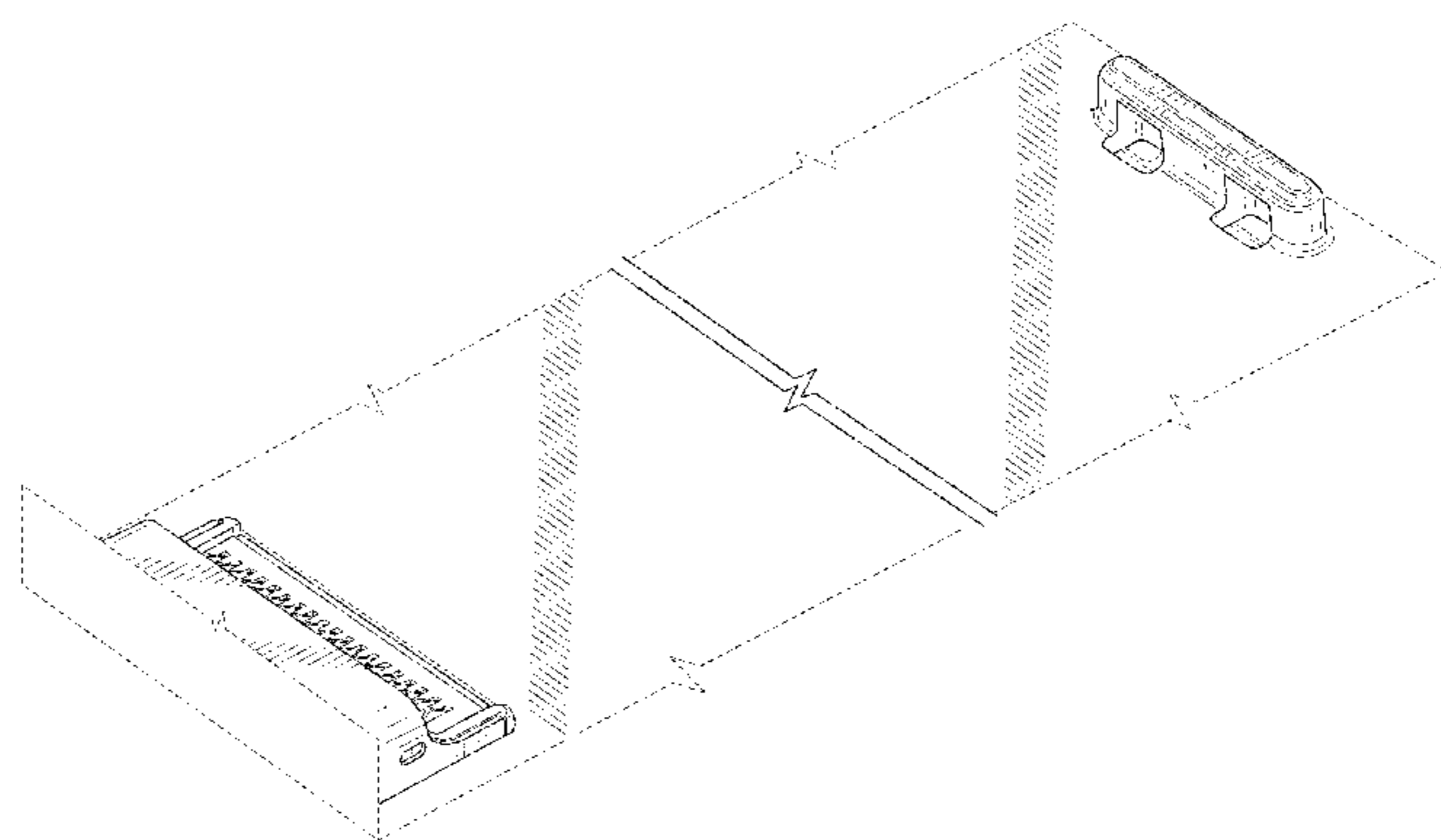
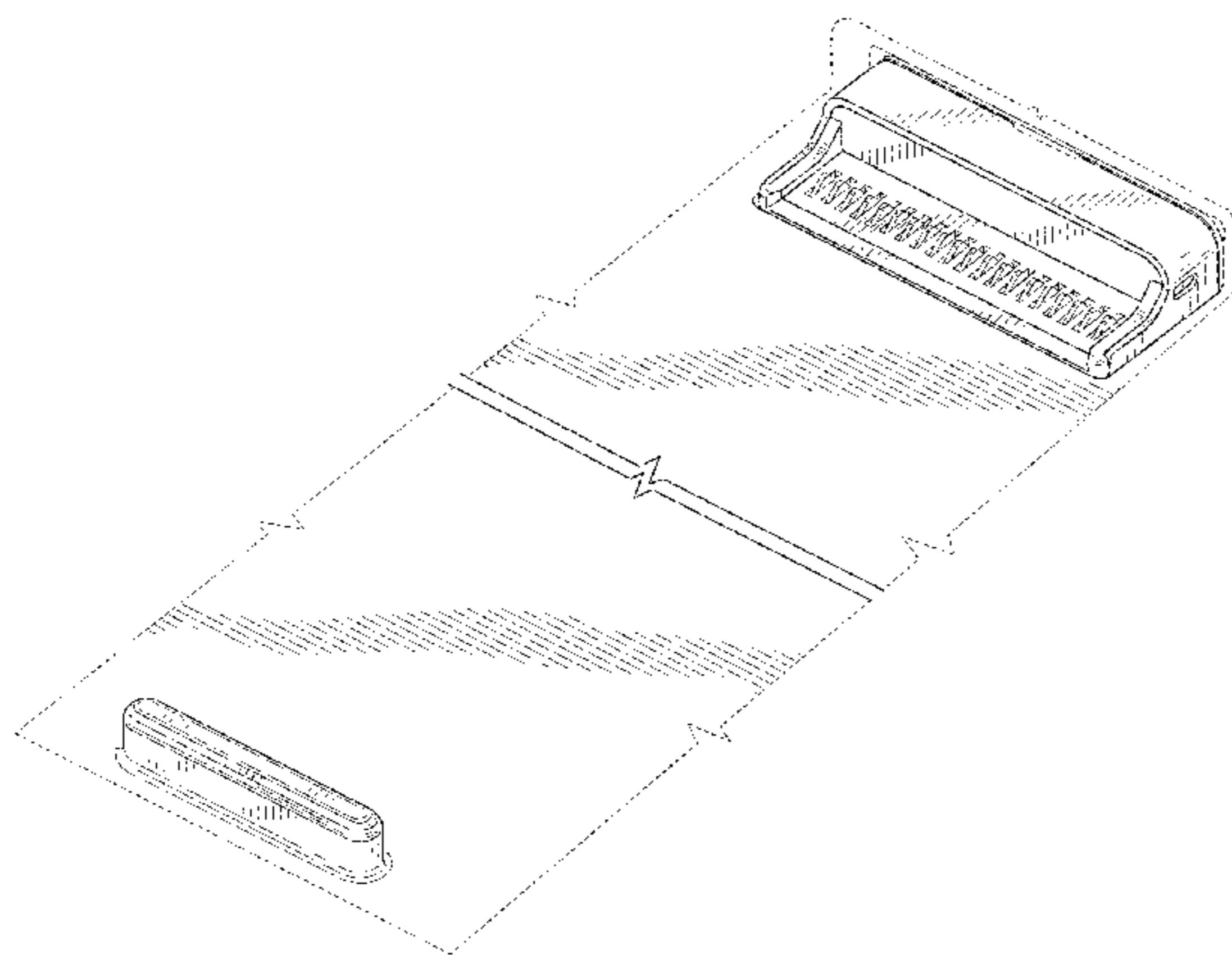
The ornamental design for a connection mechanism, as shown and described.

DESCRIPTION

FIG. 1 is a perspective view of a connection mechanism showing our new the design;
FIG. 2 is another perspective view thereof;
FIG. 3 is a top plan view thereof;
FIG. 4 is bottom plan view thereof;
FIG. 5 is a side view thereof;
FIG. 6 is another side view thereof;
FIG. 7 is a front elevation view thereof;
FIG. 8 is a rear elevation view thereof;
FIG. 9 is a front elevation view thereof, as seen along line "9-9" of FIG. 3; and,
FIG. 10 is a front elevation view thereof, as seen along line "10-10" of FIG. 3.

The broken line in the drawing view represents unclaimed environment only and forms no part of the claimed design.

1 Claim, 6 Drawing Sheets



(56)

References Cited

OTHER PUBLICATIONS

U.S. Appl. No. 29/495,473, filed Jul. 1, 2014, Amit et al., Portion of a Handheld Device.

U.S. Appl. No. 29/495,475, filed Jul. 1, 2014, Amit et al., Mobile Device Module.

U.S. Appl. No. 29/495,477, filed Jul. 1, 2014, Amit et al., Mobile Device Module.

U.S. Appl. No. 29/495,480, filed Jul. 1, 2014, Amit et al., Portion of a Handheld Device.

U.S. Appl. No. 29/495,481, filed Jul. 1, 2014, Amit et al., Electronic Module.

U.S. Appl. No. 29/495,483, filed Jul. 1, 2014, Amit et al., Handheld Device.

* cited by examiner

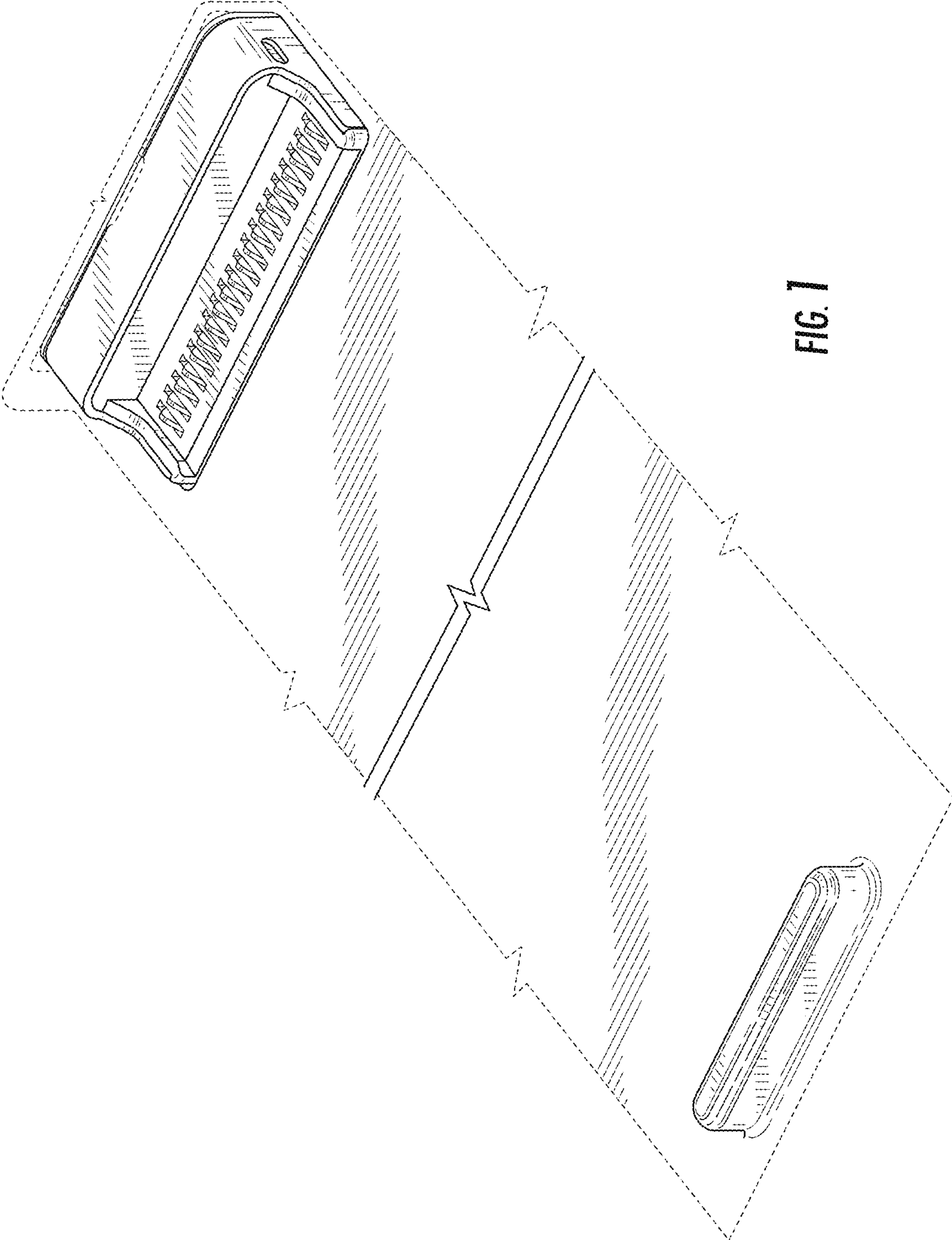
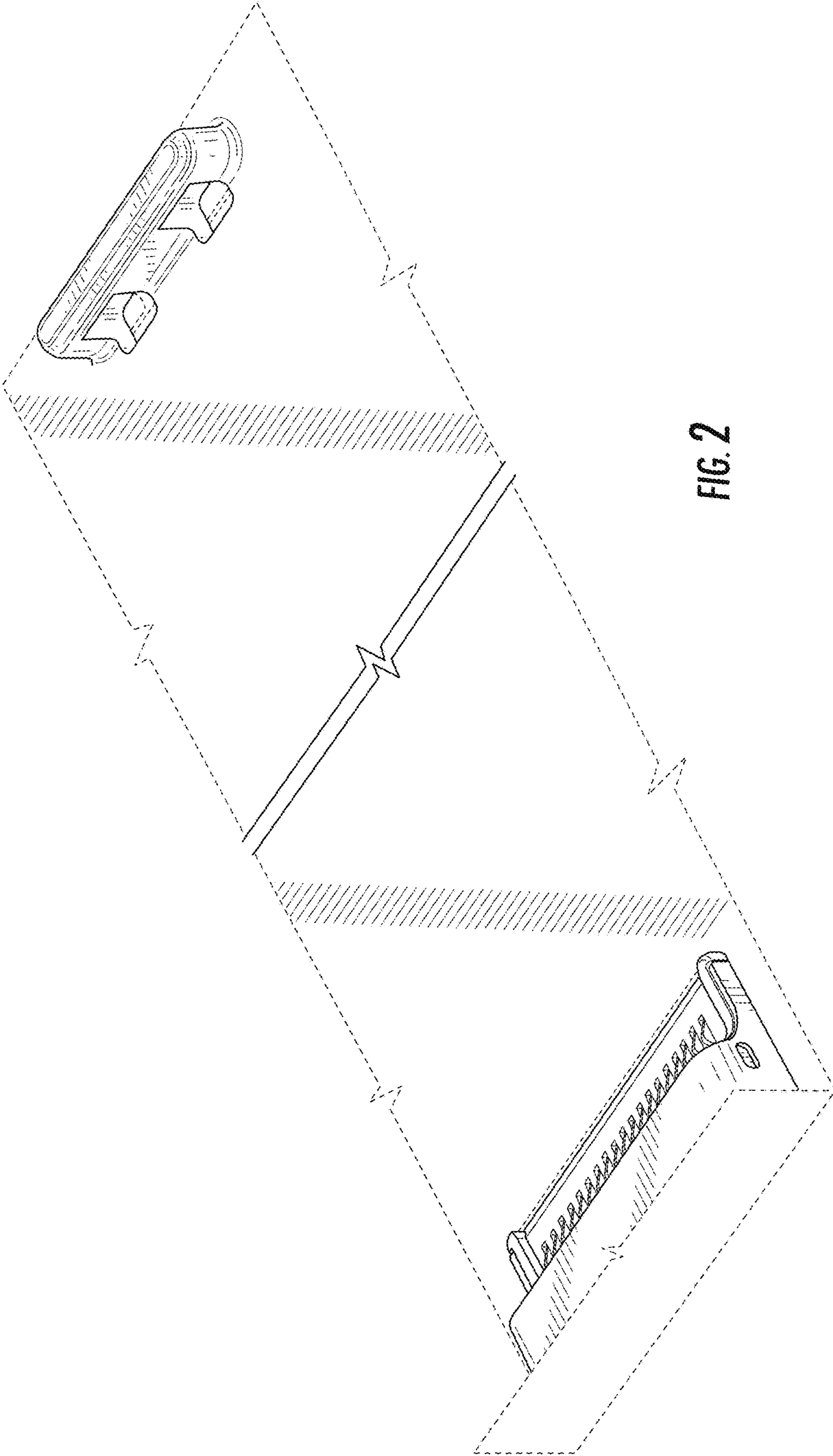


FIG. 1



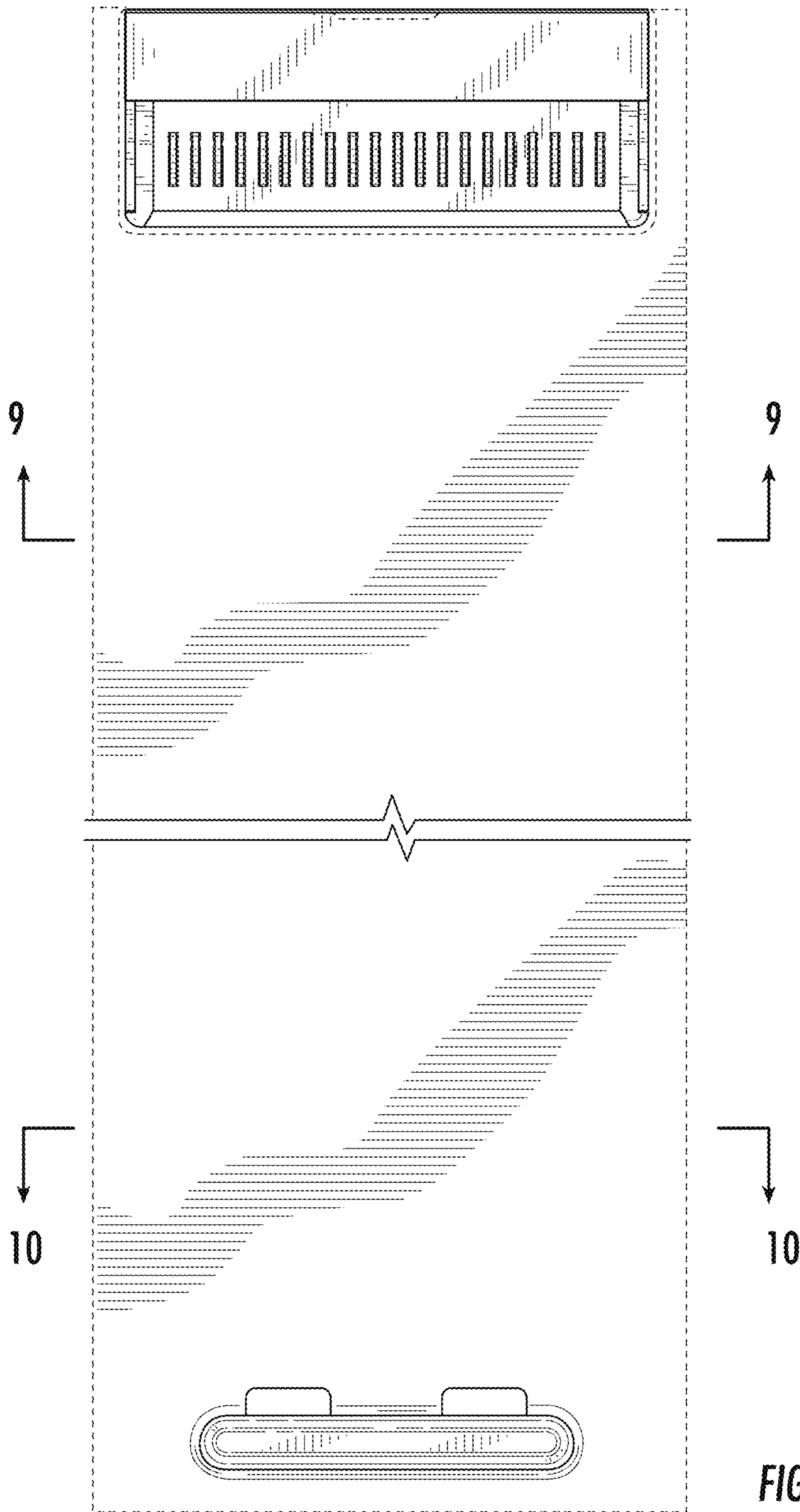


FIG. 3

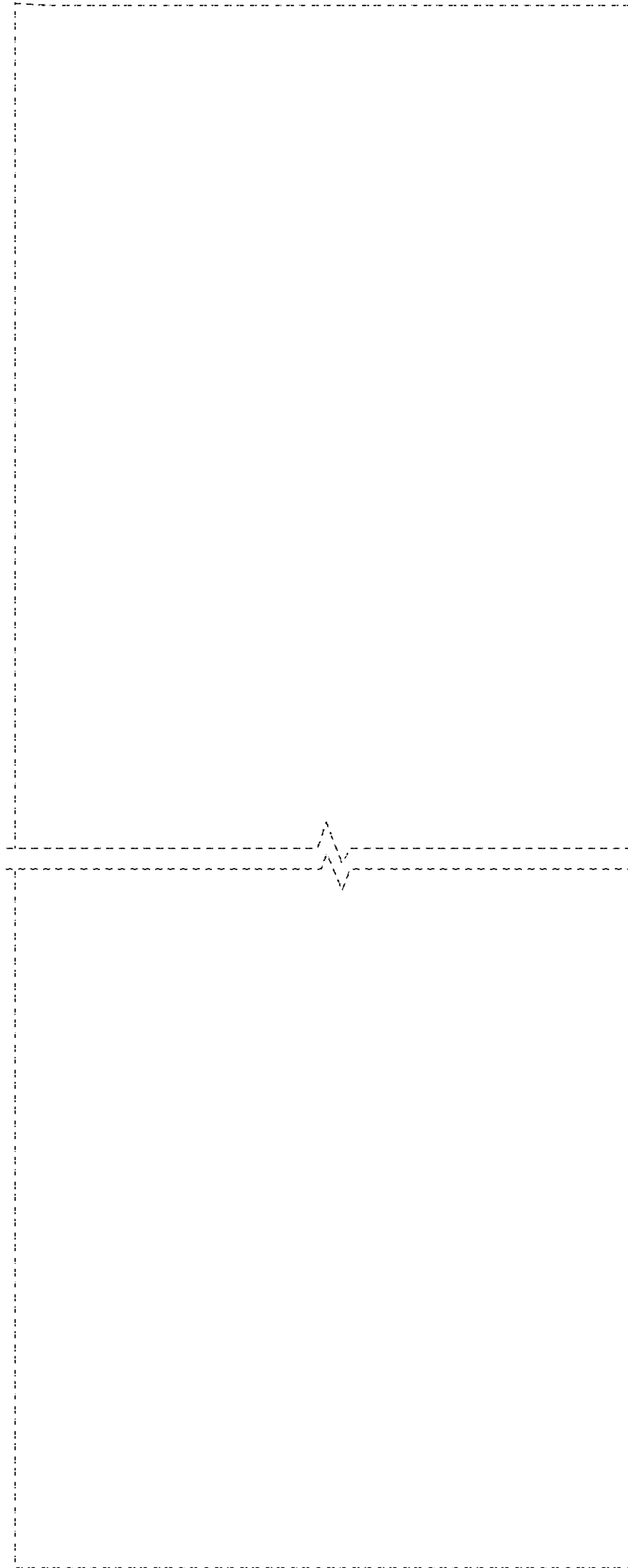


FIG. 4



FIG. 5



FIG. 6

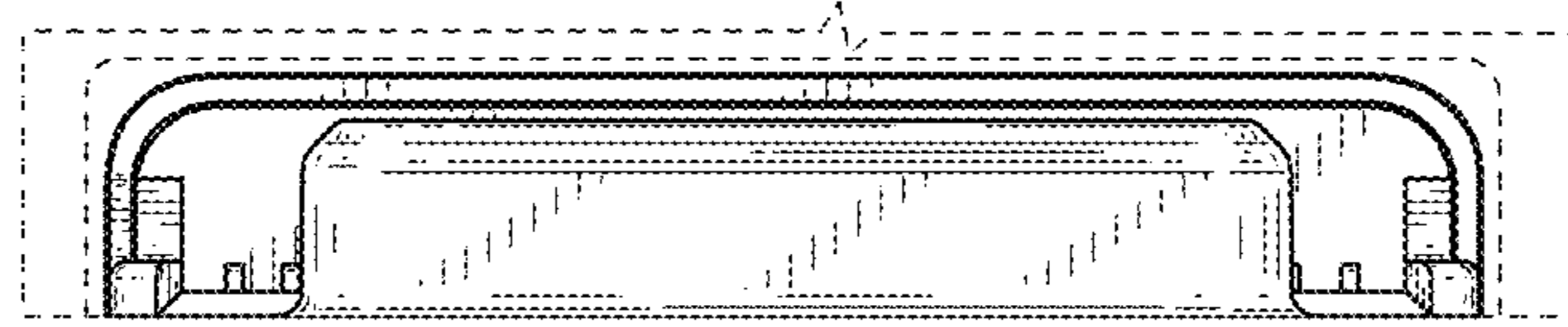


FIG. 7

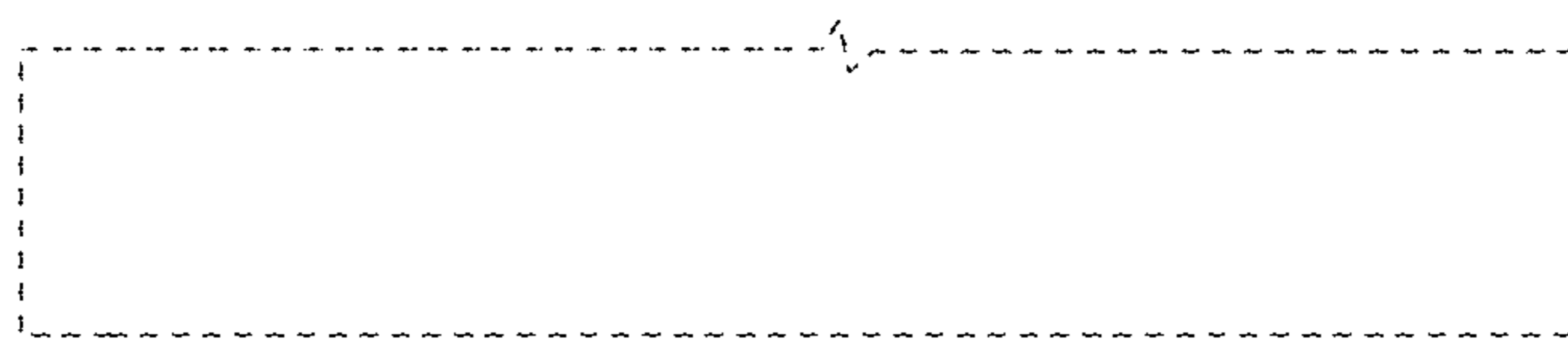


FIG. 8

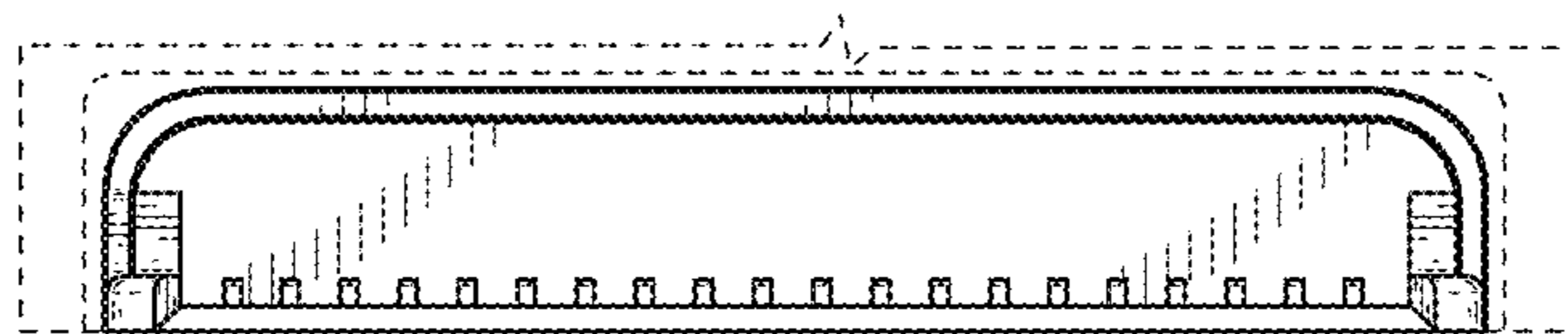


FIG. 9

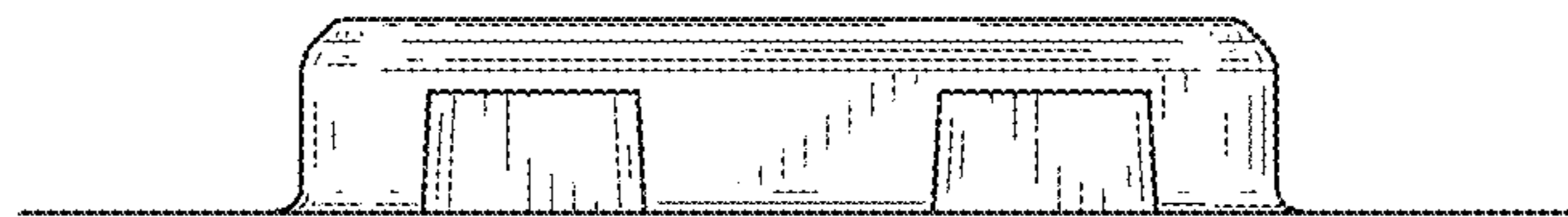


FIG. 10