



US00D816614S

(12) **United States Design Patent**
An

(10) **Patent No.:** **US D816,614 S**

(45) **Date of Patent:** **** May 1, 2018**

(54) **SMART PLUG SOCKET**

(71) Applicant: **Shenzhen Lingan Intelligent Technology Co., Ltd**, Shenzhen, Guangdong Province (CN)

(72) Inventor: **Pei An**, Shenzhen (CN)

(**) Term: **15 Years**

(21) Appl. No.: **29/607,670**

(22) Filed: **Jun. 15, 2017**

(51) **LOC (11) Cl.** **13-03**

(52) **U.S. Cl.**
USPC **D13/137.1**

(58) **Field of Classification Search**
USPC D13/108, 110, 123, 133, 137.1-137.4, D13/138.1-138.2, 139.1-139.8, 152-154, D13/146, 147, 156, 158; D14/433; D8/350-353
CPC H01R 11/00; H01R 9/00; H01R 25/00; H01R 25/006; H01R 13/11; H01R 24/76
See application file for complete search history.

(56) **References Cited**

U.S. PATENT DOCUMENTS

D520,451 S * 5/2006 Stekelenburg D13/137.3
D561,694 S * 2/2008 Lam D13/110
D669,029 S * 10/2012 Huang D13/110
D701,169 S * 3/2014 Brown D13/137.1
D713,788 S * 9/2014 Hasegawa D13/110

D722,020 S * 2/2015 Benedict D13/110
D757,295 S * 5/2016 Benarieh D13/110
D762,572 S * 8/2016 Nazar D13/108
D771,568 S * 11/2016 Romandy D13/133
D779,919 S * 2/2017 Shargh D8/330
D795,041 S * 8/2017 Oliva Camacho D8/331
D807,295 S * 1/2018 Xu D13/137.2

* cited by examiner

Primary Examiner — Rosemary K Tarca

Assistant Examiner — Christy M Nemeth

(74) *Attorney, Agent, or Firm* — Novoclaims Patent Services LLC; Mei Lin Wong

(57) **CLAIM**

The ornamental design for a smart plug socket, as shown and described.

DESCRIPTION

FIG. 1 is a perspective view of a smart plug socket, showing my new design.

FIG. 2 is a second perspective view thereof.

FIG. 3 is a front elevational view thereof.

FIG. 4 is a rear elevational view thereof.

FIG. 5 is a left side elevational view thereof.

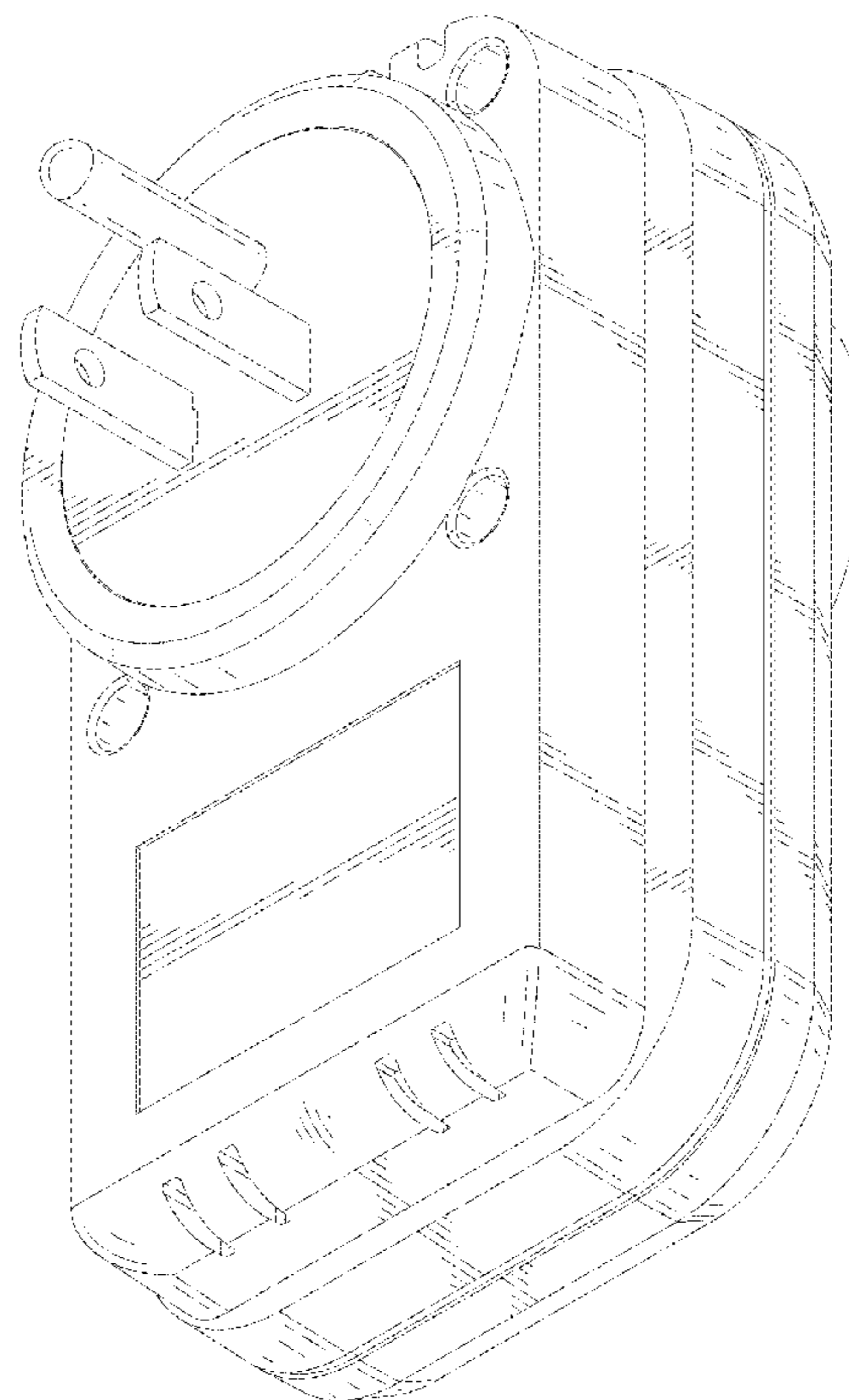
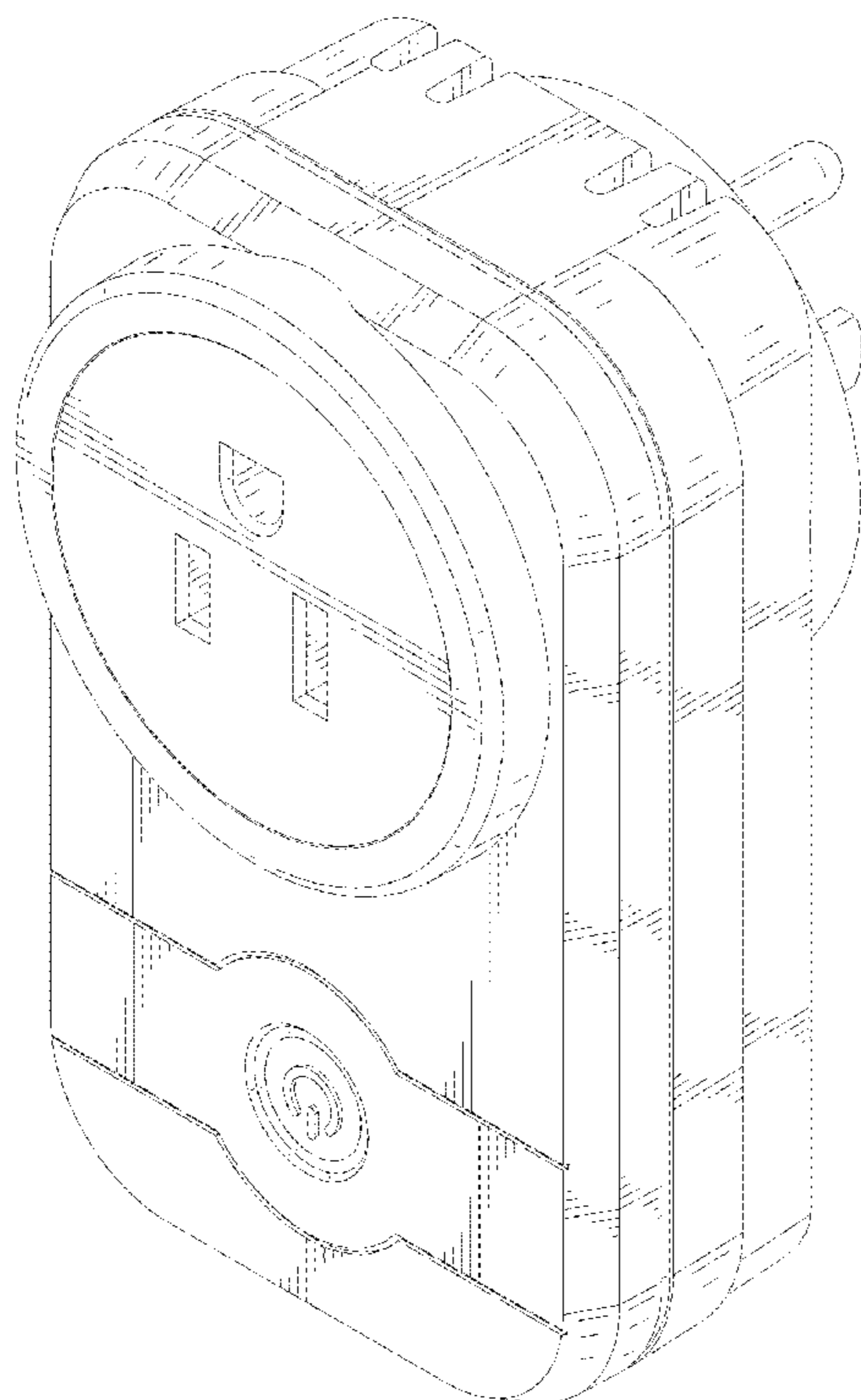
FIG. 6 is a right side elevational view thereof.

FIG. 7 is a top plan view thereof; and,

FIG. 8 is a bottom plan view thereof.

The broken lines in the drawings are for the purpose of illustrating portions of the smart plug socket that form no part of the claimed design.

1 Claim, 8 Drawing Sheets



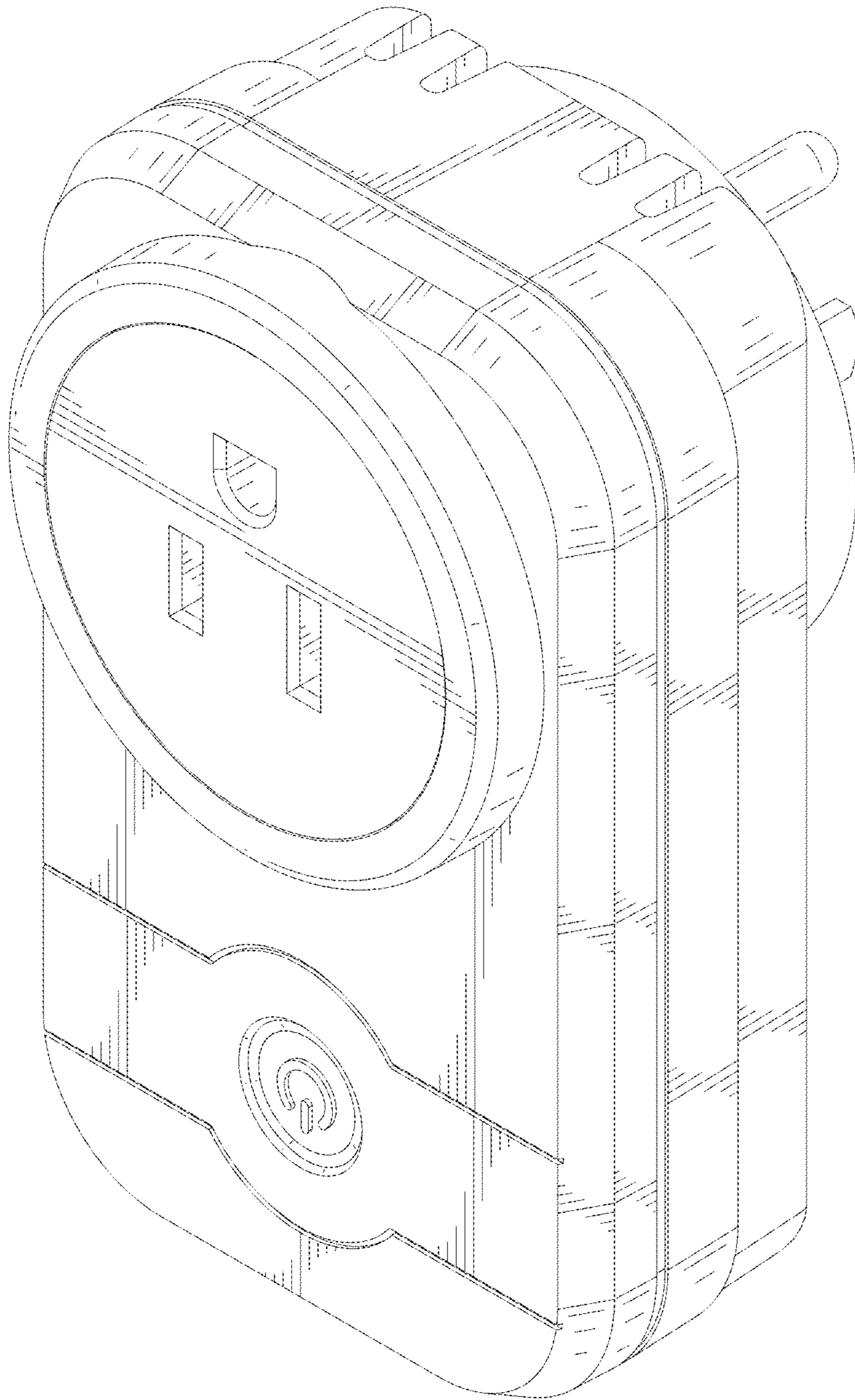


FIG.1

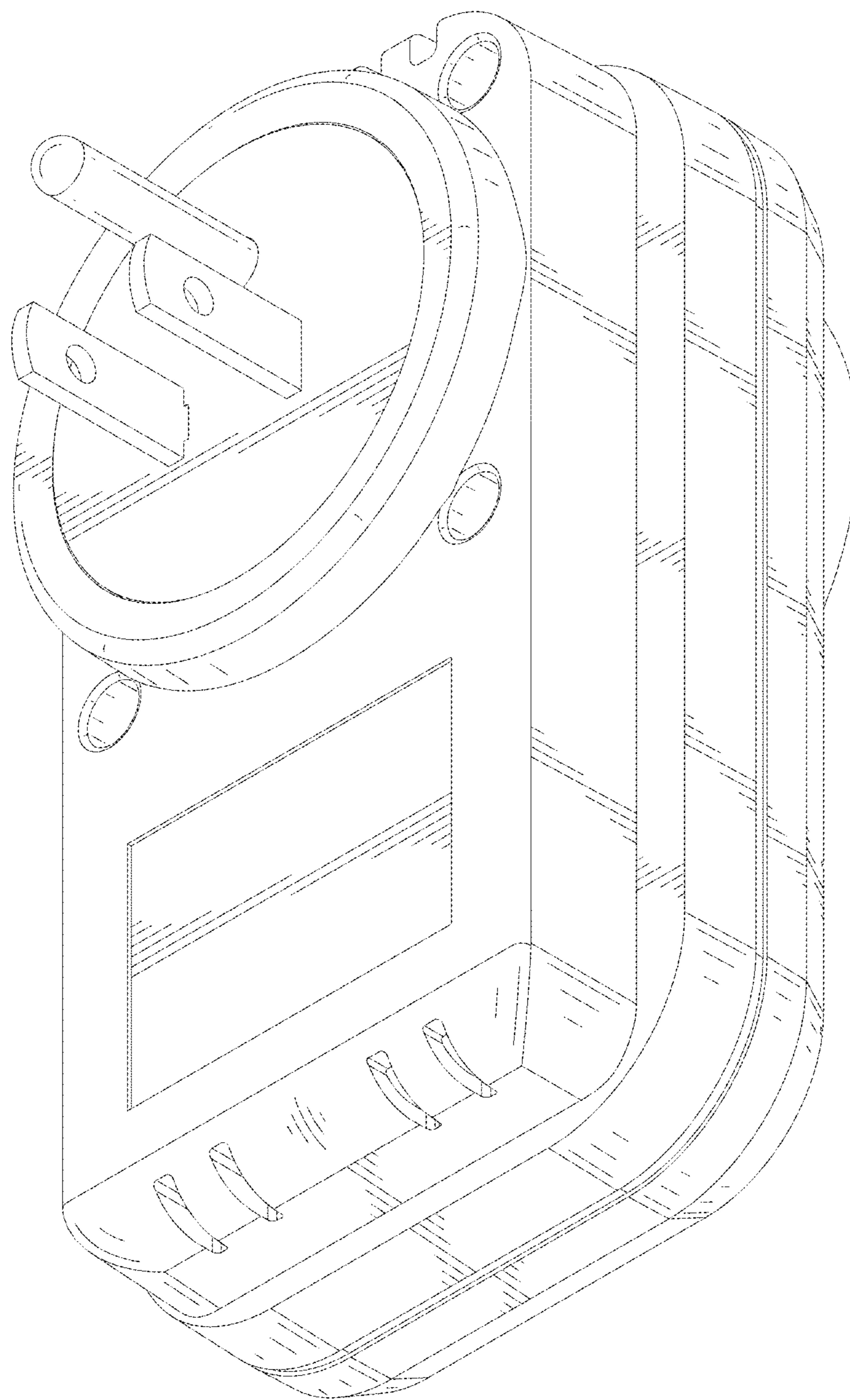


FIG.2

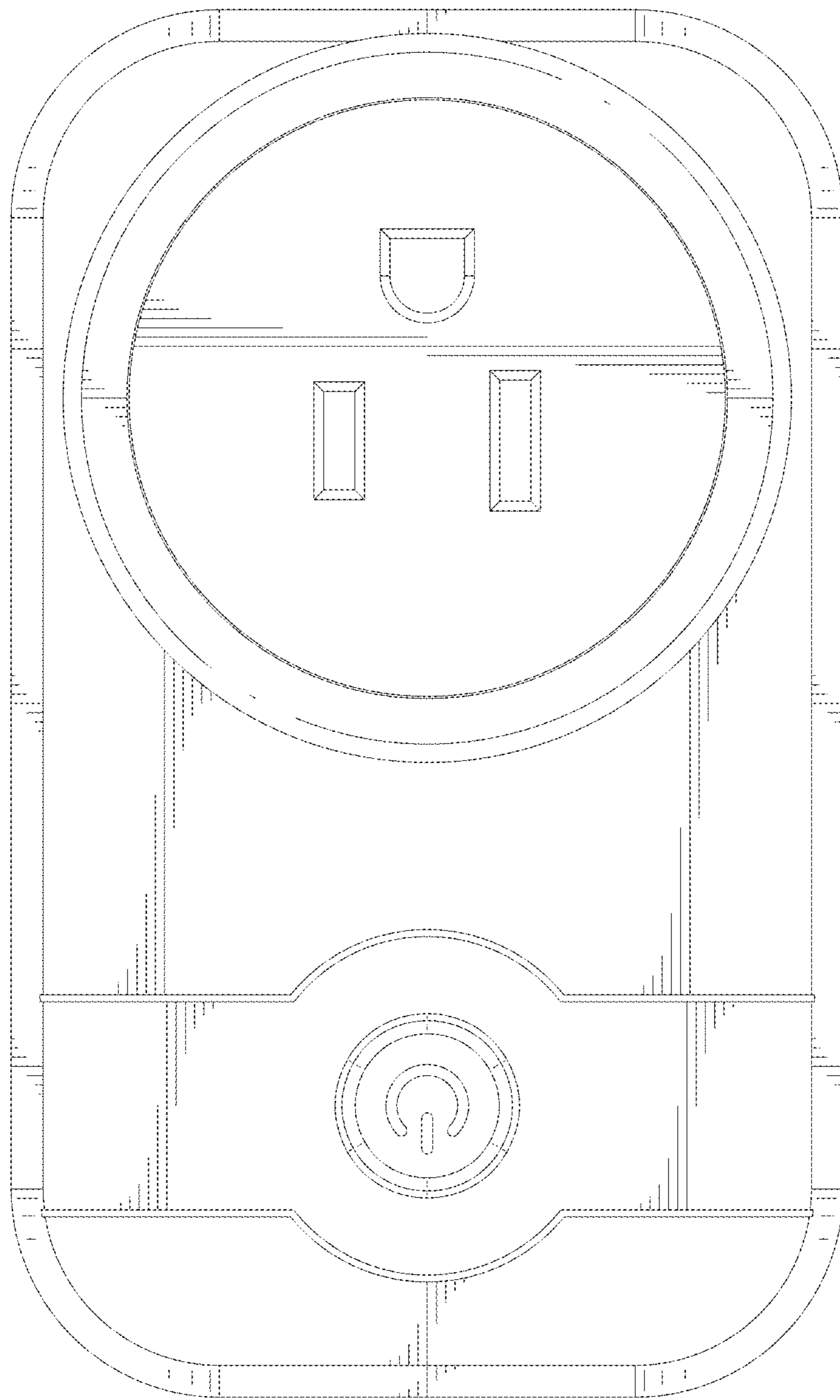


FIG.3

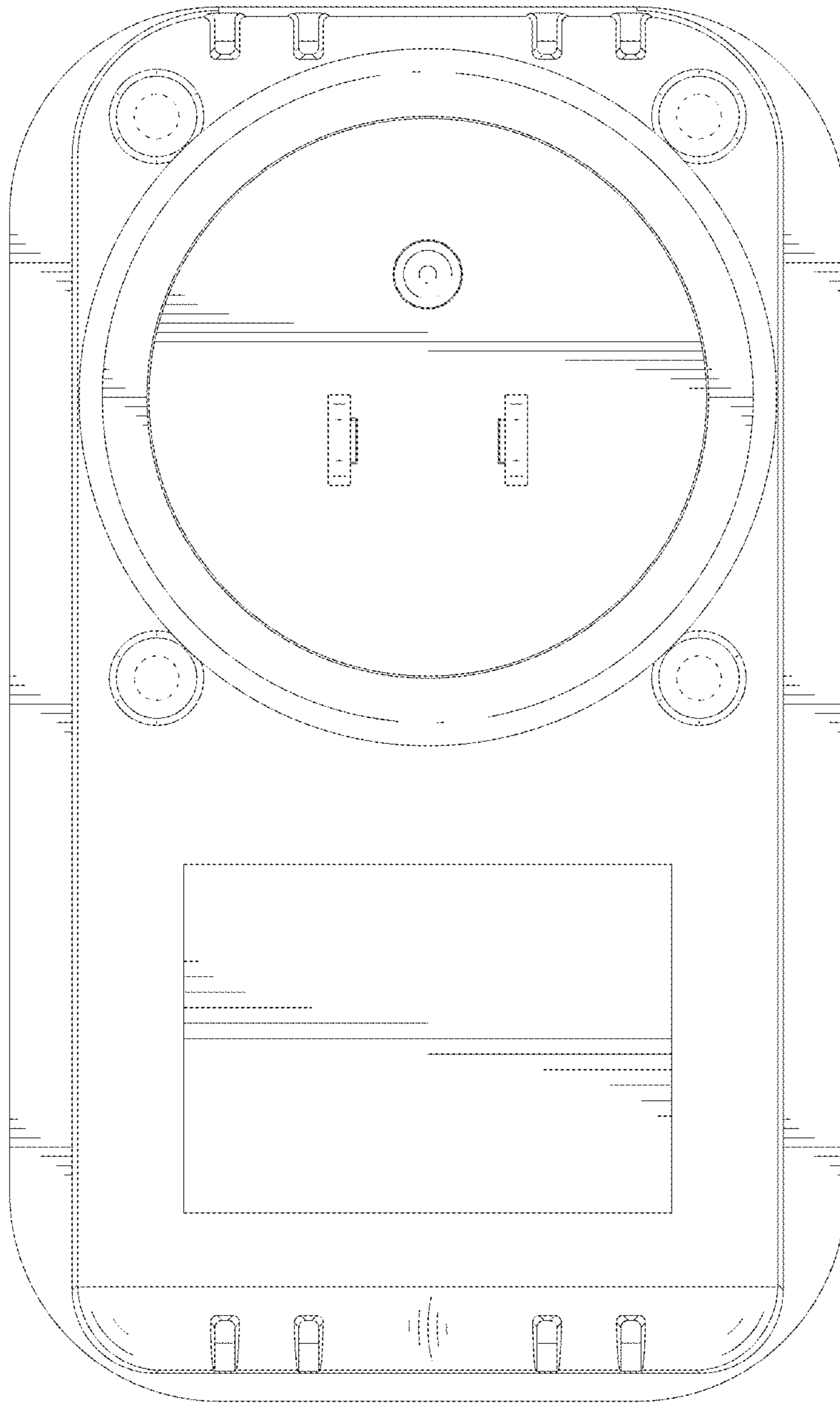


FIG.4

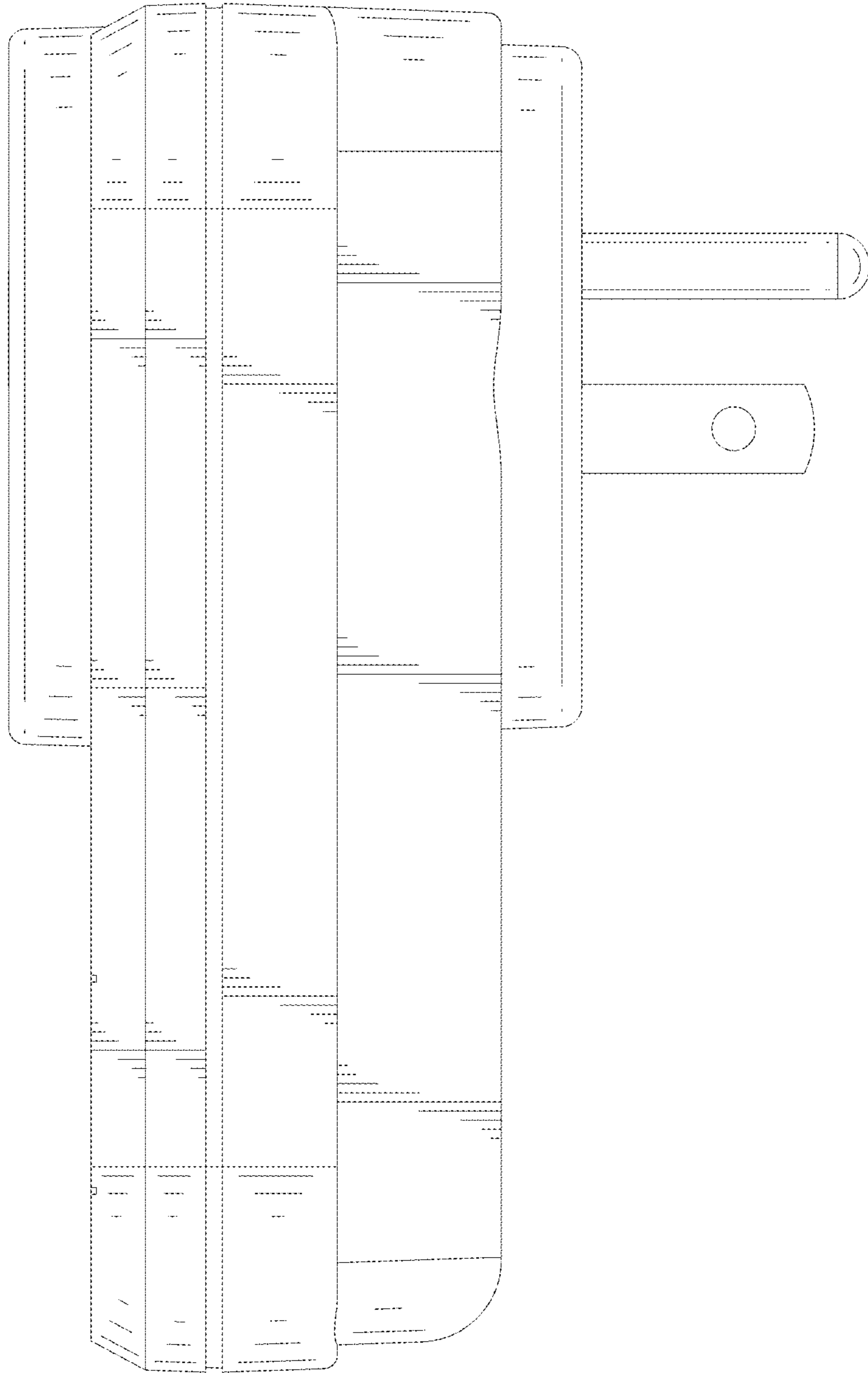


FIG.5

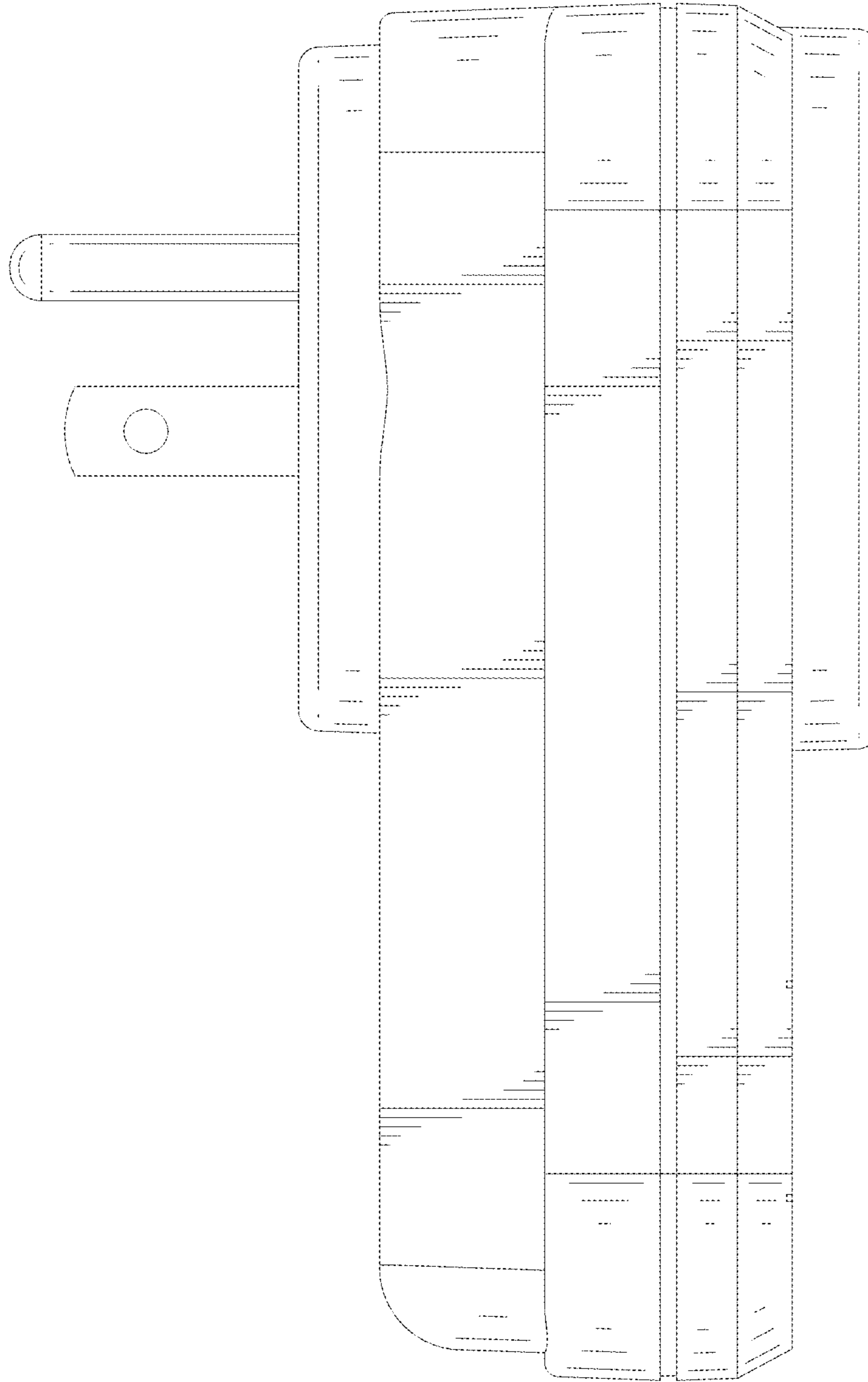


FIG.6

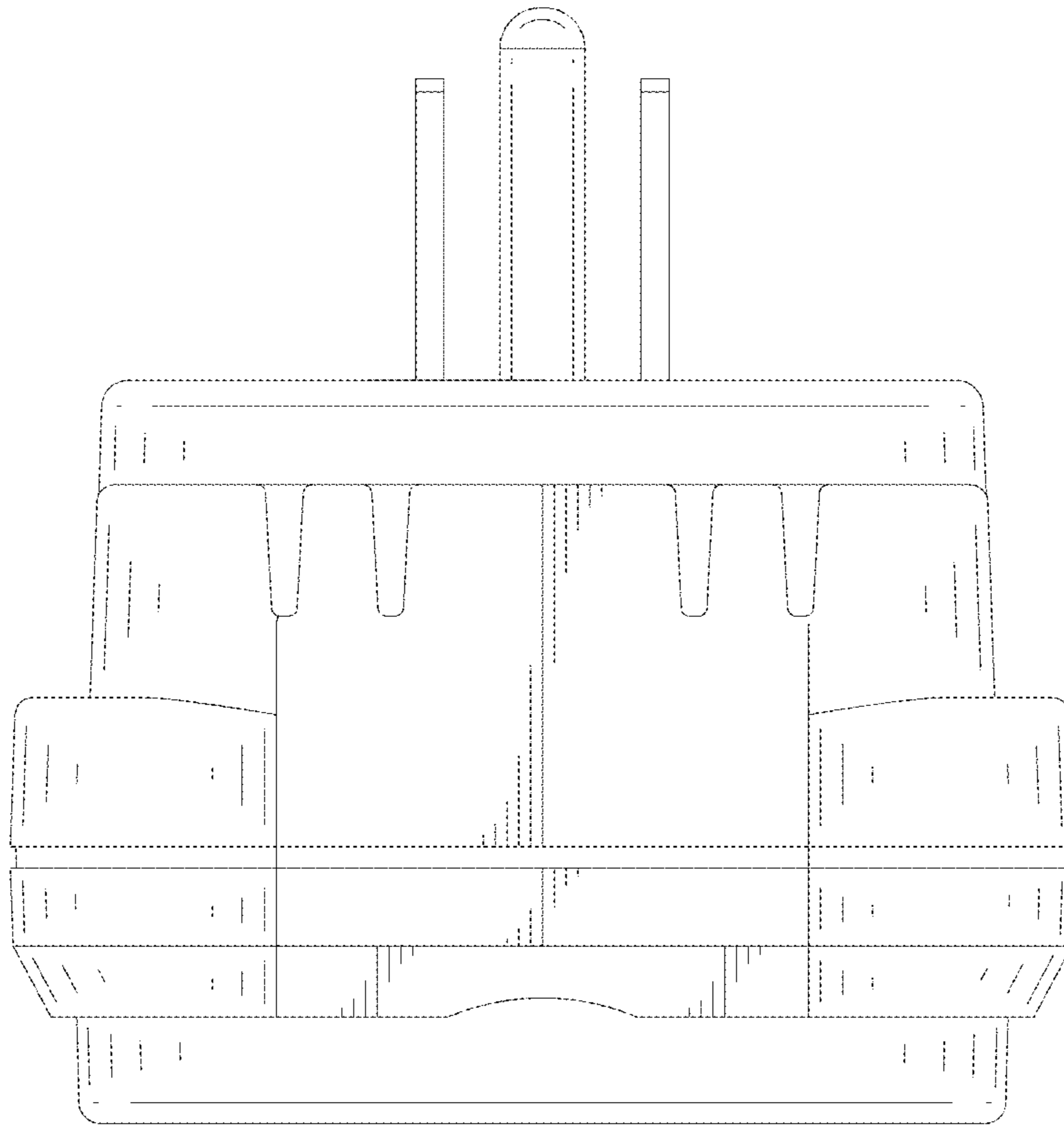


FIG.7

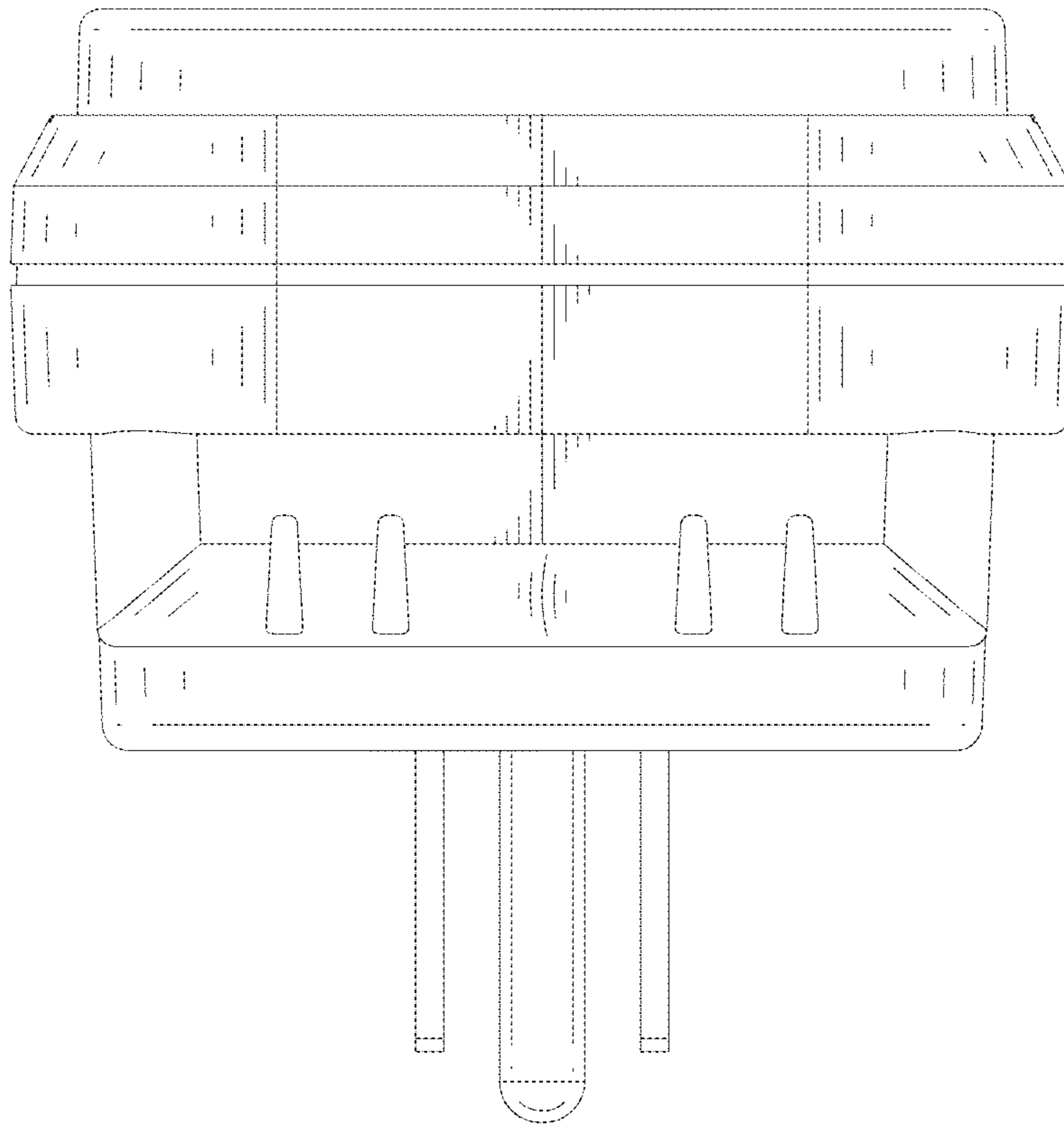


FIG.8