



US00D816612S

(12) **United States Design Patent** (10) **Patent No.:** **US D816,612 S**
Sugitani (45) **Date of Patent:** **** May 1, 2018**

(54) **POLYMER INSULATOR**
(71) Applicant: **FUJIKURA LTD.**, Tokyo (JP)
(72) Inventor: **Yuto Sugitani**, Sakura (JP)
(73) Assignee: **FUJIKURA LTD.**, Koto-ku, Tokyo (JP)
(**) Term: **15 Years**

(21) Appl. No.: **29/555,108**
(22) Filed: **Feb. 18, 2016**
(51) **LOC (11) Cl.** **13-03**
(52) **U.S. Cl.**
USPC **D13/130**
(58) **Field of Classification Search**
USPC D13/123-132; D8/356, 364
CPC H01L 2023/40; H01L 23/42; F16B 31/02;
F16B 31/00; H01R 4/38; H01R 4/66;
H01R 4/00; H01R 23/00; G01R 1/067;
H01B 17/14; H01B 17/16; H01B 17/145;
H01B

(Continued)

(56) **References Cited**
U.S. PATENT DOCUMENTS
D114,352 S * 4/1939 Taylor 174/188
3,484,543 A * 12/1969 Edwards H01B 17/02
174/182

(Continued)

FOREIGN PATENT DOCUMENTS
CN 303791983 * 8/2016
JP D1543450 * 2/2016
(Continued)

OTHER PUBLICATIONS

INMR. <URL: [*Primary Examiner* — Bridget L Eland
Assistant Examiner — Lauren McVey
\(74\) *Attorney, Agent, or Firm* — Sughrue Mion, PLLC](http://www.inmr.com/failures-400-lines-high-lighted-importance-corona-rings-composite-insulators/2/#!prettyPhoto.> Mar. 25, 2017. Polymeric insulators.*</p></div>
<div data-bbox=)

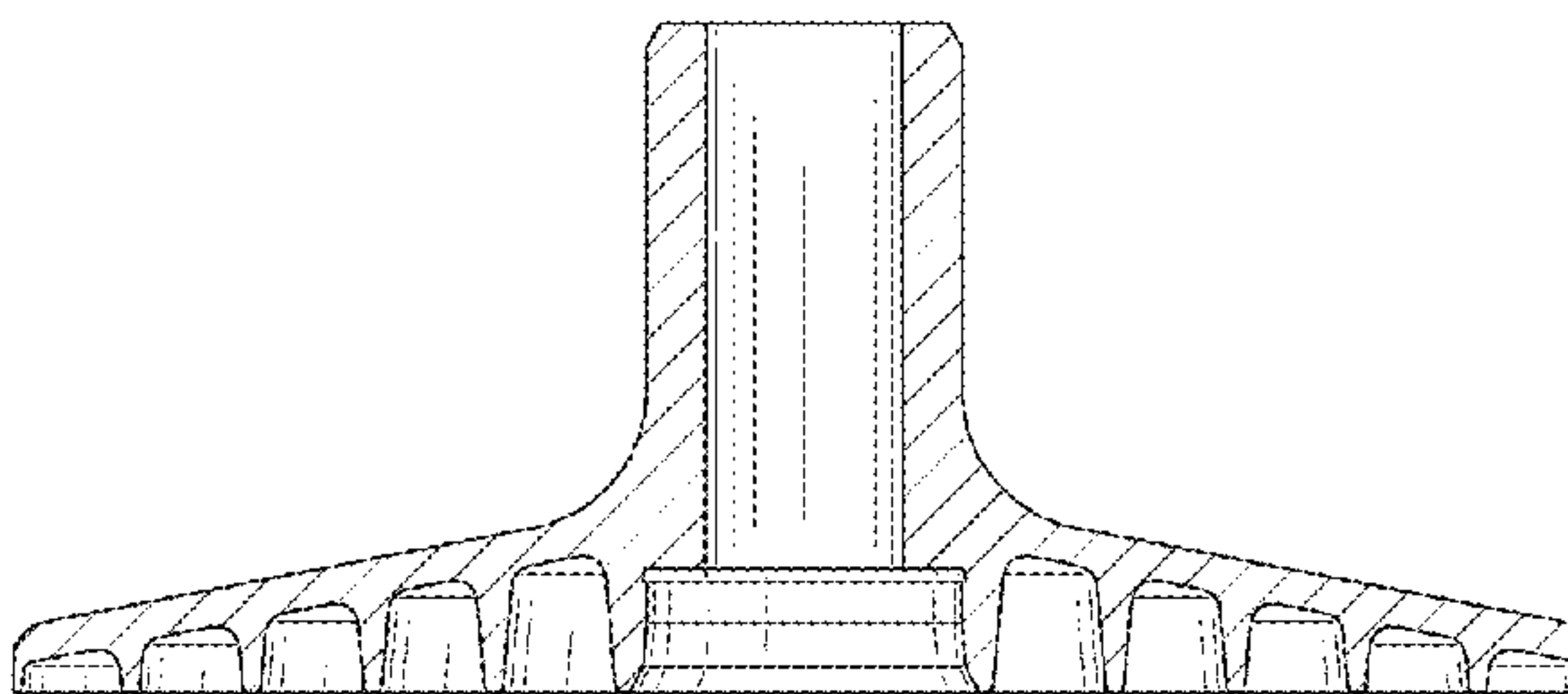
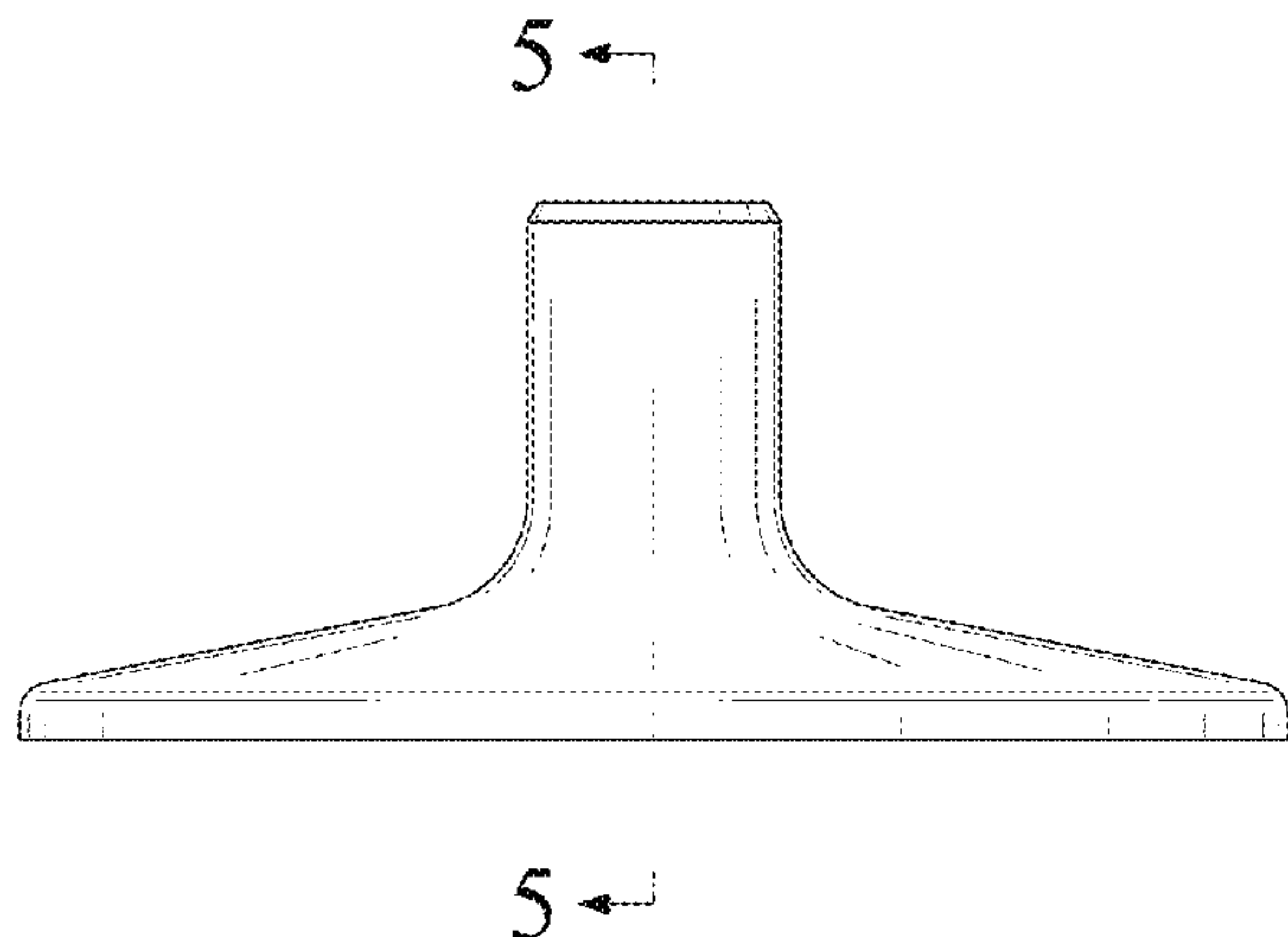
(57) **CLAIM**

The ornamental design for a polymer insulator, as shown and described.

DESCRIPTION

FIG. 1 is a perspective view of a first embodiment of a polymer insulator, showing my new design;
FIG. 2 is a front elevation view thereof; the rear elevation view, right side elevation view, and left side elevation view being a mirror image thereof.
FIG. 3 is a top plan view thereof;
FIG. 4 is a bottom plan view thereof; and
FIG. 5 is a cross-sectional view taken in the direction of line 5-5 in FIG. 2.
FIG. 6 is a perspective view a second embodiment of a polymer insulator showing my new design;
FIG. 7 is a front elevation view thereof; the rear elevation view, right side elevation view, and left side elevation view being a mirror image thereof;
FIG. 8 is a top plan view thereof;
FIG. 9 is a bottom plan view thereof; and
FIG. 10 is a cross-sectional view taken in the direction of line 10-10 in FIG. 7.
FIG. 11 is a perspective view of a third embodiment of a polymer insulator, showing my new design;
FIG. 12 is a front elevation view thereof; the rear elevation view, right side elevation view, and left side elevation view being a mirror thereof;
FIG. 13 is a top plan view thereof;
FIG. 14 is a bottom plan view thereof; and,
FIG. 15 is a cross-sectional view taken in the direction of line 15-15 in FIG. 12.
The dot-dash broken lines FIGS. 2, 7, and 12 are for reference purposes only; the broken lines form no part of the claimed design.

1 Claim, 15 Drawing Sheets



(58) **Field of Classification Search**

CPC 17/20; H01B 17/22; H01B 17/24; H01B
17/301

See application file for complete search history.

(56) **References Cited**

U.S. PATENT DOCUMENTS

3,549,791 A * 12/1970 Yonkers H01B 17/32
174/179
D235,190 S * 5/1975 Ross 174/168
4,315,699 A * 2/1982 Lusk H01B 17/38
174/179
4,427,843 A * 1/1984 Ishihara H01B 17/32
174/140 S
4,443,659 A * 4/1984 Tatem H01B 17/42
174/140 C
D274,616 S * 7/1984 Essig D13/131
4,494,890 A * 1/1985 Lusk H01B 17/38
403/267
4,514,591 A * 4/1985 Wheeler H01B 17/42
174/140 C
4,571,660 A * 2/1986 Mitsumatsu H01C 7/12
361/126
4,922,993 A * 5/1990 Matsuo B22D 19/00
164/100
5,159,158 A * 10/1992 Sakich H01B 17/06
174/140 S

FOREIGN PATENT DOCUMENTS

JP D1543566 * 2/2016
JP D1543567 * 2/2016
KR 300684986.0001 * 5/2013
KR 30-0712088 S 10/2013

* cited by examiner

FIG. 1

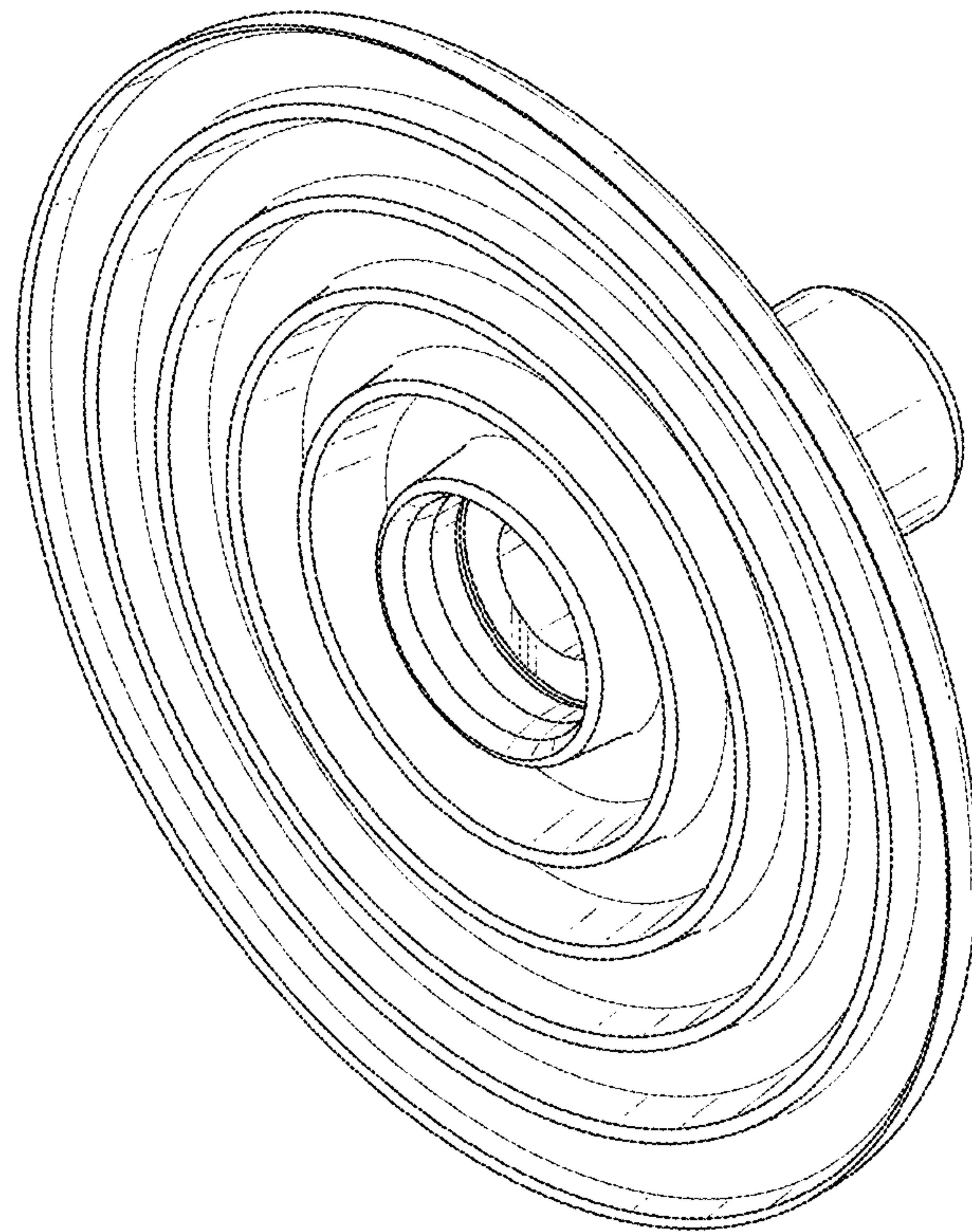


FIG. 2

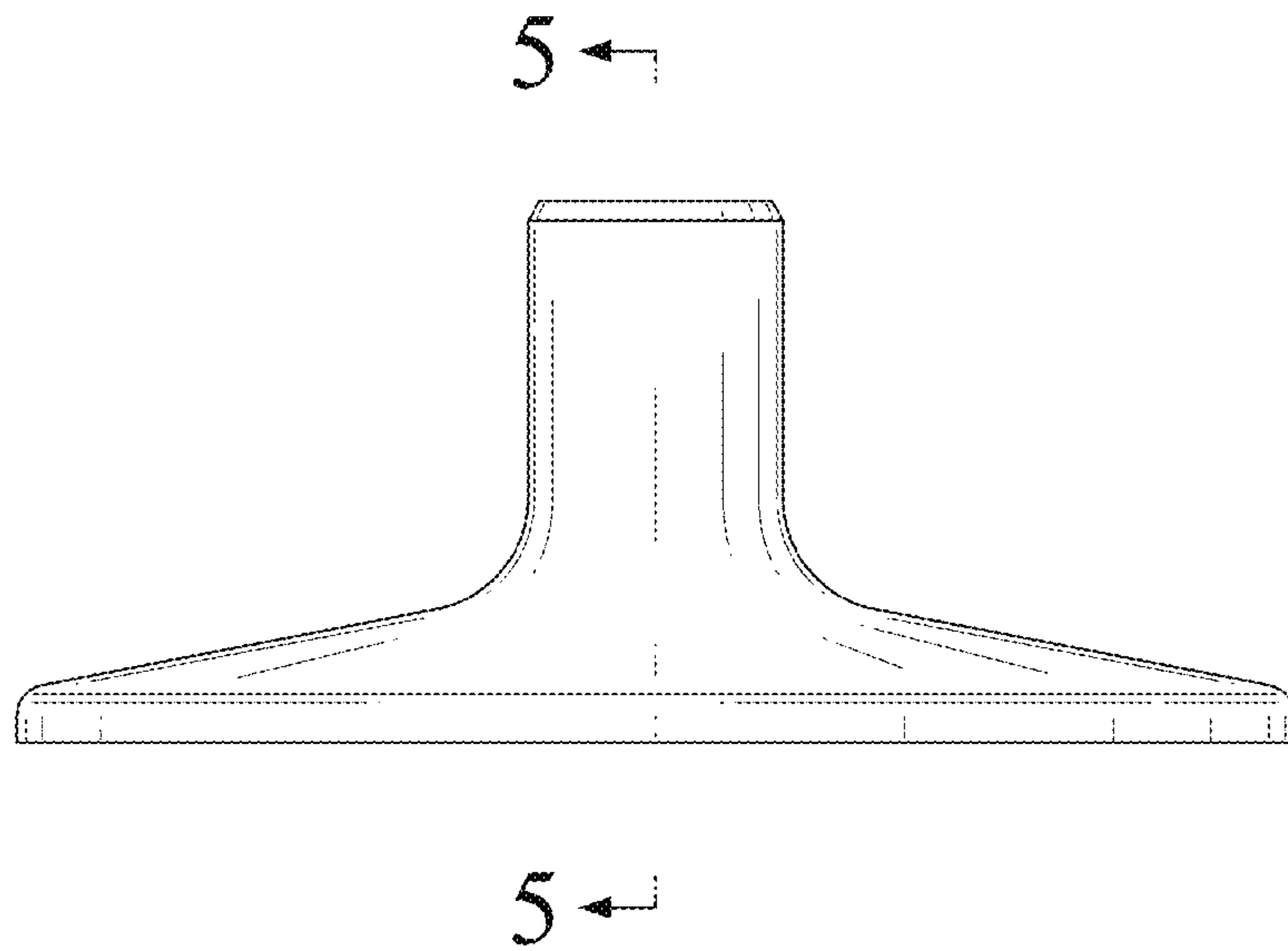


FIG. 3

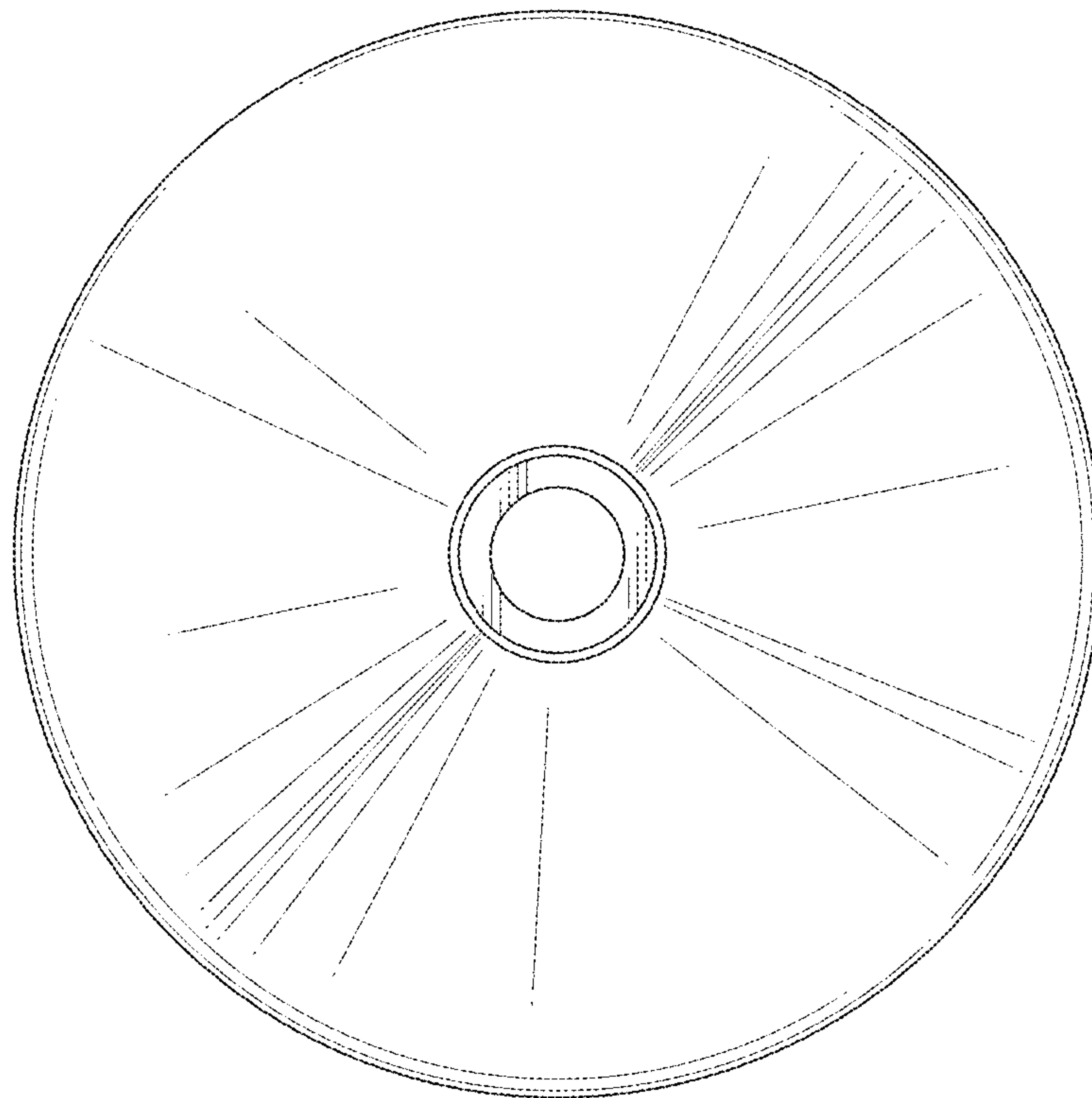


FIG. 4

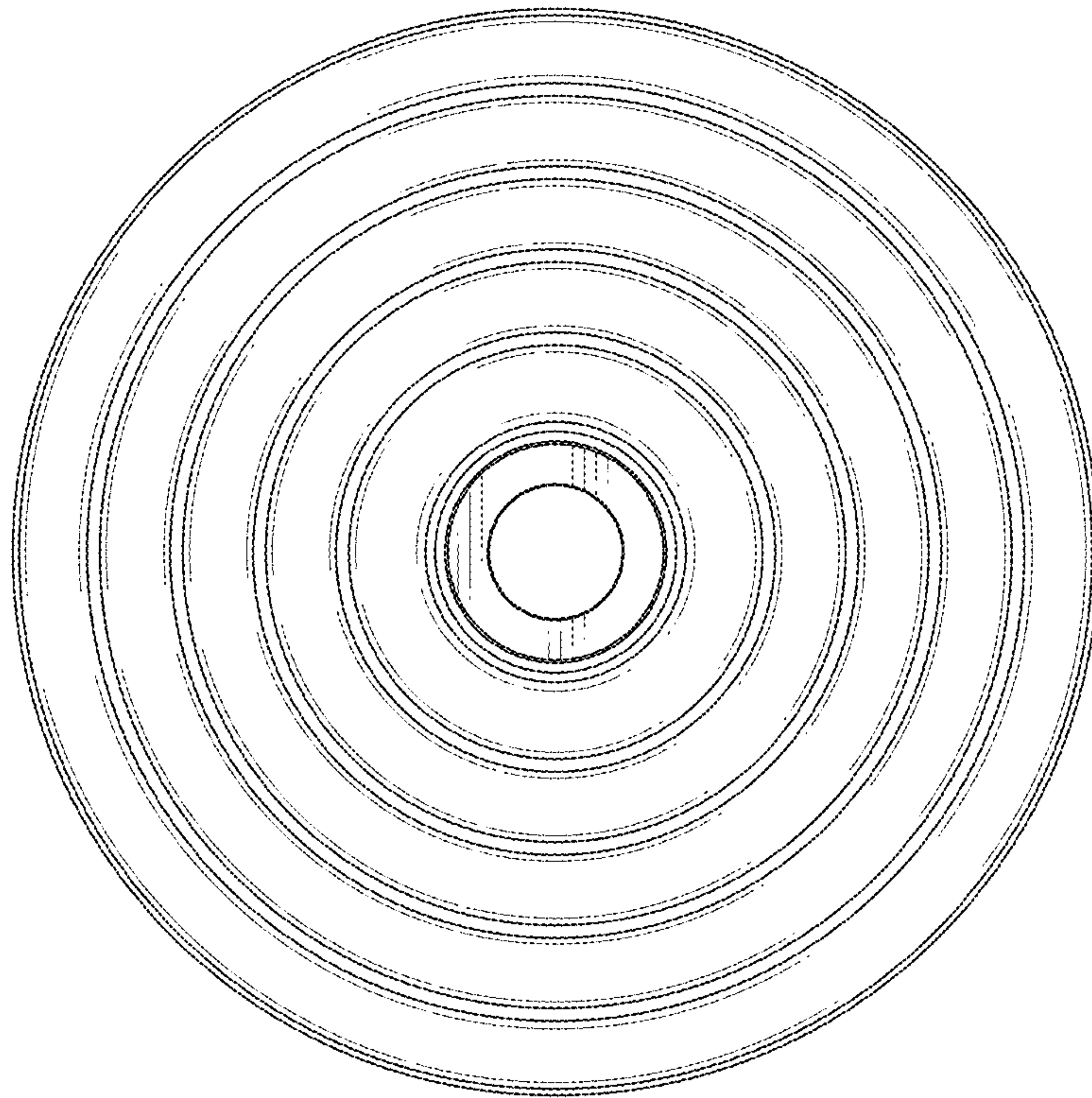


FIG. 5

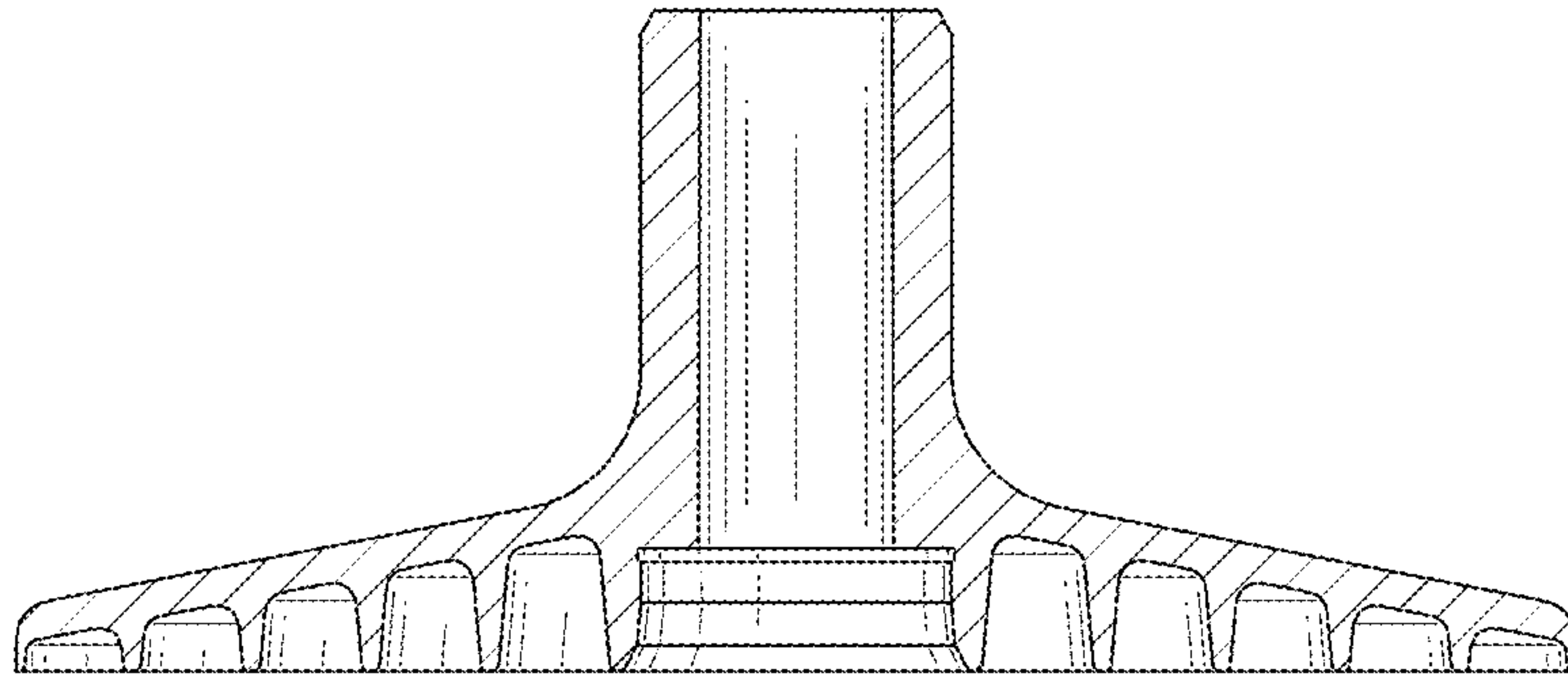


FIG. 6

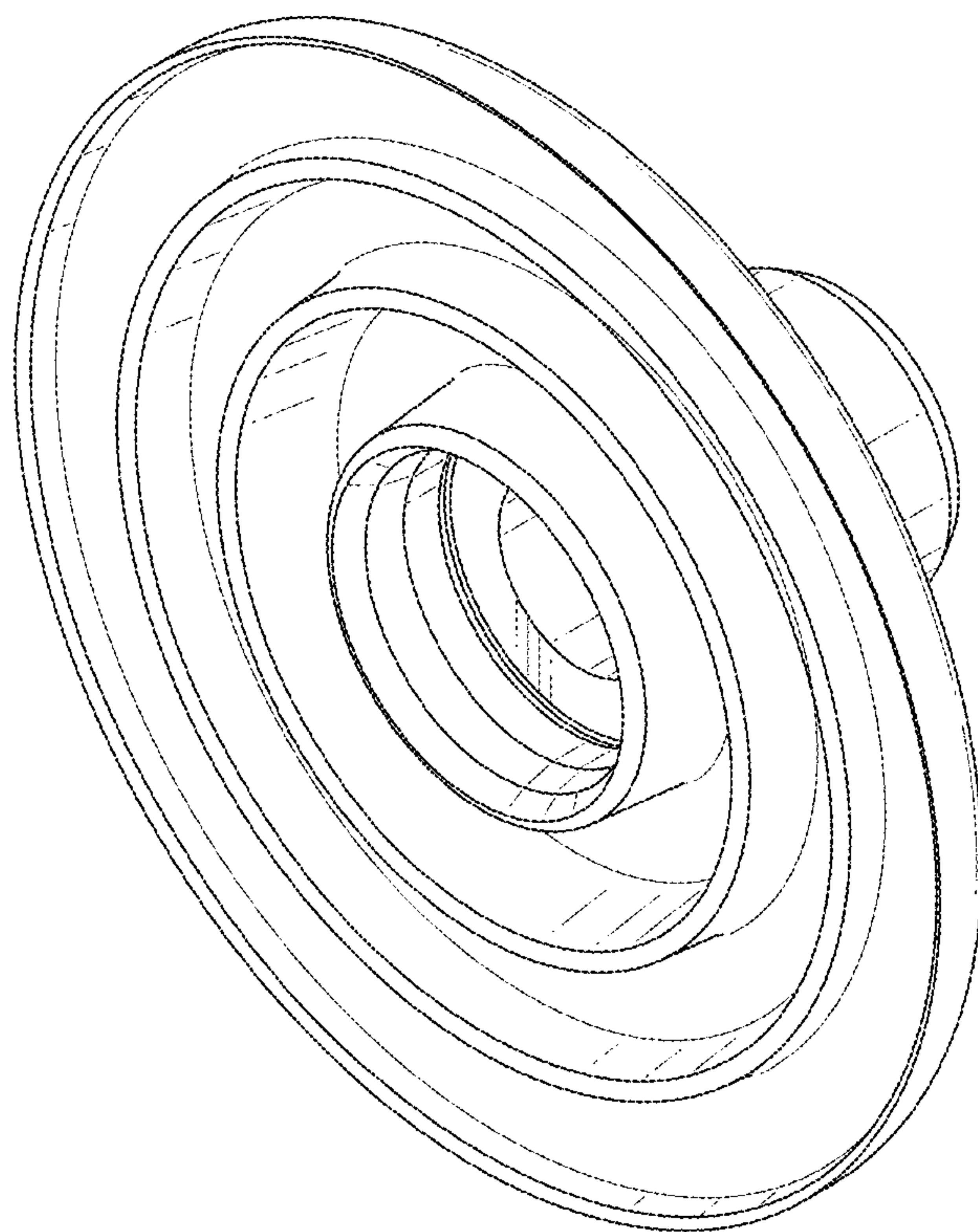
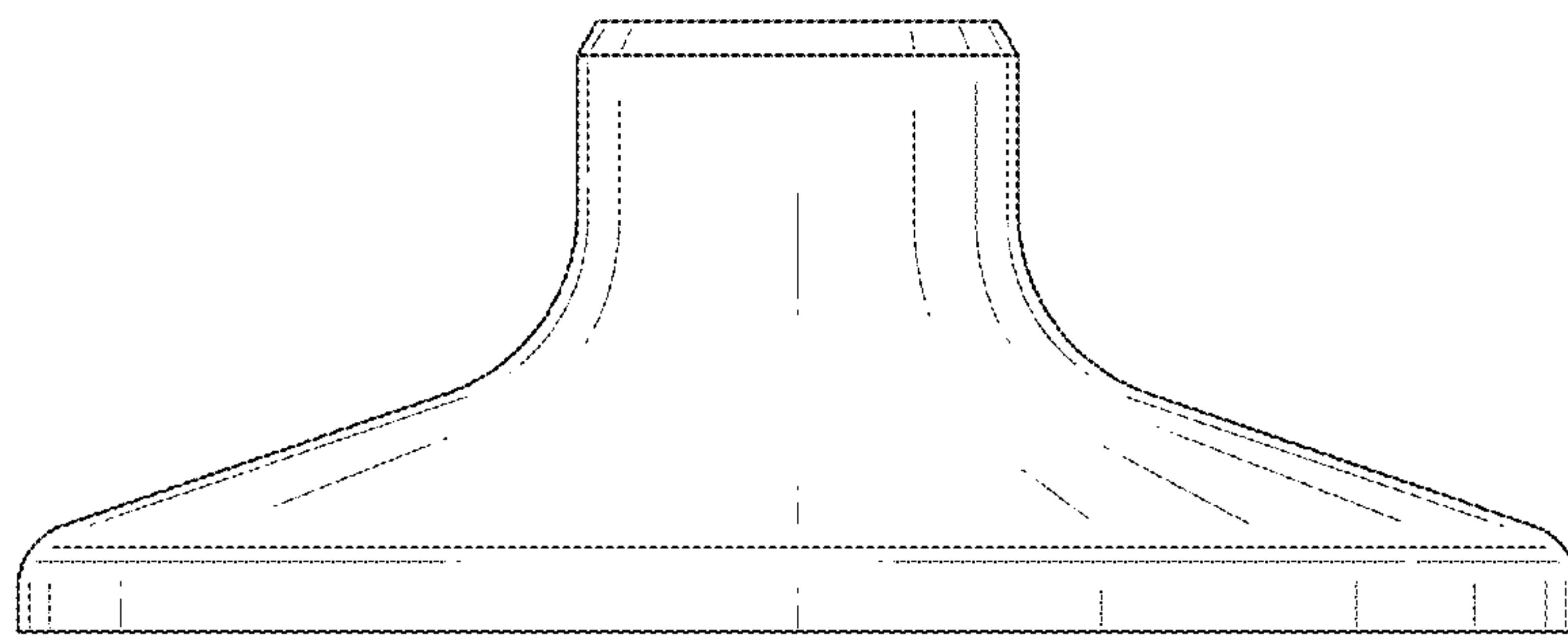


FIG. 7

10 ←



10 ←

FIG. 8

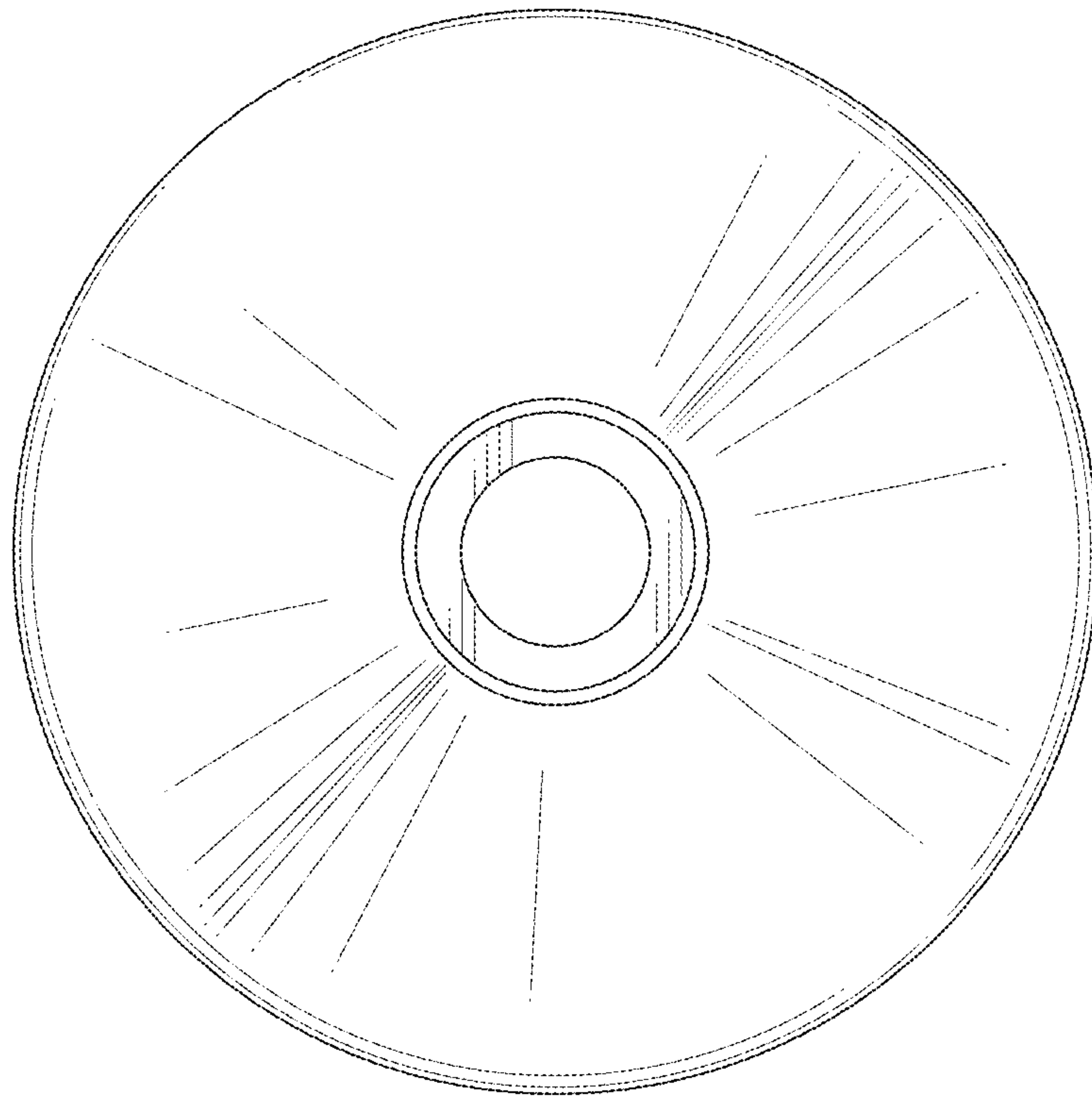


FIG. 9

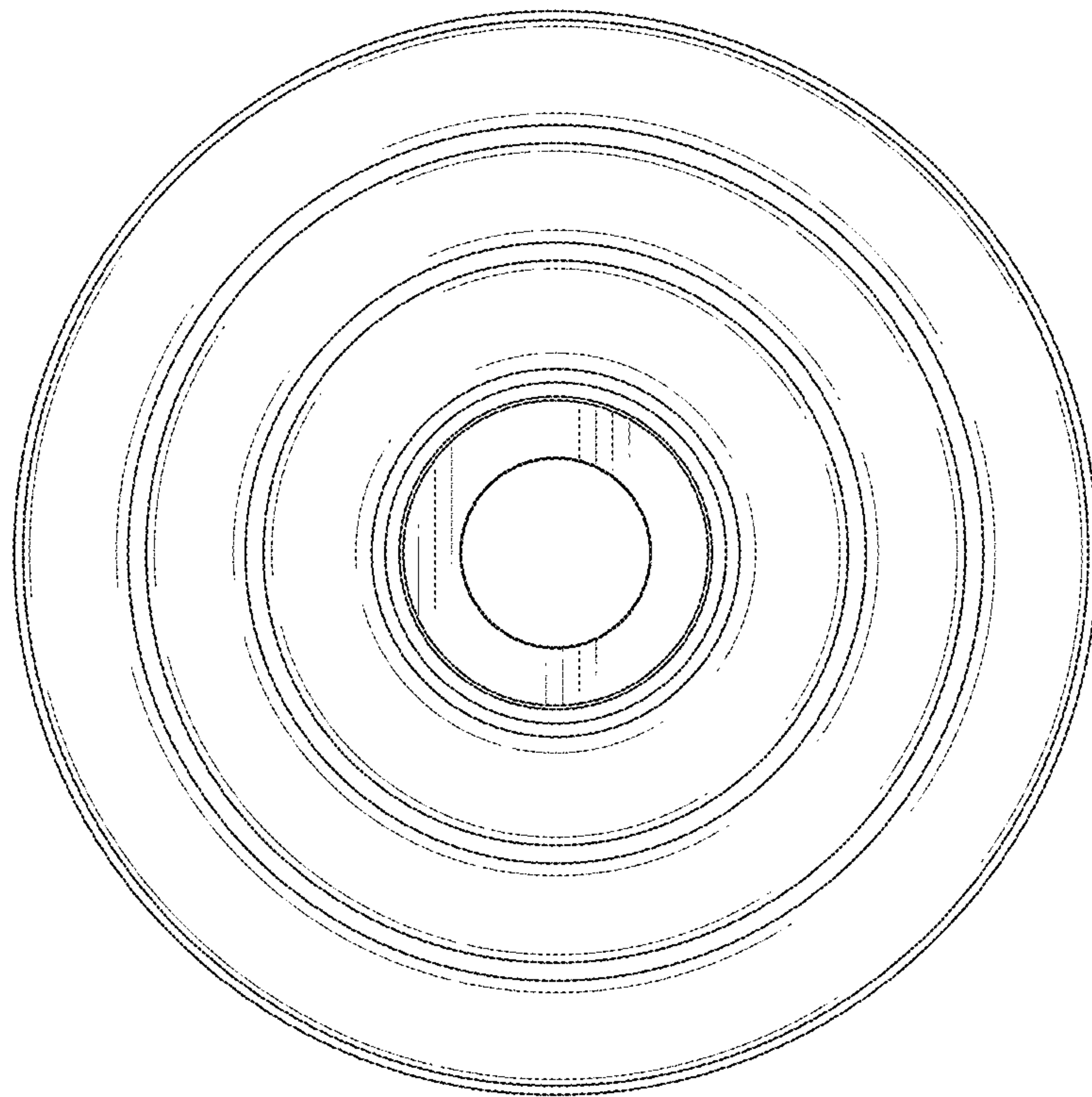


FIG. 10

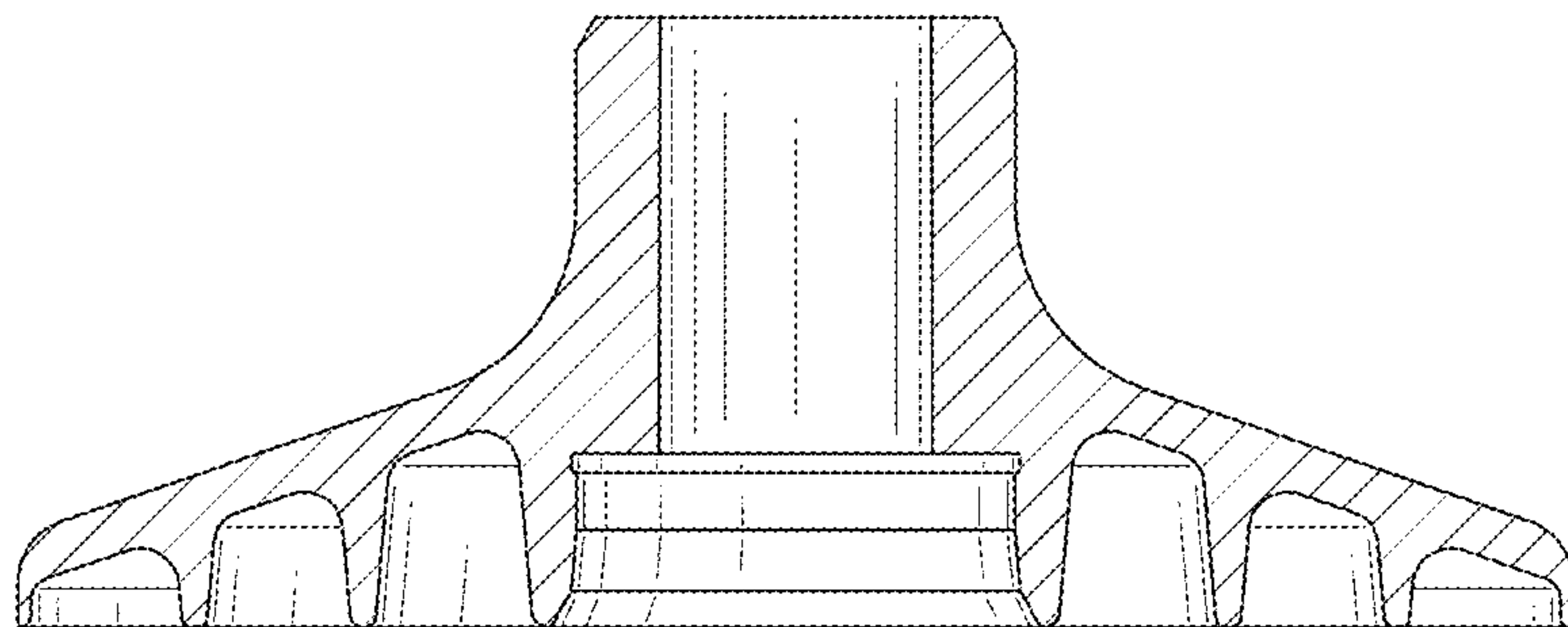


FIG. 11

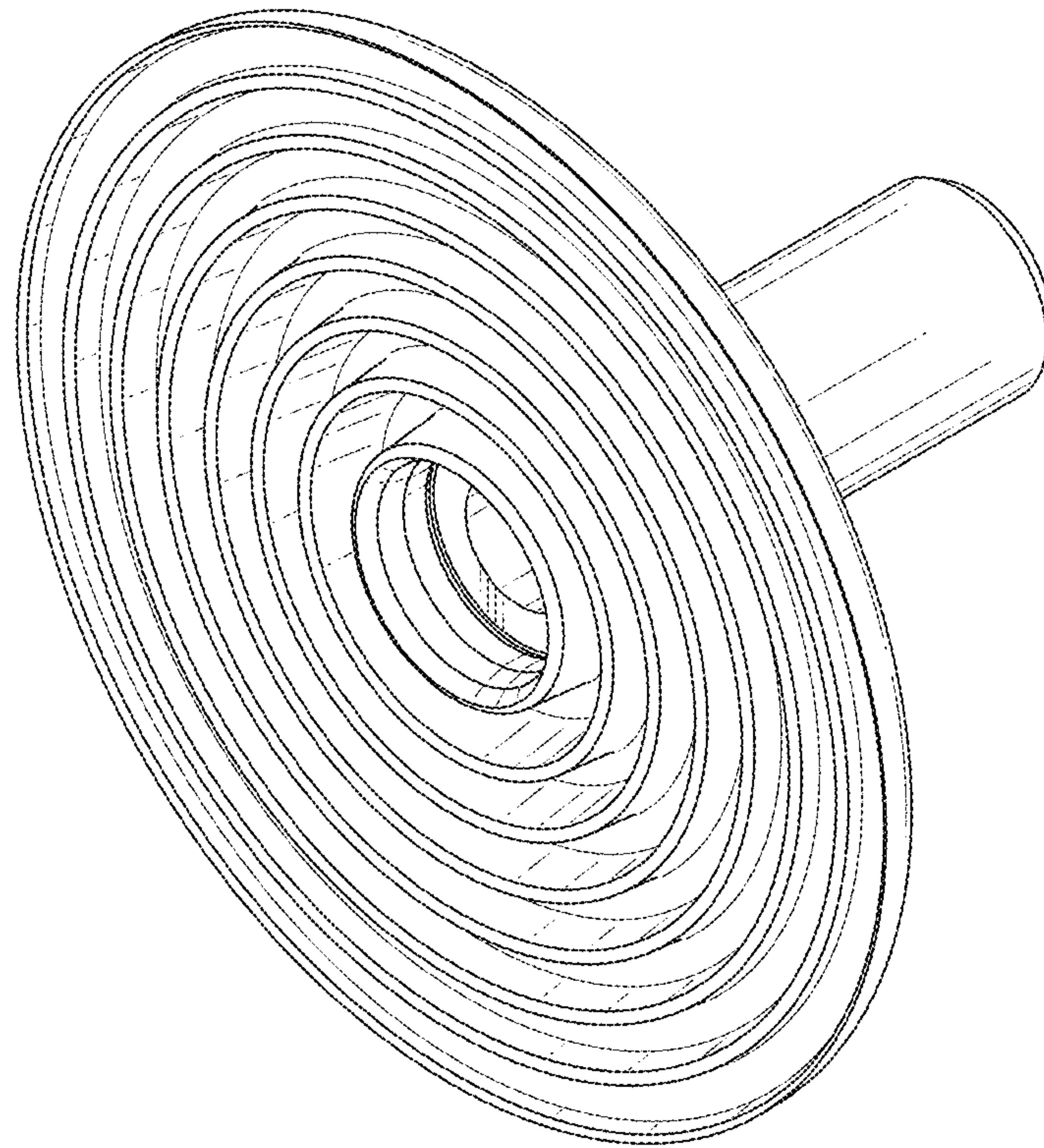


FIG. 12

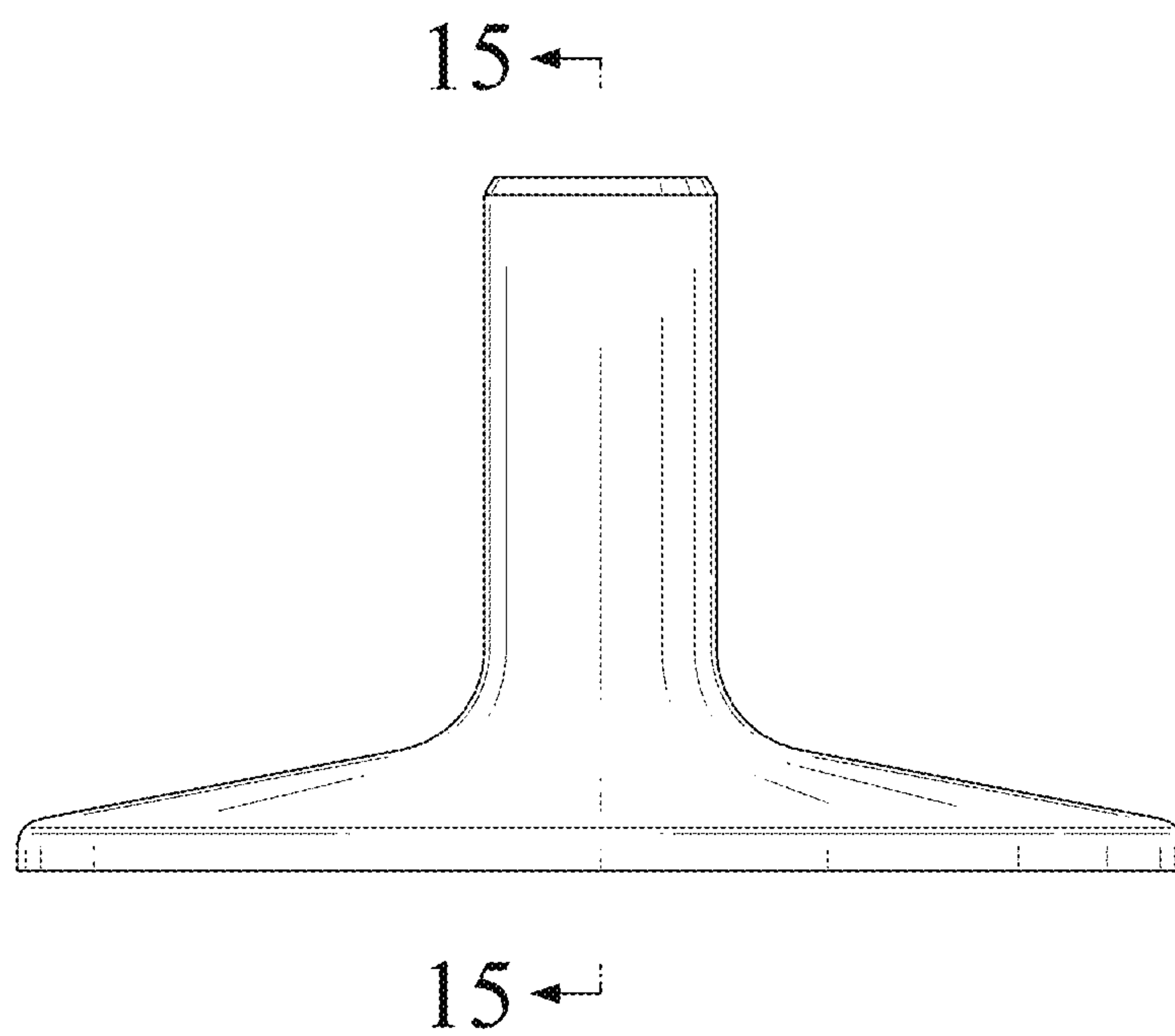


FIG. 13

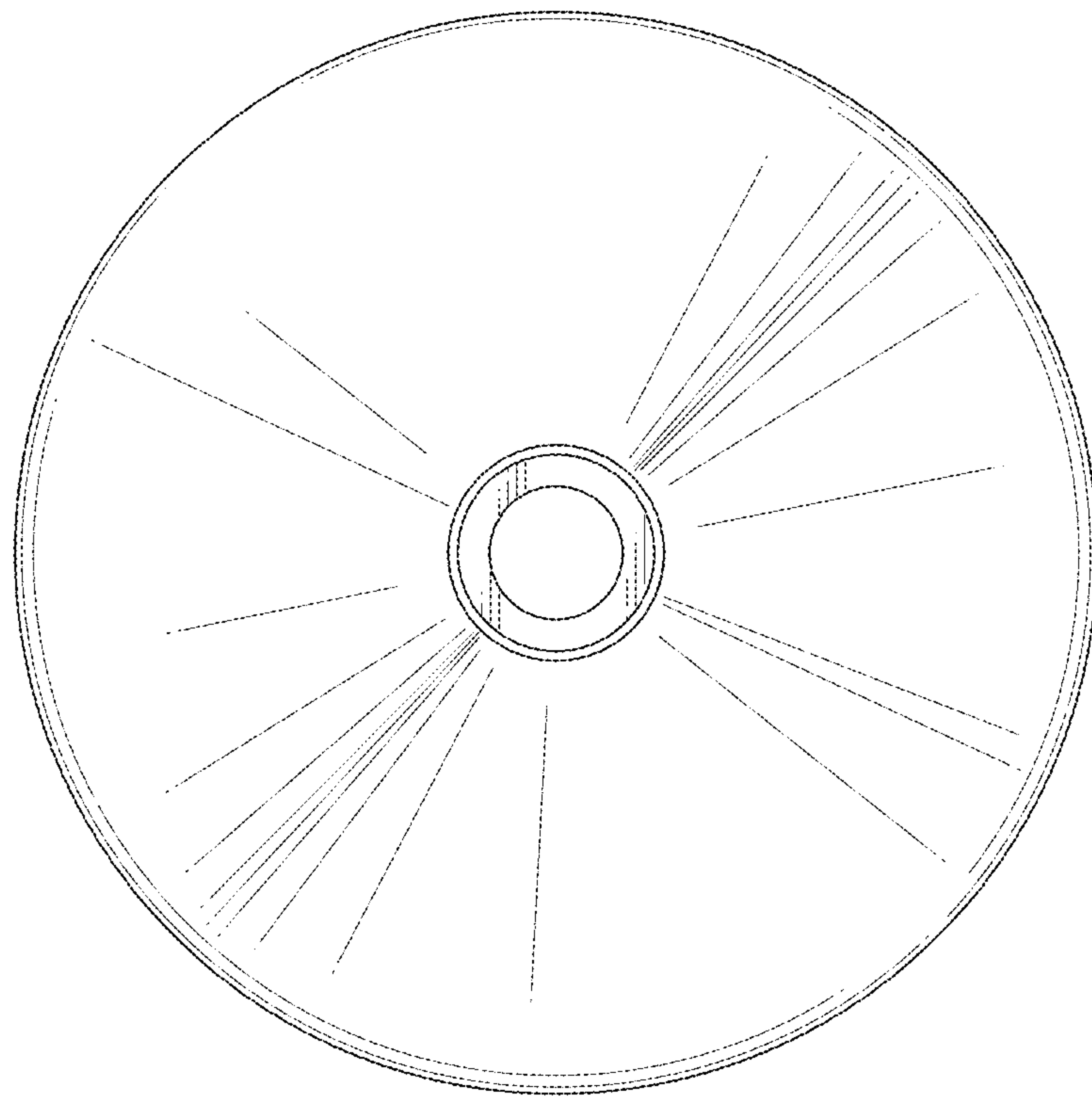


FIG. 14

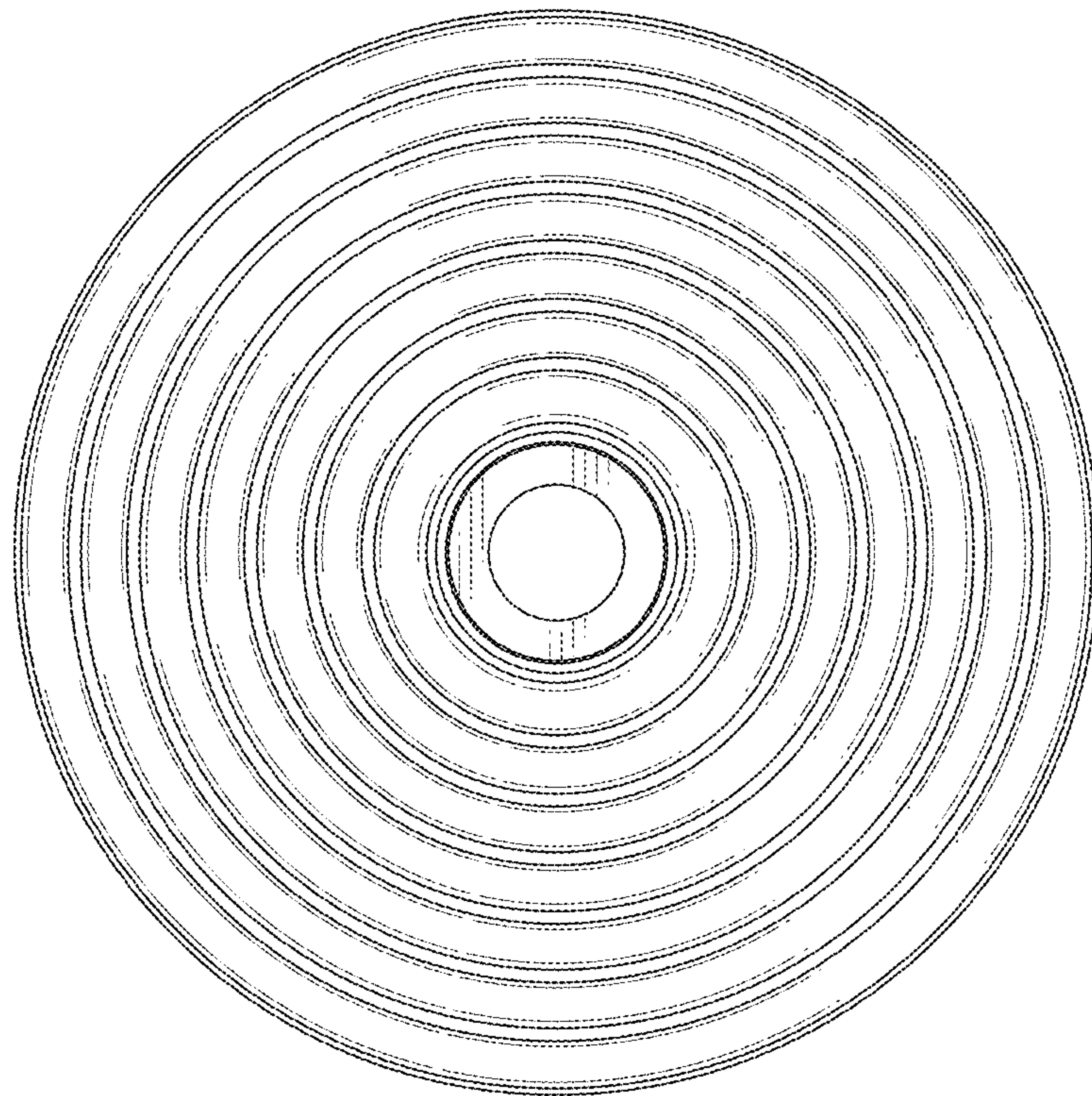


FIG. 15

