



US00D816611S

(12) **United States Design Patent** (10) **Patent No.:** **US D816,611 S**
Burch, V et al. (45) **Date of Patent:** **** May 1, 2018**

(54) **RPM SENSOR BRACKET**

(56) **References Cited**

(71) Applicant: **FEDEX CORPORATE SERVICES, INC.**, Collierville, TN (US)

U.S. PATENT DOCUMENTS

(72) Inventors: **Reuben F. Burch, V**, Mississippi State, MS (US); **Howard McKinney**, Bartlett, TN (US); **Matthew Doude**, Starkville, MS (US); **Andrew LeClair**, Starkville, MS (US); **Matthew Bilson**, Starkville, MS (US); **Greggory Alan Morris**, Starkville, MS (US); **Davis Donald Hesler**, Biloxi, MS (US)

D357,398	S	*	4/1995	Osbern	D8/349
D376,388	S	*	12/1996	Hall	D20/43
D540,148	S	*	4/2007	Moore	D8/330
D594,675	S	*	6/2009	Cahaly	D12/223
D750,952	S	*	3/2016	Herzog	D8/330
D791,575	S	*	7/2017	Hochman	D8/330
2016/0168885	A1	*	6/2016	Balcom	E05C 1/04 292/145

* cited by examiner

Primary Examiner — Cynthia Ramirez

Assistant Examiner — Laura H Yu

(73) Assignee: **Fedex Corporate Services, Inc.**, Collierville, TN (US)

(74) *Attorney, Agent, or Firm* — Withers & Keys, LLC

(**) Term: **15 Years**

(57) **CLAIM**

(21) Appl. No.: **29/577,554**

The ornamental design for RPM sensor bracket, as shown and described.

(22) Filed: **Sep. 14, 2016**

DESCRIPTION

(51) **LOC (11) Cl.** **13-02**

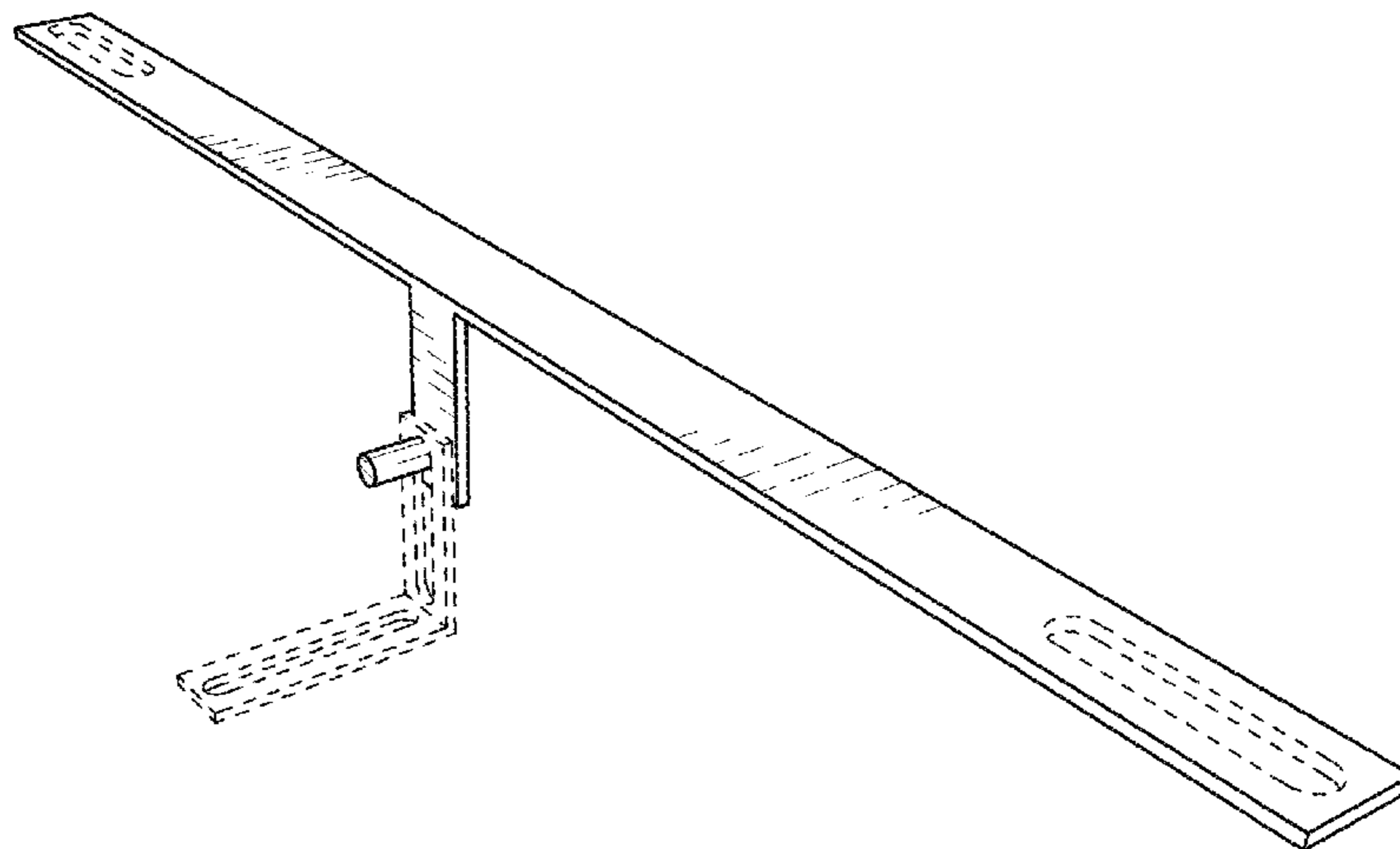
(52) **U.S. Cl.**
USPC **D13/118**

(58) **Field of Classification Search**
USPC D13/122, 112, 113, 114, 118, 124-125;
D8/330, 349, 364, 371; D15/5, 147, 148;
D12/223; 292/145, 147, 283, 342;
49/161-165, 174-175, 181; 70/208, 210,
70/215, 224
CPC E05B 3/003; E05B 63/0056; E05B 5/00;
E05B 77/34; E05B 17/0004; E05B
13/005; E05B 47/068; E05B 47/0692;
E05B 15/02; E05B 63/04; E05B 63/042;
E05B 13/10; E05B 83/02; E05C 3/24;
E05C 1/10; E05C 1/12; E05C 9/021;
E05C 9/1858; E05C 1/06; E05C 3/06;
B65F 3/00

FIG. 1 is a perspective view of a RPM sensor bracket showing our new design;
FIG. 2 is a rear view of the RPM sensor bracket shown in FIG. 1;
FIG. 3 is a frontal view of the RPM sensor bracket shown in FIG. 1;
FIG. 4 is a right side view of the RPM sensor bracket shown in FIG. 3;
FIG. 5 is a left side view of the RPM sensor bracket shown in FIG. 3;
FIG. 6 is a top view thereof; and,
FIG. 7 is a bottom view thereof.
The broken lines shown in the drawings illustrate portions of the RPM sensor bracket that forms no part of the claimed design.

See application file for complete search history.

1 Claim, 7 Drawing Sheets



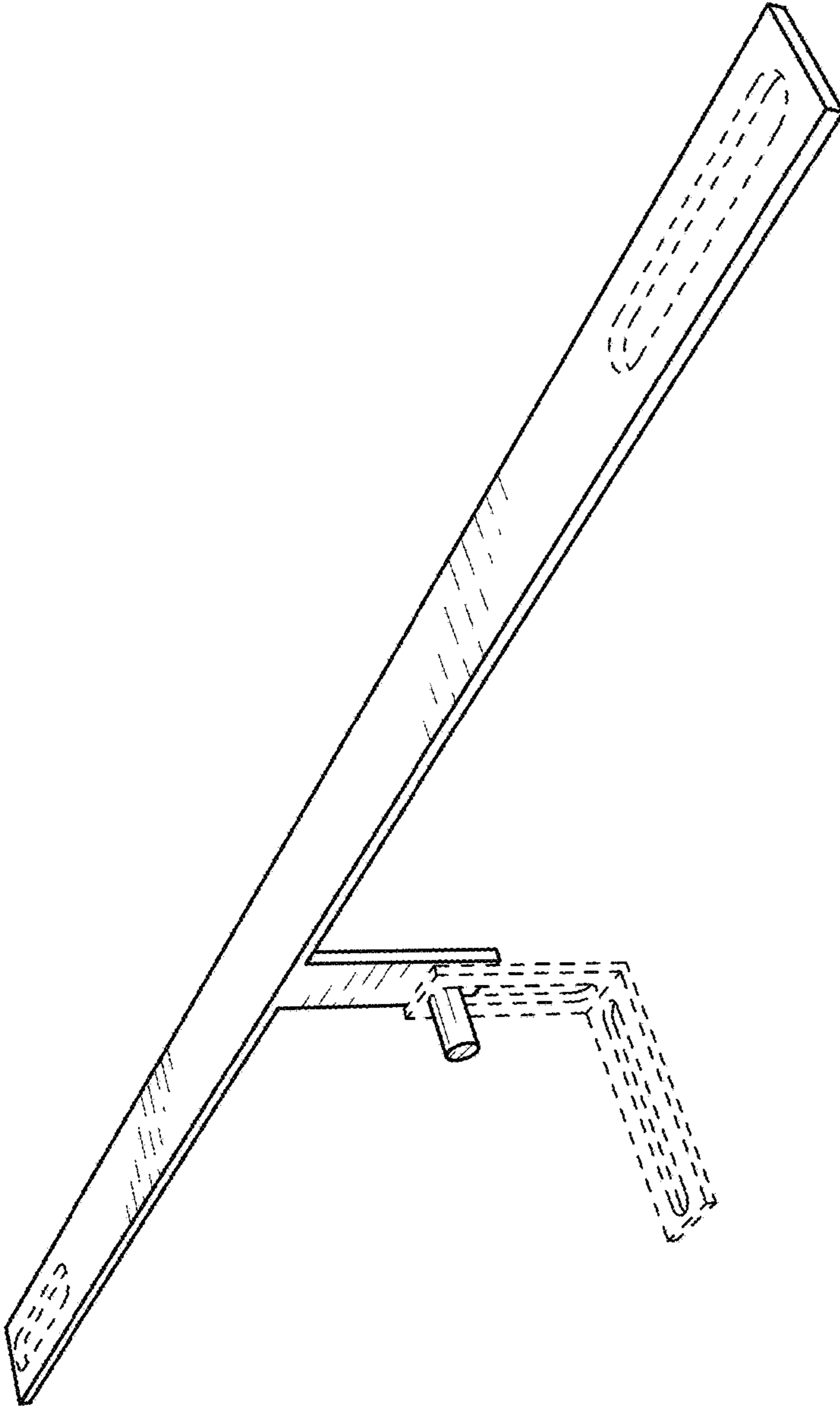


FIG. 1

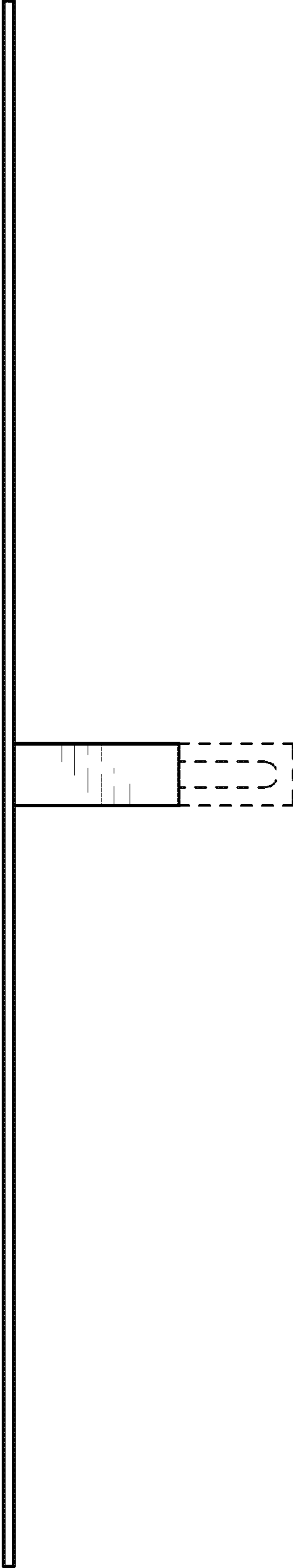


FIG. 2

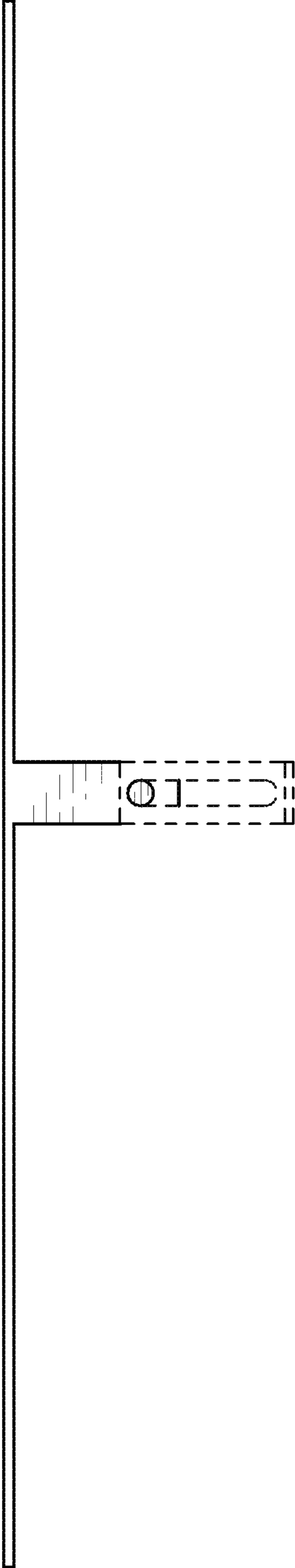


FIG. 3

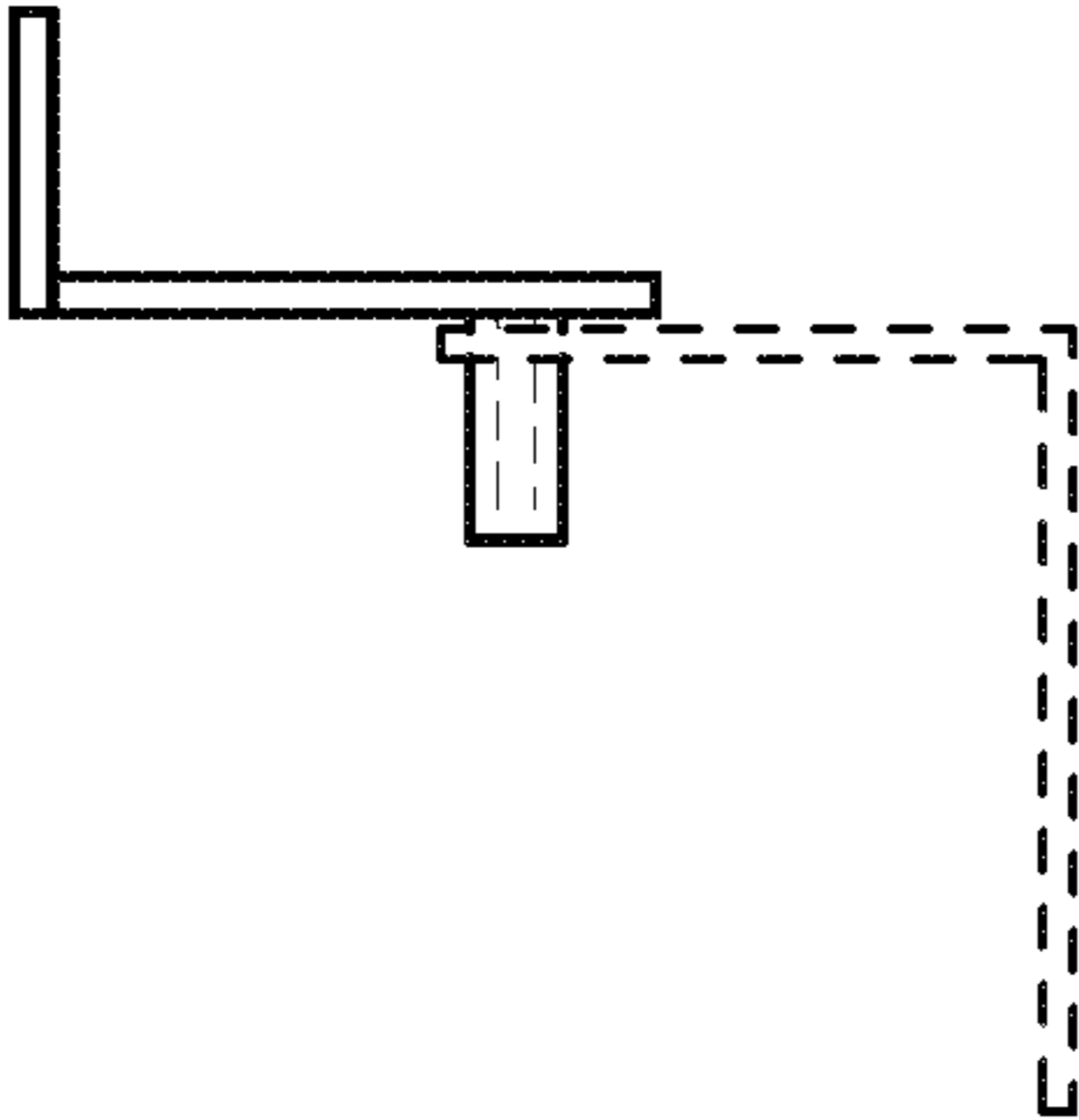


FIG. 4

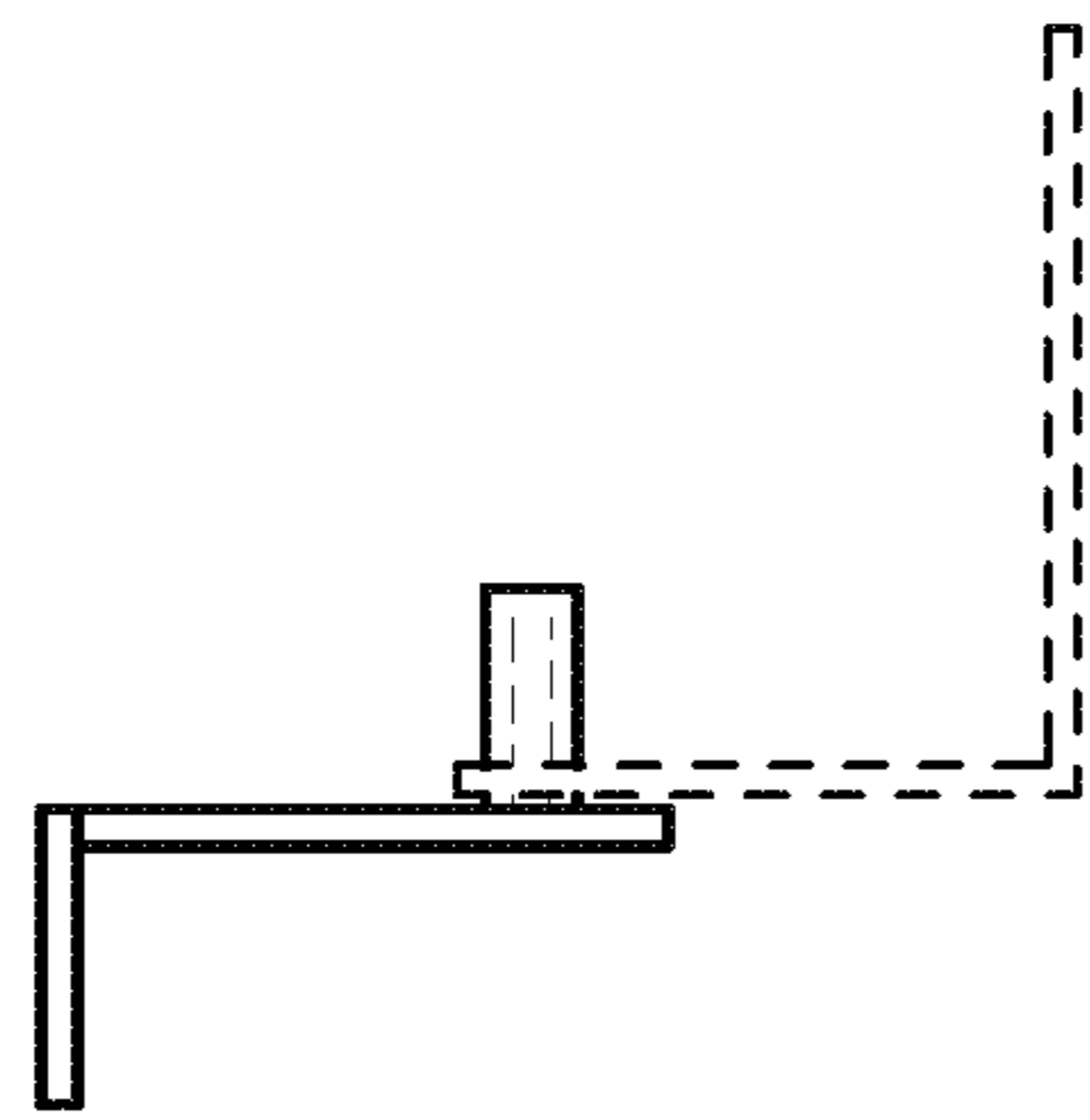


FIG. 5

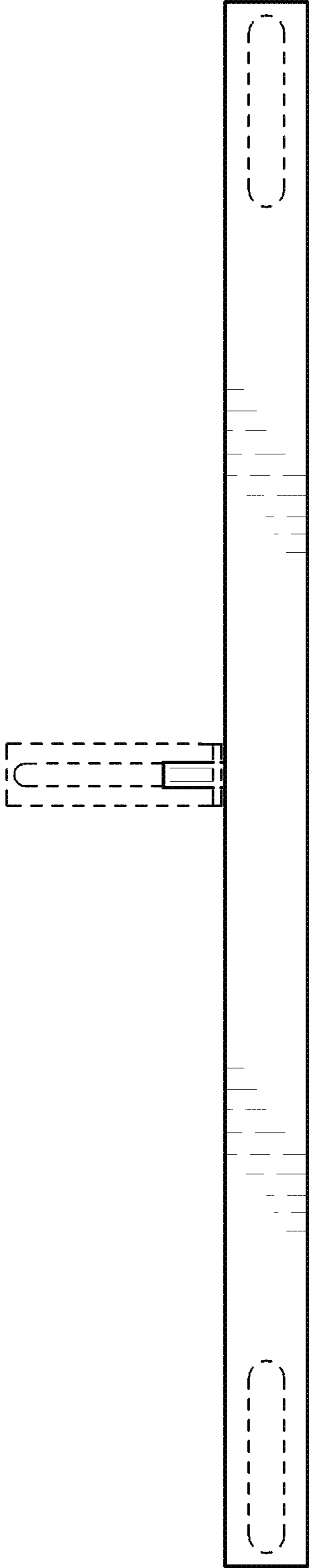


FIG. 6

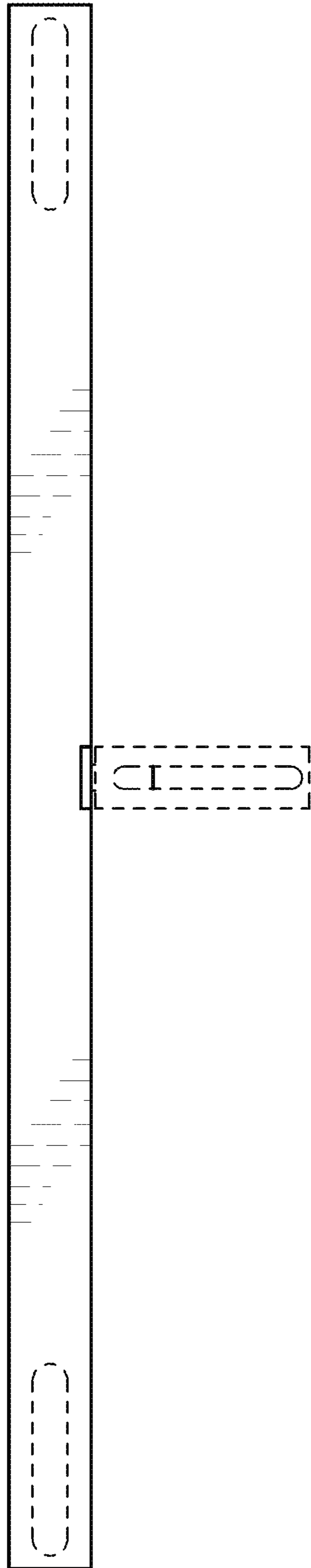


FIG. 7