



US00D816610S

(12) **United States Design Patent**
Lai

(10) **Patent No.:** **US D816,610 S**

(45) **Date of Patent:** **** May 1, 2018**

(54) **300W POWER INVERTER**

(71) Applicant: **Dongguan Mao Teng Electronic Technology Co., Ltd.**, Dongguan (CN)

(72) Inventor: **Keteng Lai**, Dongguan (CN)

(73) Assignee: **DONGGUAN MAO TENG ELECTRONIC TECHNOLOGY CO., LTD.**, Dongguan (CN)

(**) Term: **15 Years**

(21) Appl. No.: **29/601,189**

(22) Filed: **Apr. 20, 2017**

(51) **LOC (11) Cl.** **13-03**

(52) **U.S. Cl.**
USPC **D13/110**

(58) **Field of Classification Search**
USPC D13/108, 110, 118, 123, 180, 182, 184,
D13/199; D14/299, 433

CPC . H02M 2001/0009; H02M 2001/0083; H02M 2001/009; H02M 1/10; H02M 3/02; H02M 3/24; H02M 3/34; H02M 5/00; H02M 5/02; H02M 5/40; H02M 5/42; H02M 7/00; H02M 7/003; H02M 7/02; H02M 7/04; H02M 7/42; H02M 7/44; H02M 7/54; H02J 5/00; H05K 1/00; H05K 1/0213; H05K 5/00; H05K 5/0004; H05K 5/0008; H05K 5/0086; H05K 5/0247; H05K 5/03; H05K 5/04; H05K 7/00; H05K 7/20; H05K 7/20127; H05K 7/20136; H05K 7/20145; H05K 7/20154; H05K 7/20172

See application file for complete search history.

(56) **References Cited**

U.S. PATENT DOCUMENTS

D427,146 S *	6/2000	Wei	D13/110
D427,147 S *	6/2000	Wei	D13/110
D427,148 S *	6/2000	Wei	D13/110
D551,621 S *	9/2007	Iacovelli	D13/110
D692,827 S *	11/2013	Chen	D13/110
D742,826 S *	11/2015	Hetzroni	D13/110
D805,473 S *	12/2017	Montgomery	D13/110

* cited by examiner

Primary Examiner — Daniel Bui

(74) *Attorney, Agent, or Firm* — Gokalp Bayramoglu

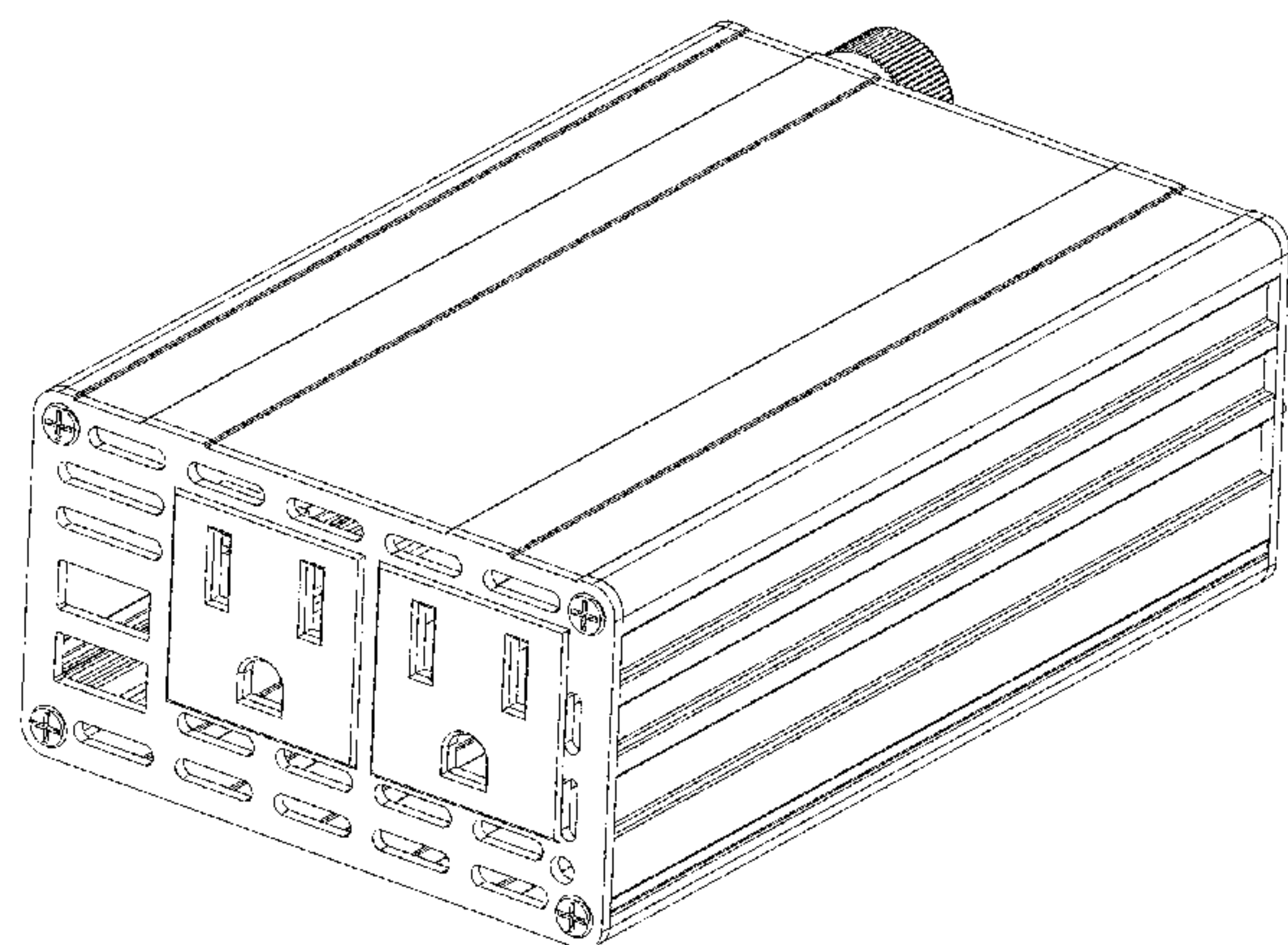
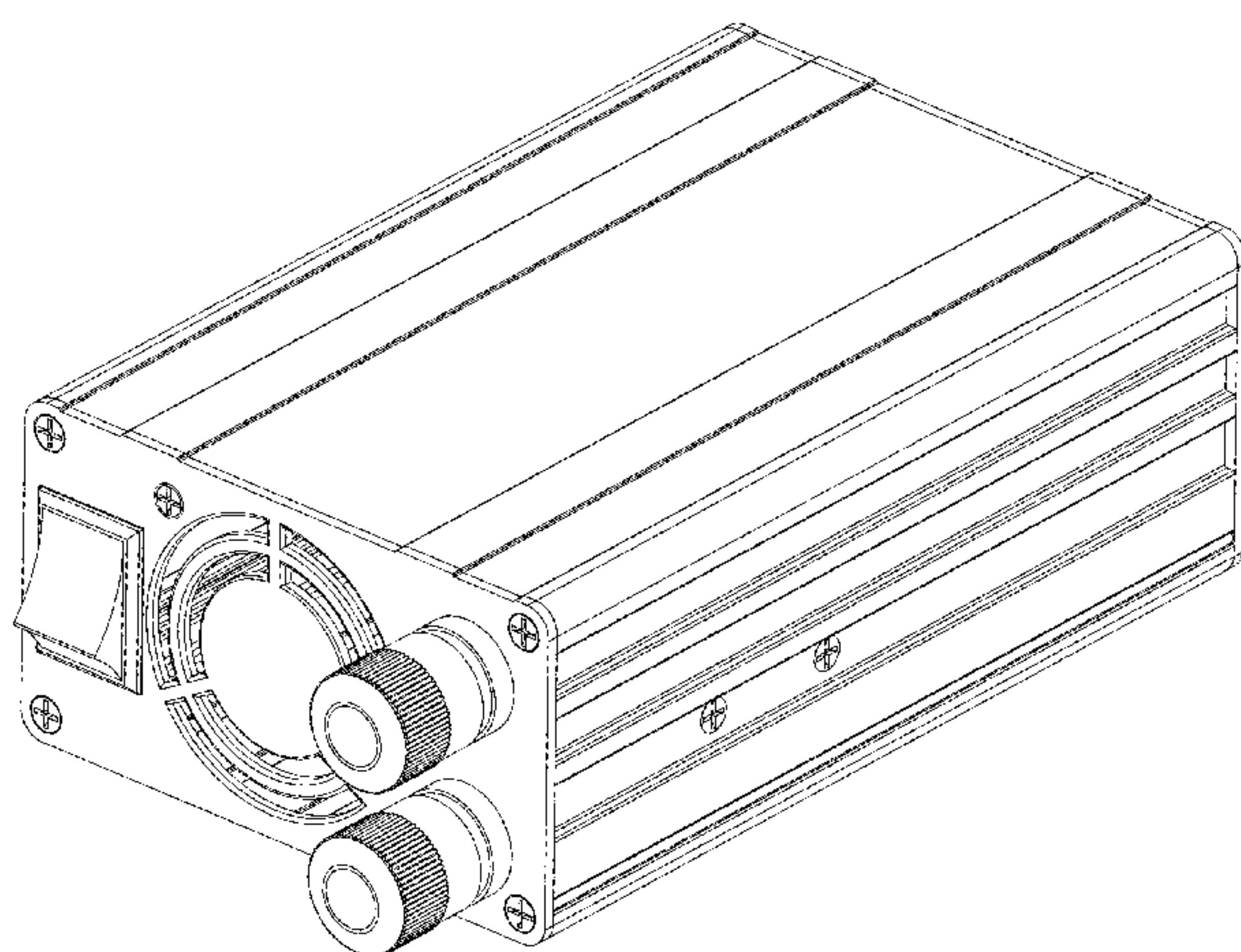
(57) **CLAIM**

The ornamental design for a 300W power inverter, as shown and described.

DESCRIPTION

FIG. 1 is a left side elevational view of a 300W power inverter showing my new design;
FIG. 2 is a front elevational view thereof;
FIG. 3 is a right side elevational view thereof;
FIG. 4 is a top plan view thereof;
FIG. 5 is a bottom plan view thereof;
FIG. 6 is a back elevational view thereof;
FIG. 7 is a top, front and left side perspective view thereof;
and,
FIG. 8 is a bottom, front and right side perspective view thereof.

1 Claim, 8 Drawing Sheets



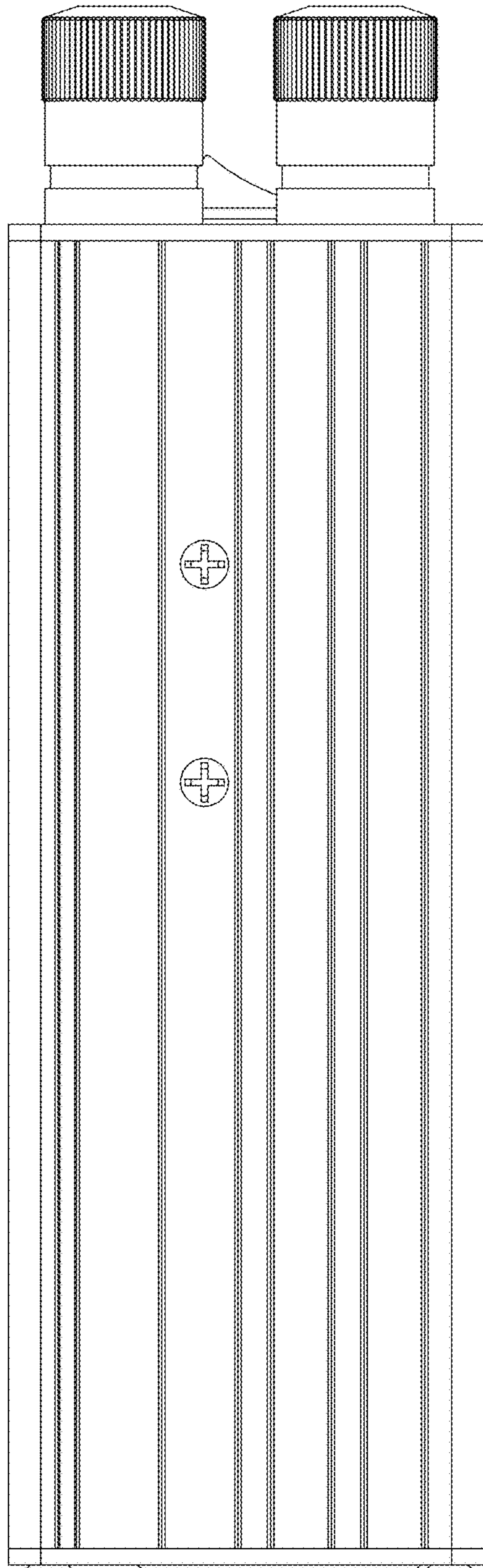


Figure 1

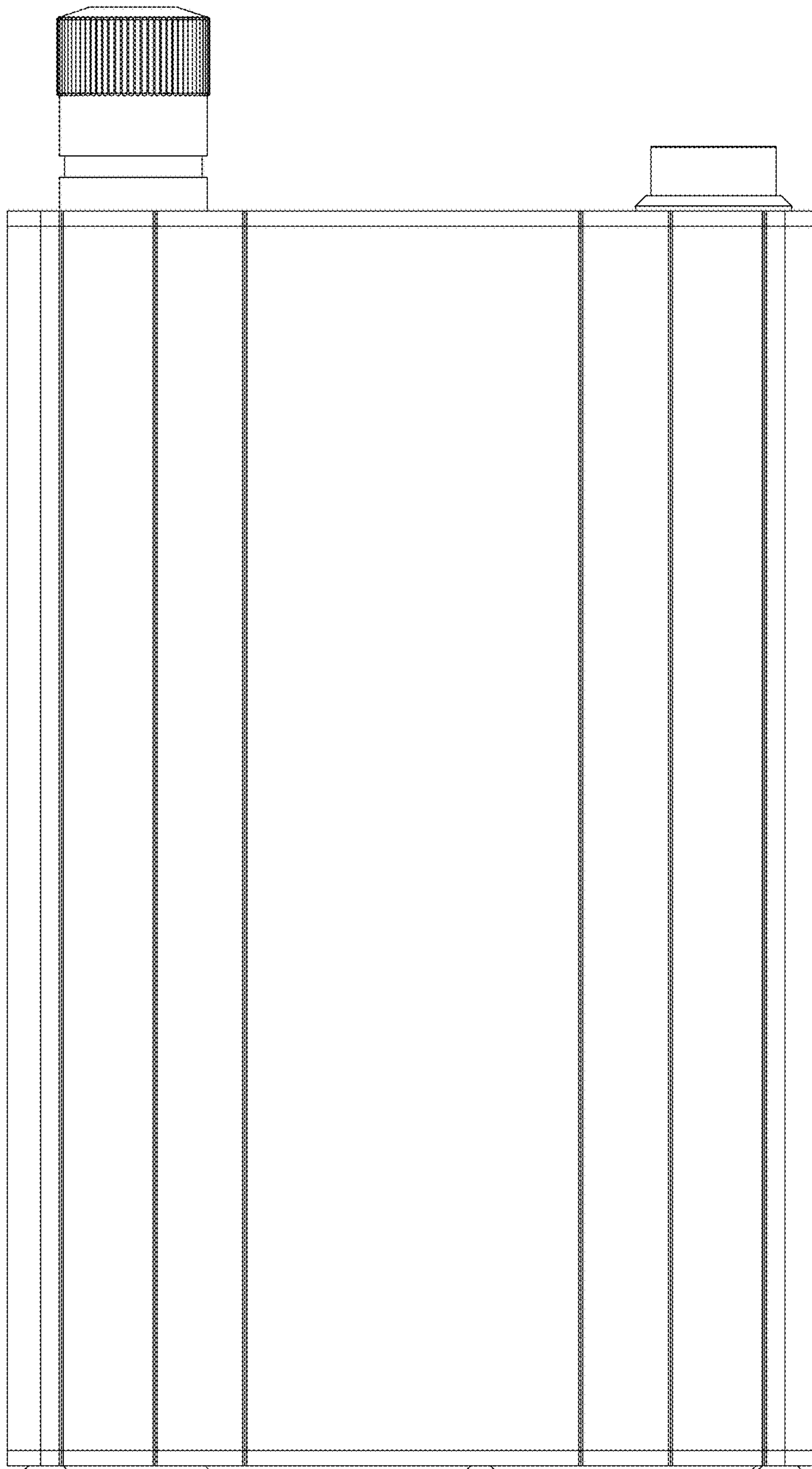


Figure 2

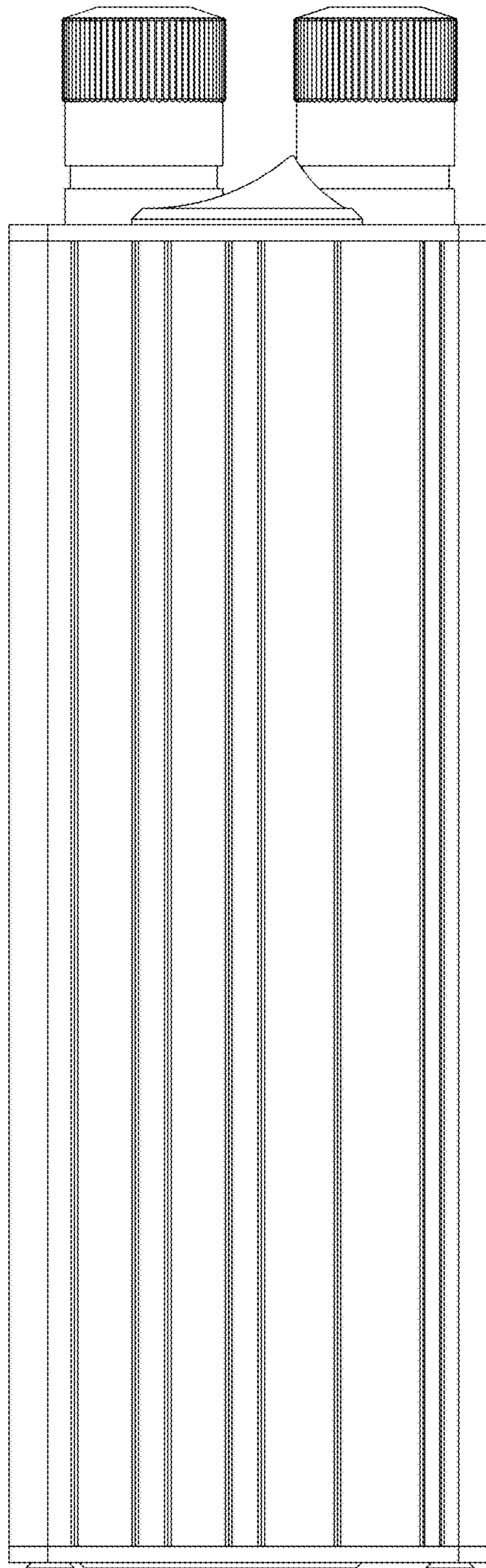


Figure 3

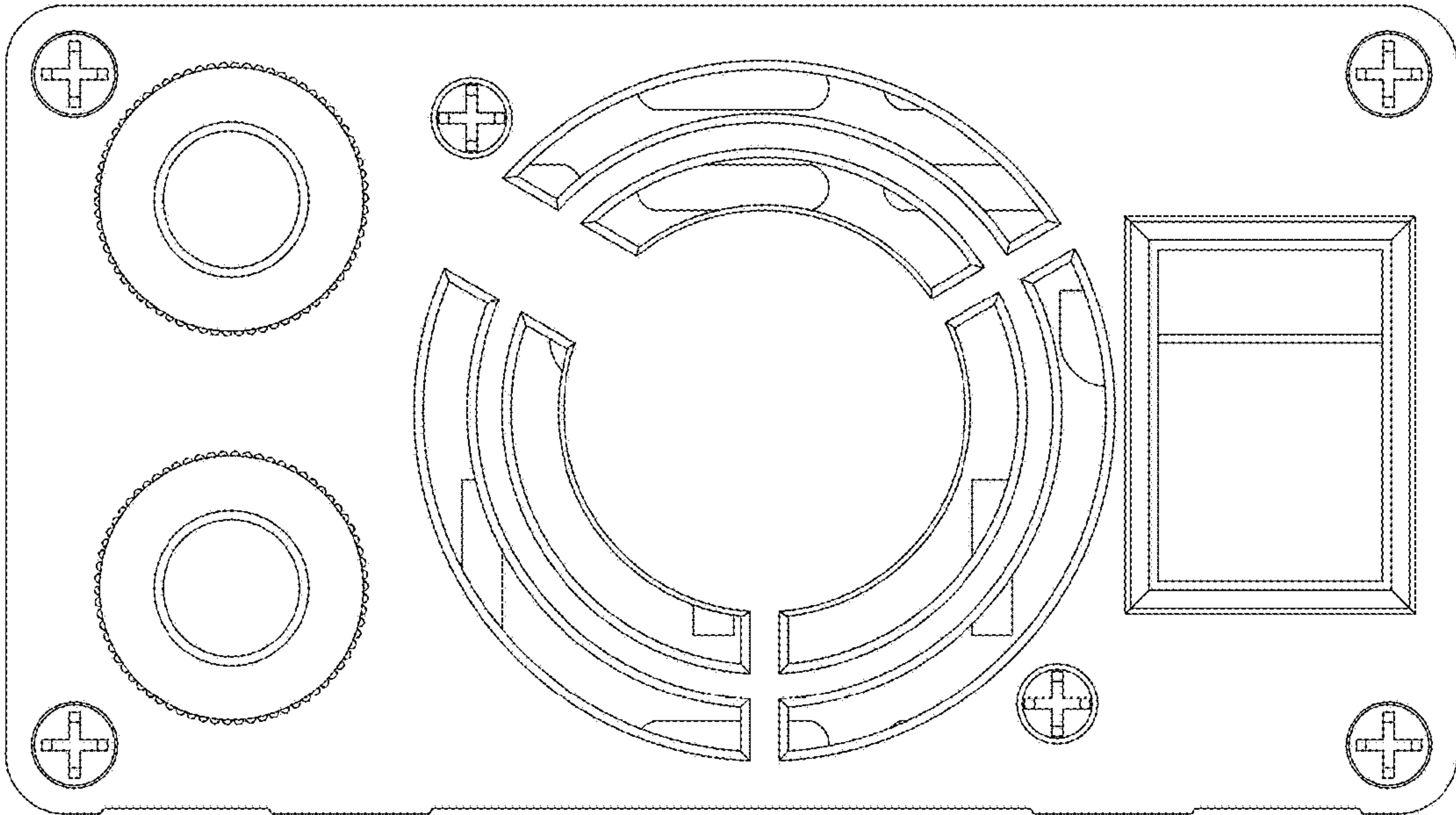


Figure 4

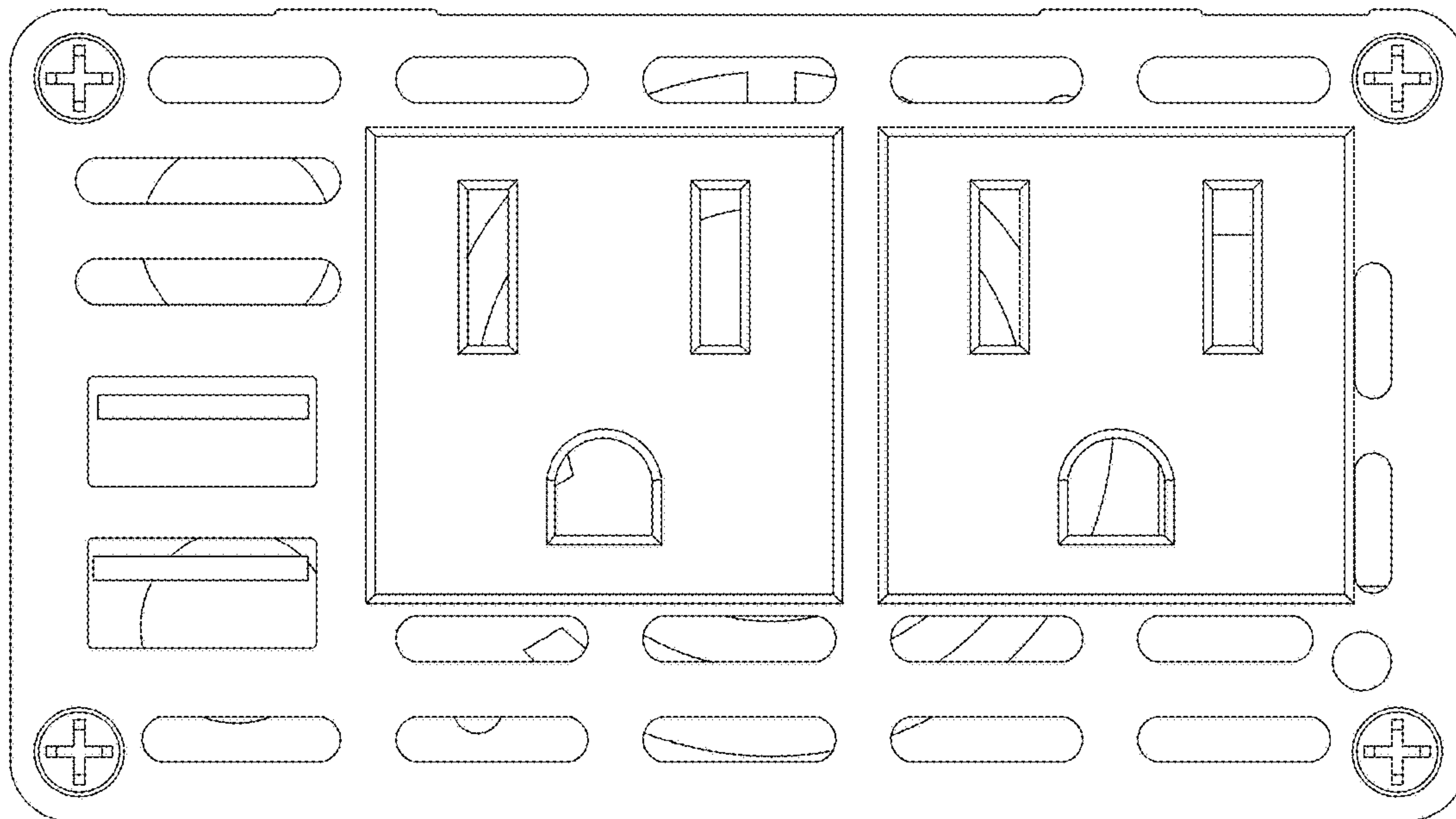


Figure 5

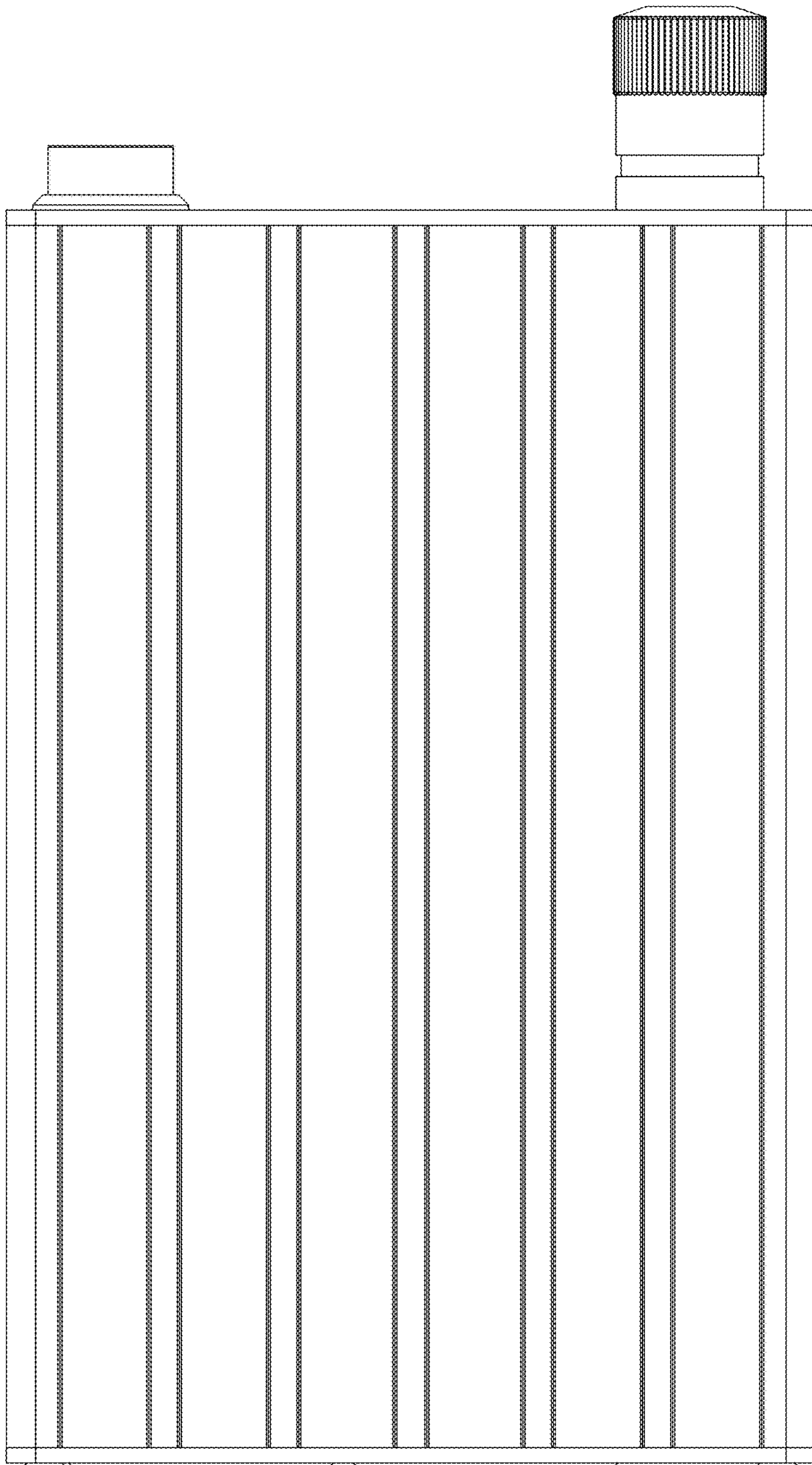


Figure 6

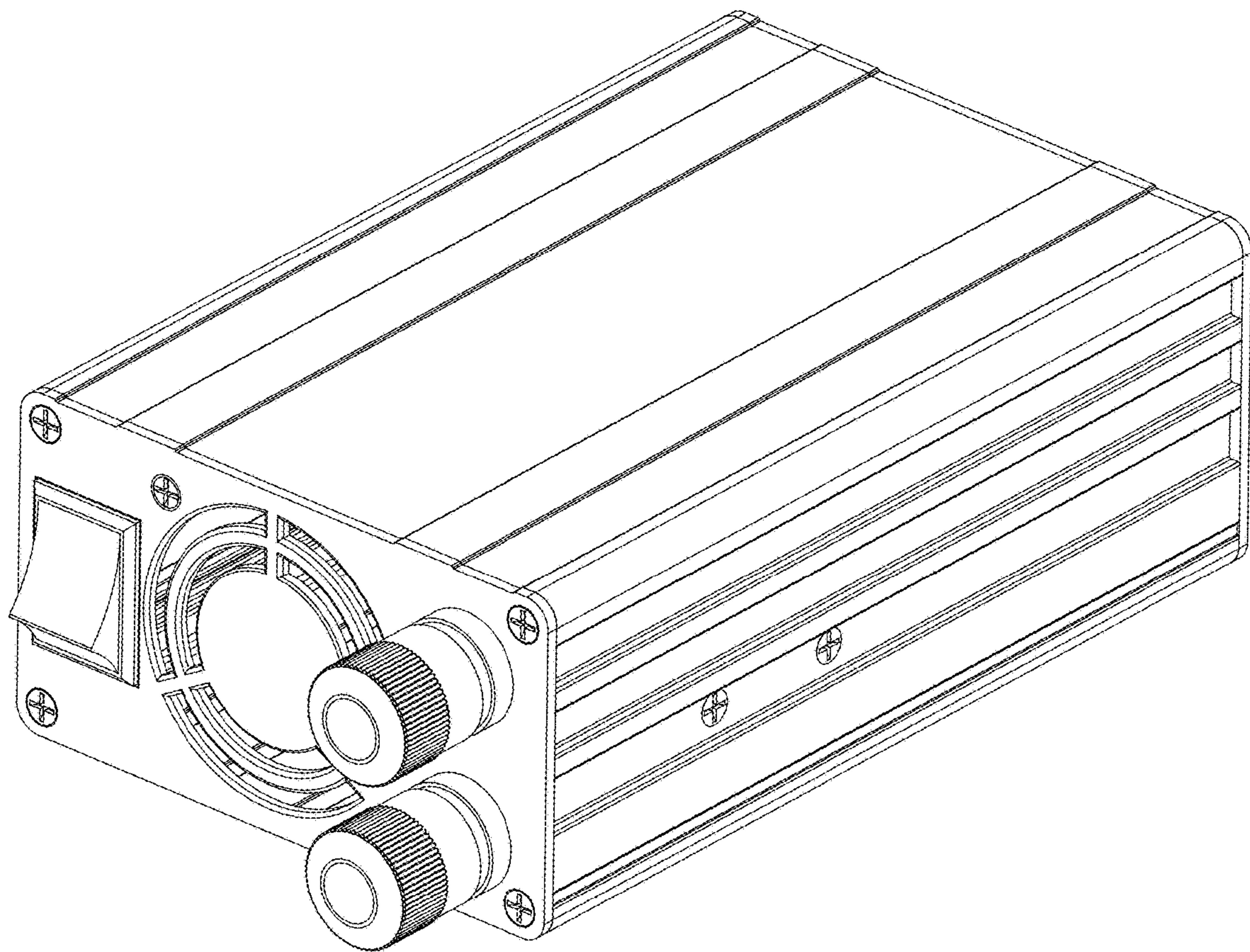


Figure 7

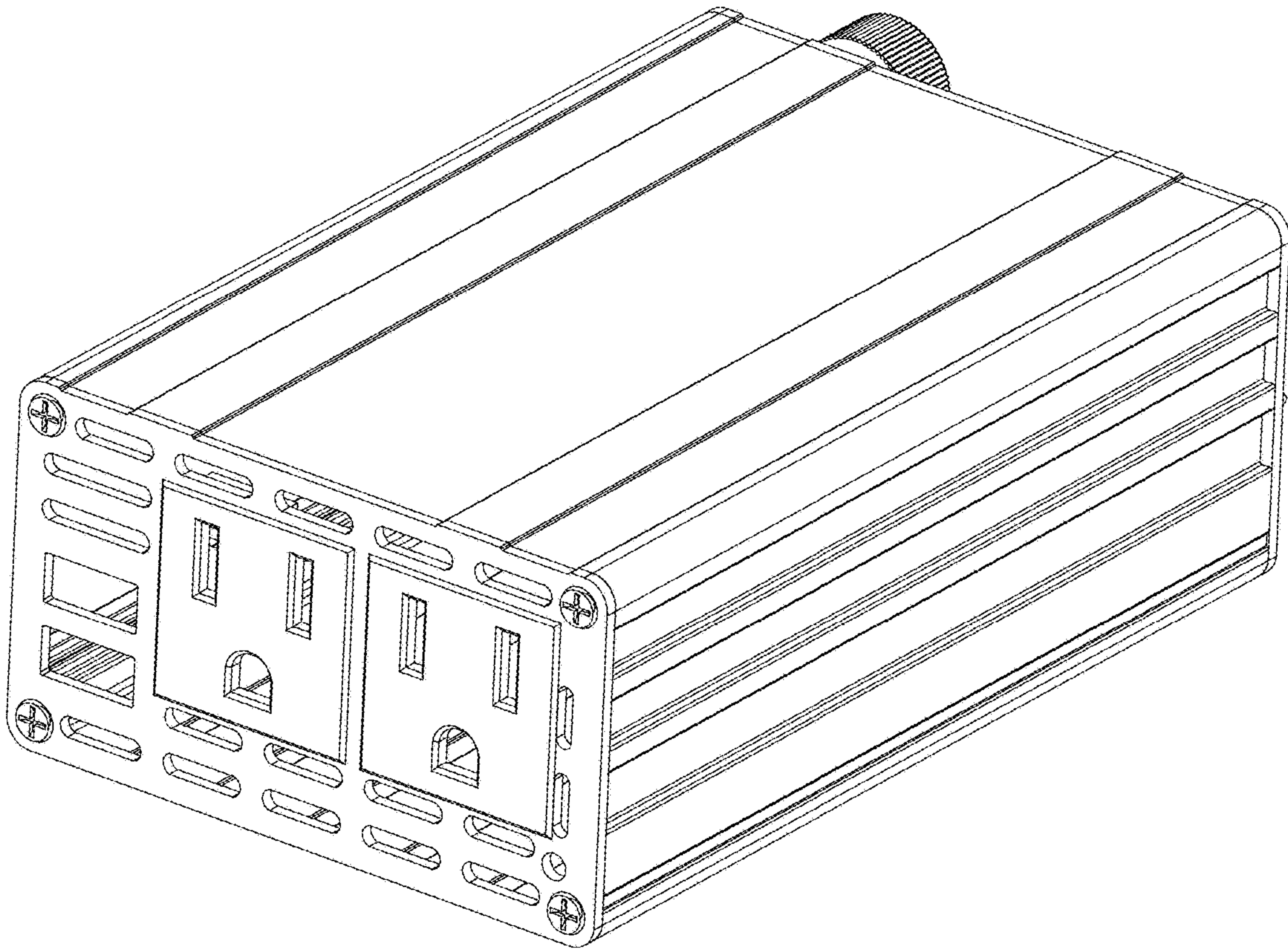


Figure 8