



US00D816609S

(12) **United States Design Patent** (10) **Patent No.:** **US D816,609 S**
Komuro (45) **Date of Patent:** **** May 1, 2018**

(54) **SIGNAL CONVERTER**

(71) Applicant: **YAMAHA CORPORATION**, Shizuoka (JP)

(72) Inventor: **Risa Komuro**, Hamamatsu (JP)

(73) Assignee: **YAMAHA CORPORATION**, Shizuoka (JP)

(**) Term: **15 Years**

(21) Appl. No.: **29/559,360**

(22) Filed: **Mar. 28, 2016**

(30) **Foreign Application Priority Data**

Sep. 29, 2015 (JP) 2015-021276

(51) **LOC (11) Cl.** **13-02**

(52) **U.S. Cl.**
USPC **D13/110**

(58) **Field of Classification Search**

USPC D13/110, 107, 108, 118, 119, 123, 133,
D13/137.1, 184, 199; D14/240, 242, 251,
D14/432, 433, 434, 480.1, 480.2; 174/53,
174/54, 59, 61; 307/11, 150, 151;
320/107, 111, 112, 113, 114, 115;
361/679.01; 363/142, 146; 439/131,
439/172, 626, 628, 638
CPC H01R 31/06; H01R 25/00; H02M 7/003;
H05K 7/1432; H02J 7/0062; H01M 2/02;
H01M 2/022; H01M 2/0202; H01M
2/0207; H01M 2/0212; H01M 2/105;
H01M 2/204; H01M 2/206

See application file for complete search history.

(56) **References Cited**

U.S. PATENT DOCUMENTS

5,019,767 A *	5/1991	Shirai	H01M 2/105 224/902
D454,130 S *	3/2002	Do	D14/435.1
D479,823 S *	9/2003	Andre	D13/110
D531,579 S *	11/2006	Peng	D13/147
D671,491 S *	11/2012	Zaslavsky	D13/110
D674,755 S *	1/2013	Suzuki	D13/147
D676,380 S *	2/2013	Sun	D13/108
D693,768 S *	11/2013	Alesi	D13/110

* cited by examiner

Primary Examiner — Derrick Holland

(74) *Attorney, Agent, or Firm* — Sughrue Mion, PLLC

(57) **CLAIM**

The ornamental design for a signal converter, as shown and described.

DESCRIPTION

FIG. 1 is a perspective view of the front, top and right side of a signal converter showing my new design;
FIG. 2 is a perspective view of the rear, top and left side thereof;
FIG. 3 is a front view thereof;
FIG. 4 is a rear view thereof;
FIG. 5 is a left side view thereof;
FIG. 6 is a right side view thereof;
FIG. 7 is a top plan view thereof; and,
FIG. 8 is a bottom plan view thereof.
The broken lines shown represent unclaimed subject matter and forms no part of the claimed design.

1 Claim, 8 Drawing Sheets

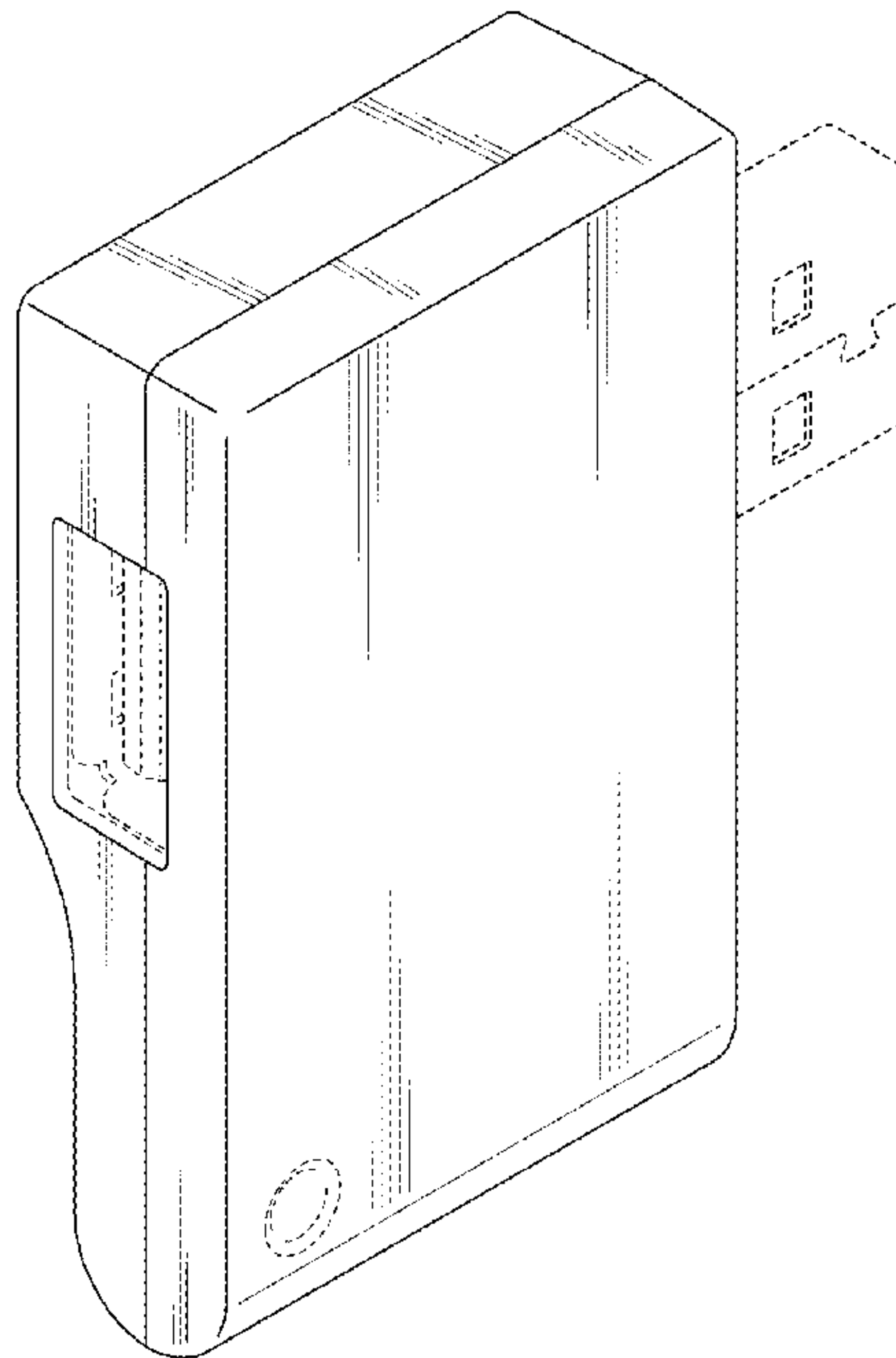


Fig. 1

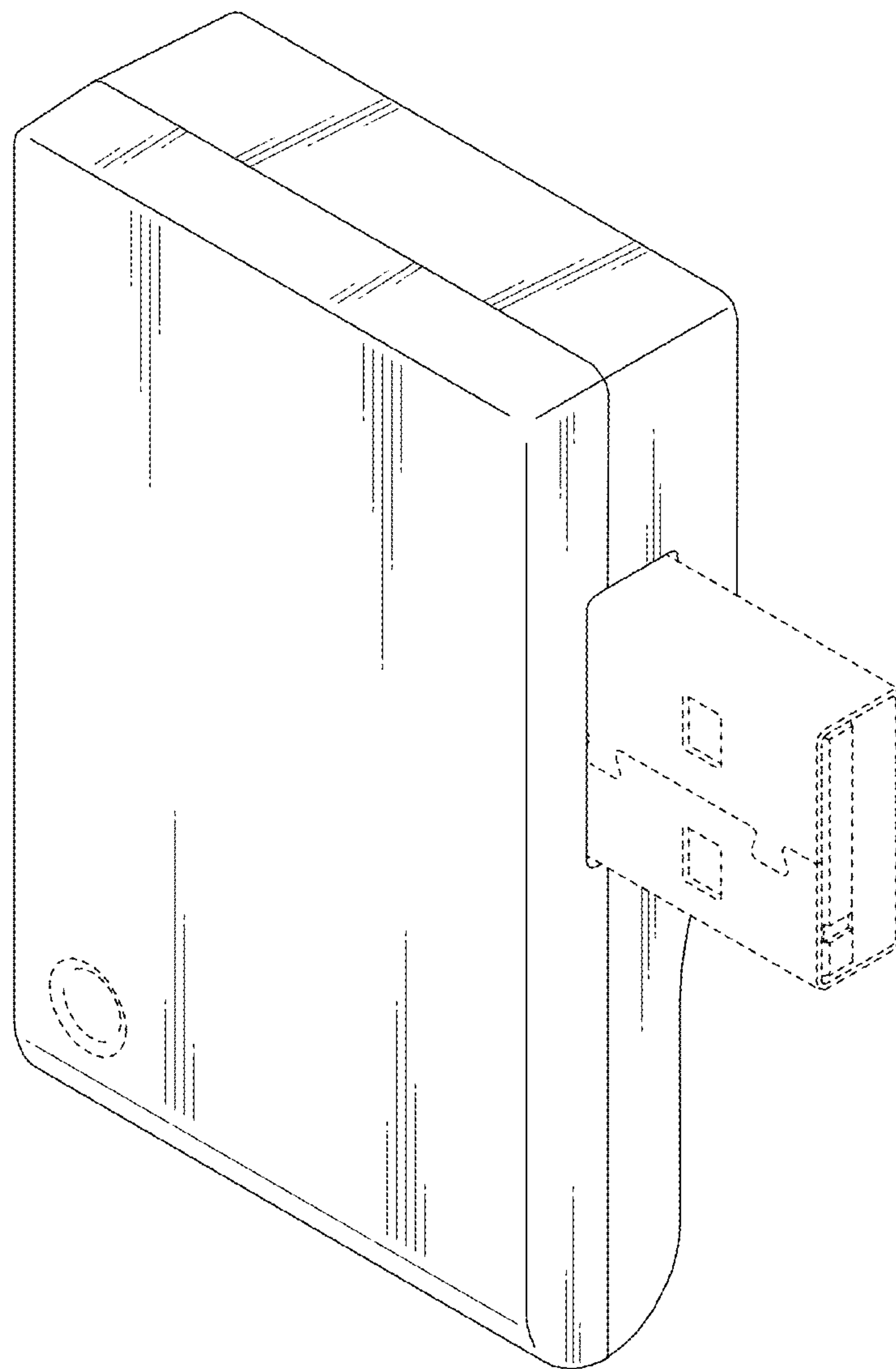


Fig. 2

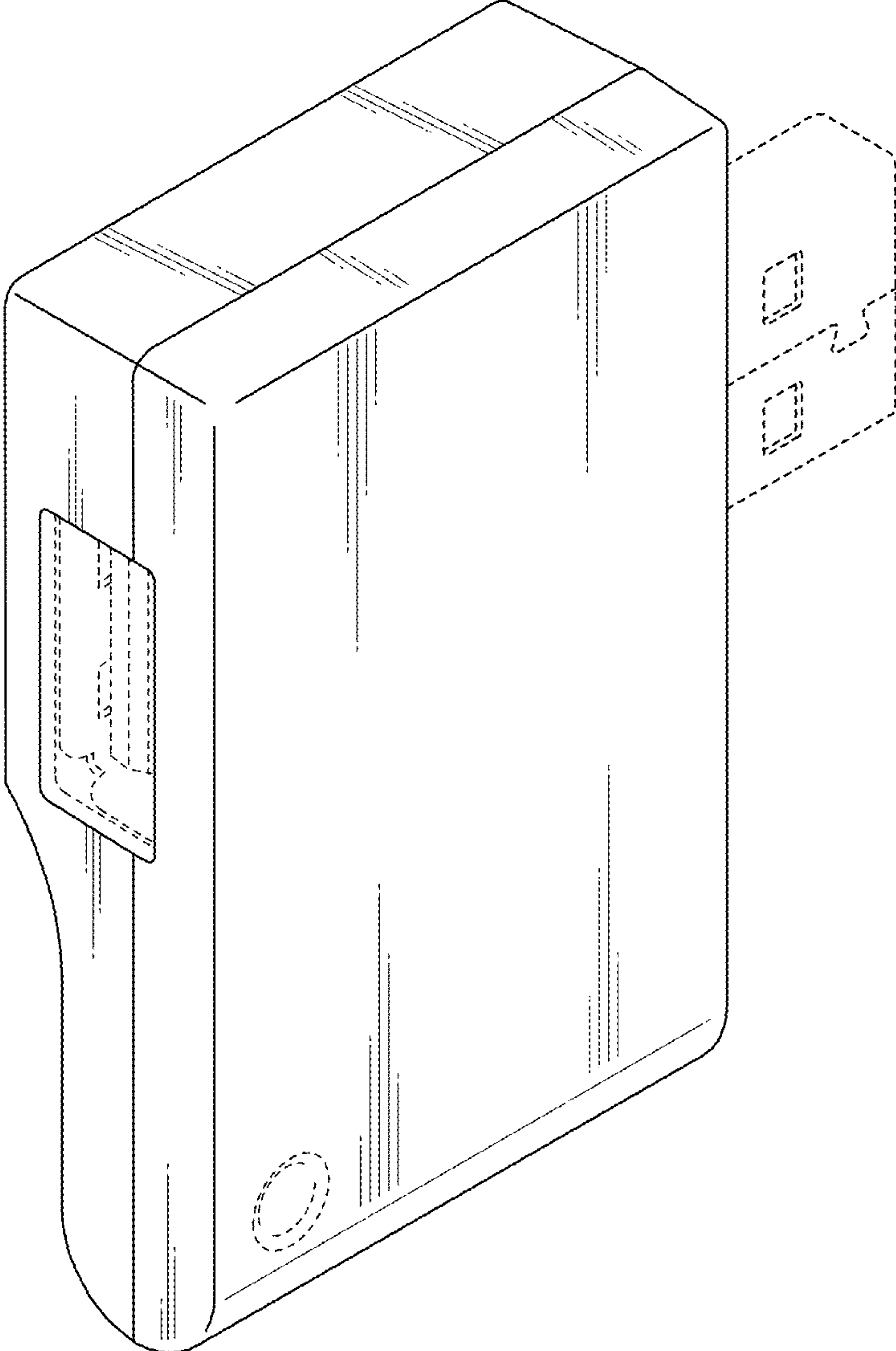


Fig. 3

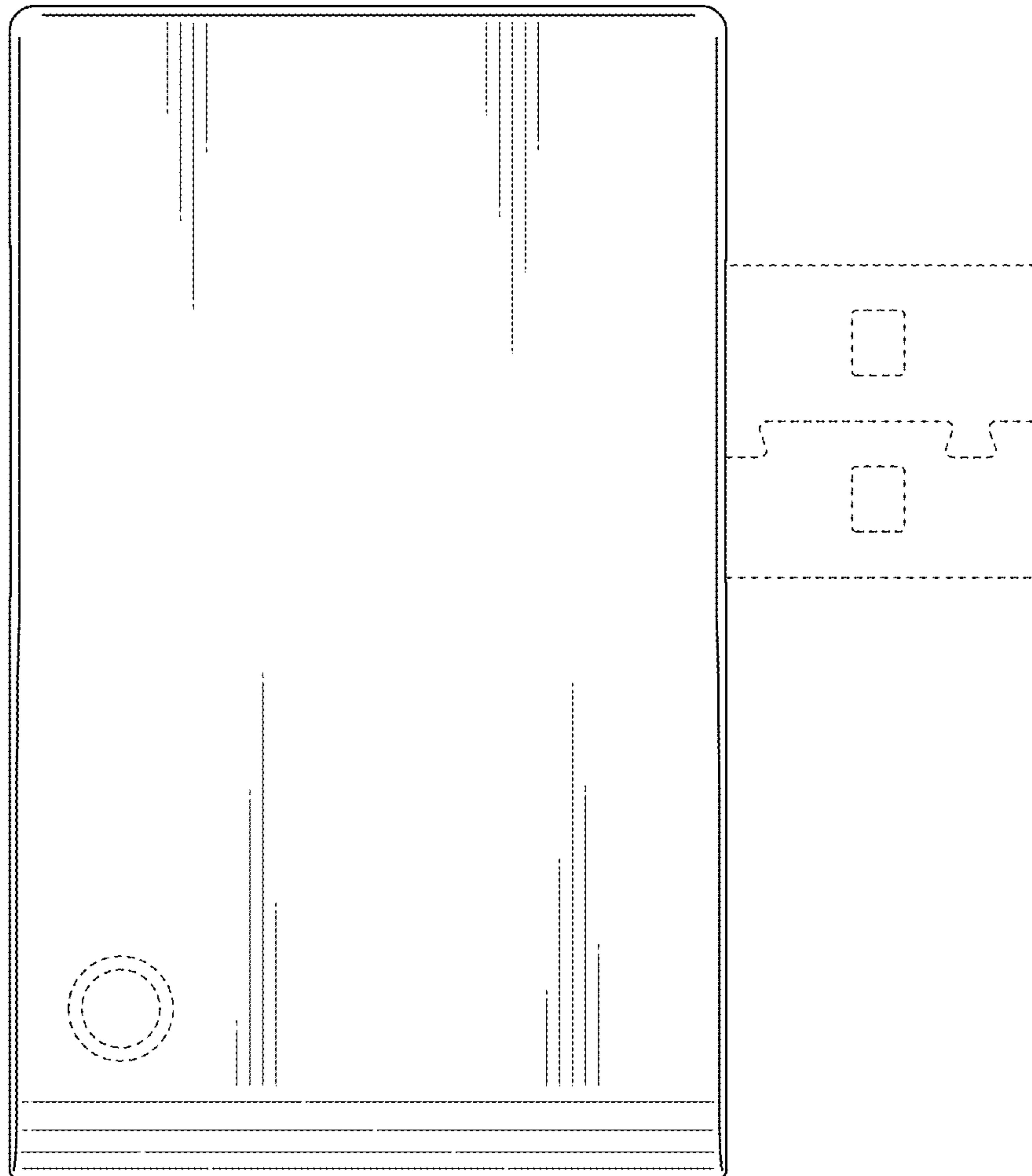


Fig. 4

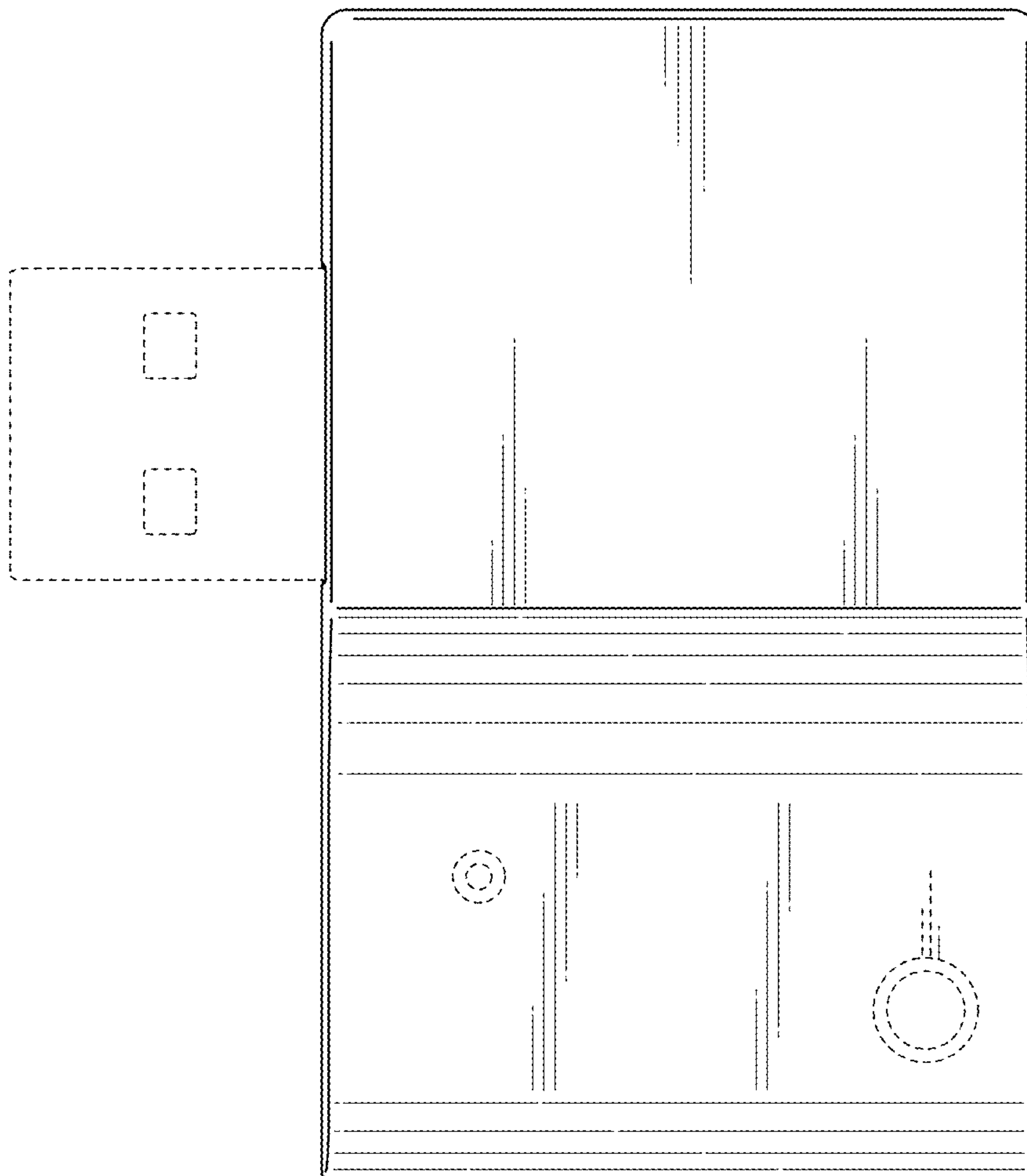


Fig. 5

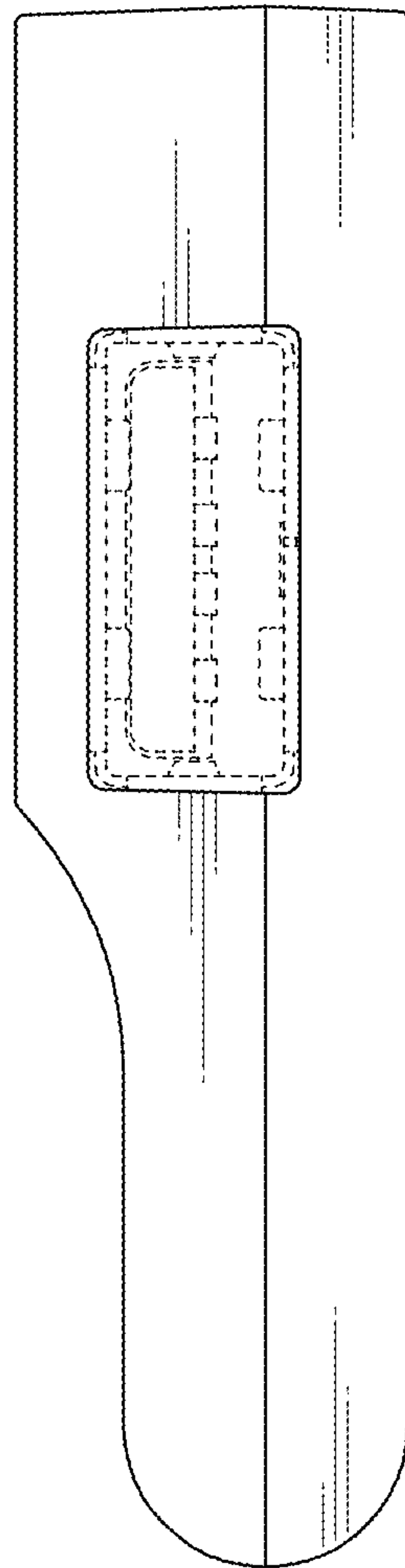


Fig. 6

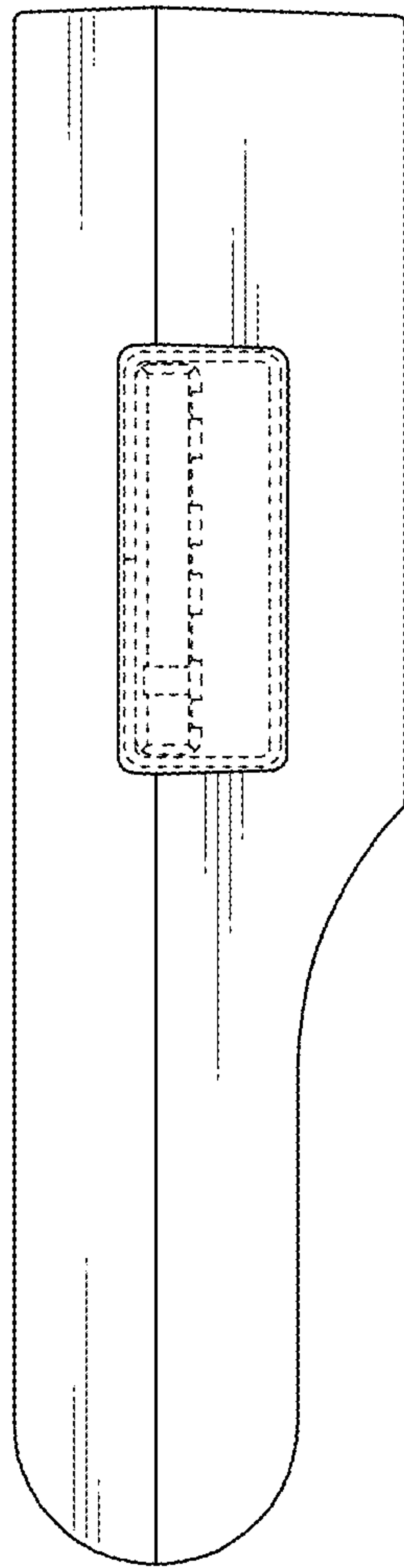


Fig. 7

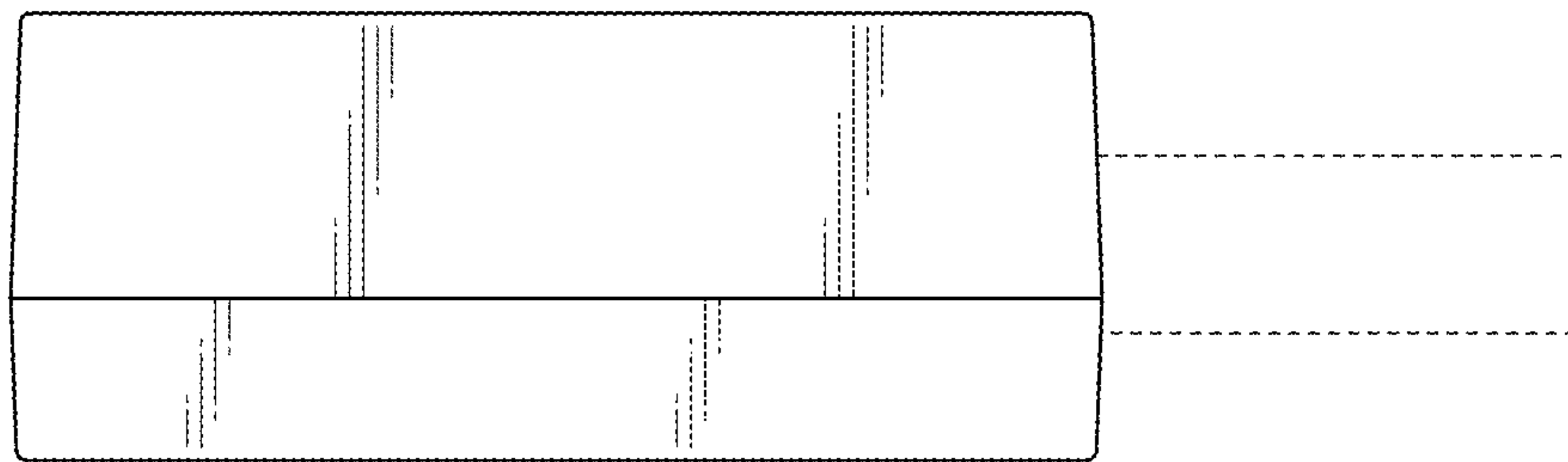


Fig. 8

