



US00D816607S

(12) **United States Design Patent** (10) **Patent No.:** **US D816,607 S**
Roberts (45) **Date of Patent:** **** May 1, 2018**

(54) **PORTABLE POWER BANK**
(71) Applicant: **James Roberts**, St Martin (JE)
(72) Inventor: **James Roberts**, St Martin (JE)
(73) Assignee: **Flashbay Electronics Hong Kong Limited**, Hong Kong (HK)
(**) Term: **15 Years**
(21) Appl. No.: **29/588,481**
(22) Filed: **Dec. 21, 2016**
(51) **LOC (11) Cl.** **13-02**
(52) **U.S. Cl.**
USPC **D13/108**; D13/103
(58) **Field of Classification Search**
USPC D13/102-110, 188-119, 184, 199;
D14/356, 432; D9/549
CPC Y02E 60/10; Y02E 60/12; Y02E 60/122;
Y02E 60/124; Y02E 60/50; H01M 2/02;
H01M 2/022; H01M 2/0202; H01M
2/0207; H01M 2/0212; H01M 2/1061;
H01M 2/1022; H01M 2/1055; H01M
2/1066; H01M 2/105; H01M 2/20; H01M
2/202; H01M 2/204; H01M 2/206; H01M
10/44; H01M 10/46; H01M 10/465;
H01M 10/482; H01M 2200/30; H01M
2250/30; H01M 2250/40; H02J 7/00;
H02J 7/0003; H02J 7/0011; H02J 7/0013;
H02J 7/0054; H02J 7/0055; H02J 7/0057;
H02J 2007/0062
See application file for complete search history.

(56) **References Cited**
U.S. PATENT DOCUMENTS
D598,374 S * 8/2009 Sasada D13/108
D668,913 S * 10/2012 Mayer D7/510
D678,187 S * 3/2013 Huang D13/103
D705,719 S * 5/2014 Wong D13/103

D730,282 S * 5/2015 Miller D13/103
D749,506 S * 2/2016 Morgan D13/108
D750,017 S * 2/2016 Miller D13/108
D760,645 S * 7/2016 Chen D13/103
D763,790 S * 8/2016 Lei D13/108
D768,068 S * 10/2016 Chen D13/103
D789,372 S * 6/2017 Trishaun D14/433
2014/0140048 A1 * 5/2014 Miller H02J 7/0027
362/183
2016/0056648 A1 * 2/2016 Dowd H02J 7/0042
320/107

OTHER PUBLICATIONS

Square Water Bottle, Uncommon Goods, review posted on Apr. 3, 2013, retrieved on Jul. 28, 2017, retrieved from the Internet URL: <https://www.uncommongoods.com/product/square-water-bottle>.
Realmax 2600mAh Power Bank Portable, Realmax, date first available on amazon.co.uk Feb. 24, 2016, retrieved on Jul. 28, 2017, retrieved from the Internet URL: https://www.amazon.co.uk/REALMAX-Portable-External-Technology-Blackberry/dp/B01C57I6Q0/ref=sr_1_24?ie=UTF8&qid=1501261097&sr=8-24&keywords=square+portable+power+b.

* cited by examiner

Primary Examiner — Rosemary K Tarcza
Assistant Examiner — Alison M Ofstun

(57) **CLAIM**
The ornamental design for a portable power bank, as shown and described.

DESCRIPTION

FIG. 1 is a top view of a portable power bank, showing my new design, the bottom side being a mirror image thereof; FIG. 2 is a front view thereof, the rear being a mirror image thereof; FIG. 3 is a left side view thereof; FIG. 4 is a right side view thereof; FIG. 5 is a top left perspective view thereof; and, FIG. 6 is a top right perspective view thereof.

1 Claim, 2 Drawing Sheets

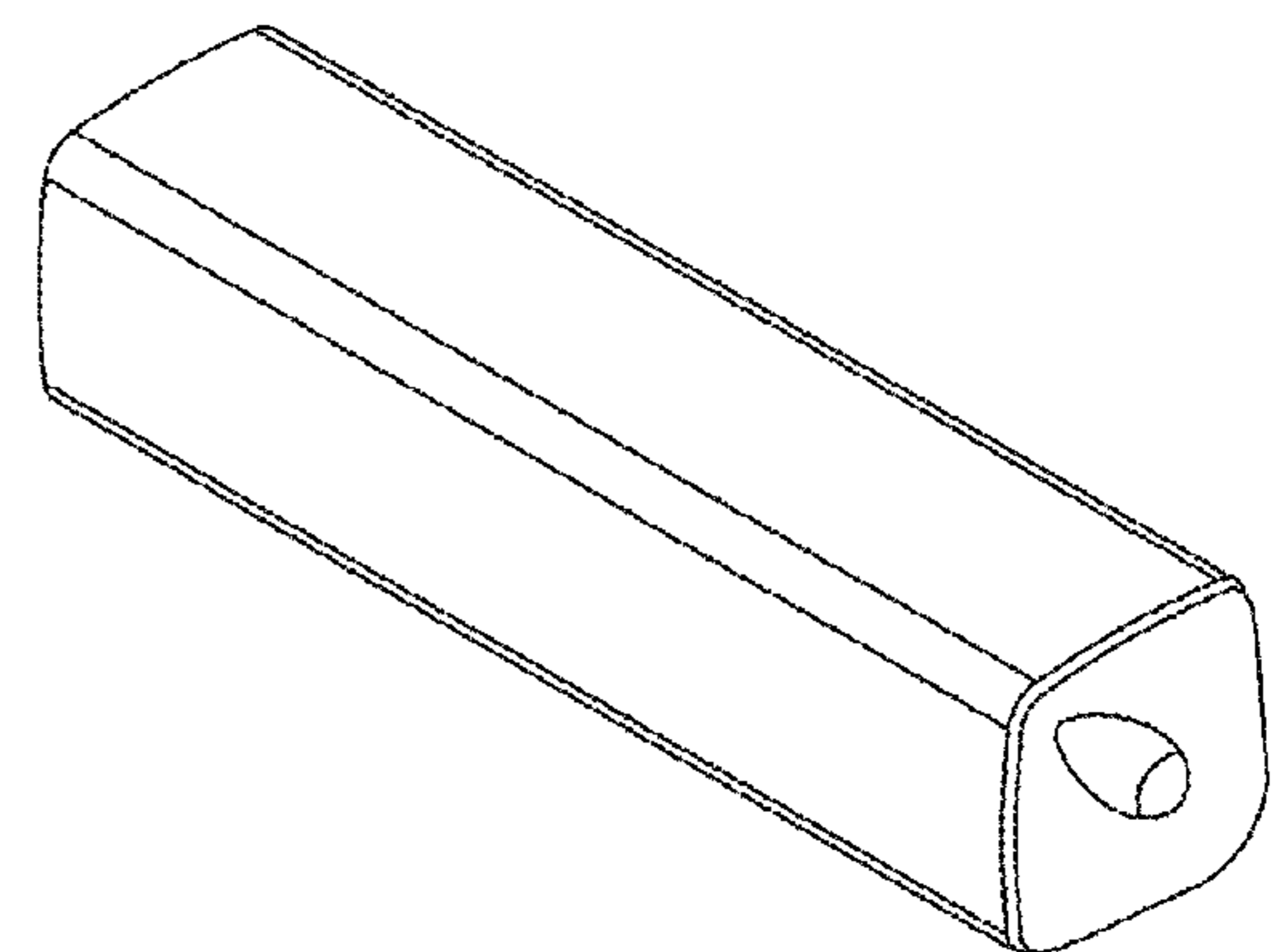
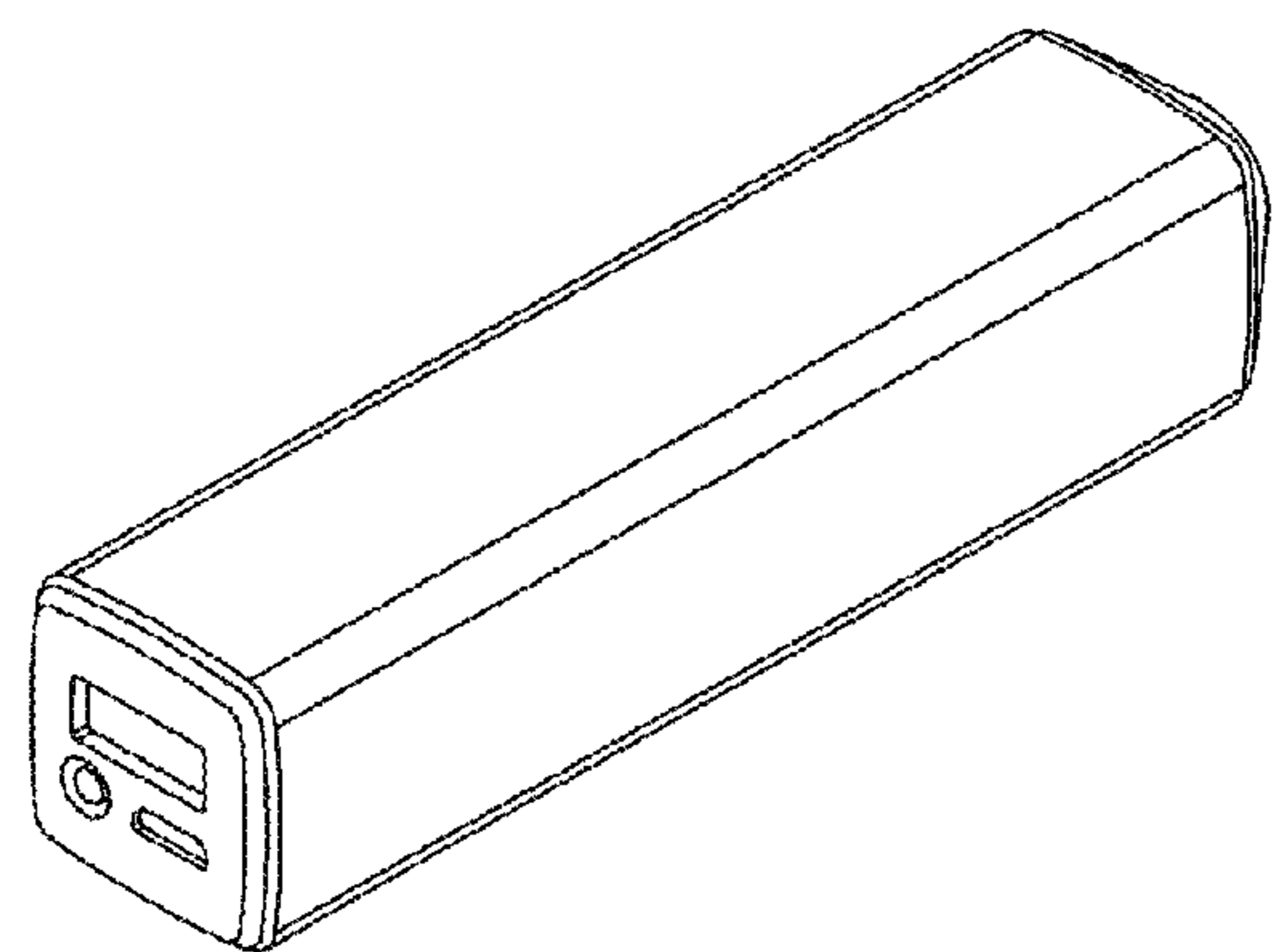


FIG.1

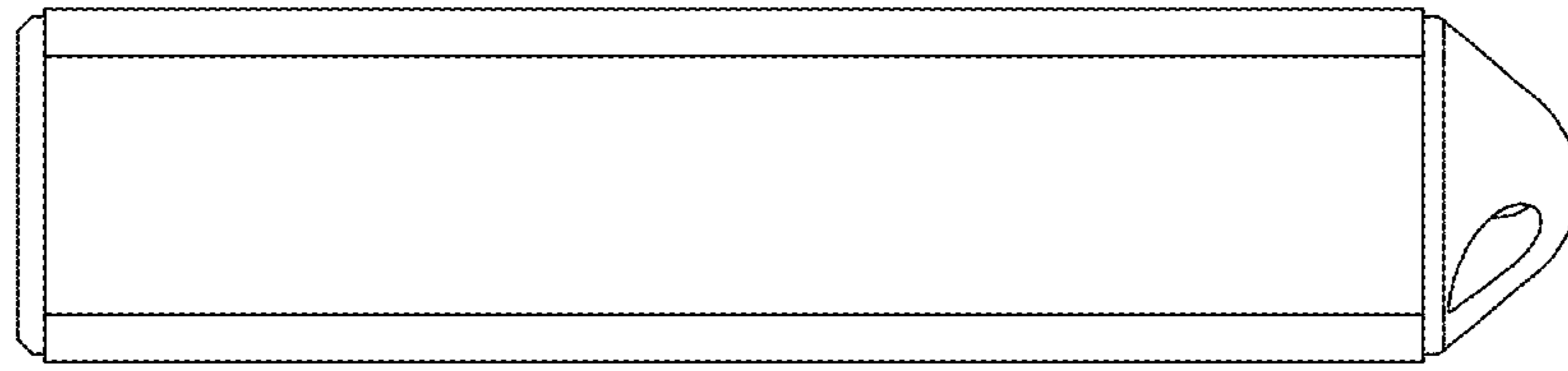


FIG.2

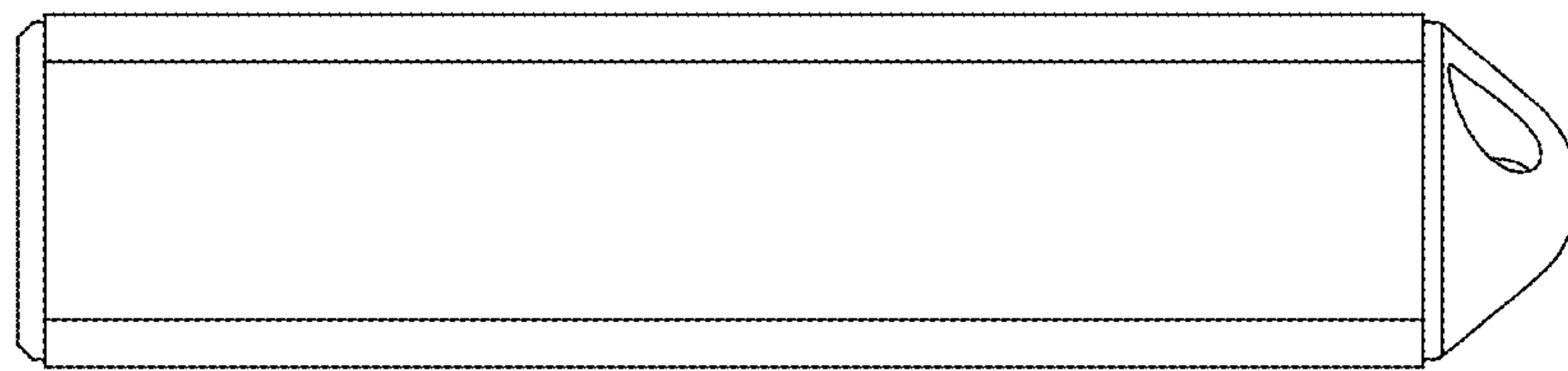


FIG.3

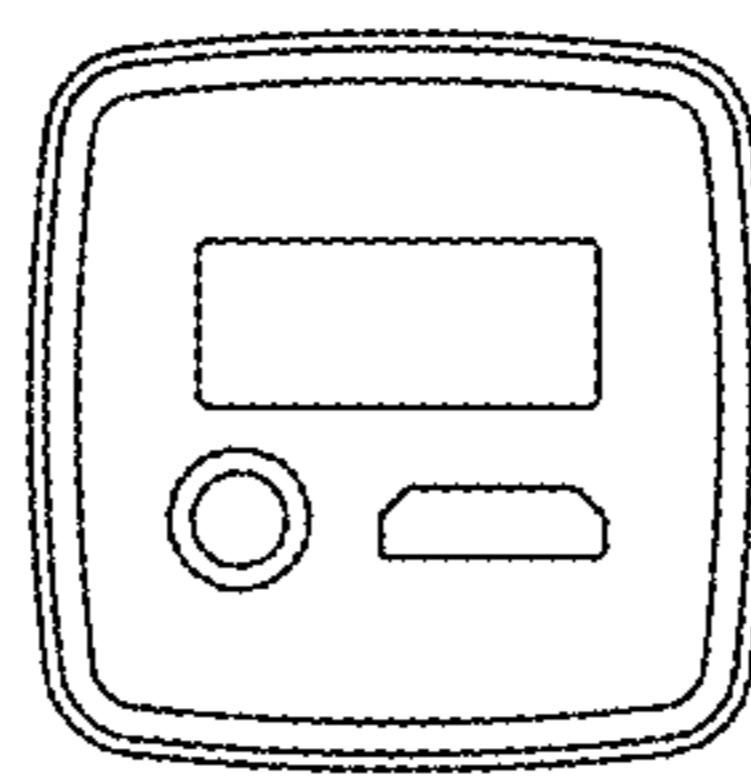


FIG.4

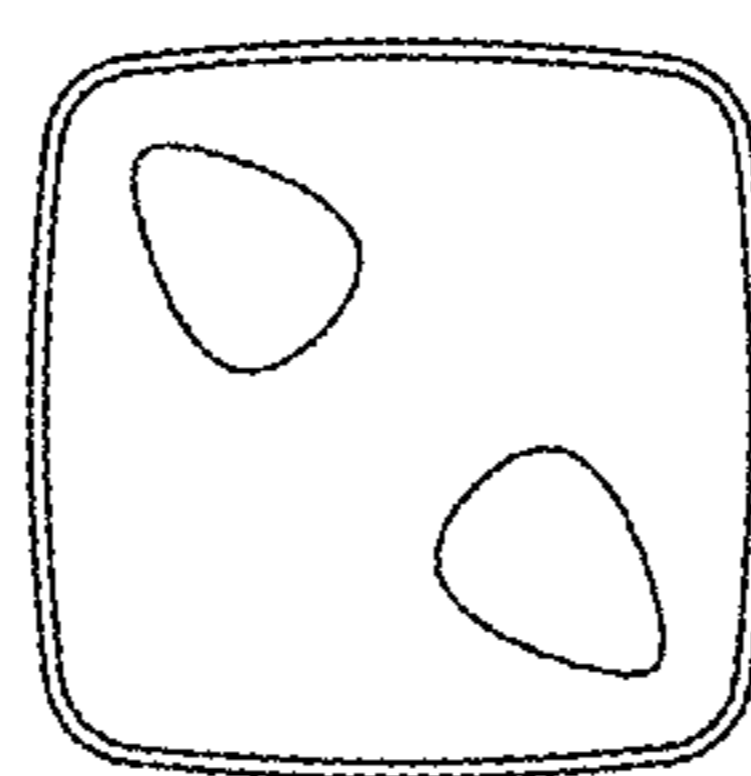


FIG. 5

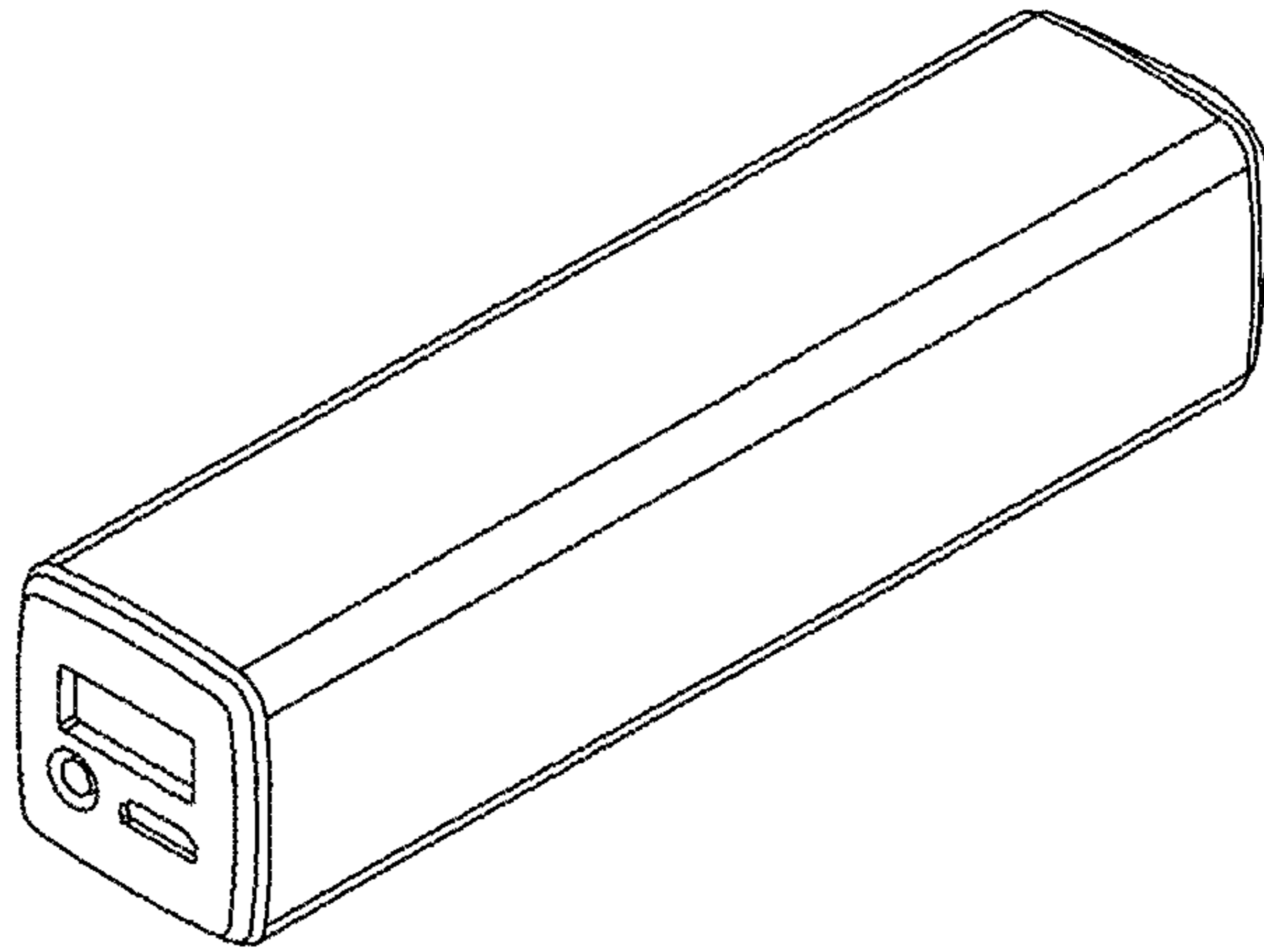


FIG. 6

