



US00D816600S

(12) **United States Design Patent** (10) **Patent No.:** **US D816,600 S**  
**Matsumoto** (45) **Date of Patent:** **\*\* May 1, 2018**

(54) **SPIKE PIN FOR AUTOMOBILE TIRE**  
(71) Applicant: **THE YOKOHAMA RUBBER CO., LTD.**, Minato-ku, Tokyo (JP)  
(72) Inventor: **Kenichi Matsumoto**, Hiratsuka (JP)  
(73) Assignee: **THE YOKOHAMA RUBBER CO., LTD.**, Minato-ku, Tokyo (JP)

(\*\*) Term: **15 Years**  
(21) Appl. No.: **29/569,167**  
(22) Filed: **Jun. 24, 2016**

(30) **Foreign Application Priority Data**  
Dec. 25, 2015 (JP) ..... 2015-028891  
(51) **LOC (11) Cl.** ..... **12-15**  
(52) **U.S. Cl.**  
USPC ..... **D12/608**  
(58) **Field of Classification Search**  
USPC ..... D12/500, 501, 544, 579, 604-608;  
152/210-212, 243; 156/144; 301/41.1,  
301/42, 43, 44.3; 305/19, 187, 189, 191  
CPC ..... B60C 27/08; B60C 11/16; B60C 11/165;  
B60C 11/1625; B60C 11/1637; B60C  
11/1643; B60C 11/1656; B60C 11/1675;  
B60C 11/1693  
See application file for complete search history.

(56) **References Cited**  
**U.S. PATENT DOCUMENTS**  
D431,215 S \* 9/2000 Nyblom ..... D12/608  
D550,611 S \* 9/2007 Liukkula ..... D12/608  
D551,614 S \* 9/2007 Liukkula ..... D12/608  
D559,775 S \* 1/2008 Liukkula ..... D12/608  
D584,979 S \* 1/2009 Pirhonen ..... D12/608  
D608,233 S \* 1/2010 Pirhonen ..... D12/608  
D609,127 S \* 2/2010 Pirhonen ..... D12/608

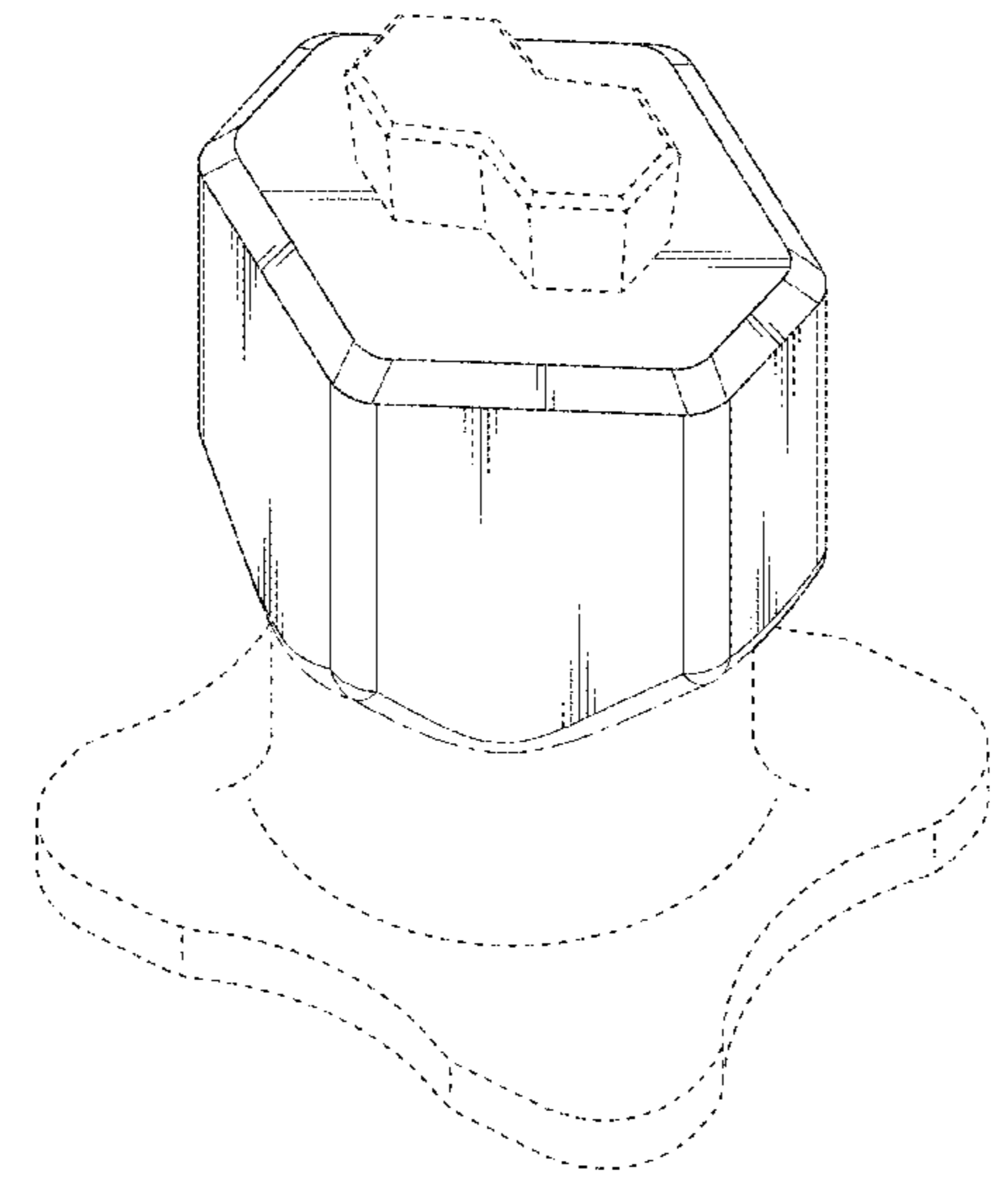
D706,709 S \* 6/2014 Matsumoto ..... D12/608  
D708,567 S \* 7/2014 Matsumoto ..... D12/608  
D774,449 S \* 12/2016 Matsumoto ..... D12/608  
D775,585 S \* 1/2017 Matsumoto ..... D12/608  
D775,586 S \* 1/2017 Matsumoto ..... D12/608  
D776,047 S \* 1/2017 Matsumoto ..... D12/608  
D776,048 S \* 1/2017 Matsumoto ..... D12/608  
D776,049 S \* 1/2017 Matsumoto ..... D12/608

(Continued)  
*Primary Examiner* — Wan Laymon  
*Assistant Examiner* — Clint A Samuel  
(74) *Attorney, Agent, or Firm* — Banner & Witcoff, Ltd.

(57) **CLAIM**  
The ornamental design for a spike pin for automobile tire, as shown and described.

**DESCRIPTION**  
FIG. 1 is a perspective view of a spike pin for an automobile tire showing my new design;  
FIG. 2 is a front view thereof;  
FIG. 3 is a right side view thereof;  
FIG. 4 is a top view thereof;  
FIG. 5 is a bottom view thereof;  
FIG. 6 is a cross sectional view taken along lines 6-6 shown in FIG. 2; and,  
FIG. 7 is a cross sectional view taken along lines 7-7 shown in FIG. 3.  
The dash-dot-dashed styled broken lines in FIGS. 6 and 7 represent the internal portion of the spike pin and form no part of the claimed design. The even length broken lines depict environmental subject matter only and form no part of the claimed design. The dot and dashed lines represents a boundary between the claimed portion and the non-claimed portion.  
A rear view appears to be identical to the front view and is omitted. A left side view appears to be identical to the right side view and is omitted. The thin lines shown in the views are for clarifying the shape of the three-dimensional surface.

**1 Claim, 7 Drawing Sheets**



(56)

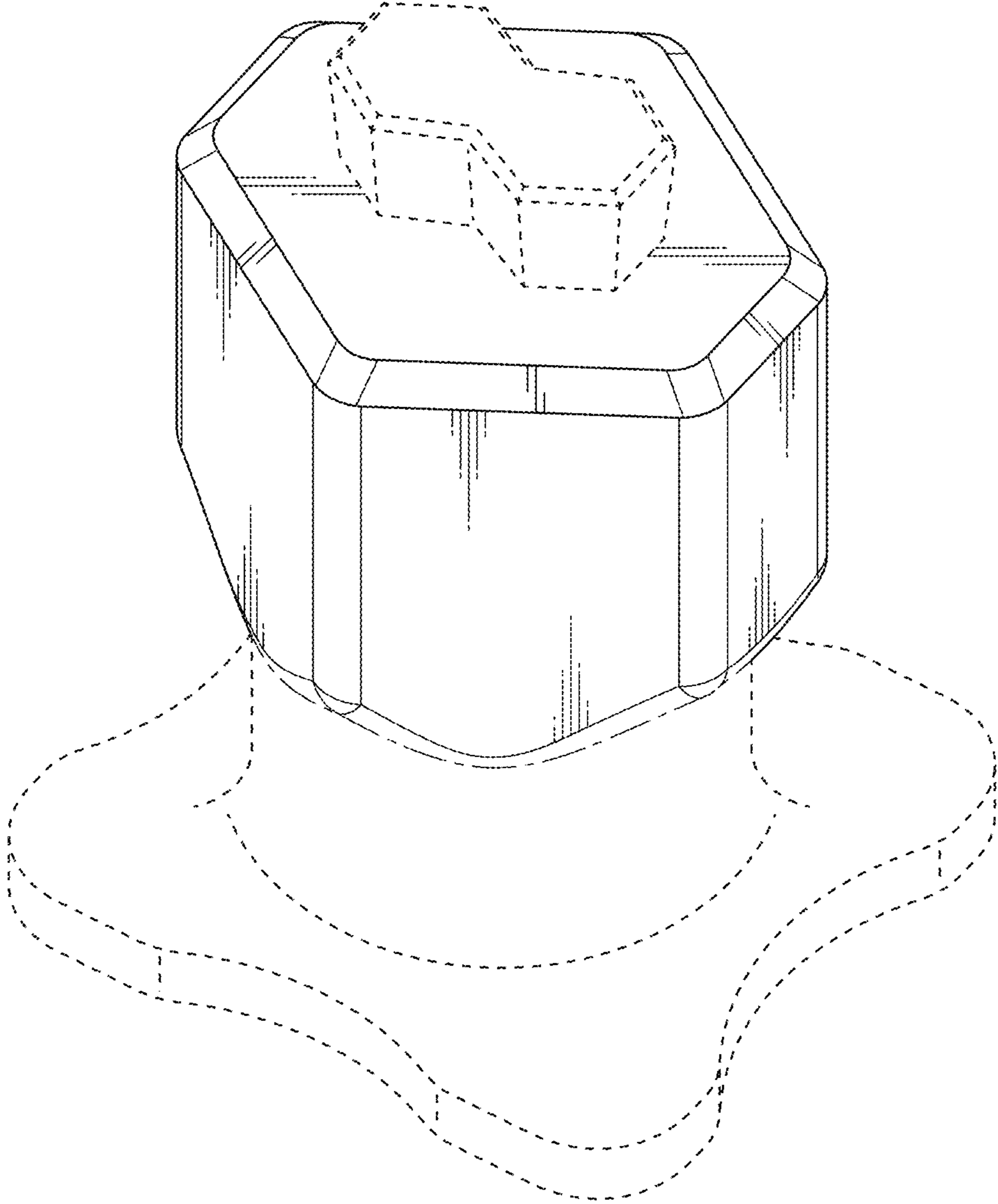
**References Cited**

U.S. PATENT DOCUMENTS

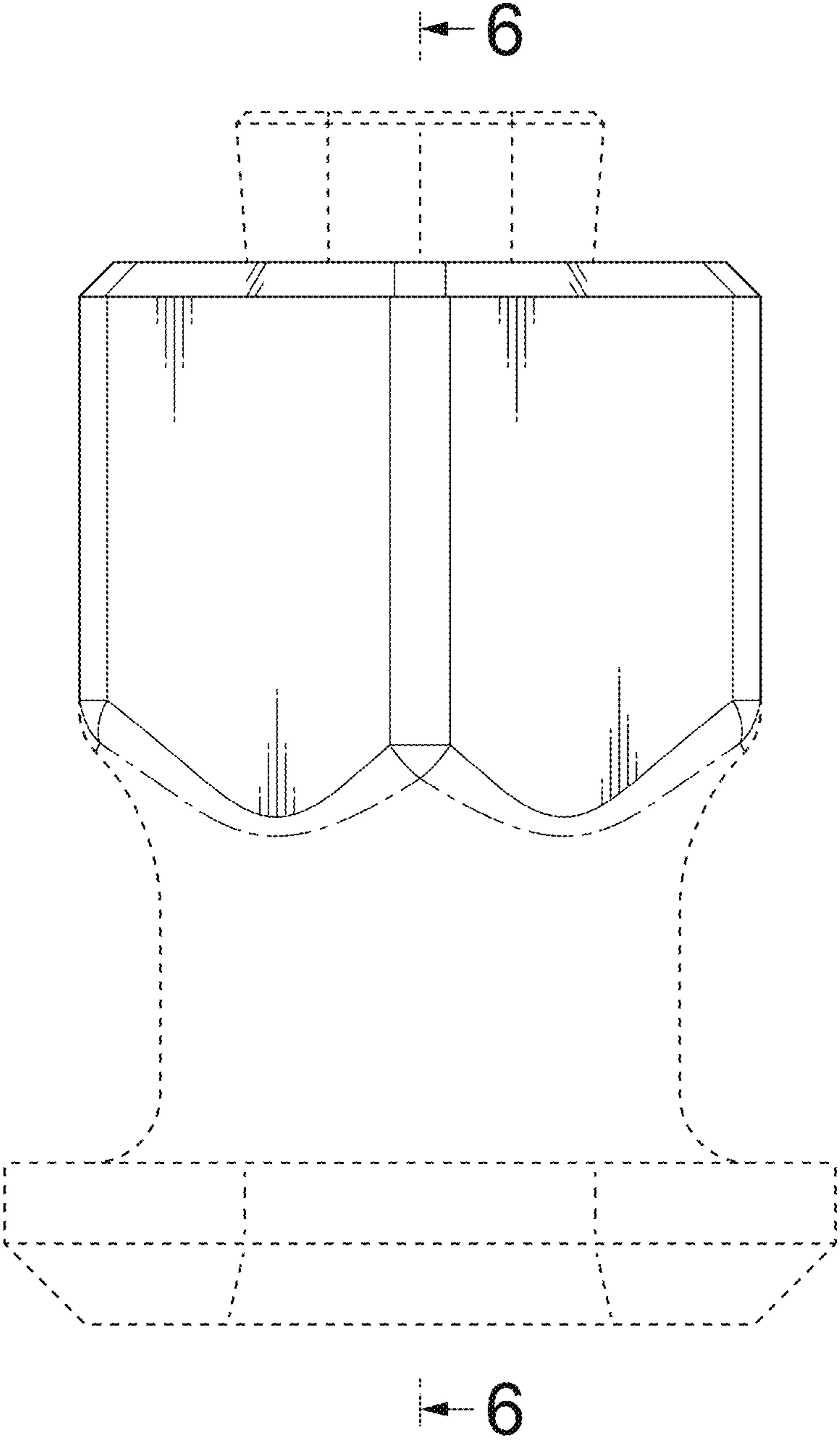
D777,097	S *	1/2017	Matsumoto .....	D12/608
D790,448	S *	6/2017	Yoon .....	D12/605
D790,449	S *	6/2017	Yoon .....	D12/605
D792,841	S *	7/2017	Yoon .....	D12/605
2004/0079461	A1 *	4/2004	Salakari .....	B60C 11/165 152/210
2013/0000807	A1 *	1/2013	Pons .....	B60C 11/1643 152/210

\* cited by examiner

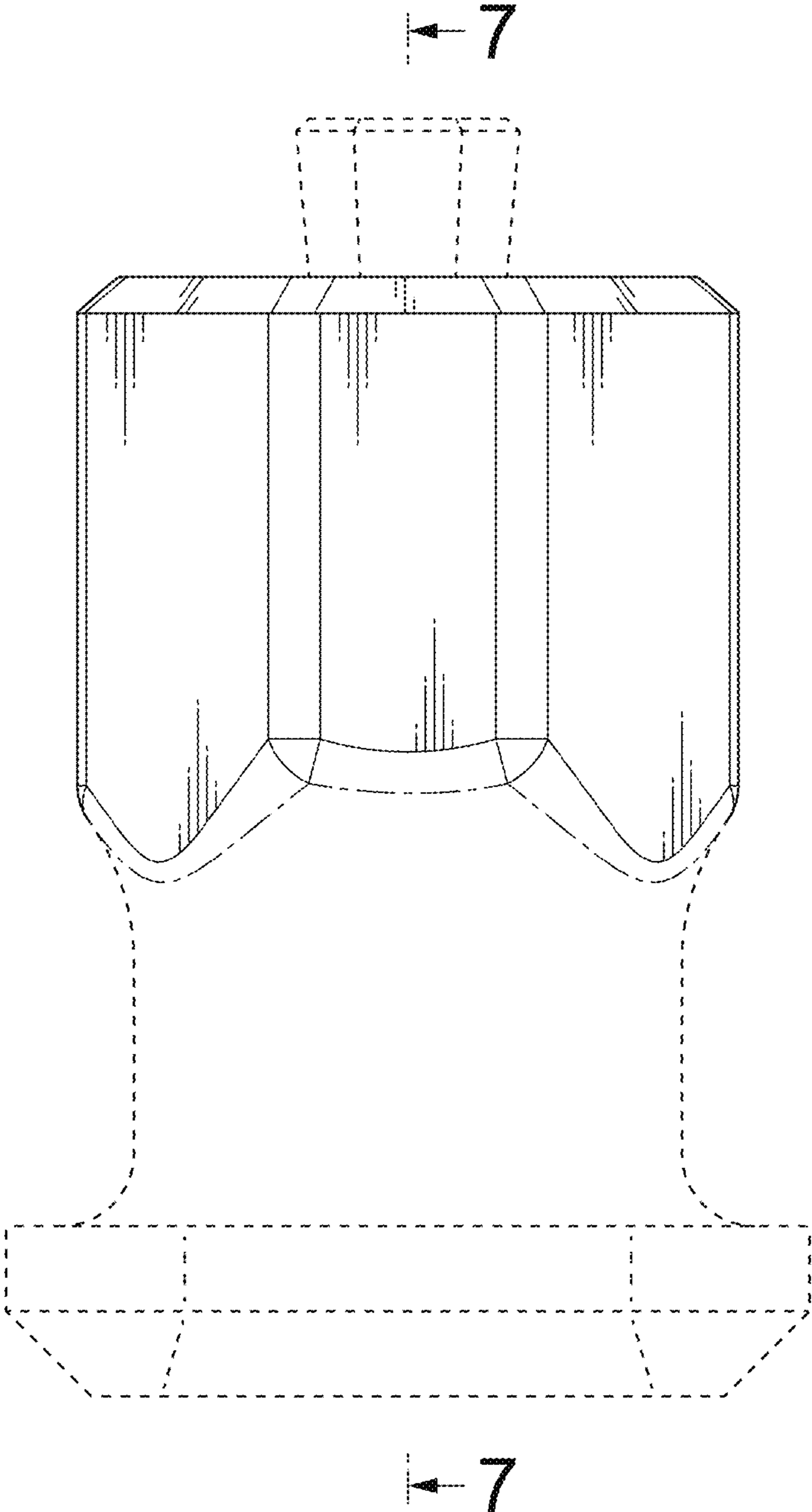
**FIG. 1**



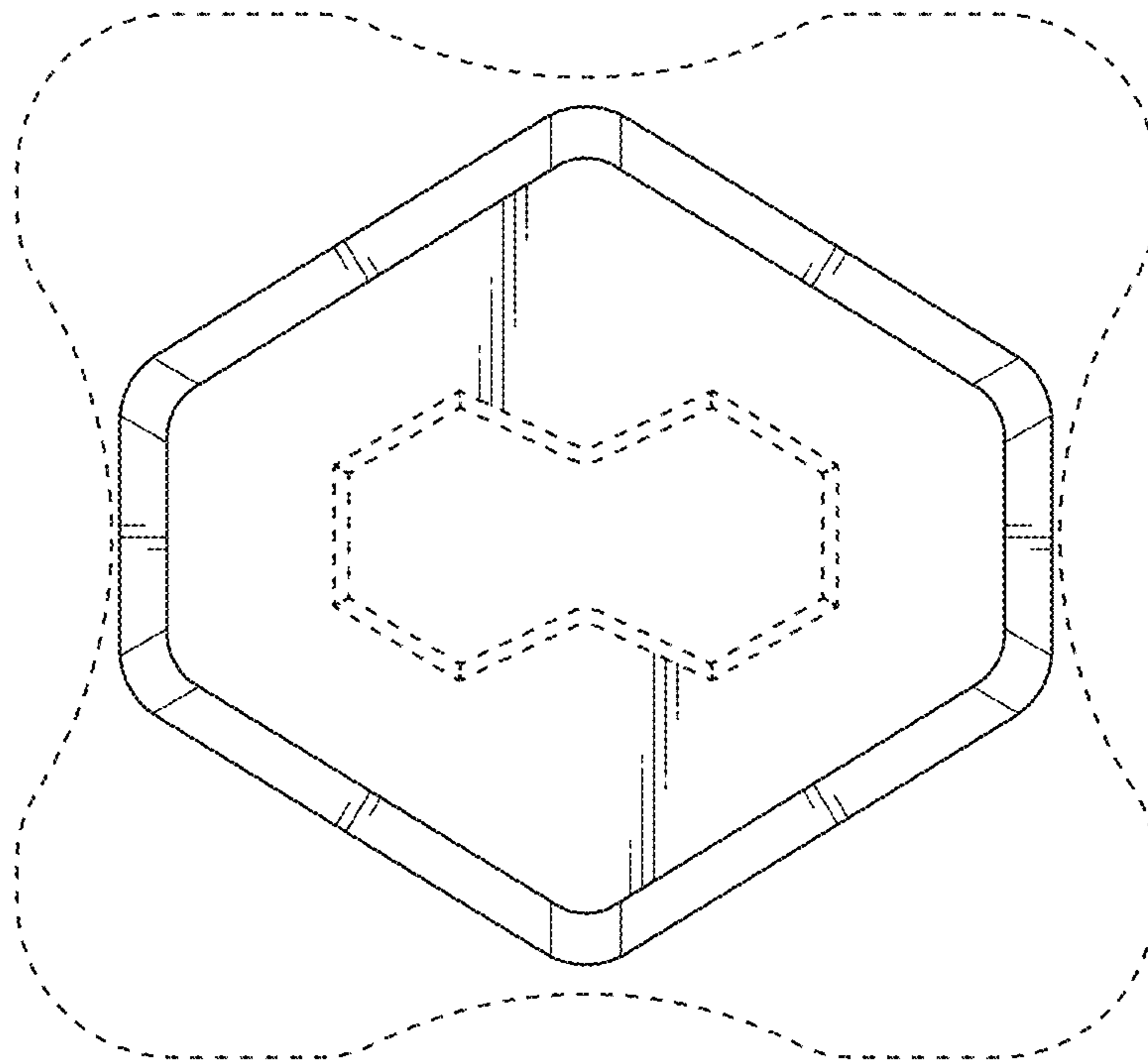
**FIG. 2**



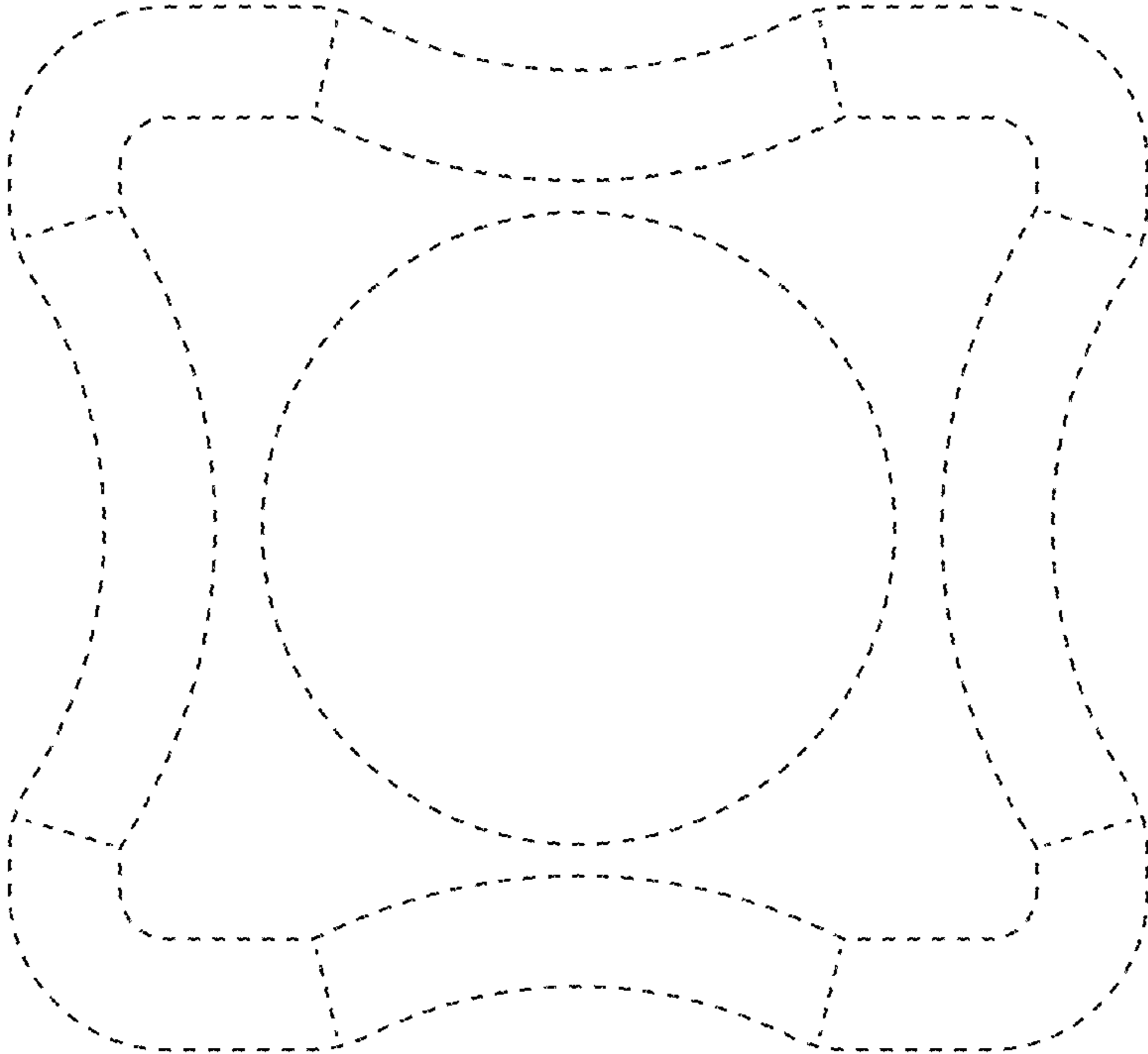
**FIG. 3**



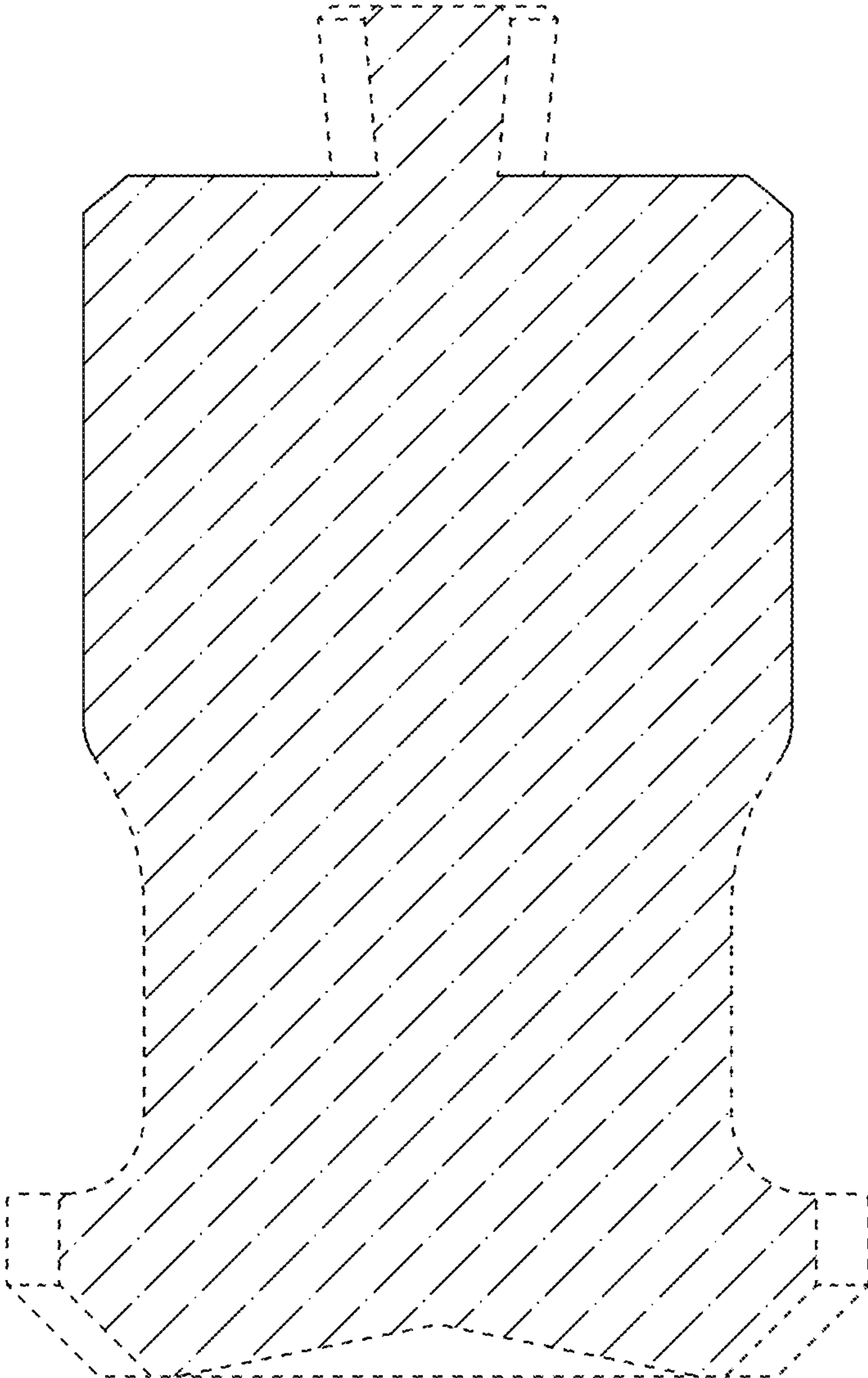
**FIG. 4**



**FIG. 5**



**FIG. 6**





**FIG. 7**

