



US00D816599S

(12) **United States Design Patent**
Dixon et al.

(10) **Patent No.:** **US D816,599 S**

(45) **Date of Patent:** **** May 1, 2018**

- (54) **TIRE**
- (71) Applicant: **The Goodyear Tire & Rubber Company**, Akron, OH (US)
- (72) Inventors: **Max Harold Dixon**, Kent, OH (US);
Robert John Hermann, Cuyahoga Falls, OH (US)
- (73) Assignee: **The Goodyear Tire & Rubber Company**, Akron, OH (US)
- (**) Term: **15 Years**
- (21) Appl. No.: **29/595,434**
- (22) Filed: **Feb. 28, 2017**
- (51) **LOC (11) Cl.** **12-15**
- (52) **U.S. Cl.**
USPC **D12/603**
- (58) **Field of Classification Search**
USPC D12/575, 579, 596, 597, 602, 603
CPC B60C 11/0306; B60C 11/11; B60C 2011/0344
See application file for complete search history.

- D626,912 S * 11/2010 Fujita D12/583
- D627,707 S 11/2010 Le et al. D12/566
- D627,713 S 11/2010 Le et al. D12/600
- D637,152 S 5/2011 Maus et al. D12/602
- D647,470 S 10/2011 Bachtel et al. D12/600
- D660,223 S 5/2012 Dixon et al. D12/600
- D674,739 S 1/2013 Gerard et al. D12/586

(Continued)

Primary Examiner — Robert M. Spear

(74) *Attorney, Agent, or Firm* — Robert N. Lipsik

(57) **CLAIM**

The ornamental design for a tire, as shown and described.

DESCRIPTION

FIG. 1 is a perspective view of a tire showing our new design, it being understood that the pattern repeats uniformly throughout the circumference of the tread;

FIG. 2 is a front elevational view thereof;

FIG. 3 is a right side elevational view thereof; the left side elevational view being identical thereto;

FIG. 4 is an enlarged fragmentary front elevational view thereof;

FIG. 5 is a perspective view of a second embodiment of a tire showing our new design, it being understood that the interior of the tire forms no part of the claim, that the pattern repeats uniformly throughout the circumference of the tread and that the opposite side view is identical thereto; and,

FIG. 6 is a front elevational view of a second embodiment, it being understood that an enlarged fragmentary view thereof would be substantially identical to that shown in FIG. 4, with the exception of the inclusion of the sidewall in solid lines.

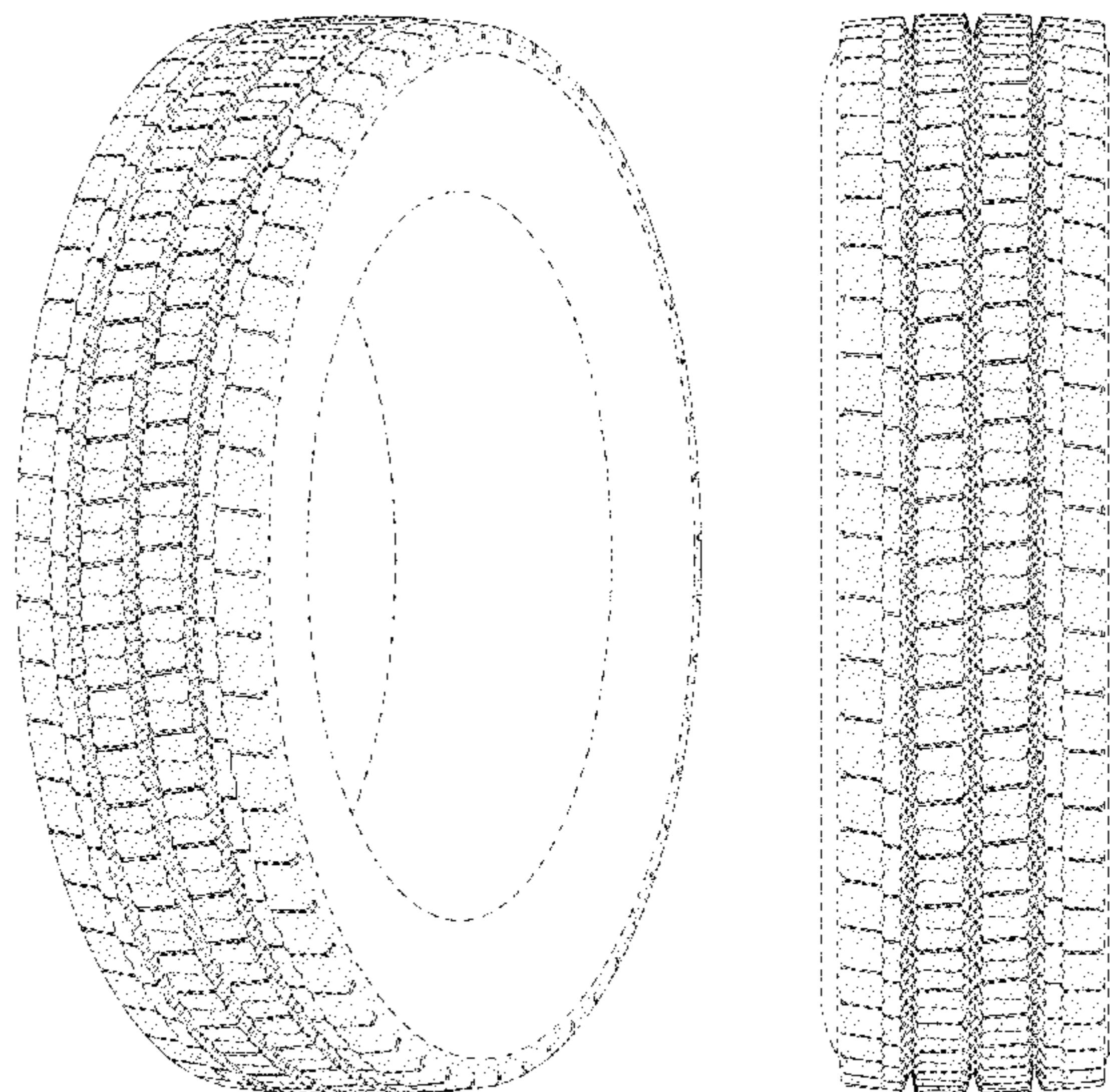
In the drawings, the broken lines immediately adjacent to the outer edges of the tire shoulder represent boundaries of the claim, and the broken lines depict environmental subject matter only and form no part of the claimed design.

(56) **References Cited**

U.S. PATENT DOCUMENTS

- D384,613 S 10/1997 Le et al. D12/146
- D389,788 S * 1/1998 Galante D12/597
- D392,605 S 3/1998 Le et al. D12/146
- D432,960 S * 10/2000 Feider D12/602
- D457,128 S 5/2002 Robert et al. D12/602
- D458,898 S * 6/2002 Shinmura D12/596
- D473,843 S 4/2003 Le et al. D12/600
- D554,055 S 10/2007 Beauguitte et al. D12/600
- D559,170 S * 1/2008 Fukunaga D12/596
- D586,730 S 2/2009 Scheuren et al. D12/553
- D592,590 S 5/2009 Janesh et al. D12/600
- D604,229 S * 11/2009 Le D12/582
- D626,501 S 11/2010 Cazin-Bourguignon et al. D12/600

1 Claim, 6 Drawing Sheets



(56)

References Cited

U.S. PATENT DOCUMENTS

D674,742 S	1/2013	Krier et al.	D12/598
D713,782 S	9/2014	Krier et al.	D12/583
D738,815 S	9/2015	Dixon et al.	D12/594
D744,409 S	12/2015	Krier et al.	D12/583
D754,593 S *	4/2016	Wang	D12/602
D761,194 S *	7/2016	Dixon	D12/600
D761,197 S *	7/2016	Dixon	D12/602
D766,818 S	9/2016	Young et al.	D12/602
D776,608 S	1/2017	Kristen et al.	D12/601
D795,176 S *	8/2017	Farinelle	D12/602
D795,177 S *	8/2017	Dixon	D12/602
D801,262 S *	10/2017	Demaziere	D12/603

* cited by examiner

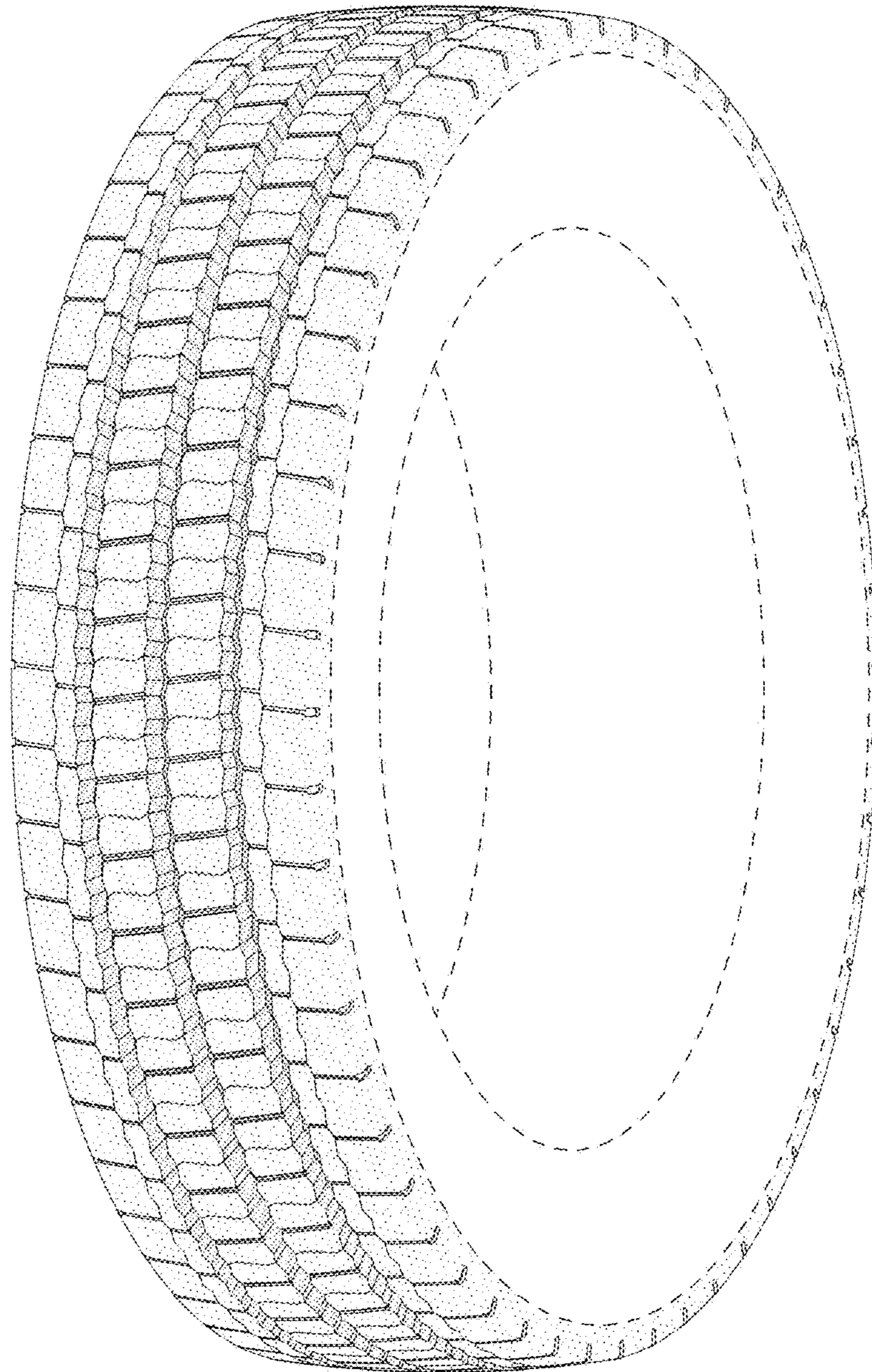


FIG - 1

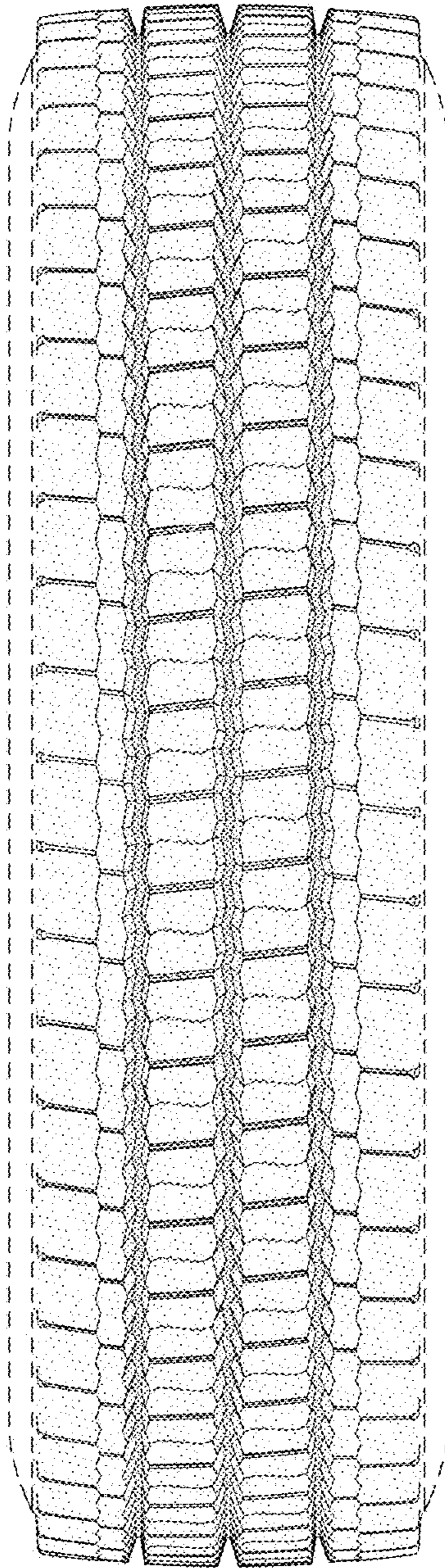


FIG - 2

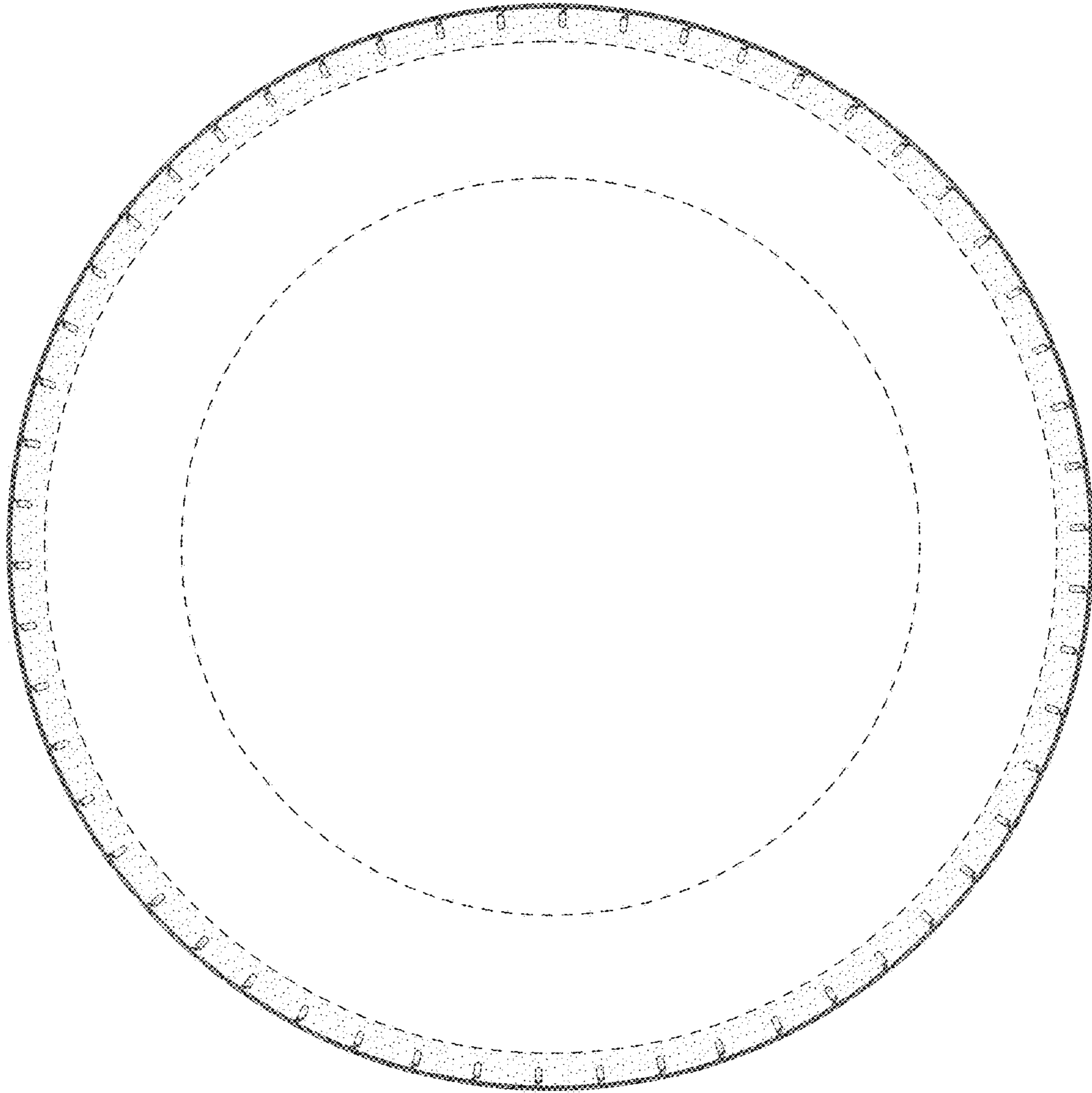


FIG - 3

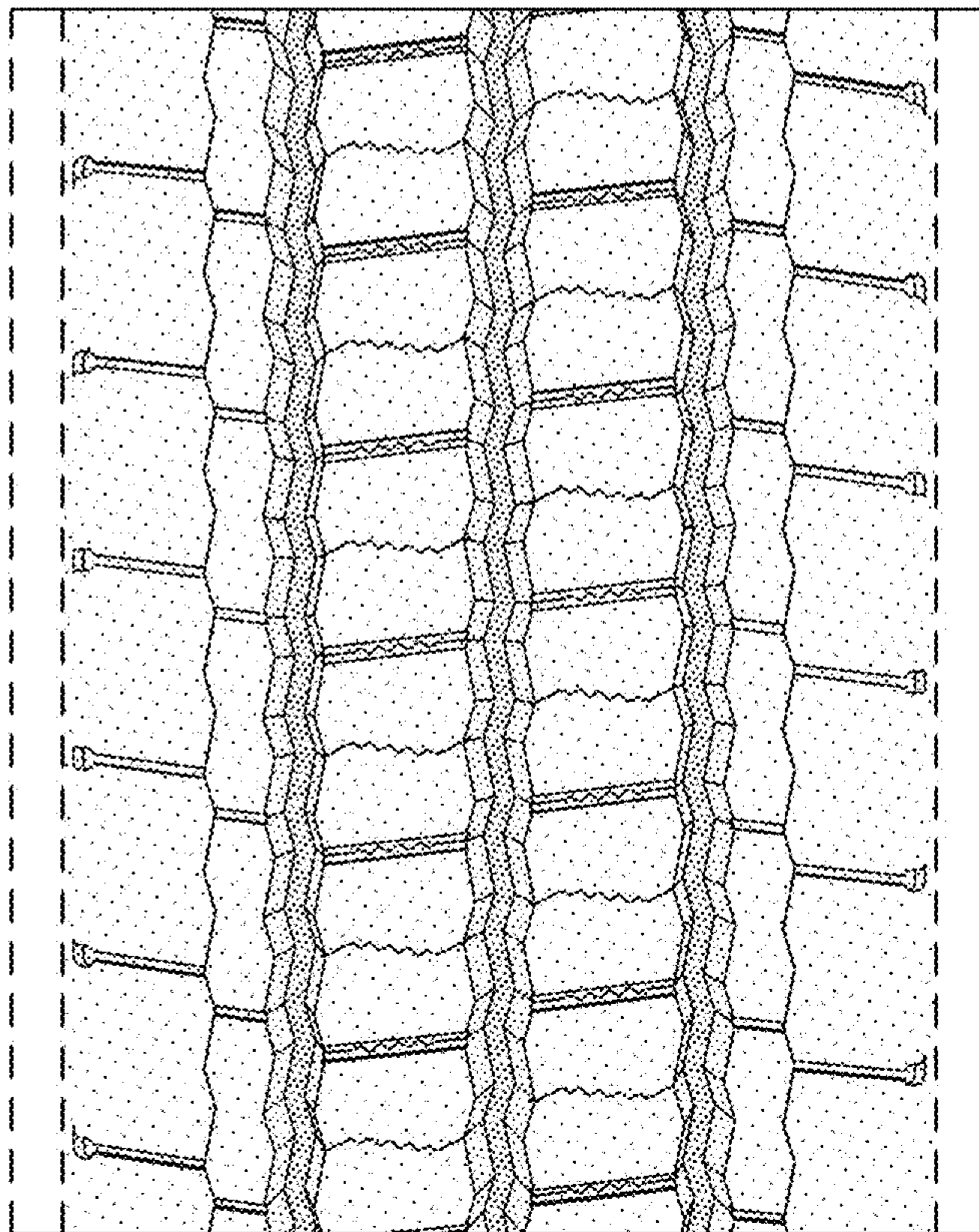


FIG - 4

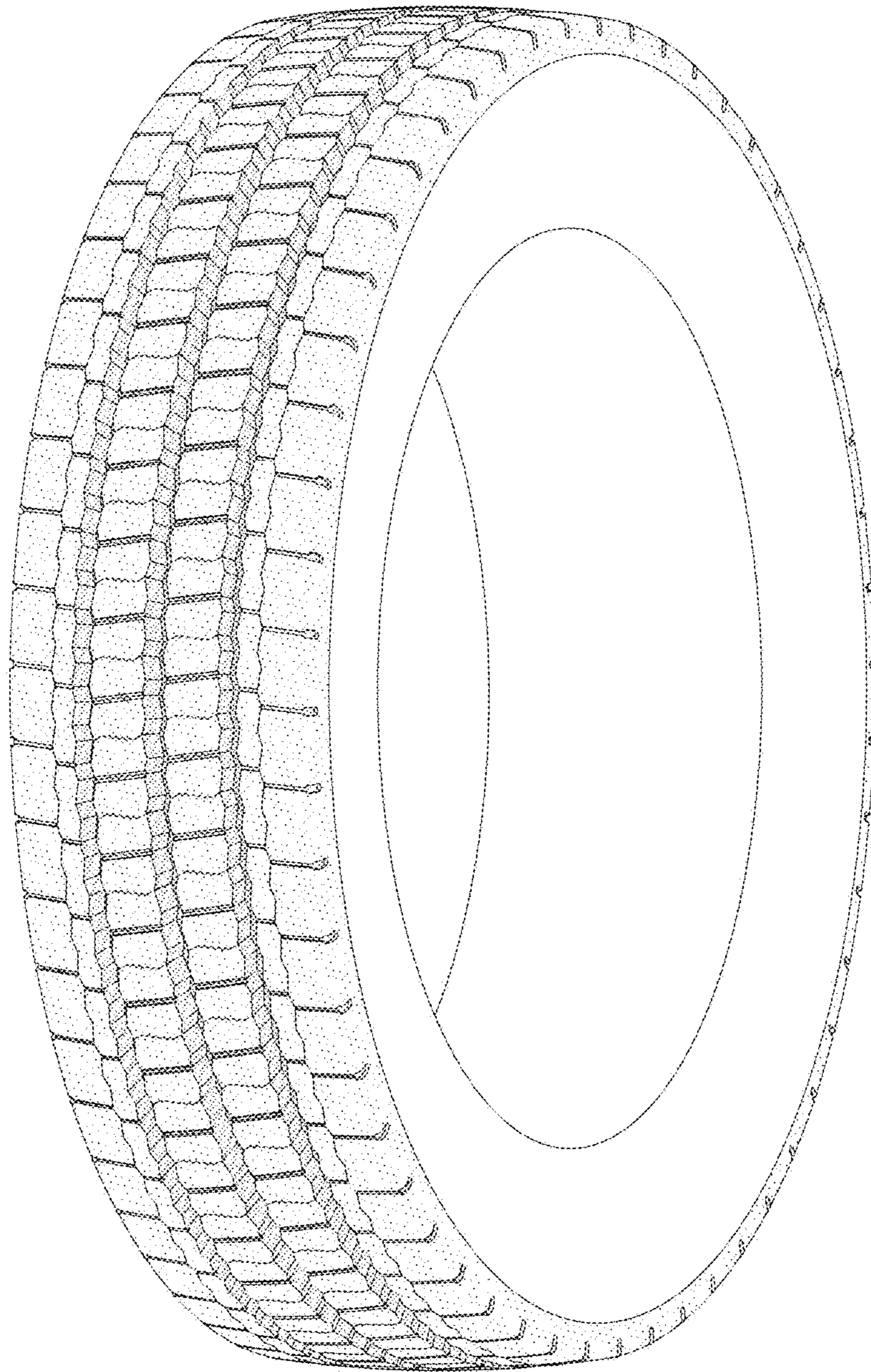


FIG - 5

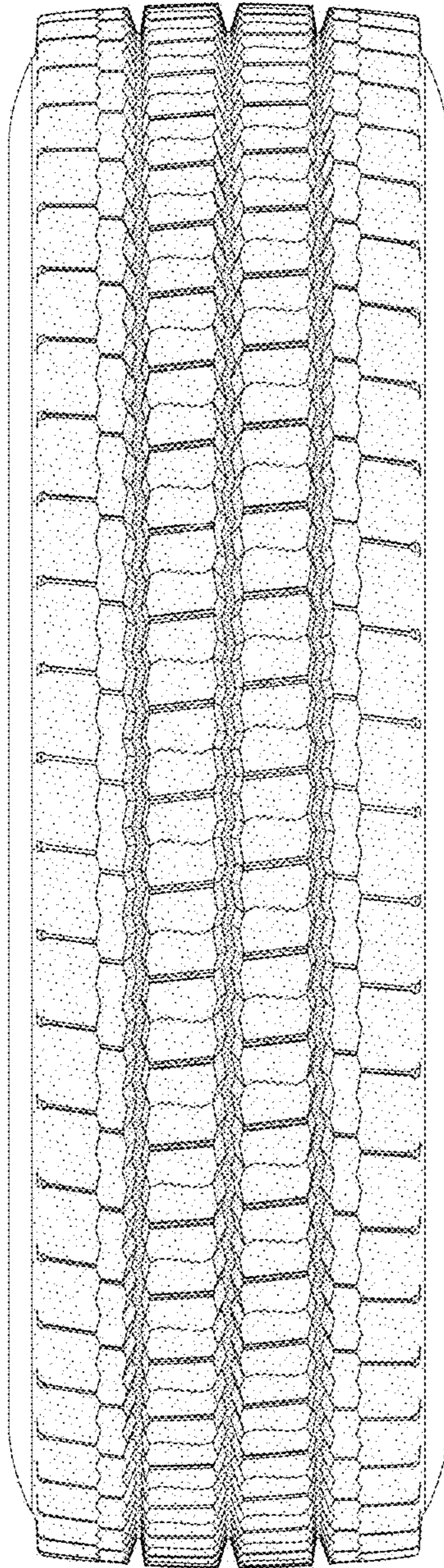


FIG - 6