



US00D816587S

(12) **United States Design Patent**
Perkins

(10) **Patent No.:** **US D816,587 S**

(45) **Date of Patent:** **** May 1, 2018**

- (54) **TOOLBOX**
- (71) Applicant: **James Perkins**, Sudan, NM (US)
- (72) Inventor: **James Perkins**, Sudan, NM (US)
- (**) Term: **15 Years**
- (21) Appl. No.: **29/578,801**
- (22) Filed: **Sep. 23, 2016**

- D755,707 S * 5/2016 Roach D12/414.1
- D766,810 S * 9/2016 Haun D12/414.1
- D770,359 S * 11/2016 Winn D12/414.1
- D771,544 S * 11/2016 Christofferson D12/414.1
- D772,141 S * 11/2016 Christofferson D12/414.1

* cited by examiner

Primary Examiner — Katrina A Betton

(74) *Attorney, Agent, or Firm* — Shannon L Warren

(57) **CLAIM**

The ornamental design for a toolbox, as shown.

Related U.S. Application Data

- (63) Continuation-in-part of application No. 13/772,322, filed on Feb. 20, 2013, now abandoned, and a continuation-in-part of application No. 14/951,486, filed on Nov. 24, 2015, now Pat. No. 9,796,077.
- (51) **LOC (11) Cl.** **12-16**
- (52) **U.S. Cl.**
USPC **D12/414.1**
- (58) **Field of Classification Search**
USPC ... D12/414.1, 414, 413, 412, 221, 406, 157,
D12/423, 414.4; D6/552, 317–319,
D6/513–514; D3/304–306; D32/35, 58
CPC B60R 7/02; B60R 9/04; B60R 9/055
See application file for complete search history.

DESCRIPTION

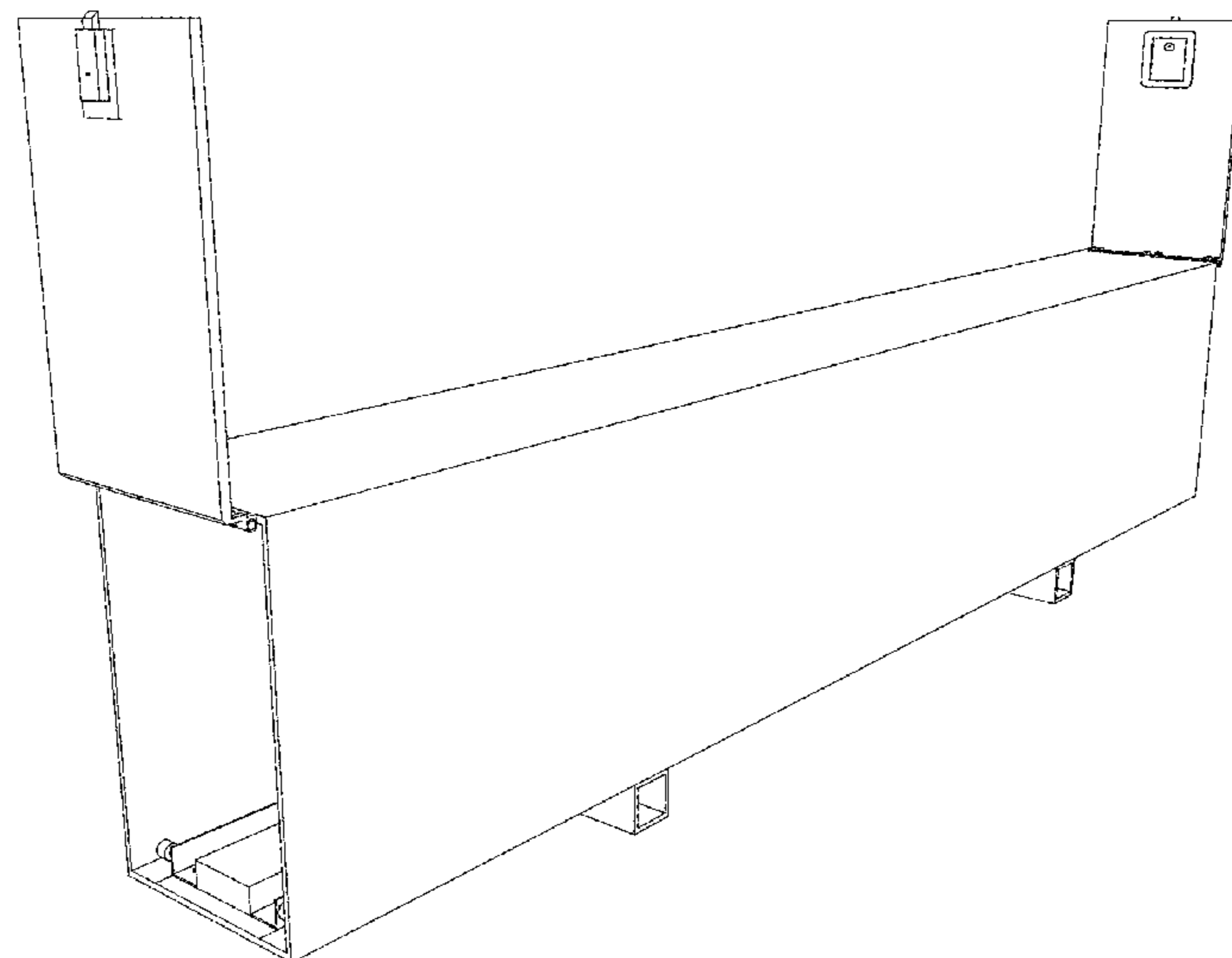
FIG. 1 illustrates a perspective overview view of a toolbox. FIG. 2 illustrates a perspective first side view of a toolbox. FIG. 3 illustrates an elevated front side view of a toolbox. FIG. 4 illustrates an elevated first side view of a toolbox. FIG. 5 illustrates an elevated front side view of a toolbox in a closed configuration. FIG. 6 illustrates an elevated front side view of a toolbox in an open configuration. FIG. 7 illustrates an elevated first side view of a toolbox in an open configuration. FIG. 8 illustrates an elevated first side view of a toolbox in a closed configuration. FIG. 9 illustrates an elevated overview view of a toolbox in an open configuration. FIG. 10 illustrates an elevated overview view of a toolbox in an open configuration with an exemplary tray inside; and, FIG. 11 illustrates an elevated overview view of a toolbox with an exemplary tray and truck in dashed lines. No claim to the dashed line configurations is made by the Applicant.

(56) **References Cited**

U.S. PATENT DOCUMENTS

- D623,121 S * 9/2010 Lewis D12/414.1
- D626,062 S * 10/2010 Giddens D12/414.1
- D658,373 S * 5/2012 Gros D12/414.1
- D713,323 S * 9/2014 Gearner, III D12/414.1
- D720,281 S * 12/2014 Grant D12/414.1
- D720,680 S * 1/2015 Vitoorapakorn D12/414.1

1 Claim, 11 Drawing Sheets



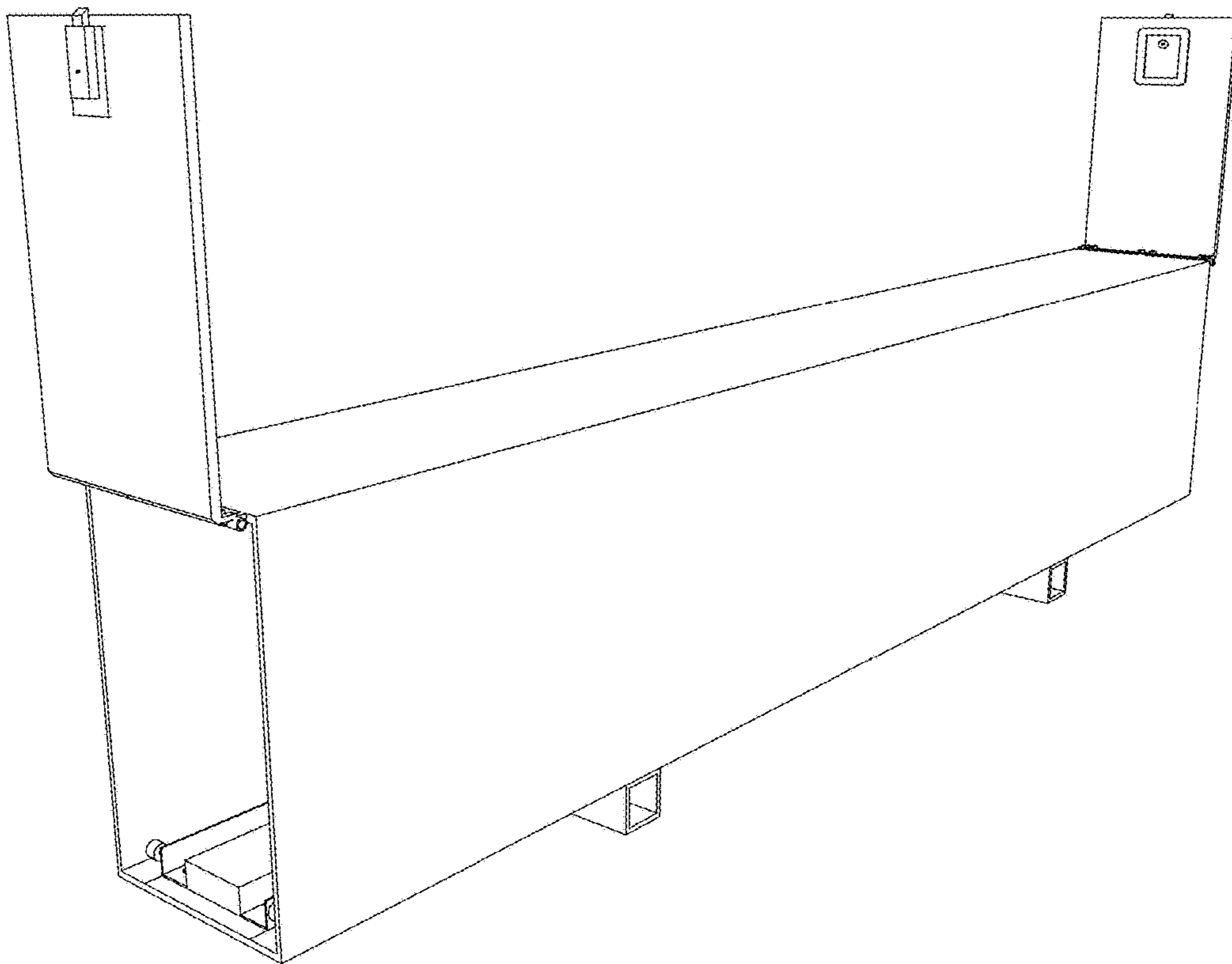


FIG. 1

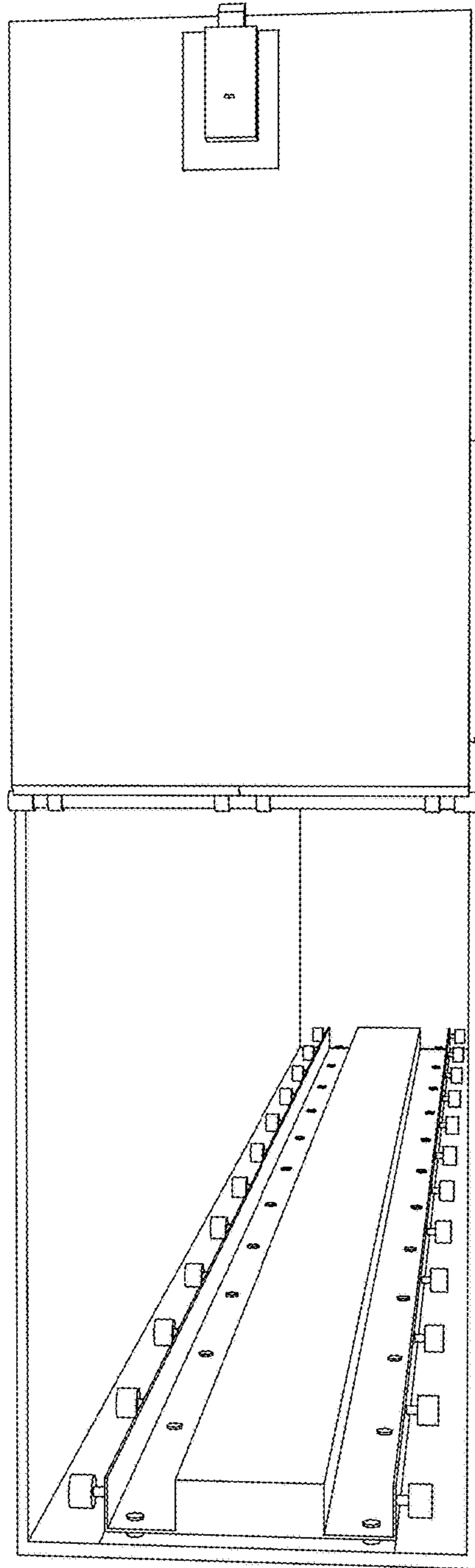


FIG. 2

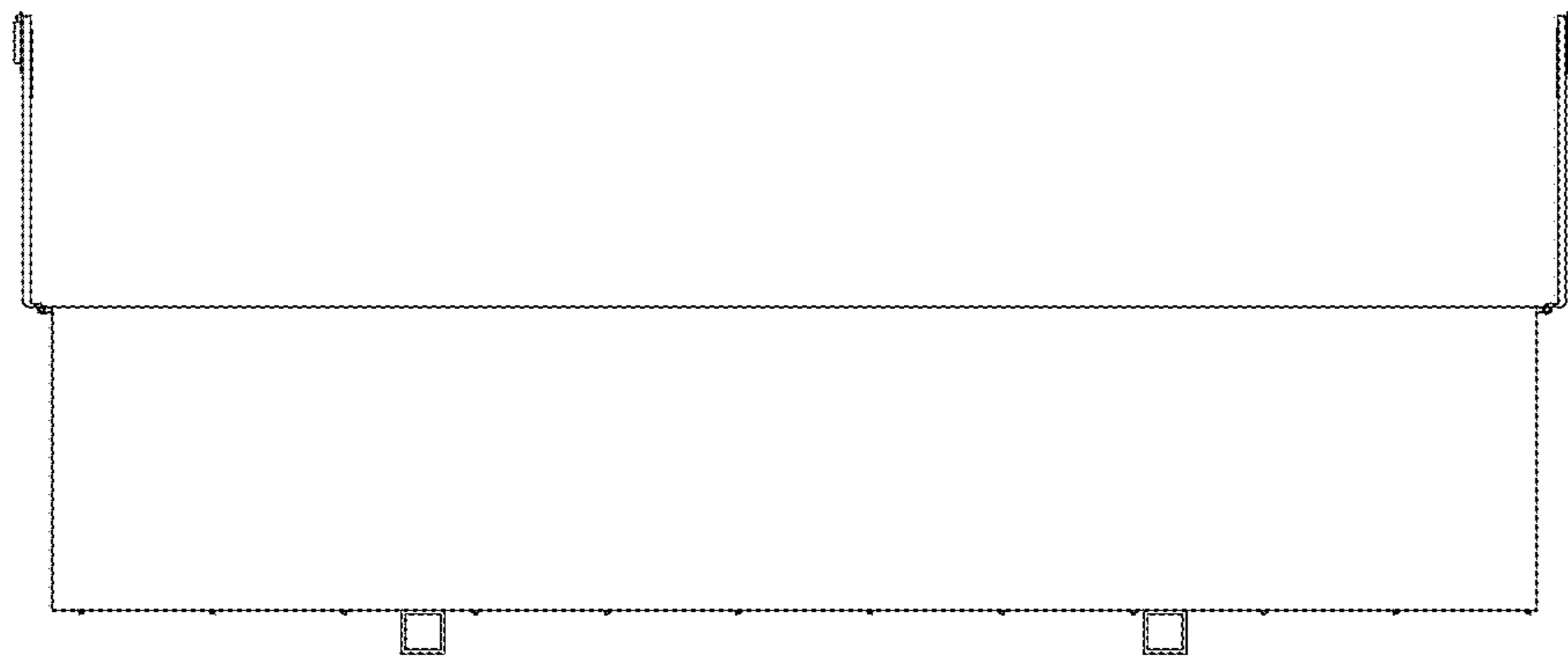


FIG. 3

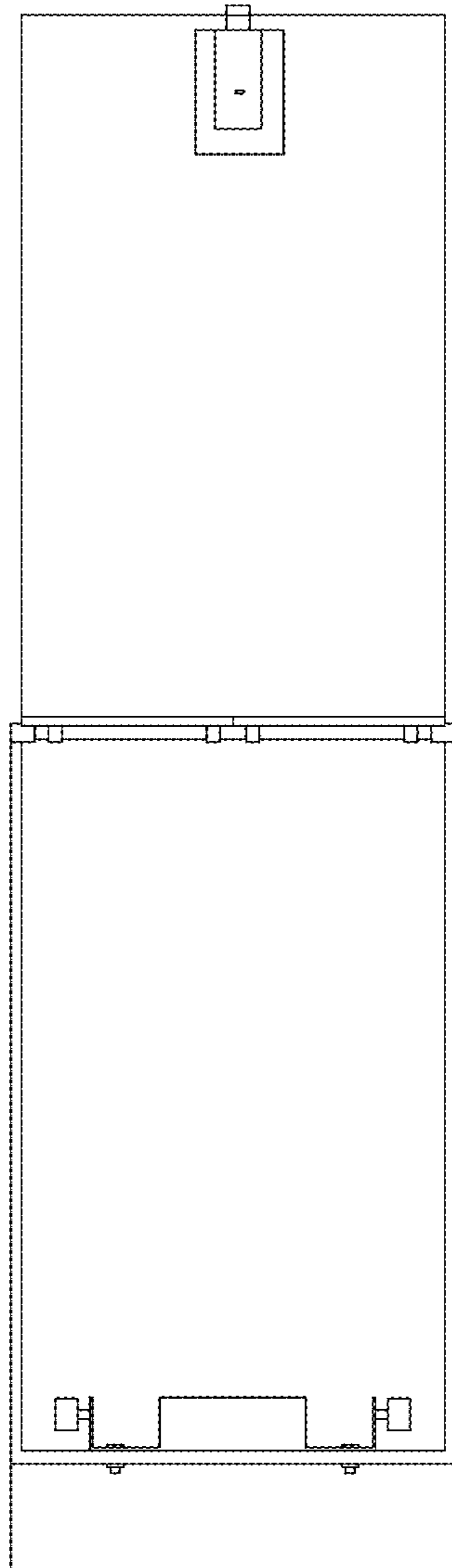


FIG. 4

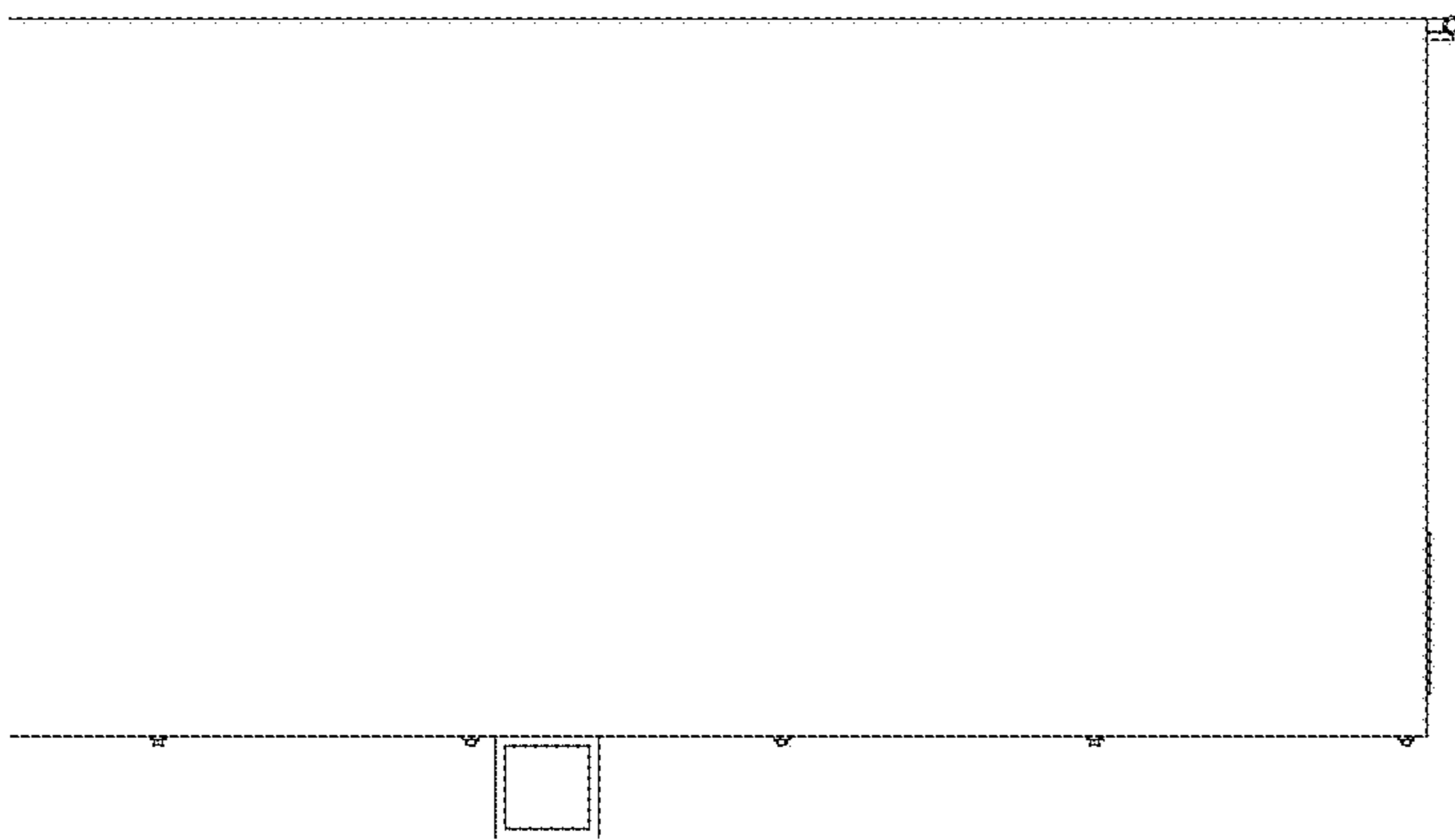


FIG. 5

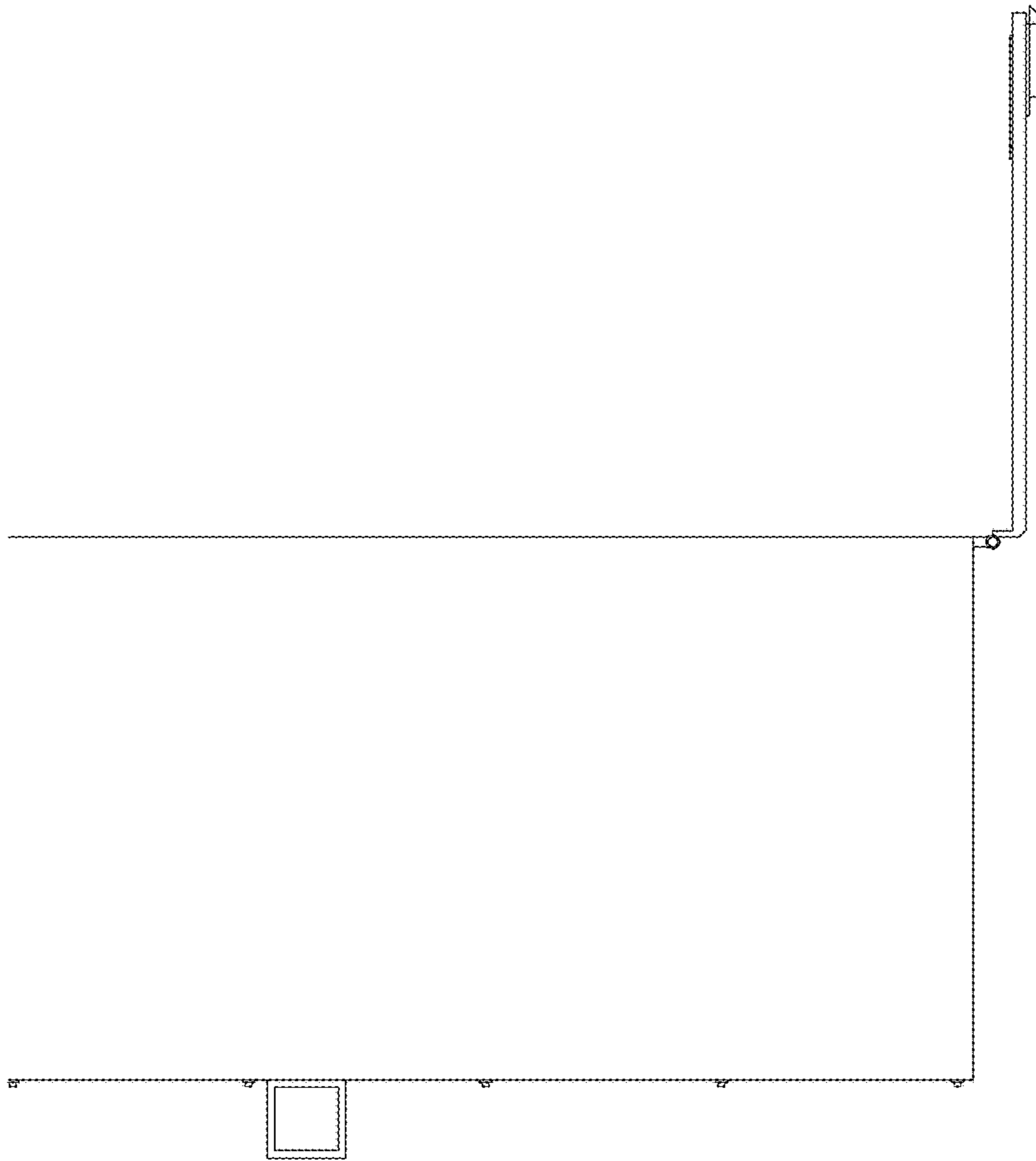


FIG. 6

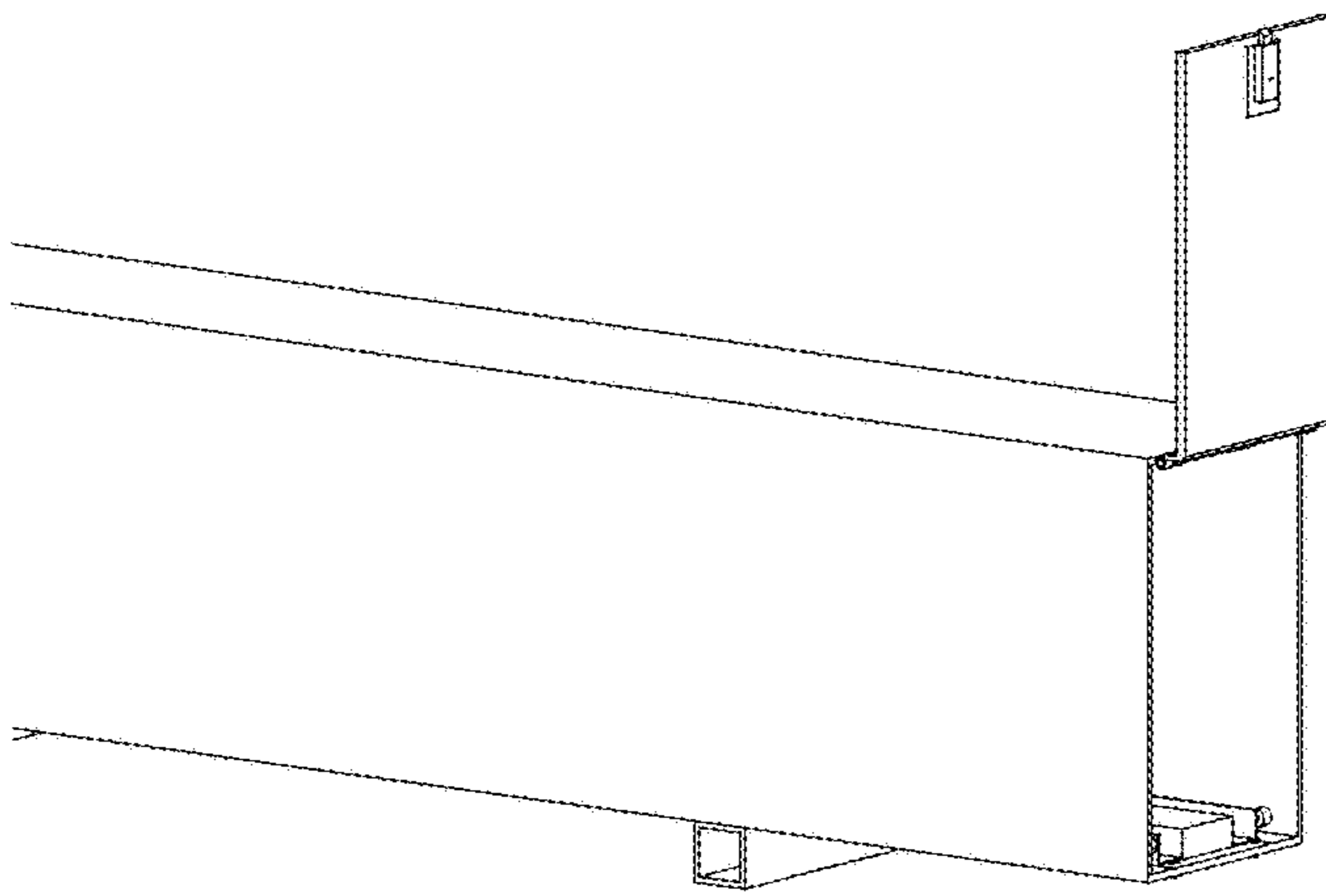


FIG. 7

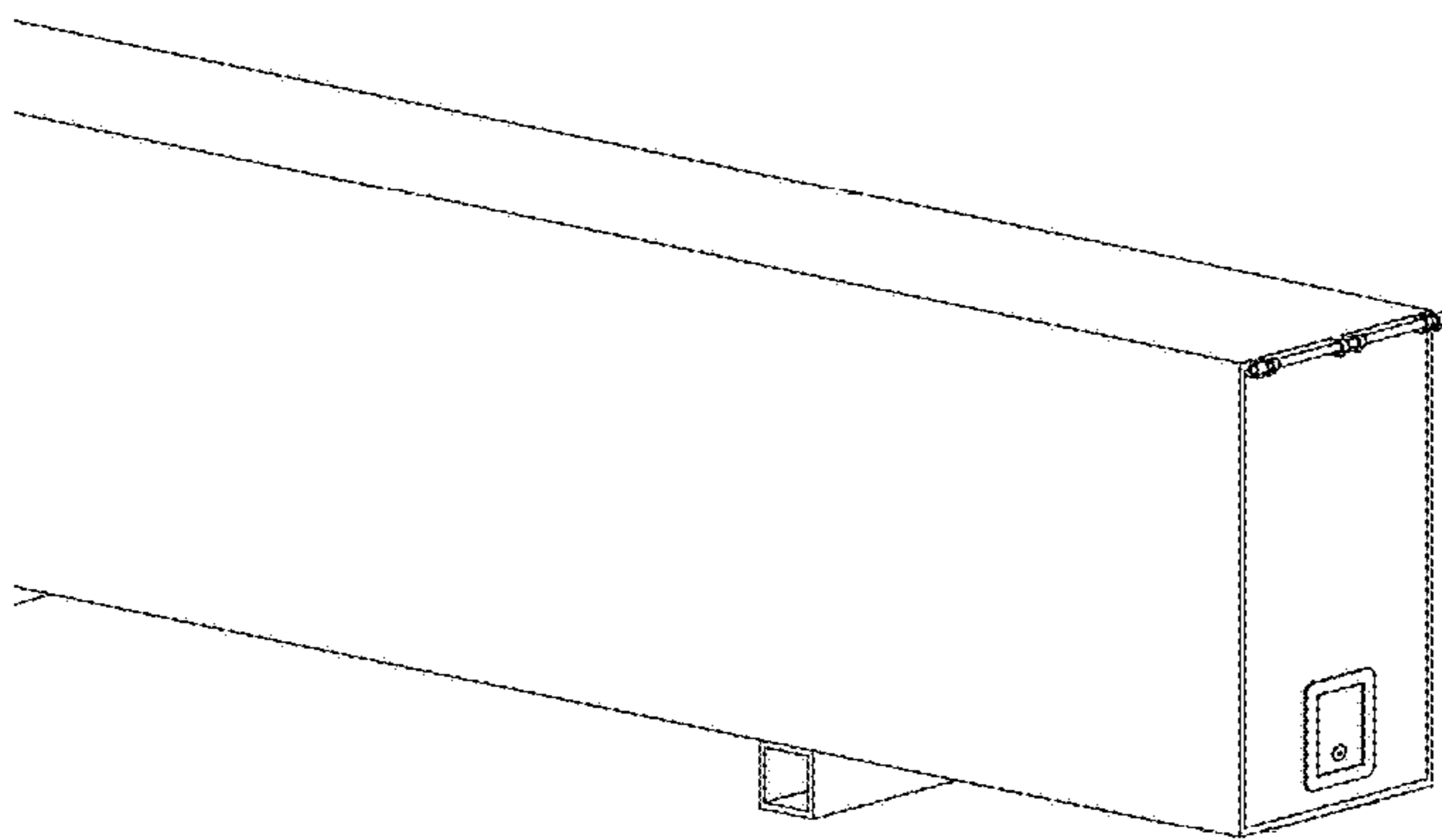


FIG. 8

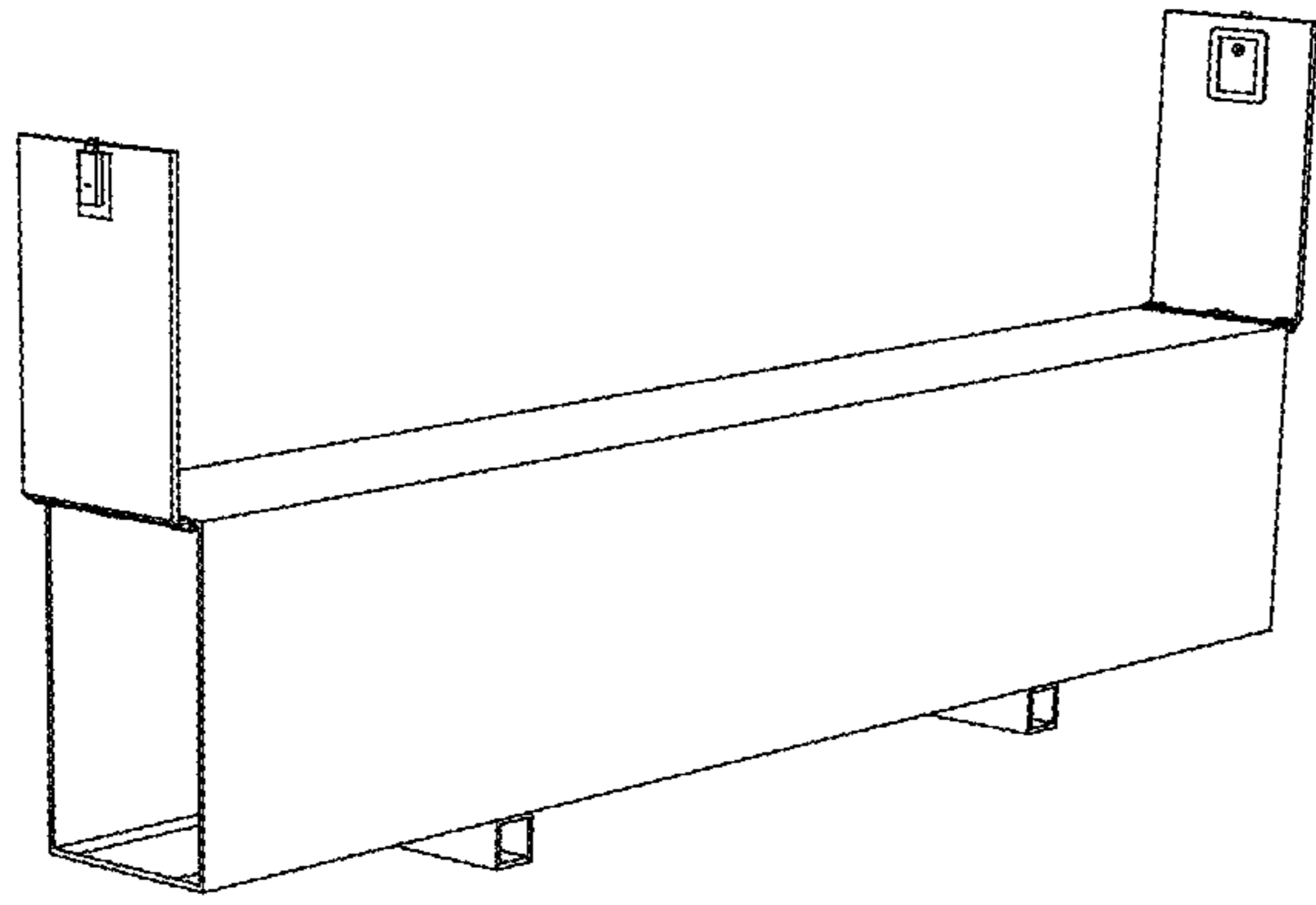


FIG. 9

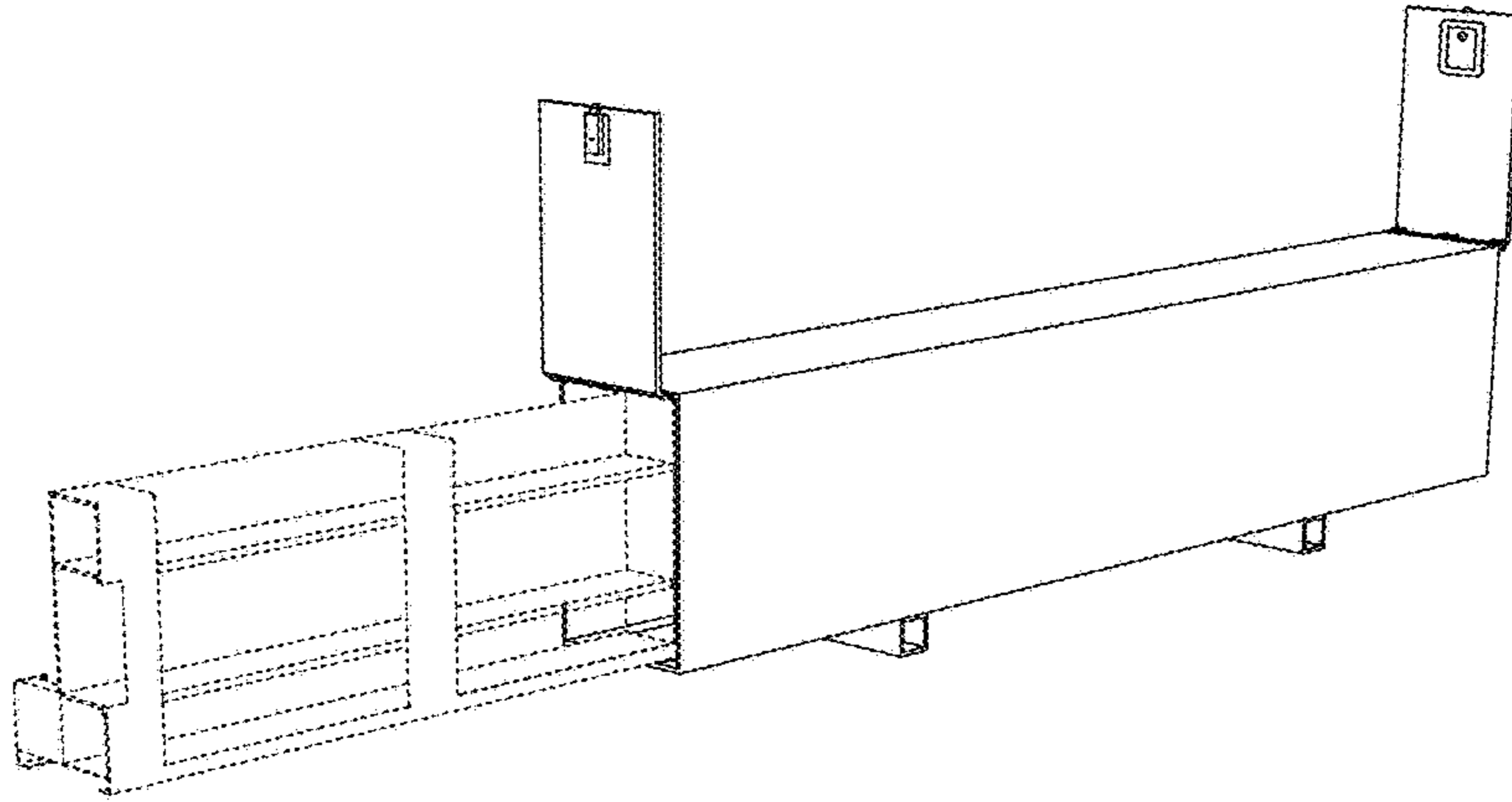


FIG. 10

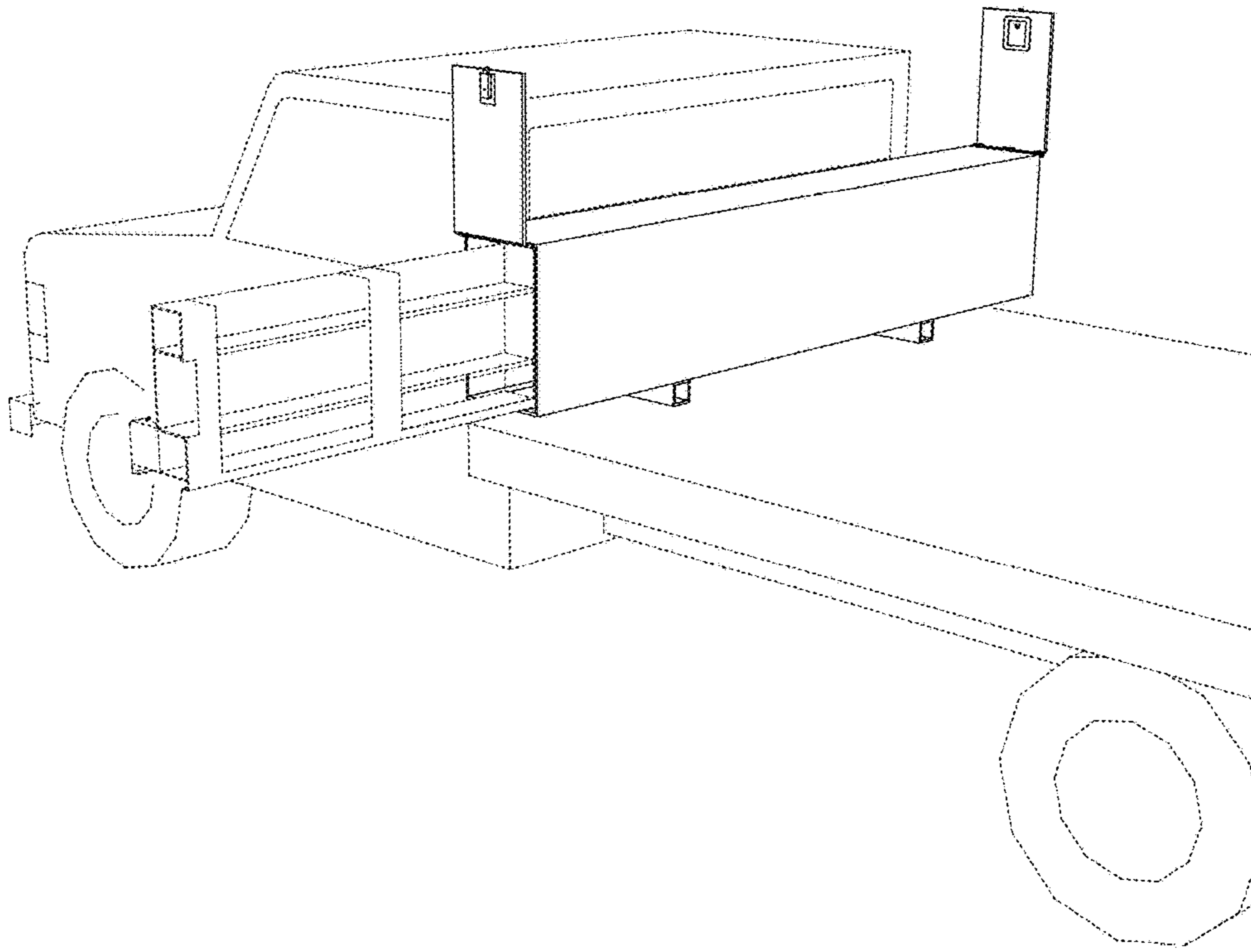


FIG. 11