



US00D816586S

(12) **United States Design Patent** (10) **Patent No.:** **US D816,586 S**  
**Doughty** (45) **Date of Patent:** **\*\* May 1, 2018**

(54) **BOX FOR A BICYCLE**  
(71) Applicant: **SPORTS BOX LIMITED**, Auckland  
CBD (NZ)  
(72) Inventor: **James Doughty**, Auckland (NZ)  
(73) Assignee: **SPORTS BOX LIMITED**, Auckland  
CBD (NZ)  
(\*\*) Term: **15 Years**  
(21) Appl. No.: **29/595,025**  
(22) Filed: **Feb. 24, 2017**  
(51) **LOC (11) Cl.** ..... **12-16**  
(52) **U.S. Cl.**  
USPC ..... **D12/402**  
(58) **Field of Classification Search**  
USPC ..... D12/401-405; D6/610, 611, 596,  
D6/601-603, 615, 617, 621; D7/332,  
D7/334-337  
CPC .. E04H 15/06; B62J 19/00; B62J 11/18; B62J  
11/26; B62J 11/24; B62J 11/22  
See application file for complete search history.

(56) **References Cited**  
U.S. PATENT DOCUMENTS  
D675,556 S \* 2/2013 Isakov ..... D12/402  
D675,974 S \* 2/2013 Nguyen ..... D12/402  
D679,771 S \* 4/2013 Muggleton ..... D12/401  
D689,011 S \* 9/2013 Isakov ..... B62H 3/12  
D12/402  
D691,549 S \* 10/2013 Kara ..... D12/402  
D723,451 S \* 3/2015 Depew, Jr. .... D12/402  
D781,209 S \* 3/2017 Houck ..... D12/402  
D784,906 S \* 4/2017 van Kempen ..... D12/402  
D803,142 S \* 11/2017 Bauer ..... D12/402  
D803,762 S \* 11/2017 Greenblatt ..... D12/402

\* cited by examiner

Primary Examiner — Katrina A Betton

(74) *Attorney, Agent, or Firm* — Weiss & Moy, P.C.;  
Jeffrey D. Moy

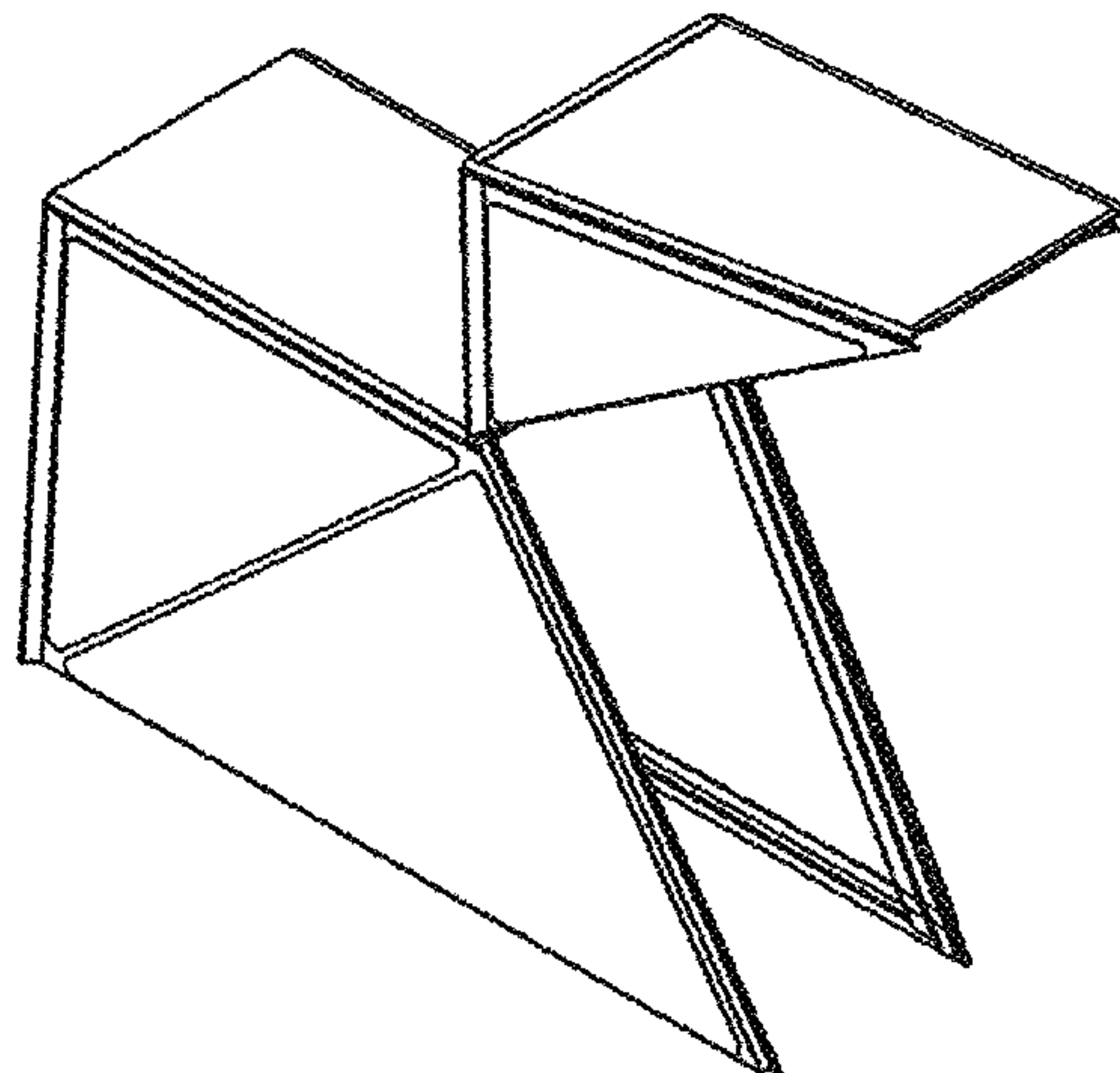
(57) **CLAIM**

An ornamental design for a box for a bicycle, as shown and described.

**DESCRIPTION**

FIG. 1 is a perspective view of a box for a bicycle, with the door in a closed position;  
FIG. 2 is another perspective view of the box for a bicycle, with the door in a closed position;  
FIG. 3 is a top view of the box for a bicycle, with the door in a closed position;  
FIG. 4 is a bottom view of the box for a bicycle, with the door in a closed position;  
FIG. 5 is a side view of the box for a bicycle, with the door in a closed position, the other side being a mirror image thereof;  
FIG. 6 is a rear end view of the box for a bicycle, with the door in a closed position;  
FIG. 7 is a front end view of the box for a bicycle, with the door in a closed position;  
FIG. 8 is a perspective view of the box for a bicycle, with the door in an open position;  
FIG. 9 is another perspective view of the box for a bicycle, with the door in an open position;  
FIG. 10 is a top view of the box for a bicycle, with the door in an open position;  
FIG. 11 is a bottom view of the box for a bicycle, with the door in an open position;  
FIG. 12 is a side view of the box for a bicycle, with the door in an open position, the other side being a mirror image thereof;  
FIG. 13 is a rear end view of the box for a bicycle, with the door in an open position; and,  
FIG. 14 is a front end view of the box for a bicycle, with the door in an open position.

**1 Claim, 14 Drawing Sheets**



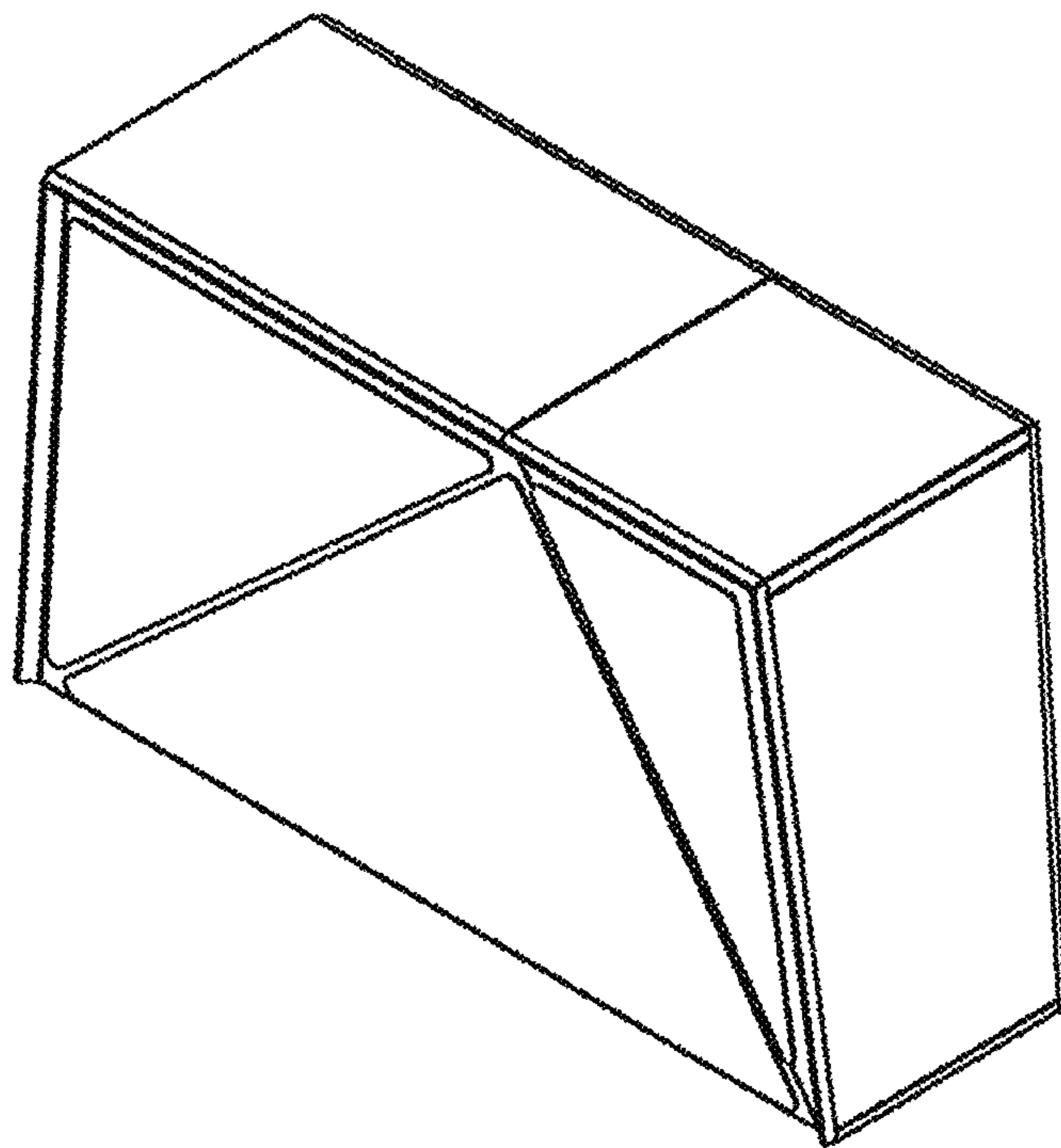


FIG. 1

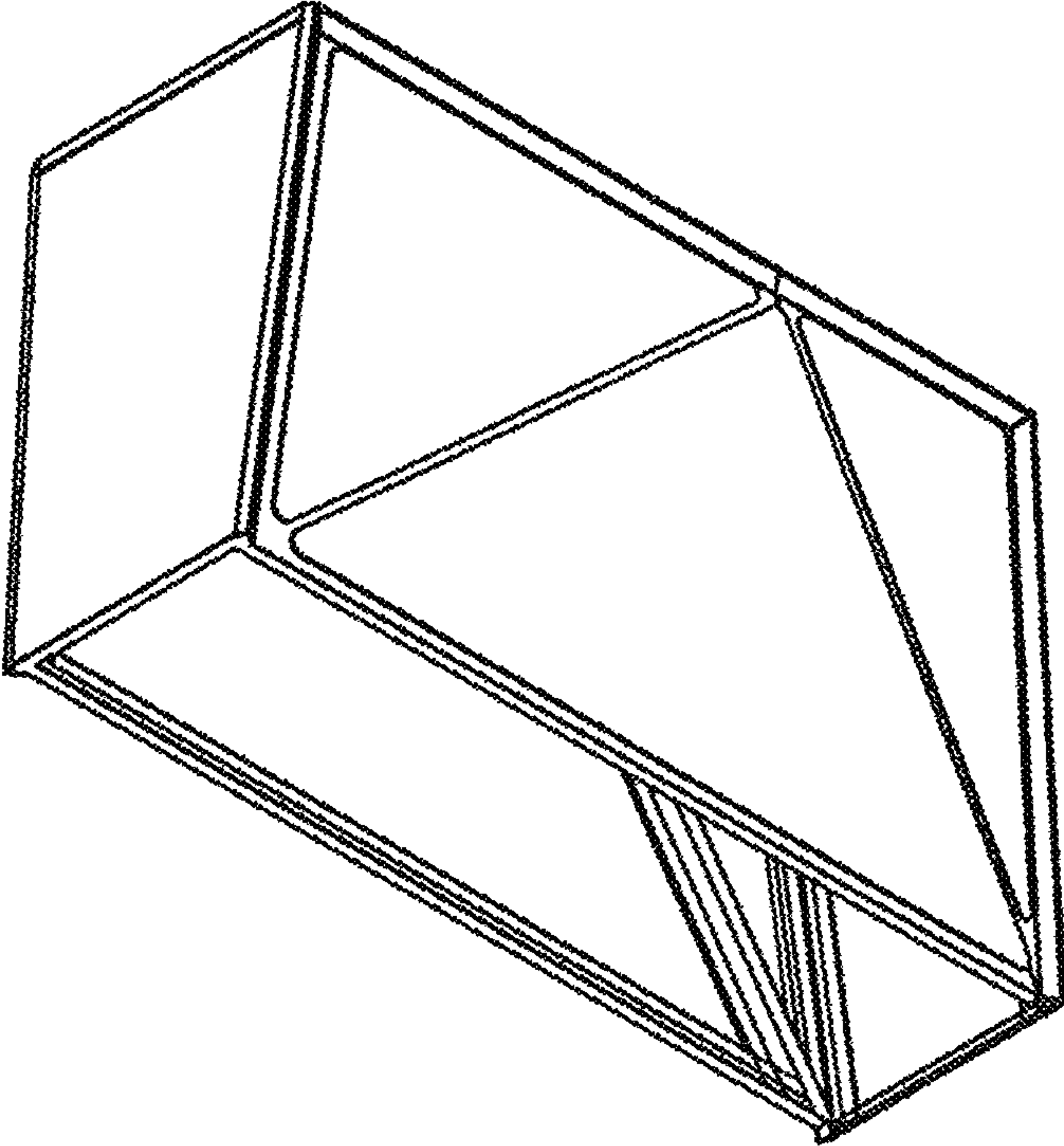


FIG. 2

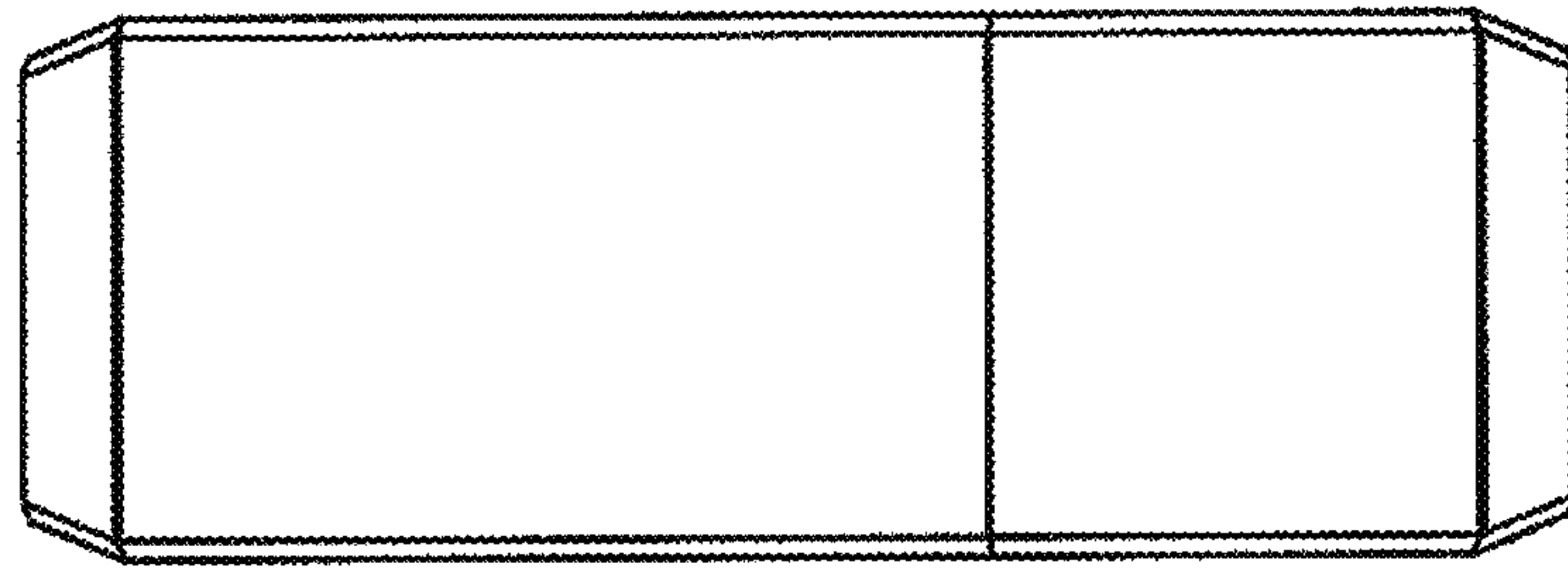


FIG. 3

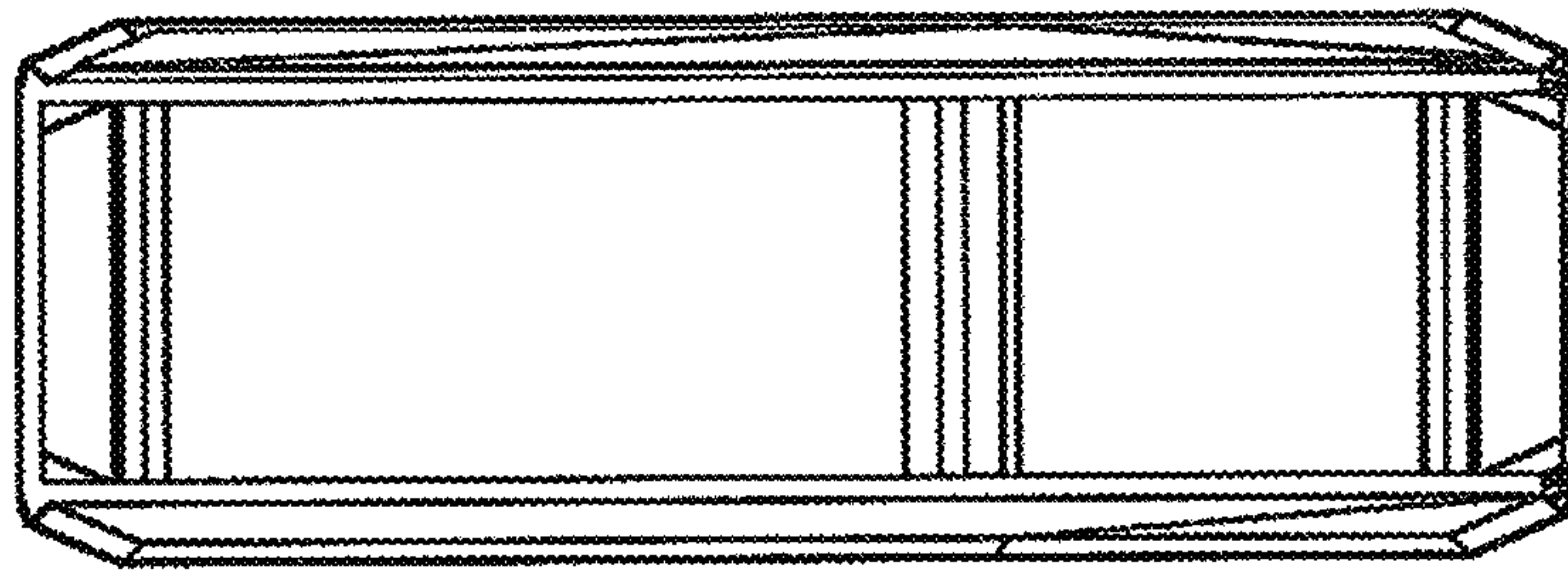


FIG. 4

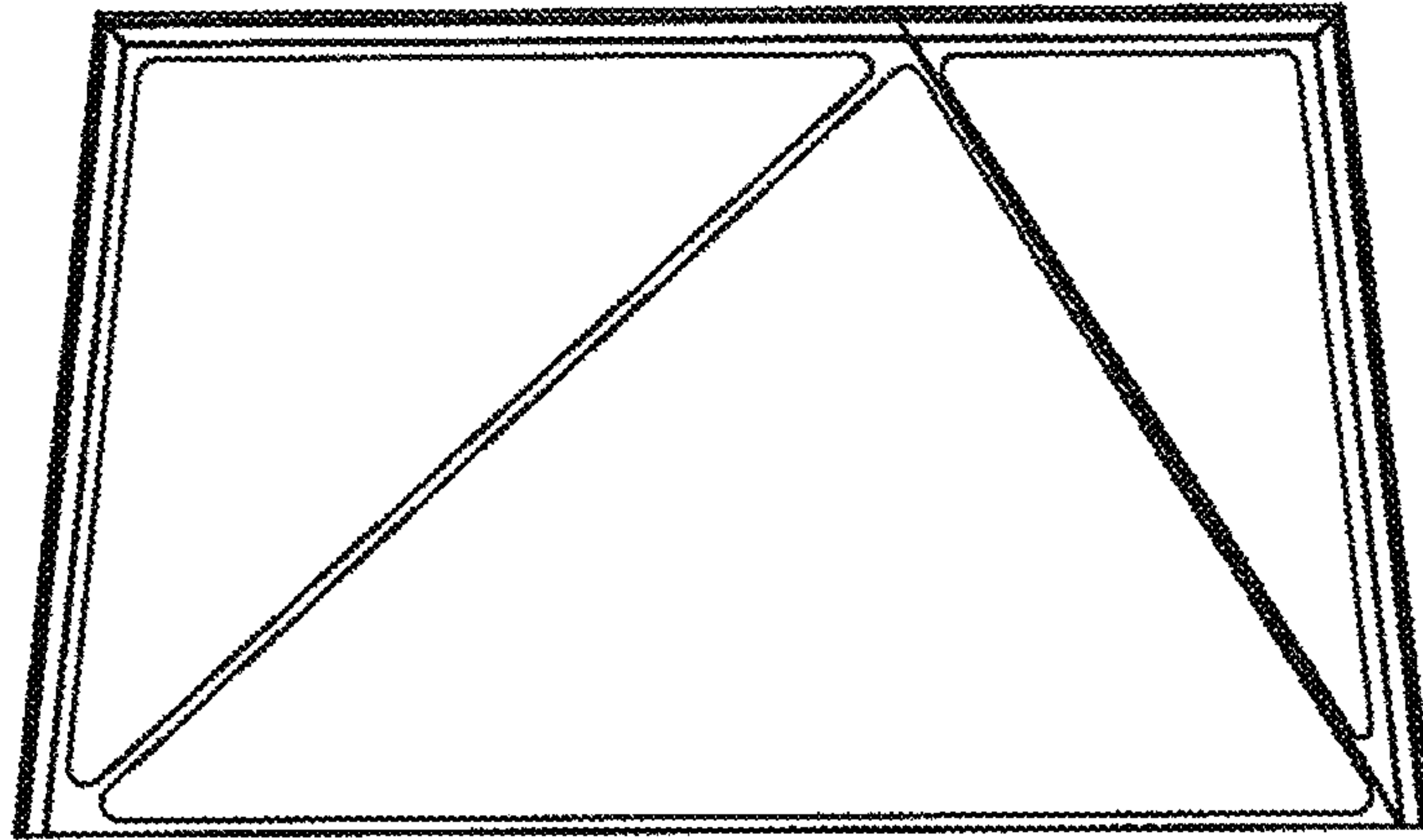


FIG. 5

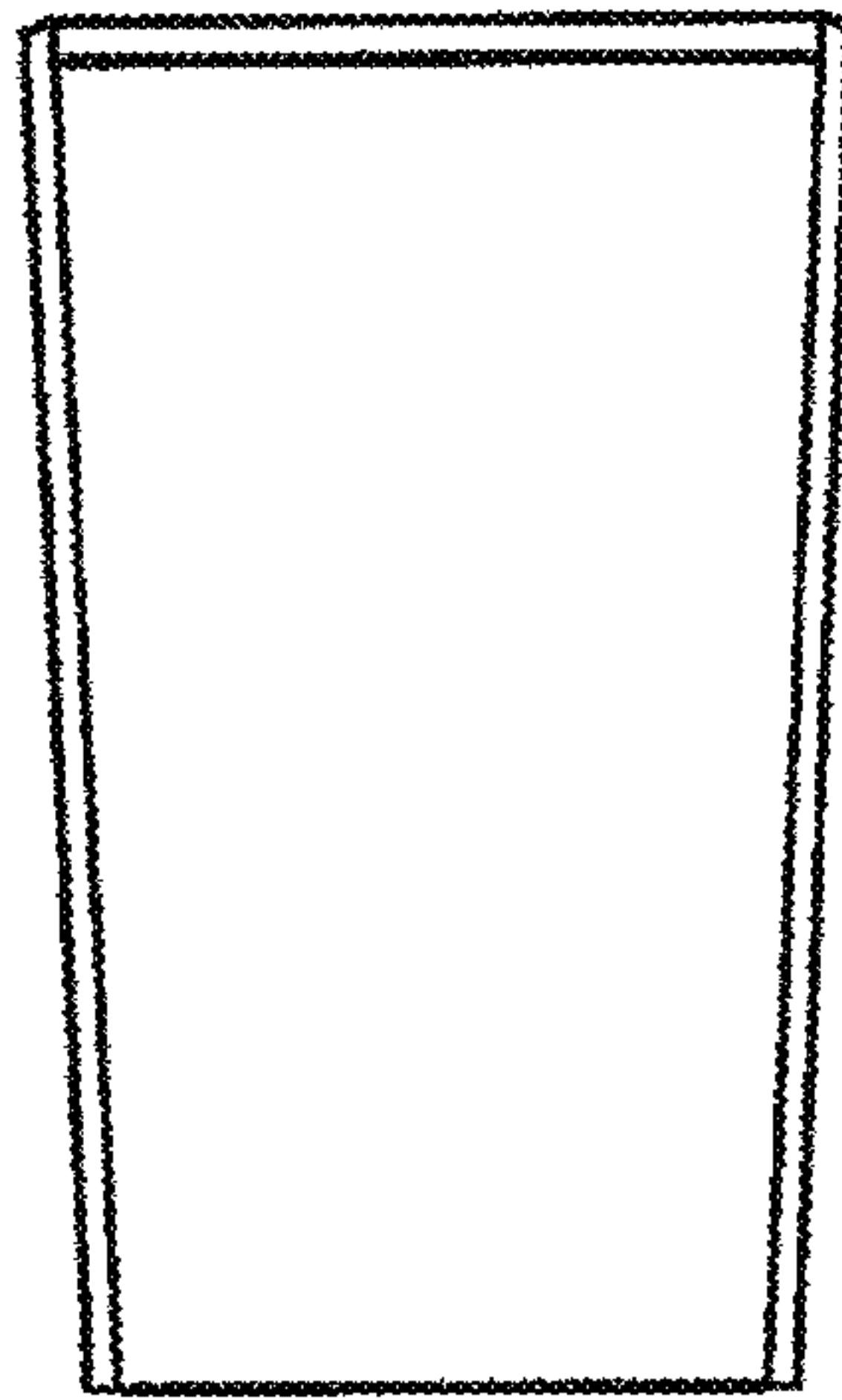


FIG. 6



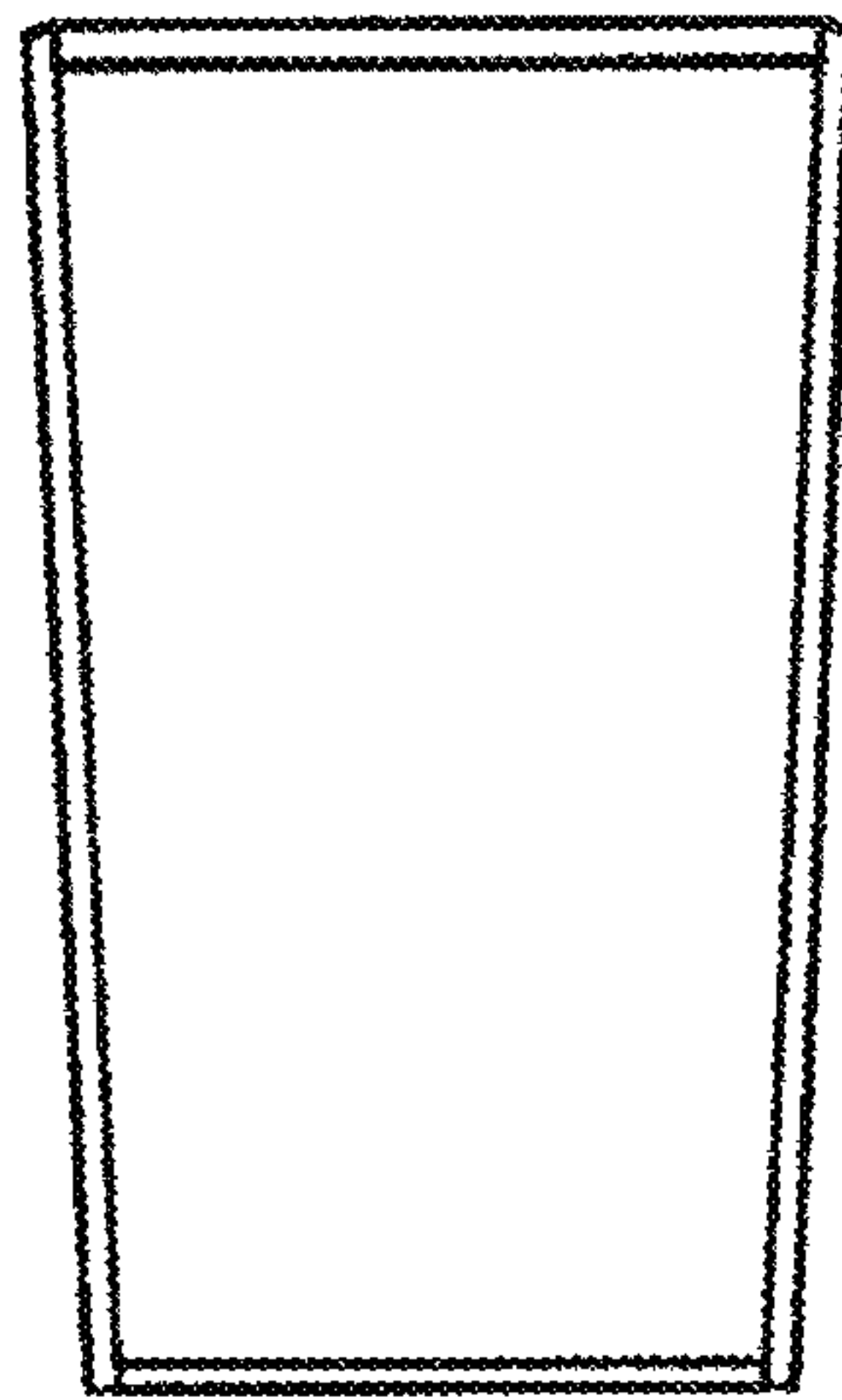


FIG. 7



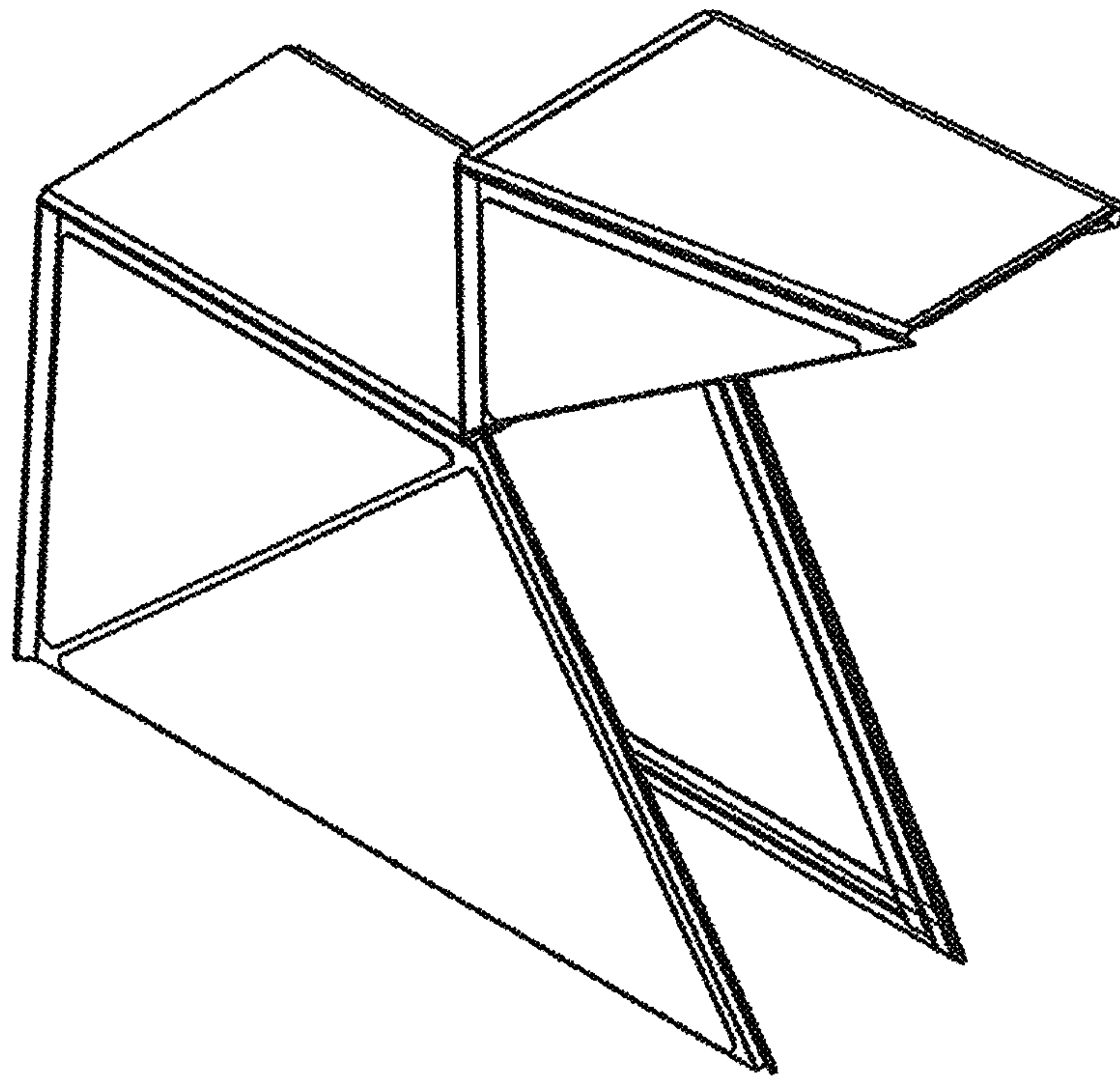


FIG. 8

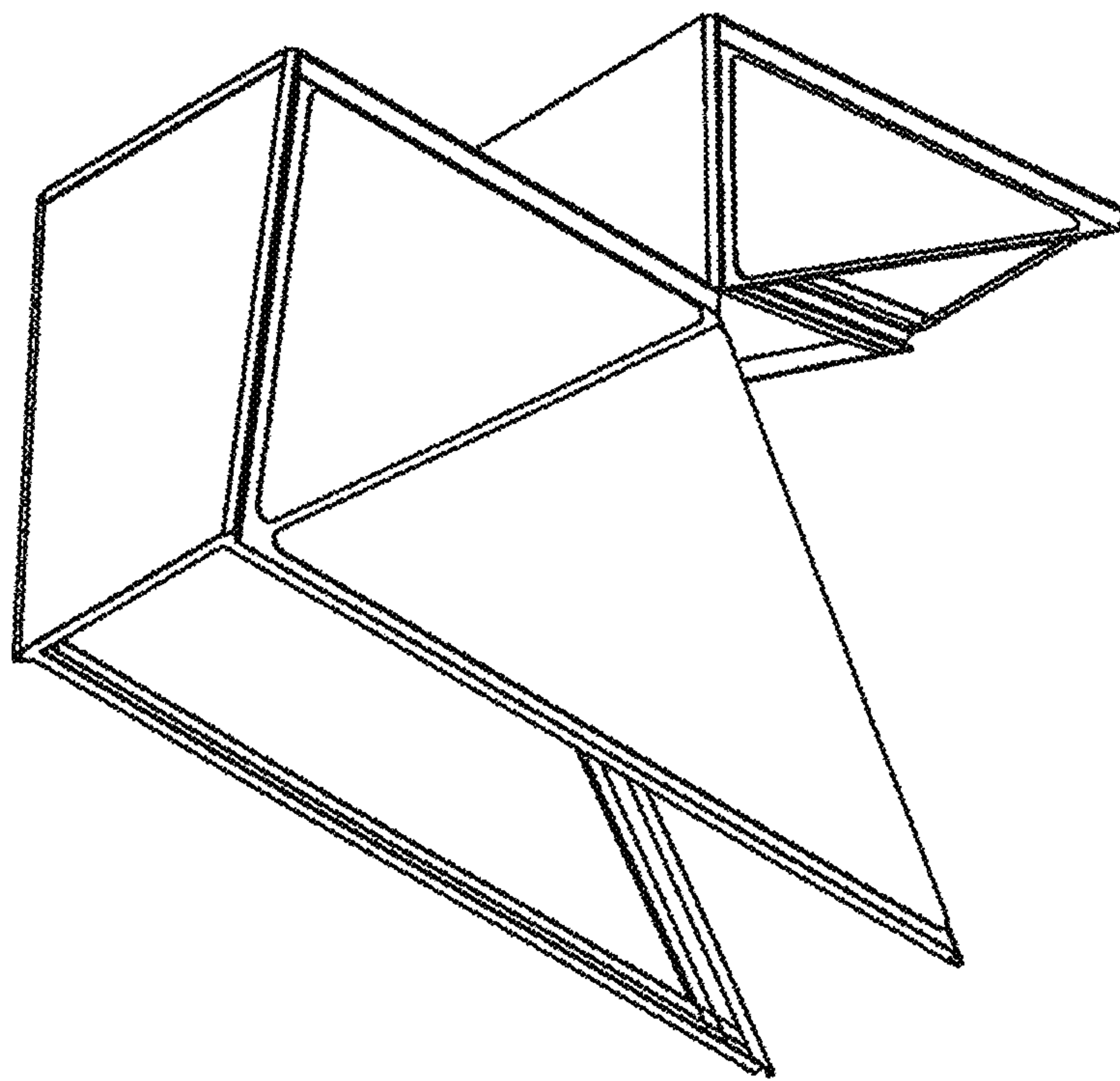


FIG. 9

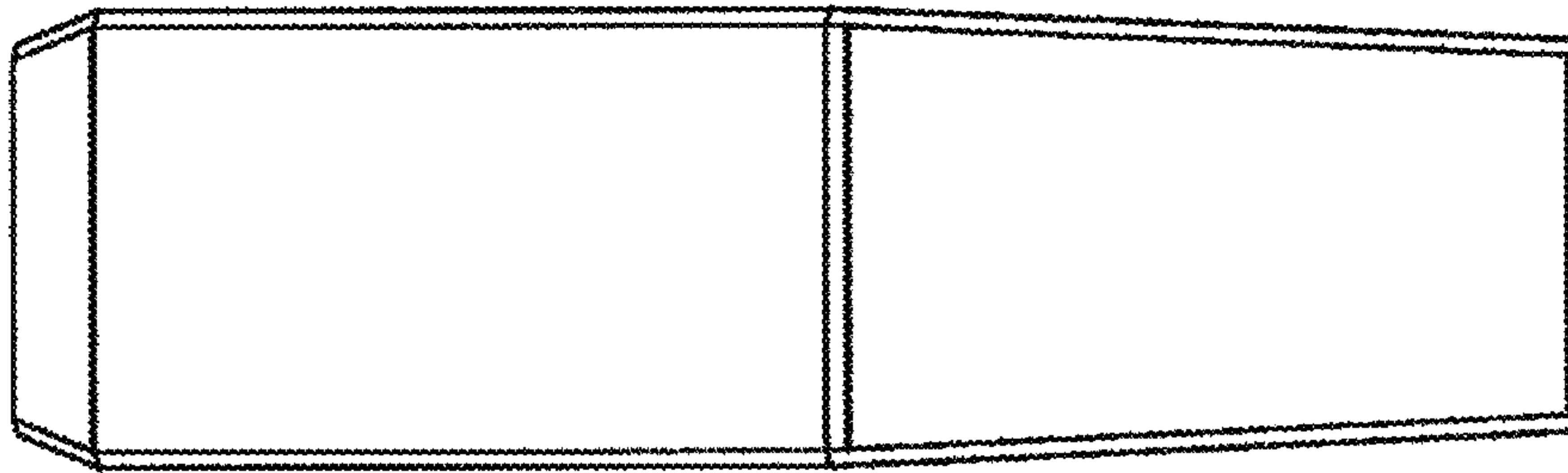


FIG. 10

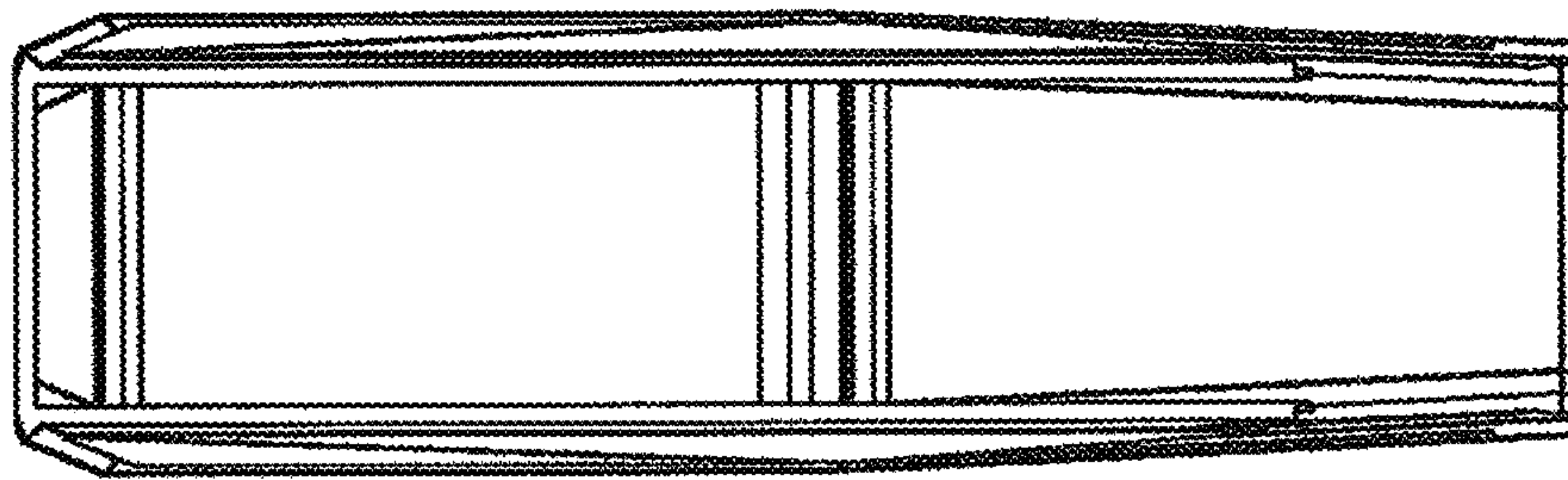


FIG. 11

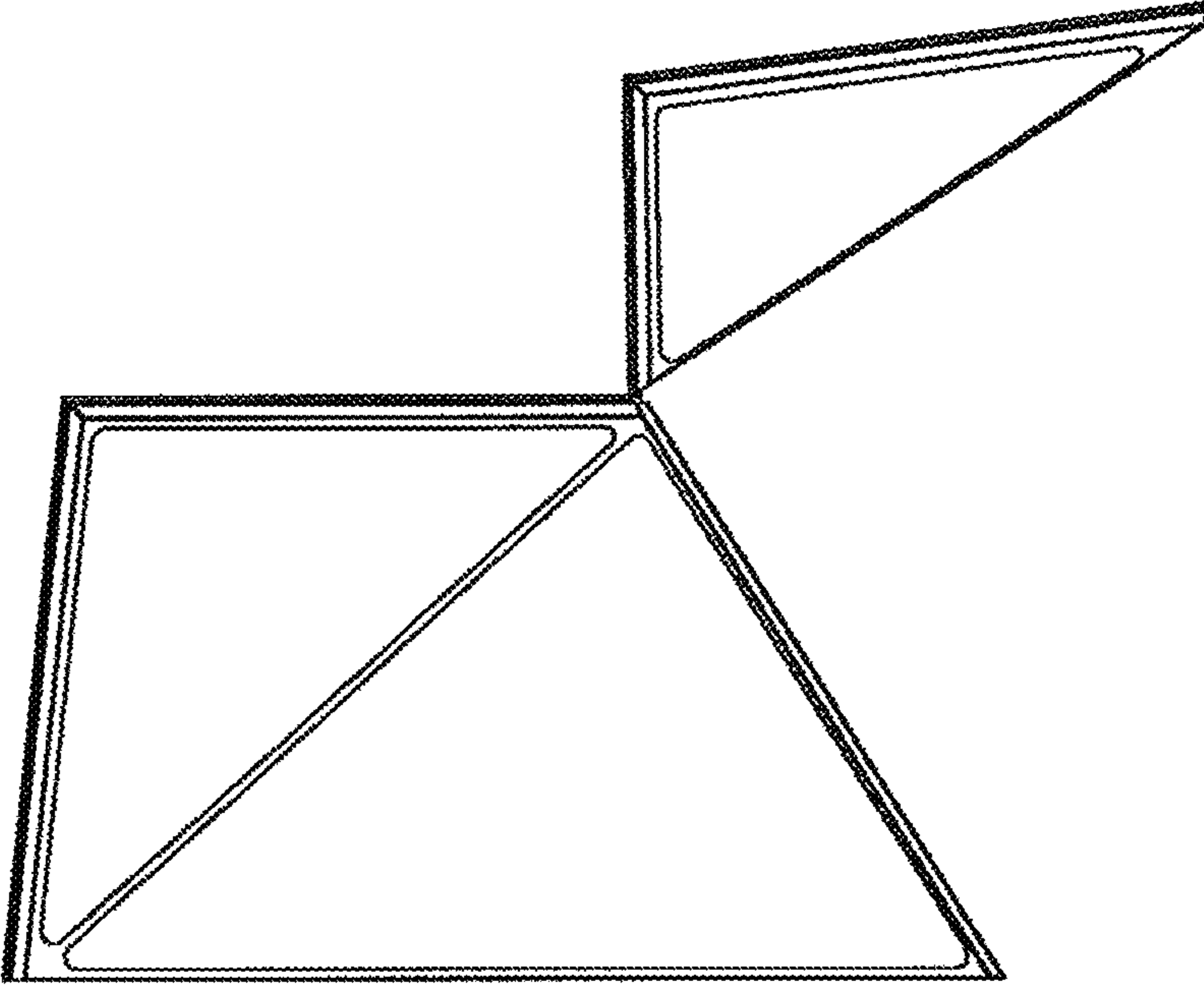


FIG. 12

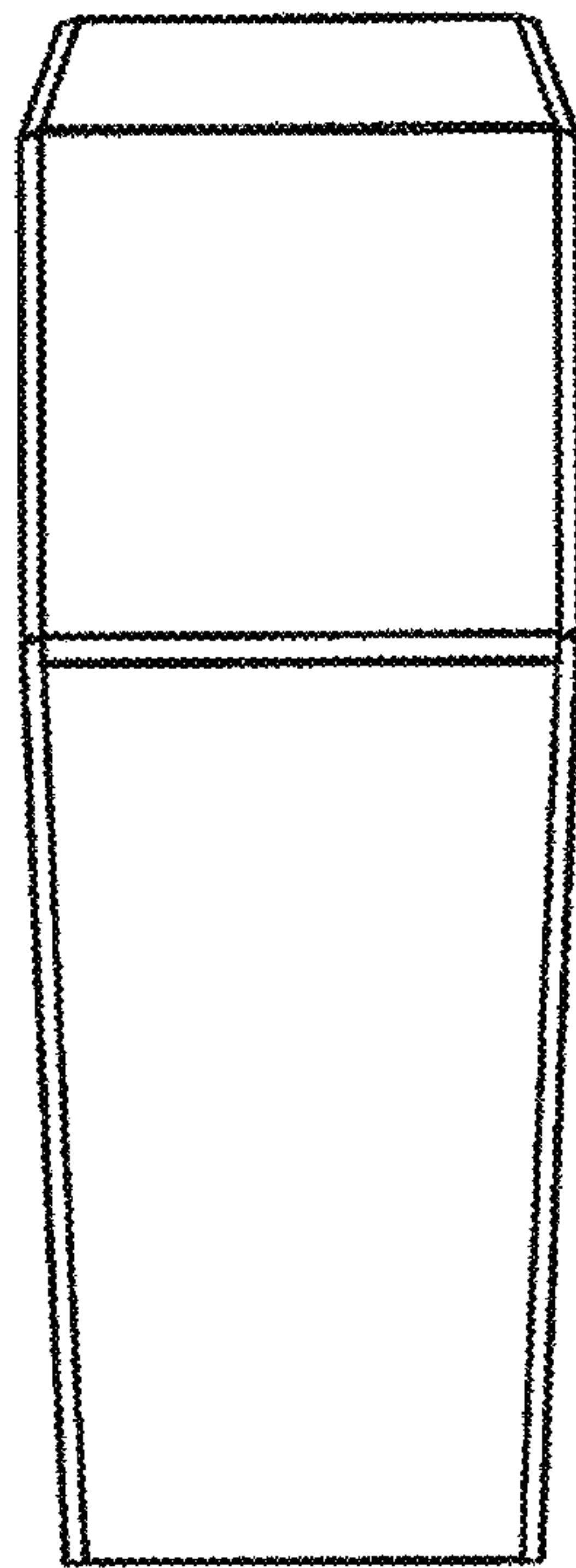


FIG. 13

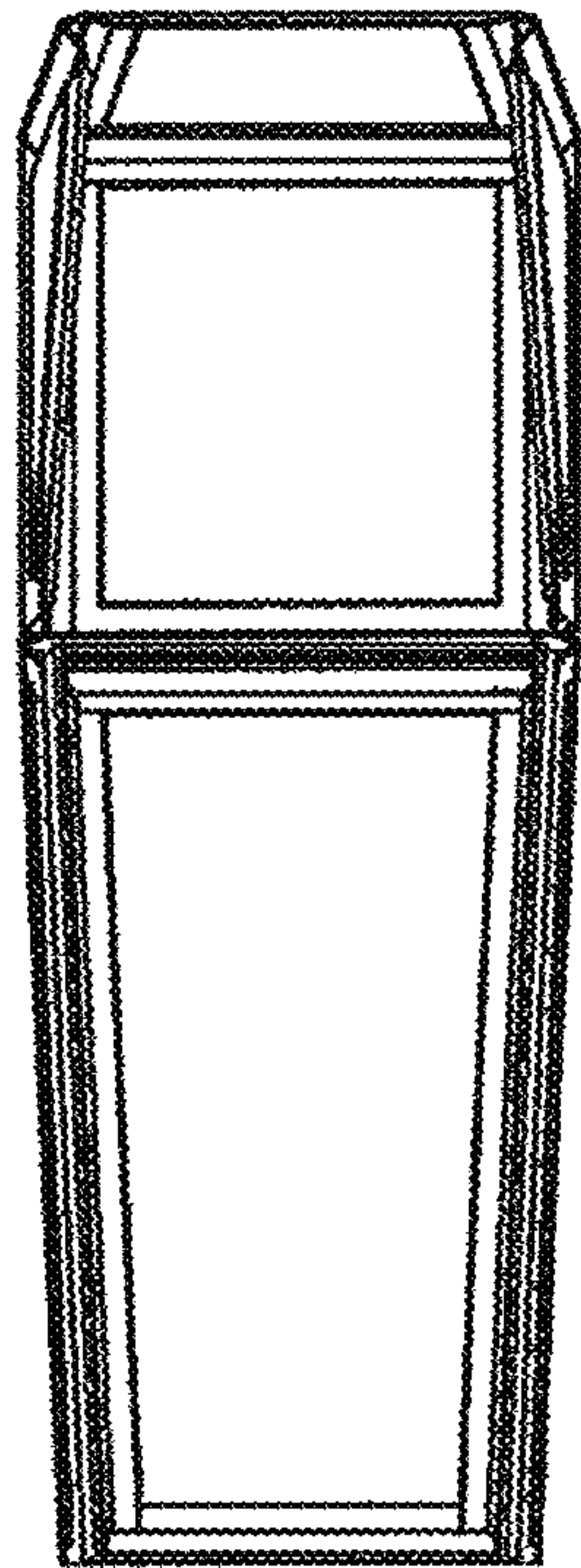


FIG. 14