



US00D816583S

(12) **United States Design Patent** (10) **Patent No.:** **US D816,583 S**
Dutertre (45) **Date of Patent:** **** May 1, 2018**

(54) **AIRPLANE**

(71) Applicant: **Xavier Dutertre**, Evreux (FR)

(72) Inventor: **Xavier Dutertre**, Evreux (FR)

(**) Term: **15 Years**

(21) Appl. No.: **29/607,530**

(22) Filed: **Jun. 14, 2017**

(30) **Foreign Application Priority Data**

May 3, 2017 (FR) 2017-2098

(51) **LOC (11) Cl.** **12-07**

(52) **U.S. Cl.**

USPC **D12/328**

(58) **Field of Classification Search**

USPC D12/16.1, 319, 325, 326, 327, 328,
D12/329-345; D21/436, 441, 442, 443,
D21/444, 445-453

CPC B64C 39/024; B64C 2201/141; B64C
2201/00; B64C 2201/108

See application file for complete search history.

(56) **References Cited**

U.S. PATENT DOCUMENTS

D110,574 S * 7/1938 Rogers D12/331

D129,529 S * 9/1941 Laddon 244/13

D189,562 S * 1/1961 Nelson D12/330

D190,004 S * 3/1961 Doak D12/330

D193,452 S * 8/1962 Rellis D12/330

D195,794 S * 7/1963 Danclk D12/330

D196,213 S * 9/1963 Paxhia D12/330

D204,108 S * 3/1966 Peterson D12/330

3,499,620 A * 3/1970 Sturm B64C 29/0033
244/12.4

D302,676 S * 8/1989 Clifton D12/326

D418,805 S * 1/2000 Cycon 244/12.3

D454,109 S * 3/2002 Moshier D12/319

6,886,776 B2 * 5/2005 Wagner B64C 3/56
244/12.1

D634,257 S * 3/2011 Alexander D12/326

D665,333 S * 8/2012 Oliver D12/326

D696,618 S * 12/2013 Wang D12/326

8,733,690 B2 * 5/2014 Bevirt B64C 29/0033
244/12.4

D739,335 S * 9/2015 Robertson D12/345

D740,201 S * 10/2015 Wang D12/326

D741,247 S * 10/2015 Brody D12/326

D751,491 S * 3/2016 Chen D12/16.1

9,475,579 B2 * 10/2016 Fredericks B64C 25/52

D772,756 S * 11/2016 Gambus D12/16.1

D799,402 S * 10/2017 Cummings D12/327

D803,724 S * 11/2017 Zhou D12/16.1

2007/0018035 A1 * 1/2007 Saiz B64C 15/00
244/12.3

(Continued)

Primary Examiner — Robert M. Spear
Assistant Examiner — Marissa J Cash
(74) *Attorney, Agent, or Firm* — Fredrikson & Byron,
P.A.

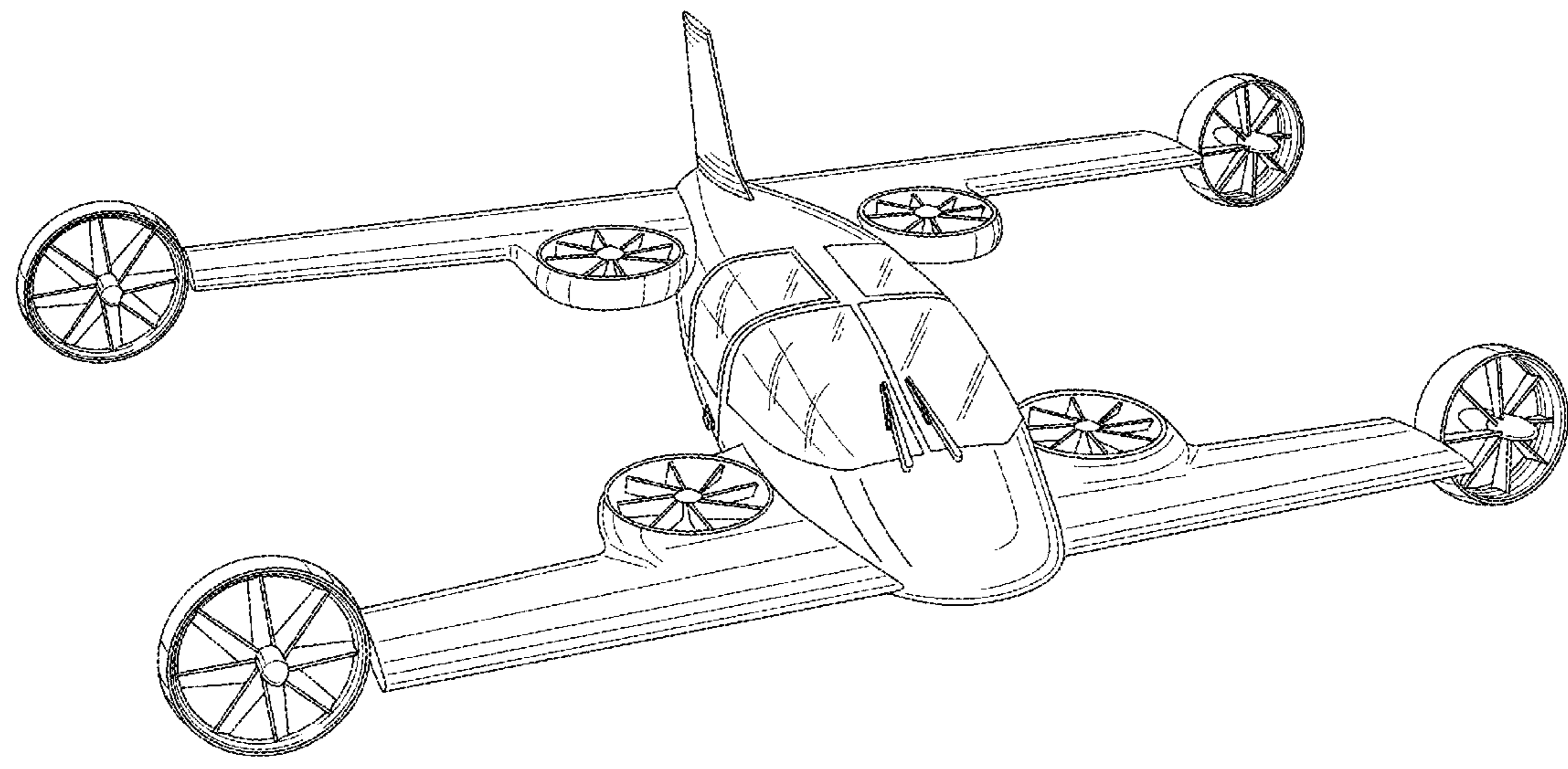
(57) **CLAIM**

I claim the ornamental design for an airplane, as shown and described.

DESCRIPTION

FIG. 1 is a front perspective view of an airplane incorporating my new design;
FIG. 2 is a front elevation view thereof;
FIG. 3 is a right side elevation view thereof;
FIG. 4 is a back elevation view thereof;
FIG. 5 is is left side elevation view thereof;
FIG. 6 is top view thereof;
FIG. 7 is a bottom view thereof;
FIG. 8 is another front perspective view thereof, with the wheels tilted; and,
FIG. 9 is further front perspective view thereof, with the wheels tilted in another angle.

1 Claim, 9 Drawing Sheets



(56)

References Cited

U.S. PATENT DOCUMENTS

2008/0142643 A1* 6/2008 Yoeli B60V 1/06
244/23 R
2012/0012692 A1* 1/2012 Kroo B64C 29/0025
244/6
2014/0339372 A1* 11/2014 Dekel B64C 29/0033
244/7 R
2015/0314867 A1* 11/2015 Razroev B64C 29/0033
244/119
2017/0369162 A1* 12/2017 Alzahrani B64C 29/0033

* cited by examiner

Fig. 1

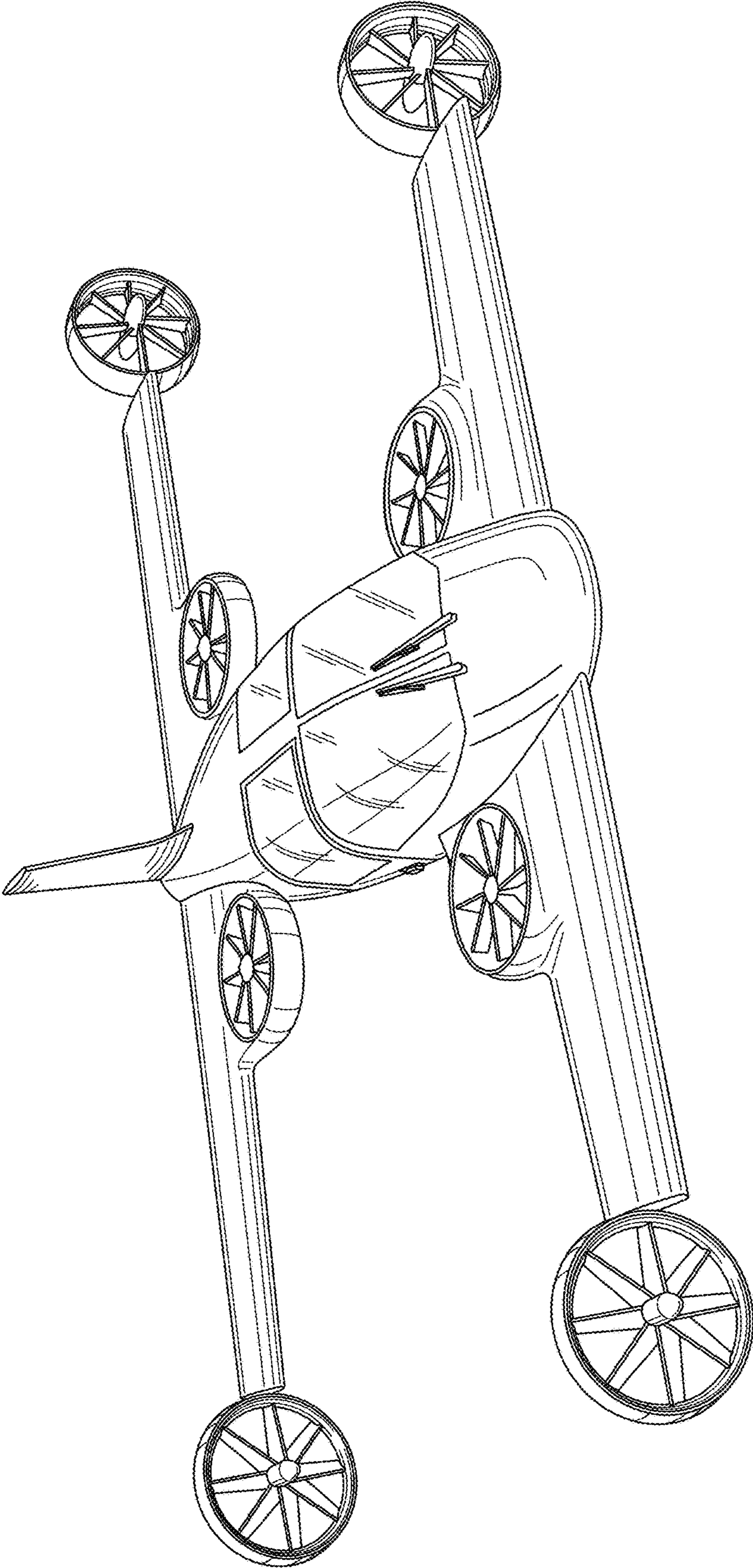


Fig. 2

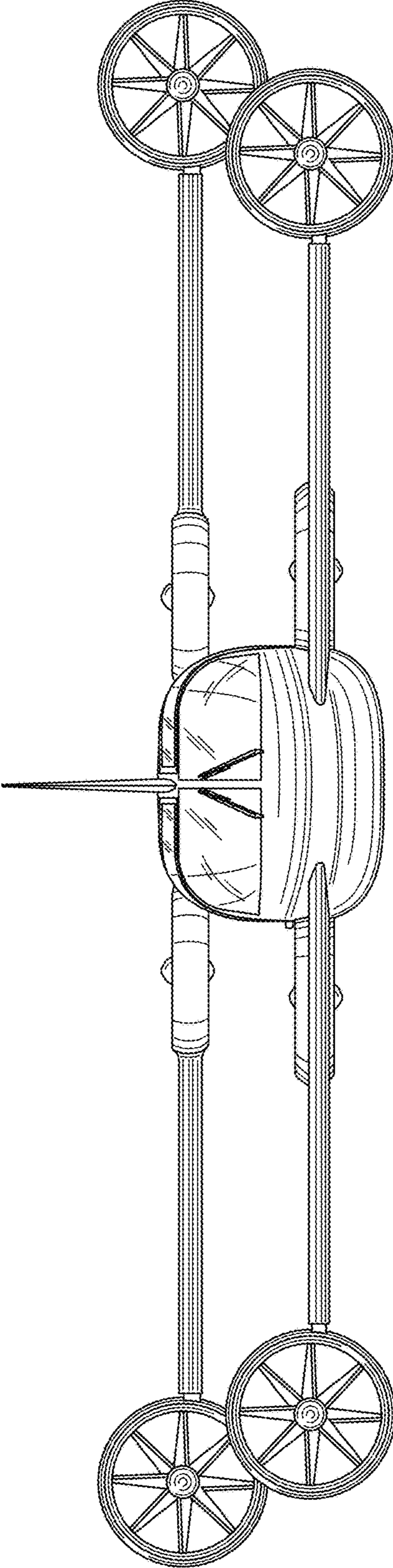


Fig. 3

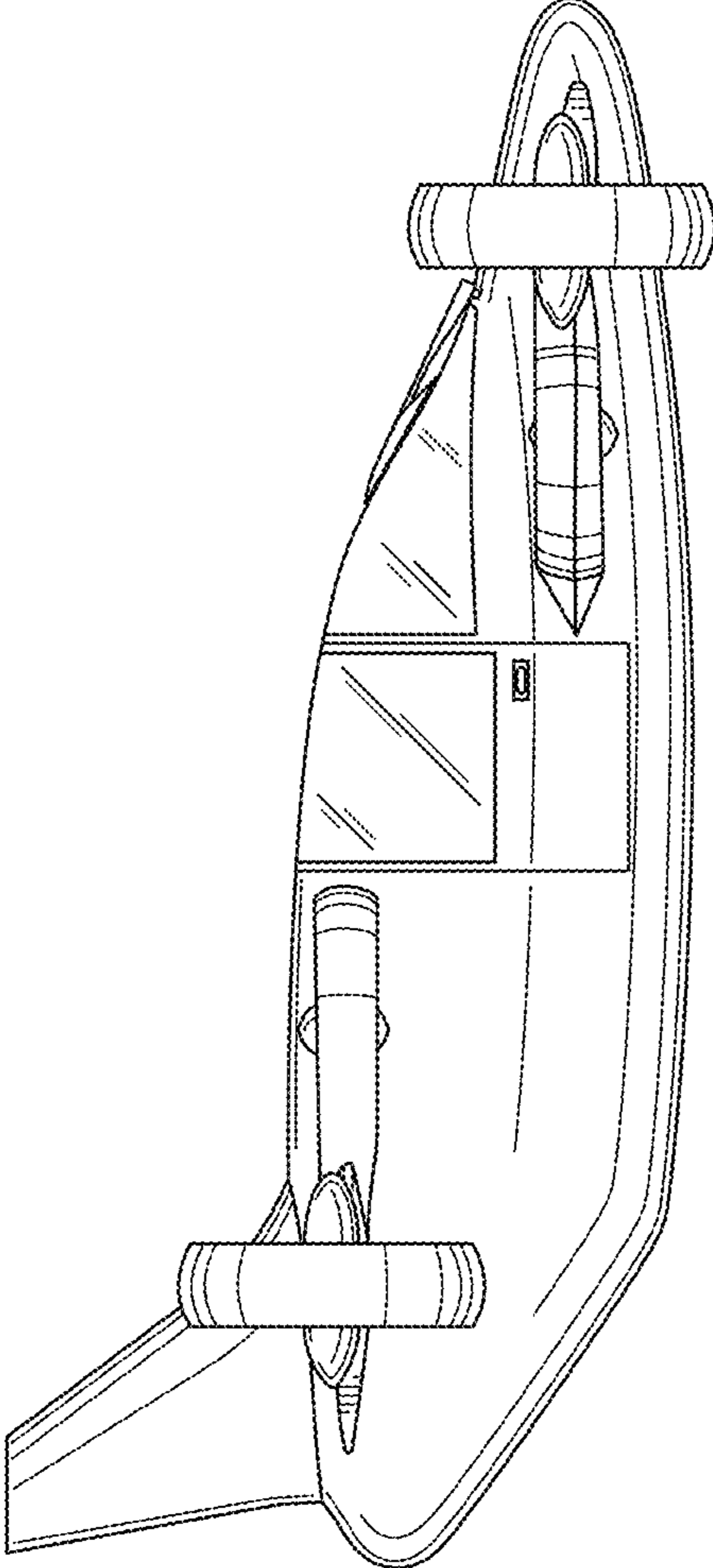


Fig. 4

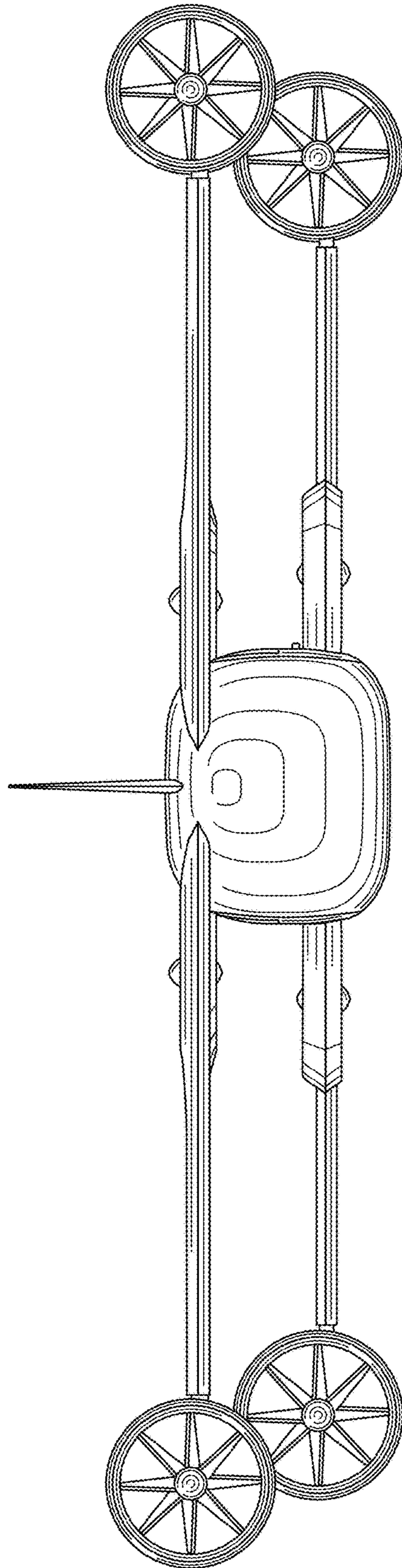


Fig. 5

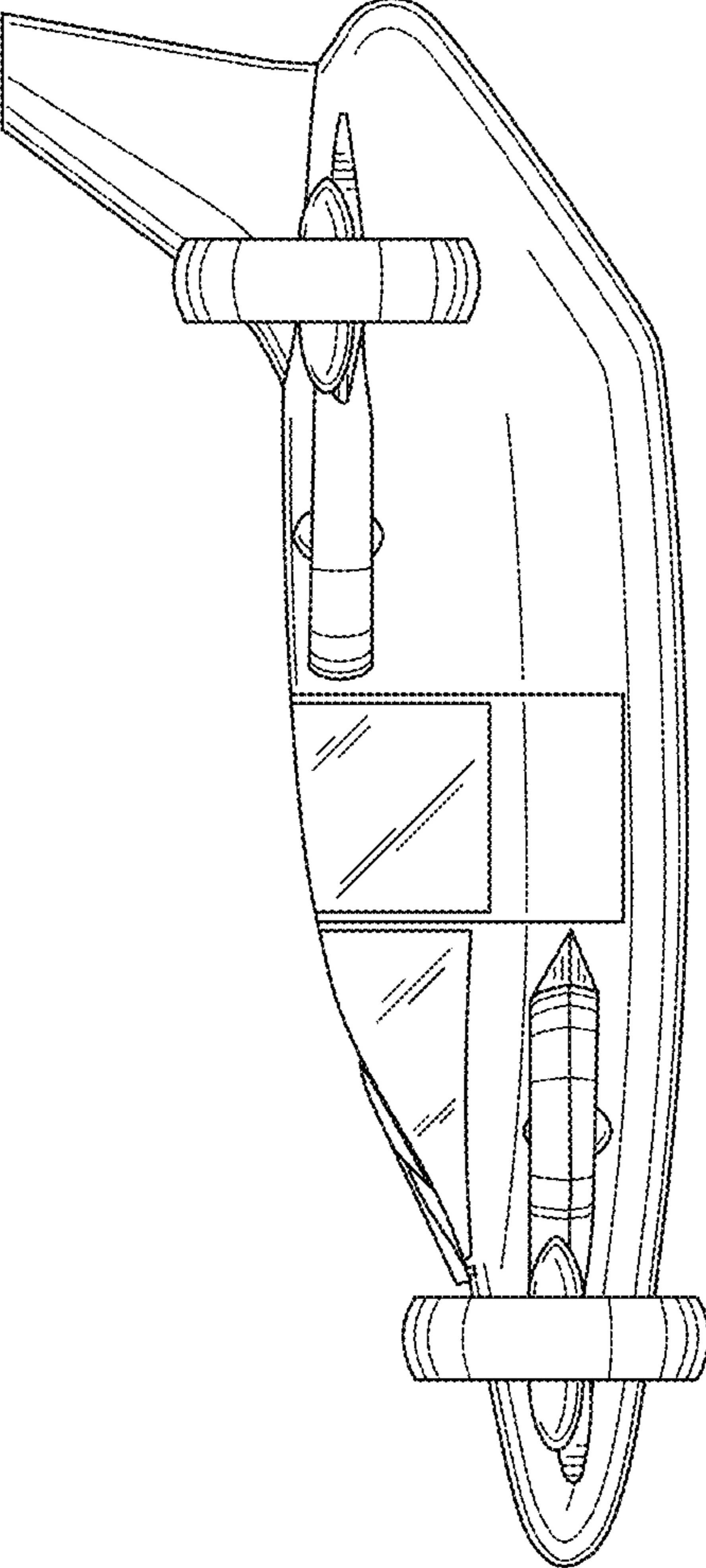


Fig. 6

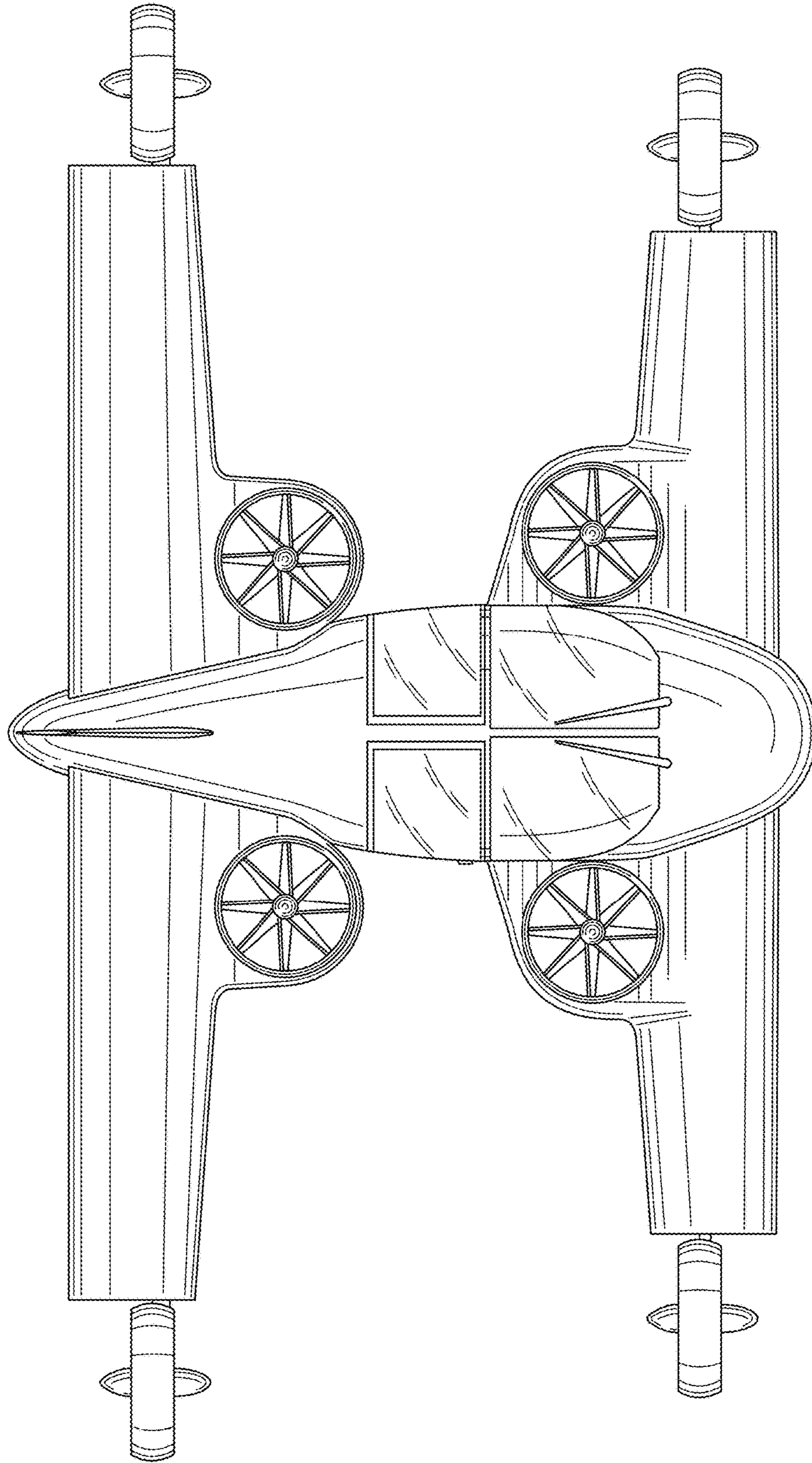


Fig. 7

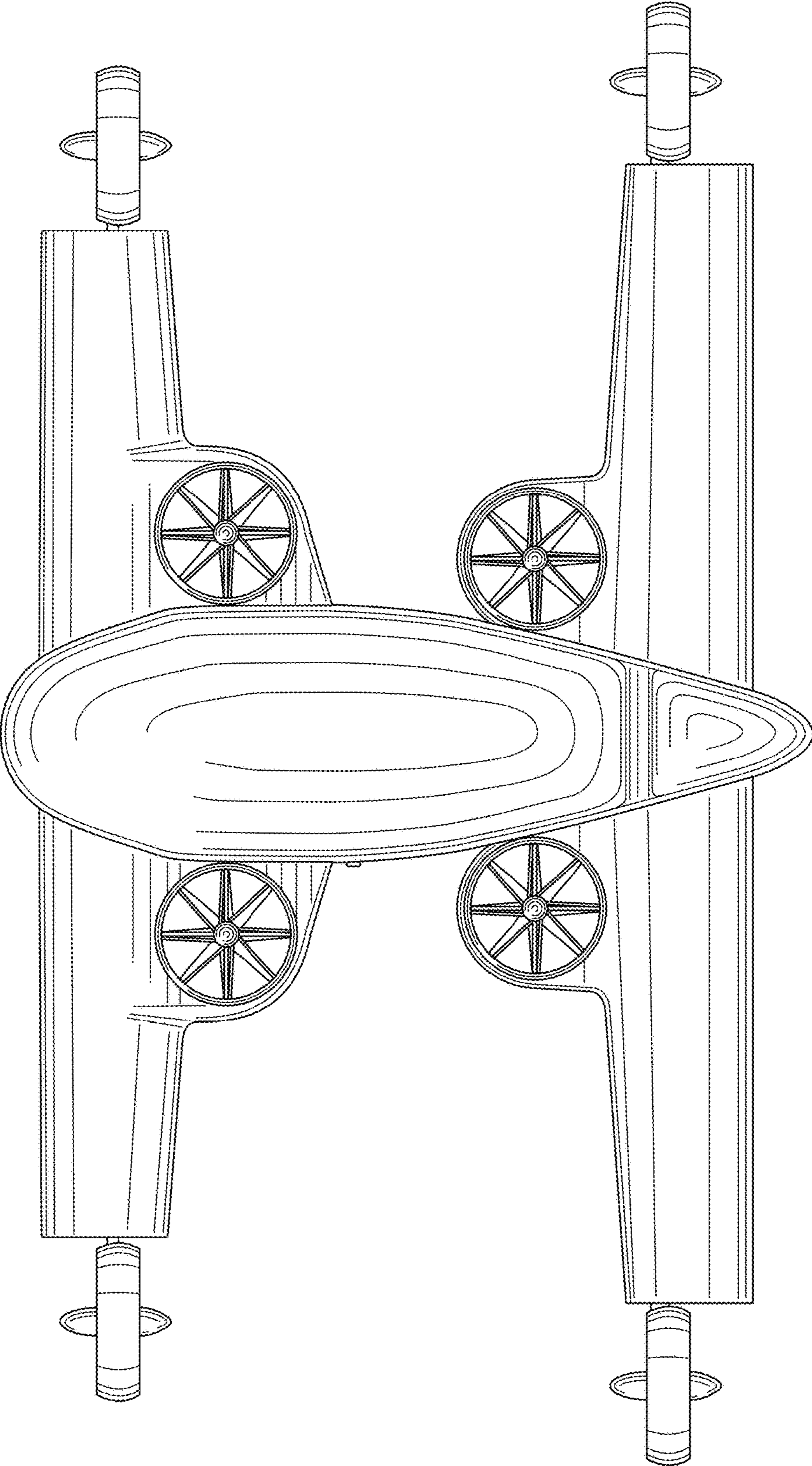


Fig. 8

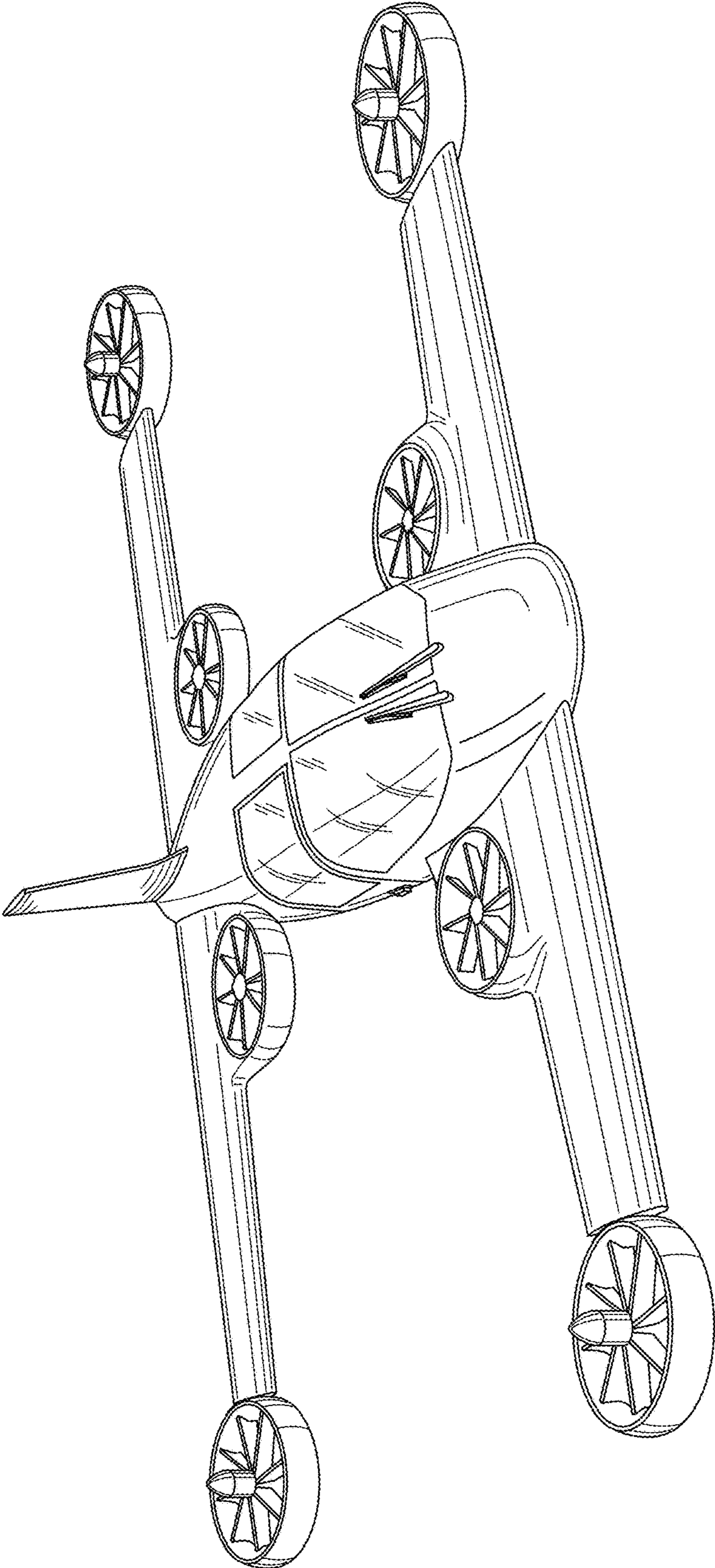


Fig. 9

