



US00D816582S

(12) **United States Design Patent** (10) **Patent No.:** **US D816,582 S**
Liang et al. (45) **Date of Patent:** **** May 1, 2018**

(54) **AERIAL VEHICLE**

(71) Applicant: **SZ DJI Technology Co., Ltd.**,
Shenzhen (CN)

(72) Inventors: **Bo Liang**, Shenzhen (CN); **Li Qiu**,
Shenzhen (CN)

(73) Assignee: **SZ DJI Technology Co., Ltd.**,
Shenzhen (CN)

(**) Term: **15 Years**

(21) Appl. No.: **29/595,105**

(22) Filed: **Feb. 24, 2017**

(51) **LOC (11) Cl.** **12-07**

(52) **U.S. Cl.**
USPC **D12/328**

(58) **Field of Classification Search**
USPC D12/3, 16.1, 319-345; D21/436-455
CPC B64C 39/024; B64C 2201/108
See application file for complete search history.

(56) **References Cited**

U.S. PATENT DOCUMENTS

D197,038 S *	12/1963	Howard	D12/329
D465,196 S *	11/2002	Dammar	D12/328
D628,658 S *	12/2010	Wurm	D21/442
D741,779 S *	10/2015	Hsiao	D12/16.1
D751,491 S *	3/2016	Chen	D12/16.1
D759,764 S *	6/2016	Lai	D12/16.1
D780,062 S *	2/2017	Wu	D12/16.1
D798,961 S *	10/2017	Li	D21/441
D800,016 S *	10/2017	Huang	D12/16.1
2012/0083945 A1 *	4/2012	Oakley	B64C 27/08 701/2
2015/0321755 A1 *	11/2015	Martin	B64C 27/50 244/17.23
2016/0068266 A1 *	3/2016	Carroll	B64C 11/20 244/53 R
2016/0236777 A1 *	8/2016	Tang	B64C 39/024
2017/0129601 A1 *	5/2017	Babel	B64C 27/08

2017/0133771 A1 *	5/2017	Xiao	H01R 4/38
2017/0210470 A1 *	7/2017	Pardell	B64C 39/024
2017/0253332 A1 *	9/2017	Champagne, Jr.	B64C 39/024
2017/0269609 A1 *	9/2017	Bradlow	G05D 1/102
2017/0274983 A1 *	9/2017	Beckman	B64C 11/48
2017/0285092 A1 *	10/2017	Moore	G01R 31/1218
2017/0295069 A1 *	10/2017	Sweet, III	H04L 41/12
2017/0297445 A1 *	10/2017	Zheng	B60L 11/1835
2017/0297707 A1 *	10/2017	Rollefstad	B64C 39/024

OTHER PUBLICATIONS

DJI Introduces M200 Series Drones Built for Enterprise Solutions by DJI dated Feb. 26, 2017. found online [Dec. 15, 2017] <https://www.dji.com/newsroom/news/dji-introduces-m200-series-drones-built-for-enterprise-solutions>.*

* cited by examiner

Primary Examiner — Robert M. Spear
Assistant Examiner — Marissa J Cash

(74) *Attorney, Agent, or Firm* — Sterne, Kessler,
Goldstein & Fox P.L.L.C.

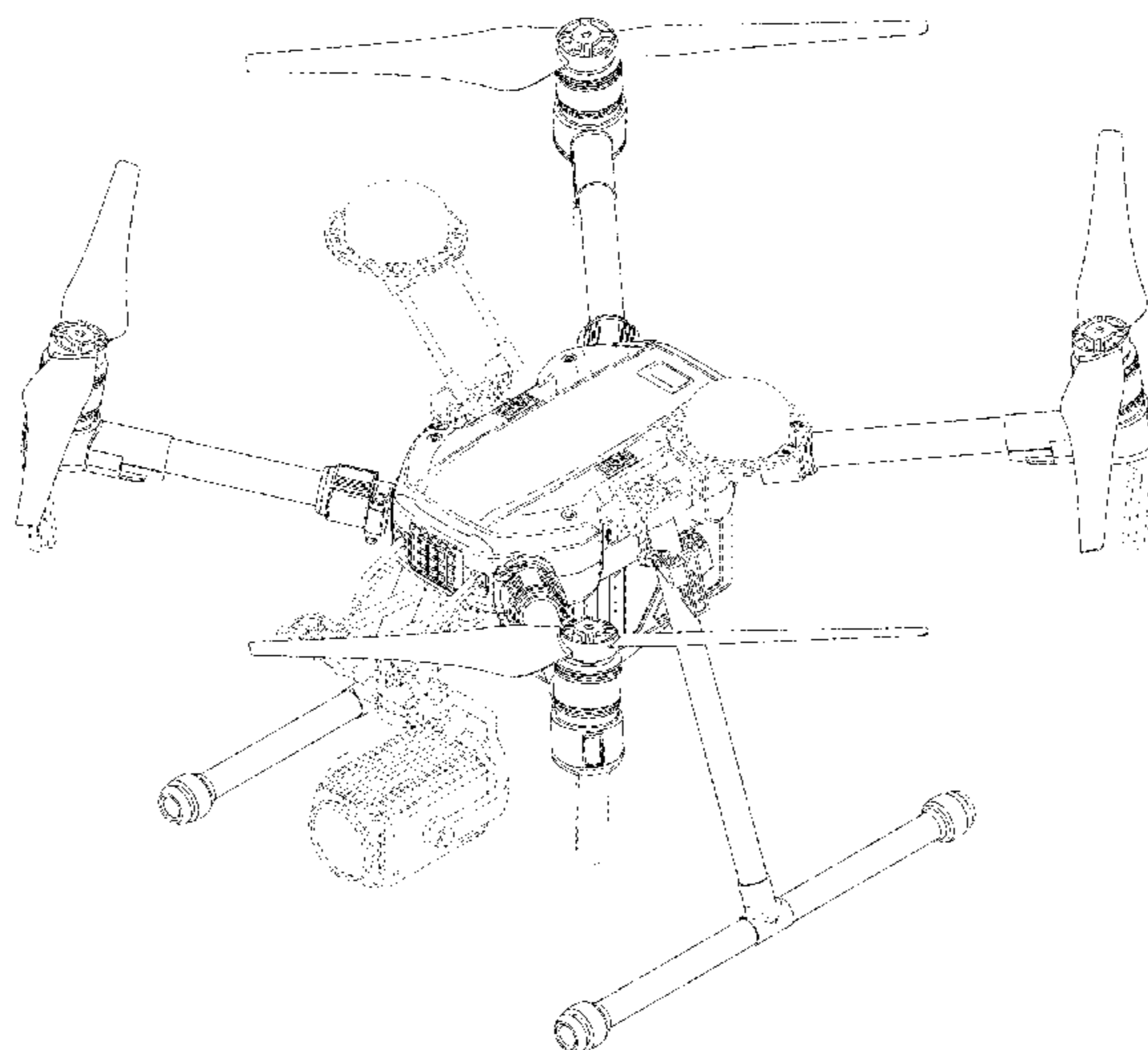
(57) **CLAIM**

The ornamental design for an aerial vehicle, as shown and described.

DESCRIPTION

FIG. 1 is a top front perspective view of an aerial vehicle showing the claimed design;
FIG. 2 is a bottom rear perspective view thereof;
FIG. 3 is a front view thereof;
FIG. 4 is a rear view thereof;
FIG. 5 is a left side view thereof;
FIG. 6 is a right side view thereof;
FIG. 7 is a top view thereof; and,
FIG. 8 is a bottom view thereof.
The broken lines in the figures show portions of the aerial vehicle that form no part of the claimed design.

1 Claim, 8 Drawing Sheets



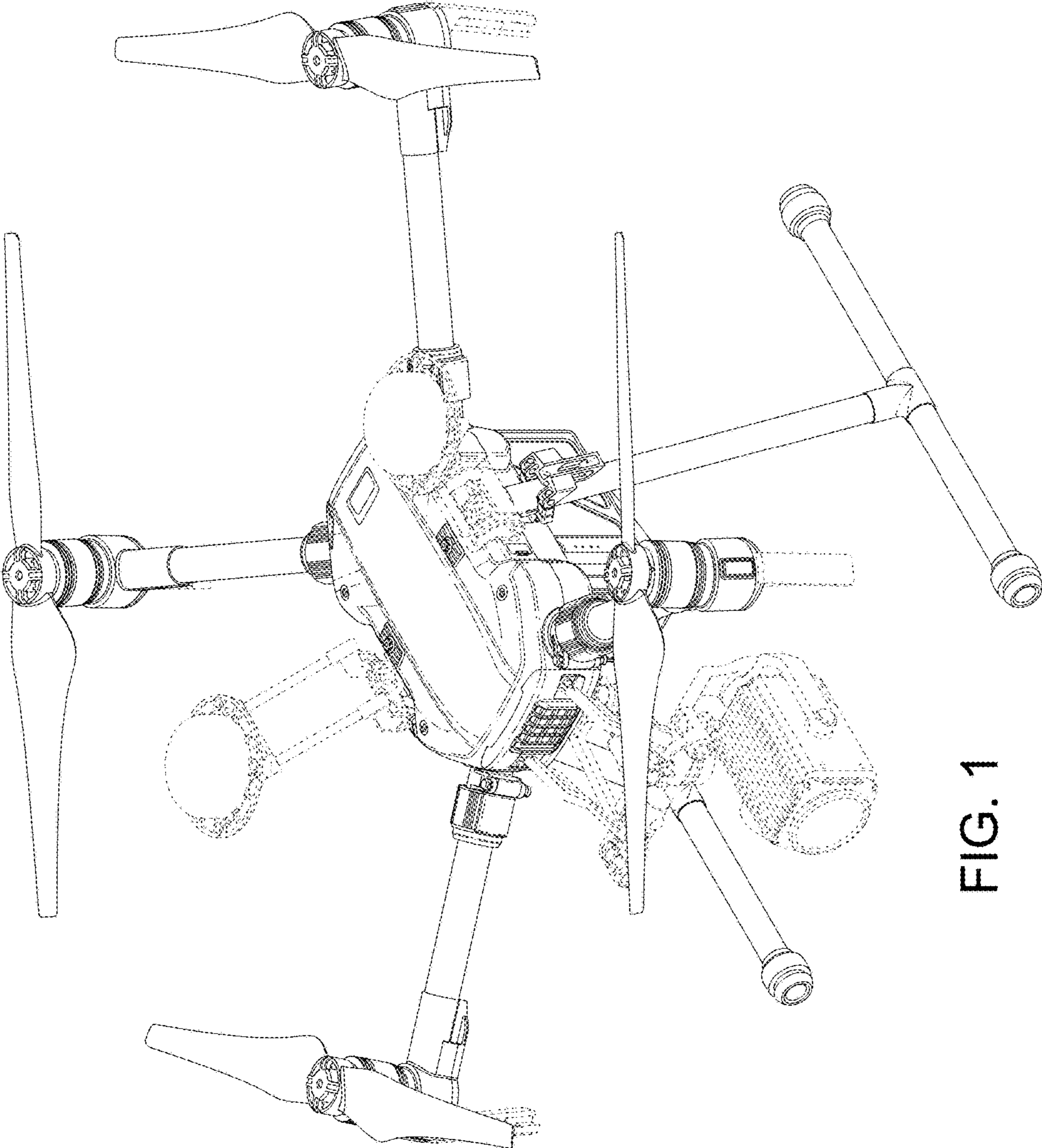


FIG. 1

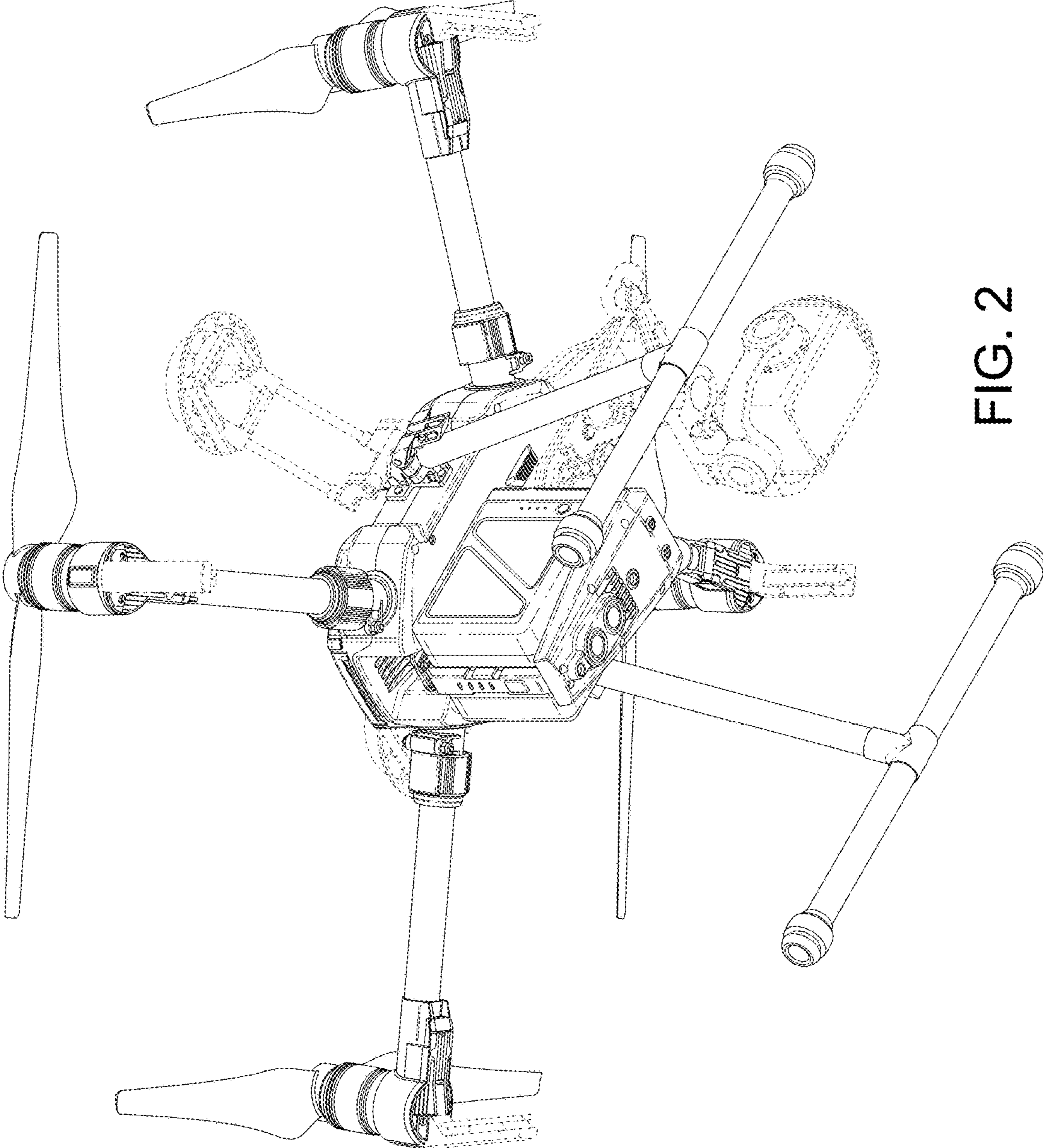


FIG. 2

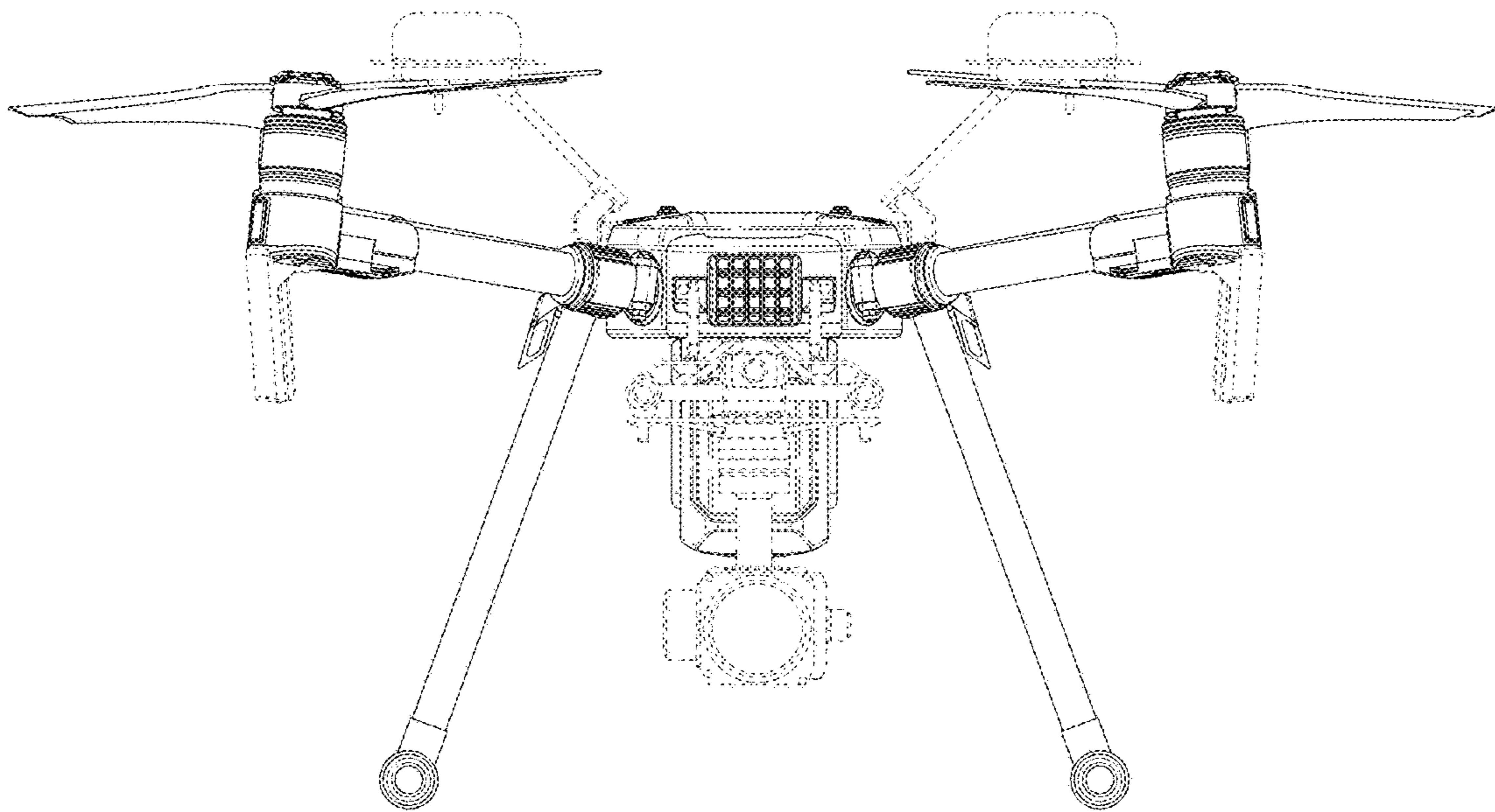


FIG. 3

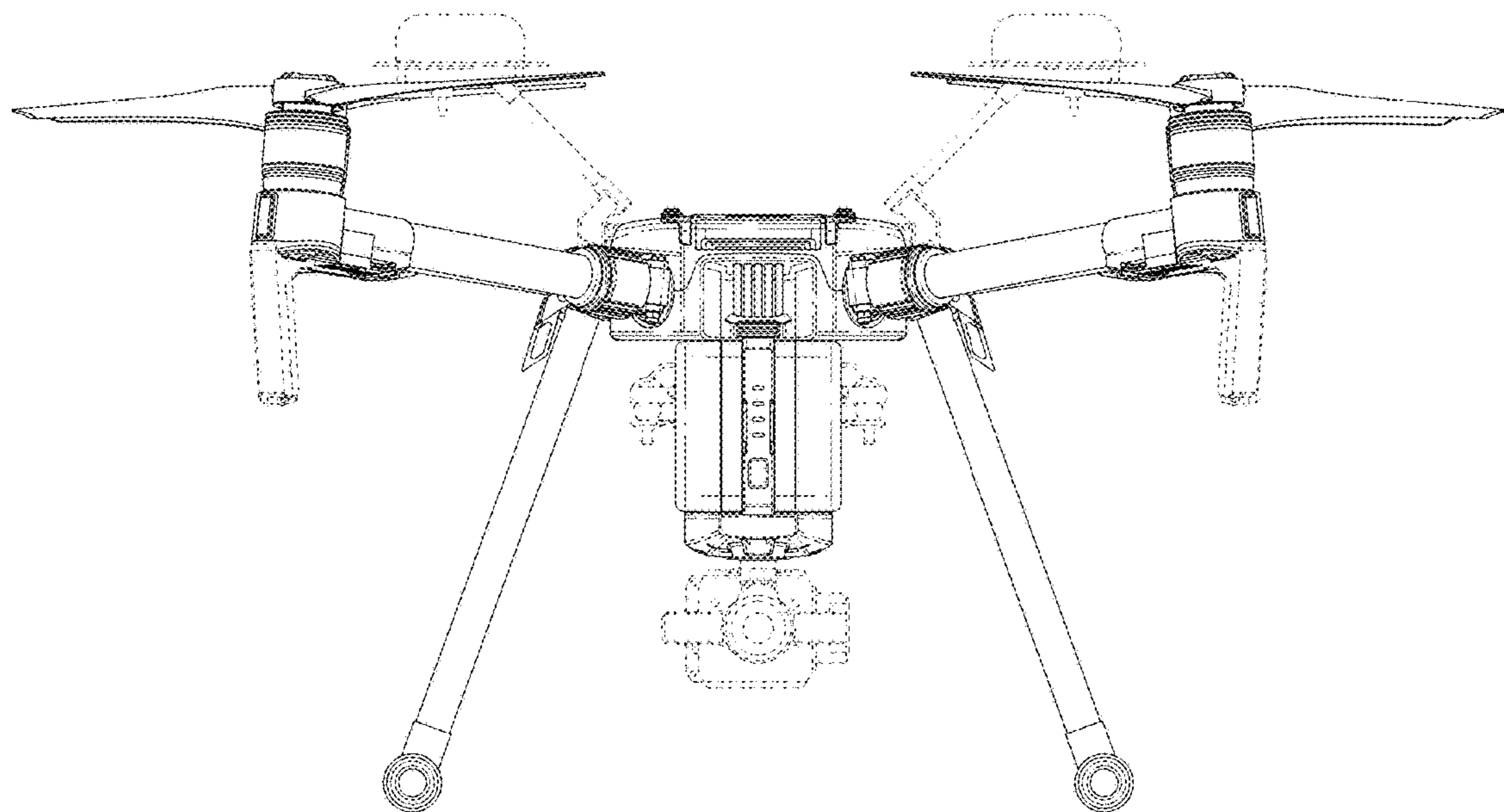


FIG. 4

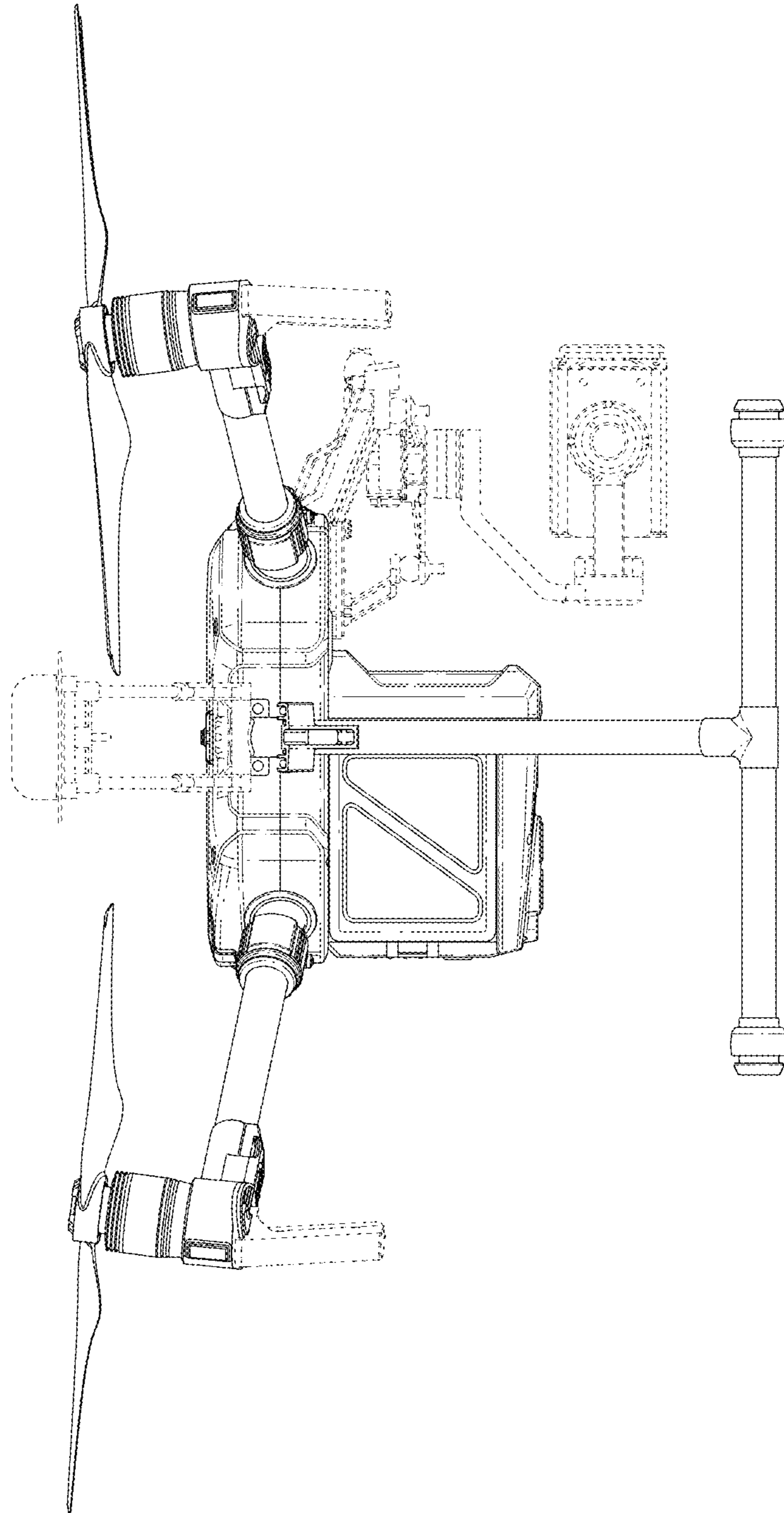


FIG. 5

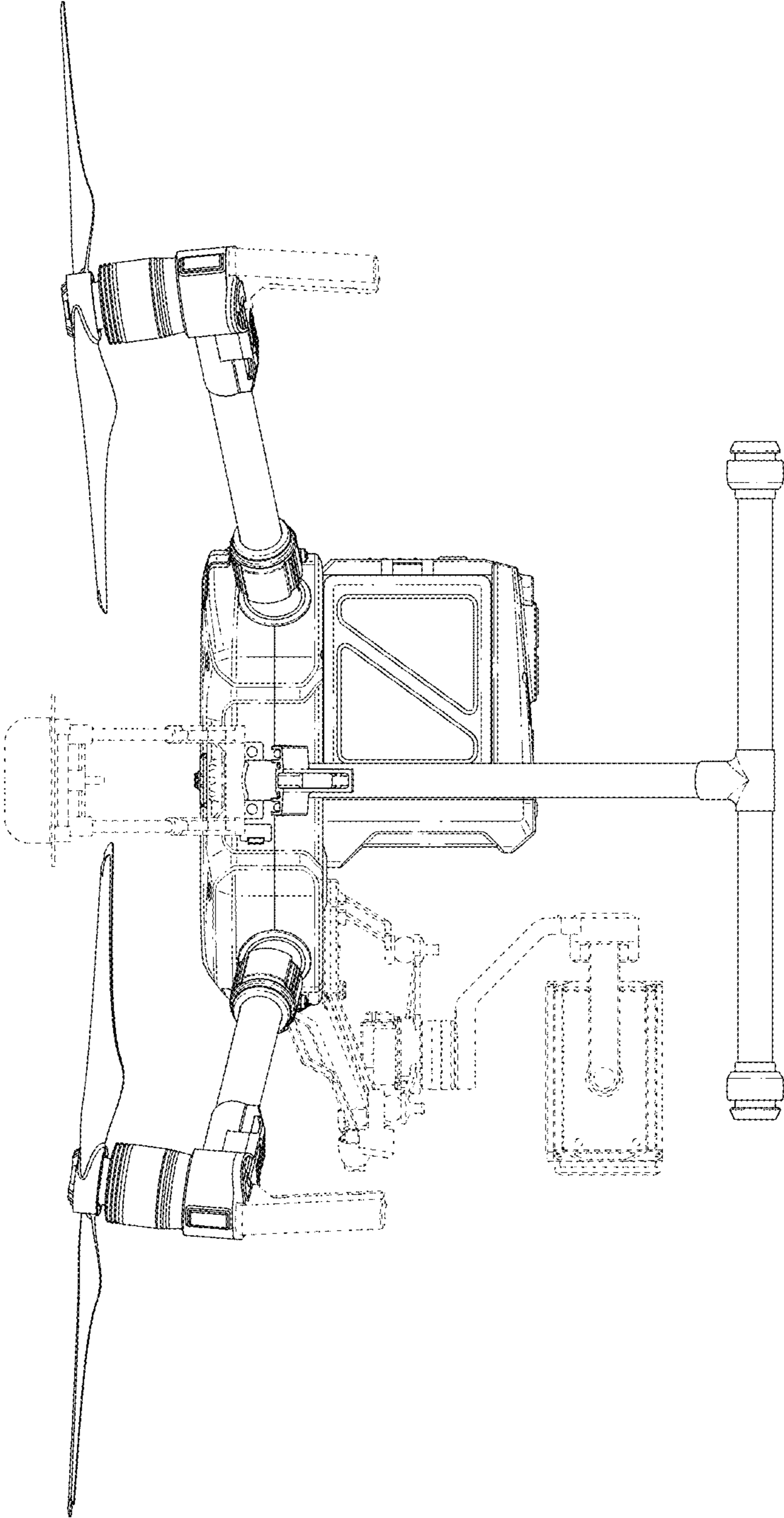


FIG. 6

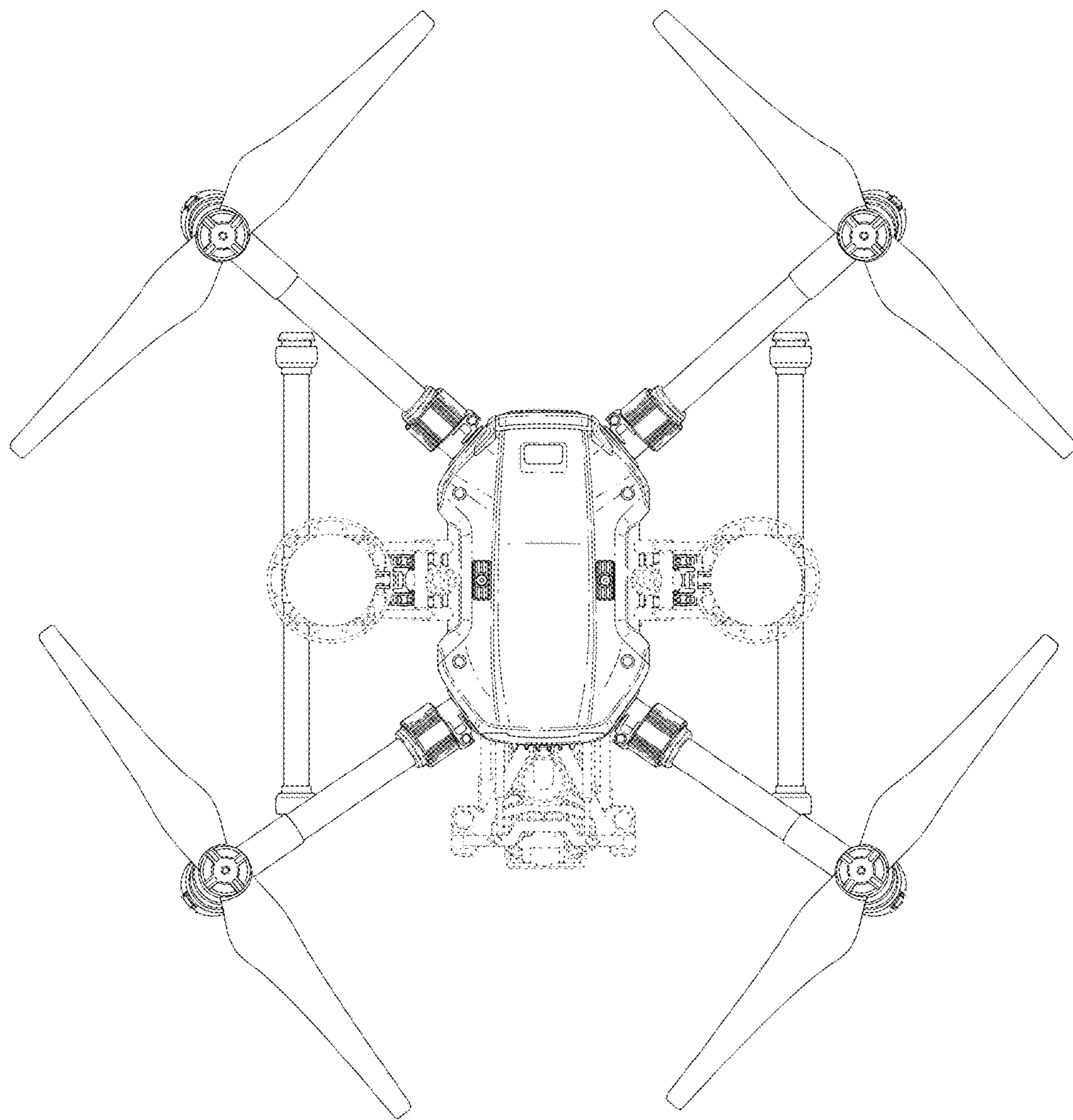


FIG. 7

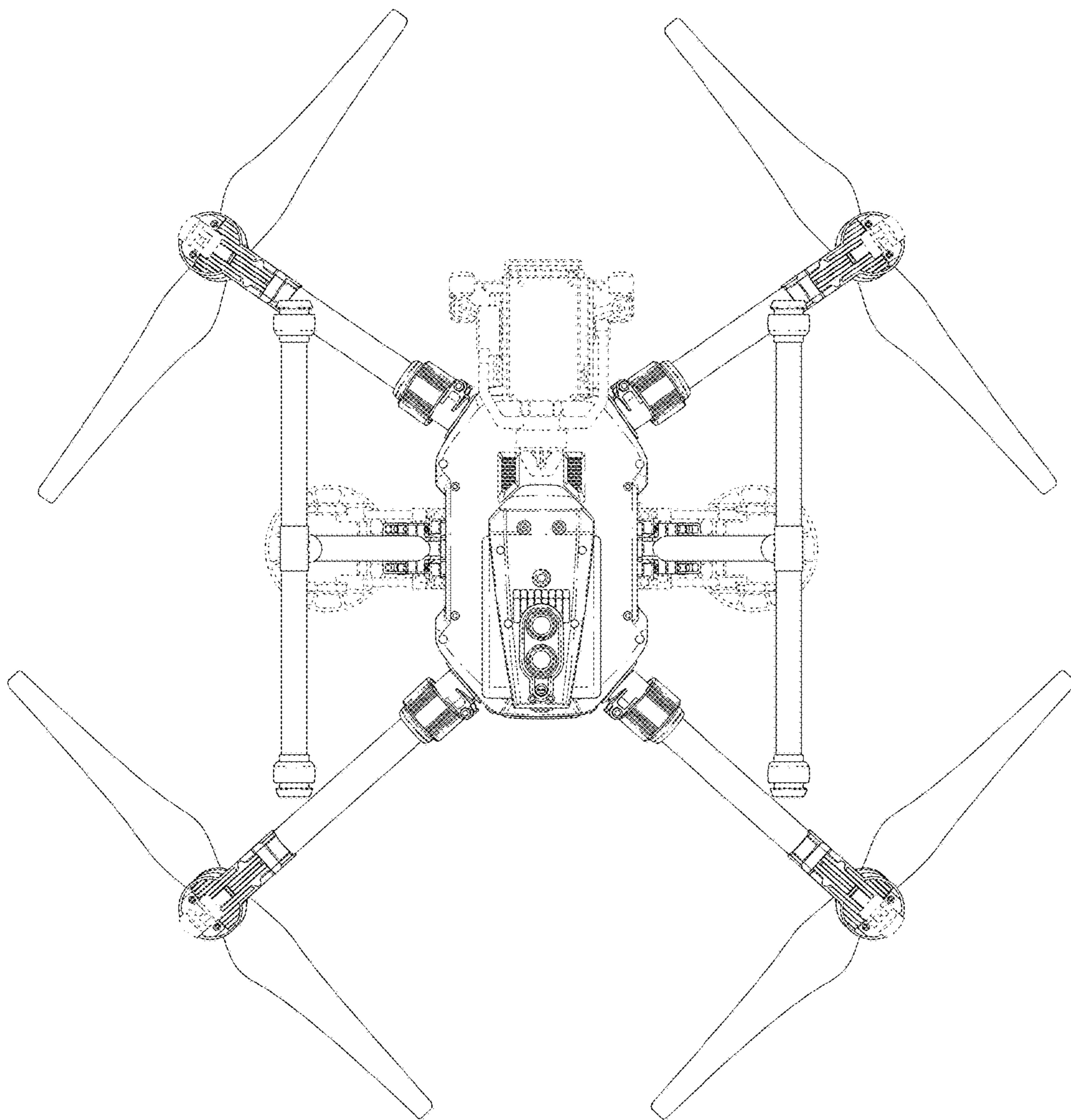


FIG. 8