



US00D816580S

(12) **United States Design Patent**  
**Tingey**

(10) **Patent No.:** **US D816,580 S**

(45) **Date of Patent:** **\*\* May 1, 2018**

- (54) **STERN OF A RAFT**
- (71) Applicant: **ALPACKA RAFT LLC**, Mancos, CO (US)
- (72) Inventor: **Sheri Lynn Tingey**, Mancos, CO (US)
- (73) Assignee: **ALPACKA RAFT LLC**, Mancos, CO (US)

- 5,651,328 A \* 7/1997 Elkington ..... B63B 7/082  
114/345
- 5,960,734 A \* 10/1999 Monlezun ..... F16B 3/005  
114/345
- 6,012,410 A \* 1/2000 Monlezun ..... B63B 7/082  
114/345
- D421,085 S \* 2/2000 Fife ..... D21/801
- 6,520,107 B1 \* 2/2003 Hickok ..... B63B 1/04  
114/355

(Continued)

(\*\*) Term: **15 Years**

(21) Appl. No.: **29/596,853**

(22) Filed: **Mar. 10, 2017**

(51) **LOC (11) Cl.** ..... **12-06**

(52) **U.S. Cl.**  
USPC ..... **D12/316**

(58) **Field of Classification Search**  
USPC ..... D12/300, 316; D21/803, 808–810;  
441/40, 41, 42; 114/345  
CPC ..... B63B 7/08; B63B 7/082; B63B 7/085  
See application file for complete search history.

(56) **References Cited**

U.S. PATENT DOCUMENTS

- 1,672,473 A \* 6/1928 Scheibert ..... B63B 7/08  
114/345
- 2,370,069 A \* 2/1945 Patten ..... B63B 7/08  
114/345
- D151,468 S \* 10/1948 Potts et al. .... 114/345
- 3,935,607 A \* 2/1976 Cantwell ..... B63B 7/08  
114/345
- 4,063,320 A \* 12/1977 Neumann ..... B63B 7/08  
114/345
- 4,251,893 A \* 2/1981 McCrory ..... B63B 7/08  
114/345
- 4,603,651 A \* 8/1986 Harding ..... B63B 7/082  
114/345
- 4,942,838 A \* 7/1990 Boyer ..... B63B 7/087  
114/345
- D366,303 S \* 1/1996 Polley ..... D12/316

OTHER PUBLICATIONS

Photo of various rafts—Alpacka Raft LLC Facebook Page, posted Nov. 5, 2013 [online] [site visited Jan. 5, 2018] Available from Internet: <URL:https://www.facebook.com/alpackaraftllc/photos/>.\*

(Continued)

*Primary Examiner* — Cynthia M Chin  
(74) *Attorney, Agent, or Firm* — Leber IP Law; Celia H. Leber

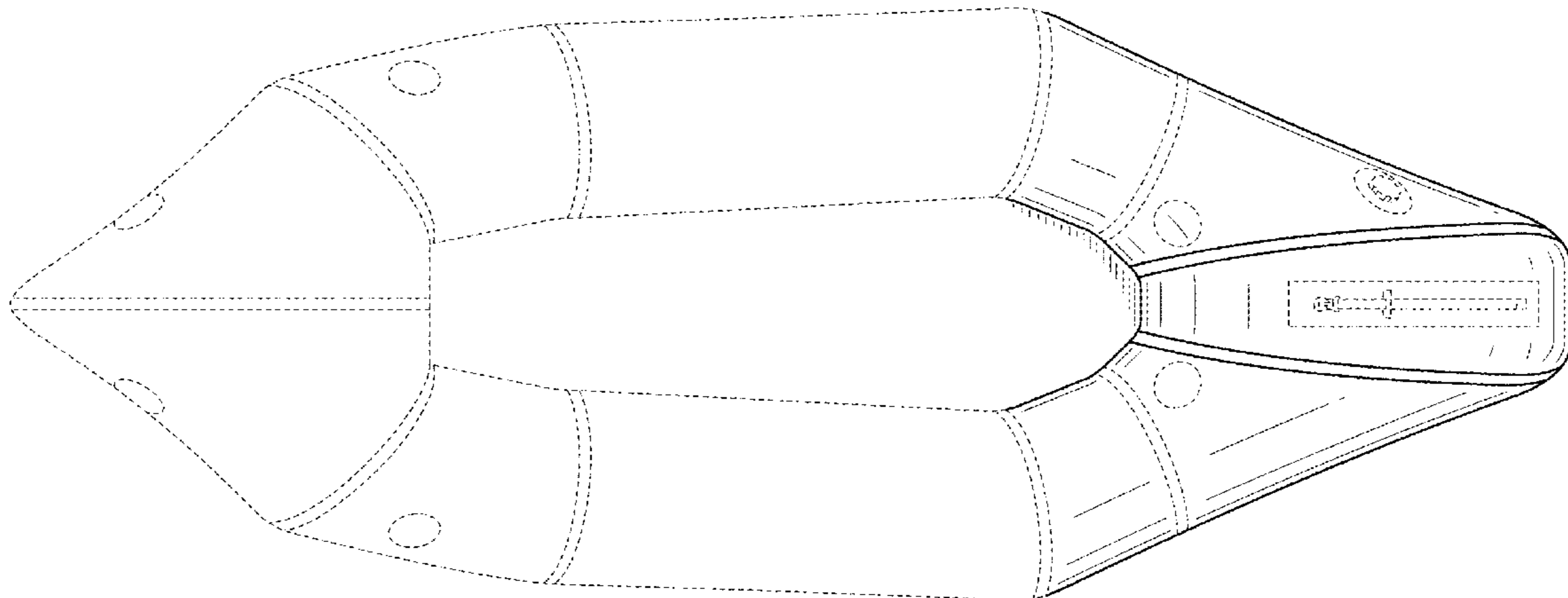
(57) **CLAIM**

What is claimed is the ornamental design for a stern of a raft, as shown and described.

**DESCRIPTION**

FIG. 1 is a top, front, and left-side perspective view of a stern of a raft, showing the new design; FIG. 2 is a top view thereof; FIG. 3 is left-side elevational view thereof; FIG. 4 is a right-side elevational view thereof; FIG. 5 is a bottom view thereof; FIG. 6 is a rear elevational view thereof; FIG. 7 is a front elevational view thereof; and, FIG. 8 is a top, rear, and right-side perspective view thereof. The broken lines represent the environment in which the article resides and forms no part of the claimed design.

**1 Claim, 7 Drawing Sheets**



(56)

**References Cited**

U.S. PATENT DOCUMENTS

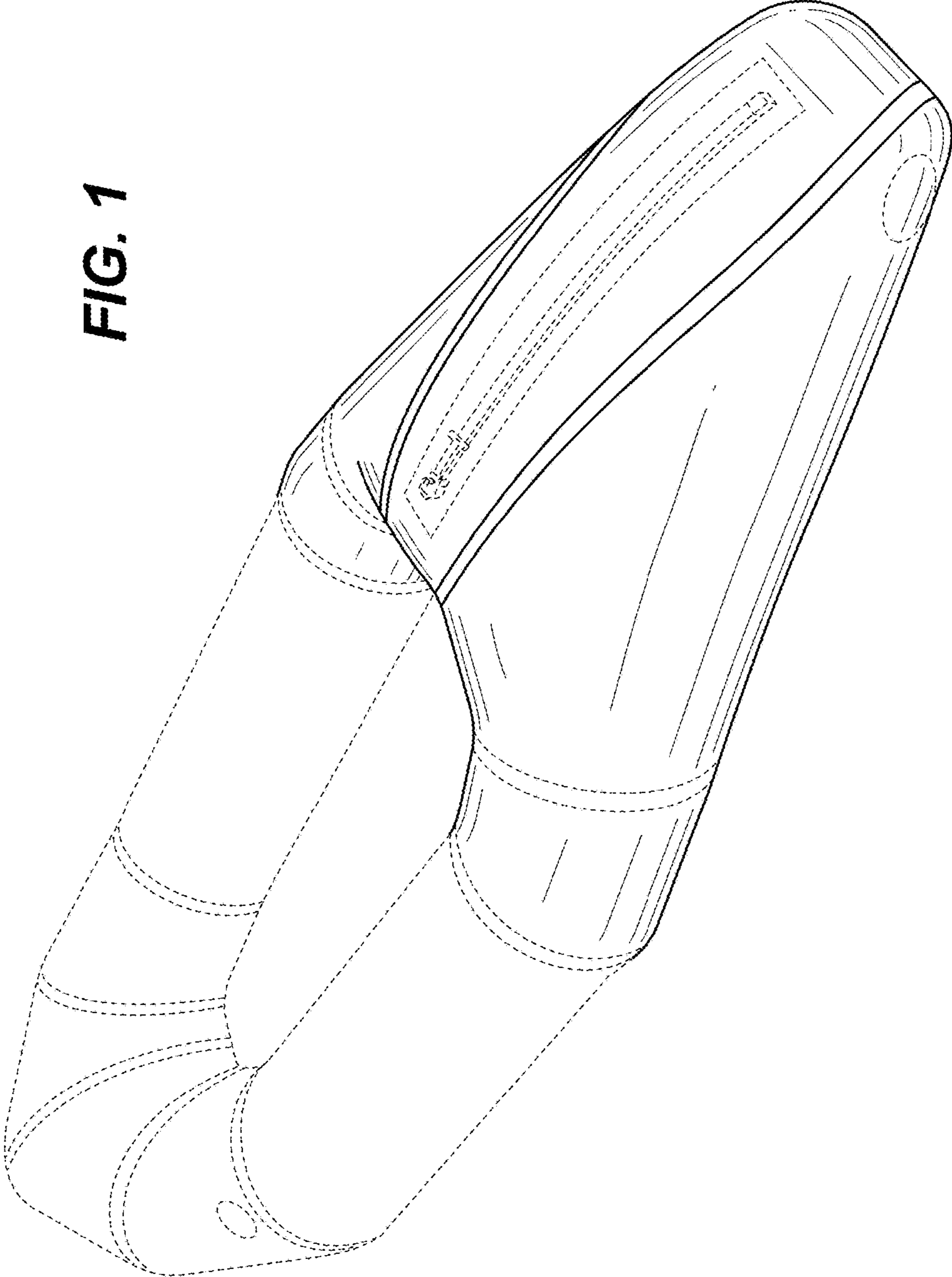
D505,653 S \* 5/2005 Watling ..... D12/316  
6,983,709 B2 \* 1/2006 Hickok ..... B63B 1/04  
114/123  
7,775,172 B2 \* 8/2010 Hansen ..... B63B 1/16  
114/123  
D633,851 S \* 3/2011 Scadden ..... D12/304  
8,286,573 B2 \* 10/2012 Hoge, Jr. .... B63B 7/08  
114/140  
D716,214 S \* 10/2014 Haller ..... D12/302  
D718,211 S \* 11/2014 Kristinsson ..... D12/317  
2004/0137808 A1 \* 7/2004 Franchetti ..... B63B 7/085  
441/40  
2006/0096517 A1 \* 5/2006 Durand ..... B63B 7/082  
114/345  
2007/0232163 A1 \* 10/2007 Larochelle ..... B63B 7/08  
441/40

OTHER PUBLICATIONS

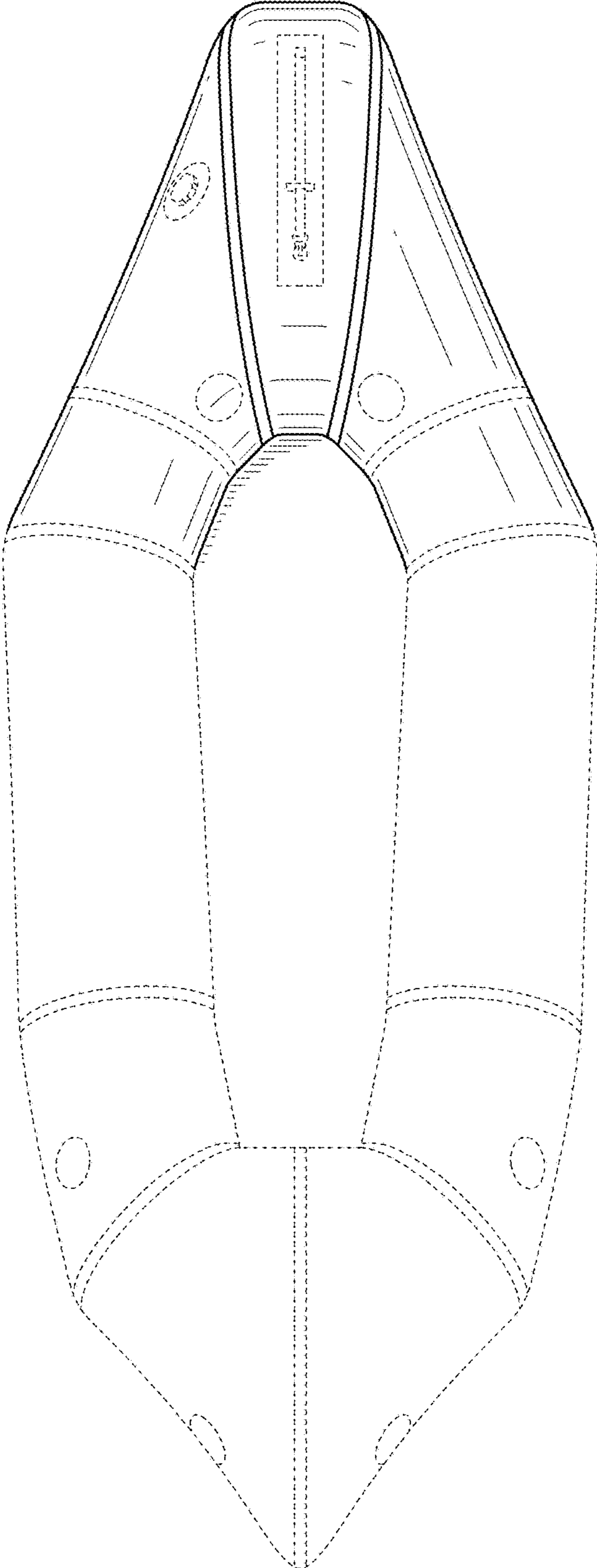
NRS Outlaw 130 Self-Bailing Rafts, <https://www.nrs.com/product/86038.01/nrs-outlaw-130-self-bailing-rafts>, downloaded Aug. 8, 2017.  
The Alpaca Raft—The One and Only, <http://www.alpackaraft.com/product/alpacka-series>, downloaded Aug. 8, 2017.

\* cited by examiner

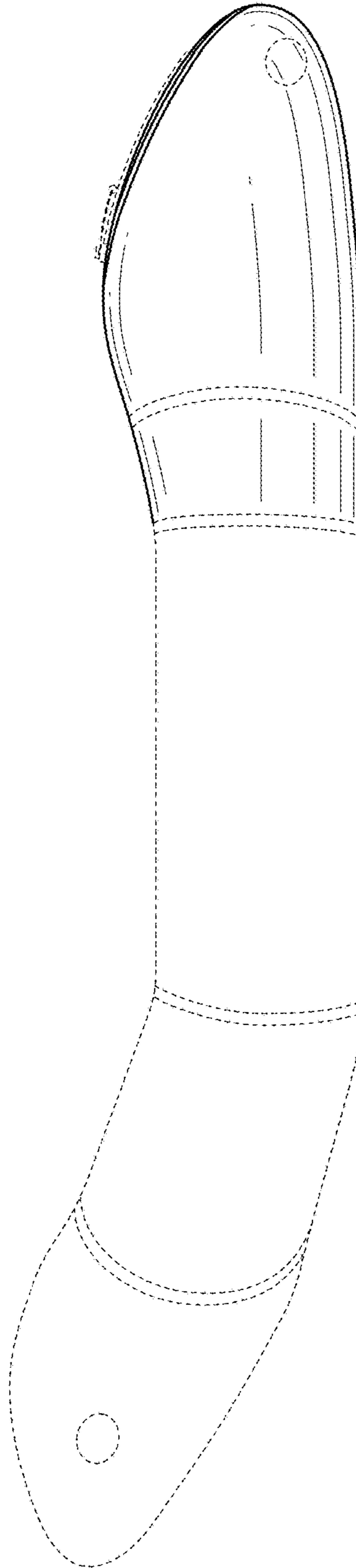
**FIG. 1**



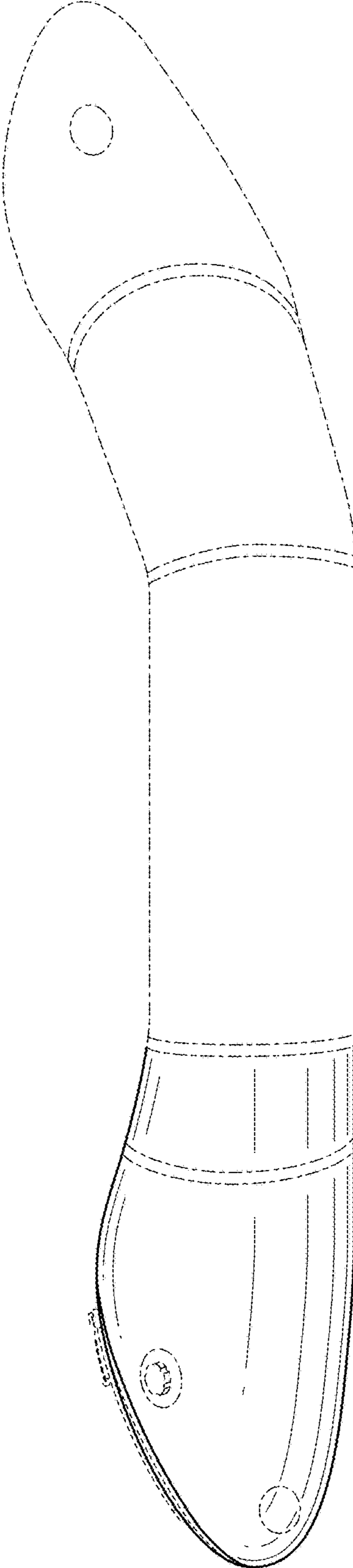
**FIG. 2**



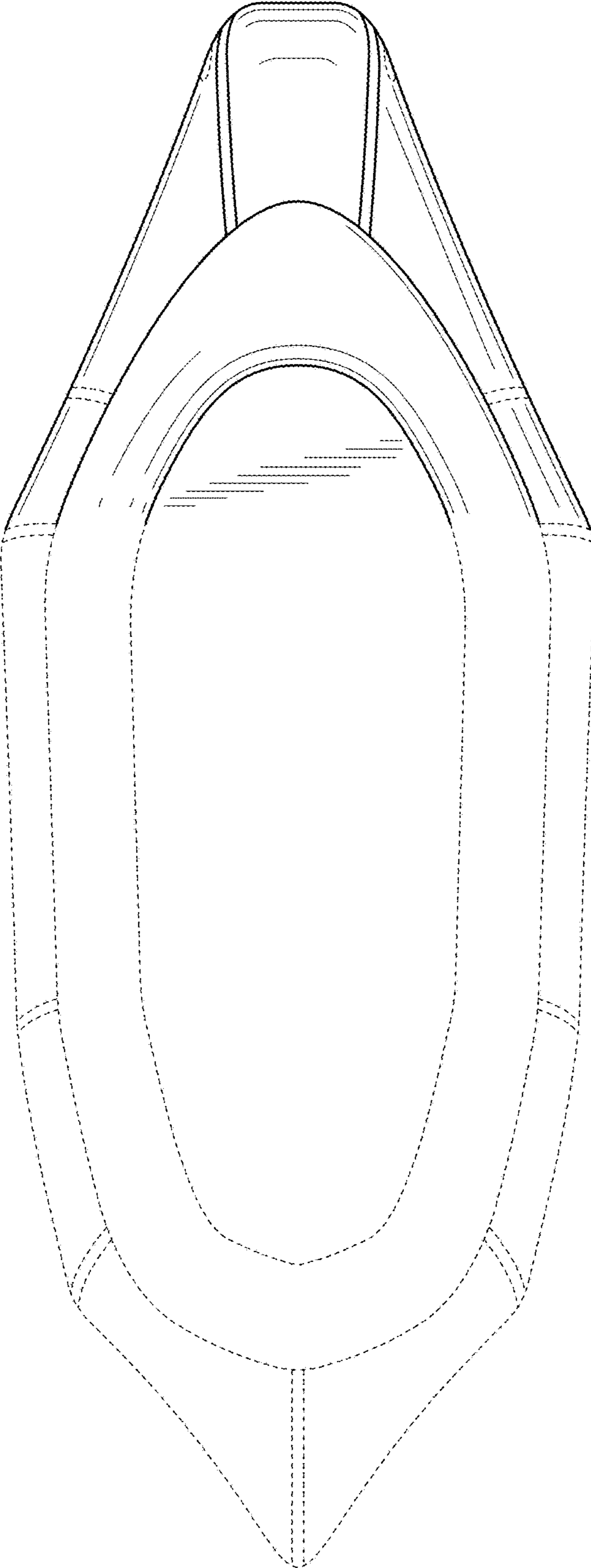
**FIG. 3**



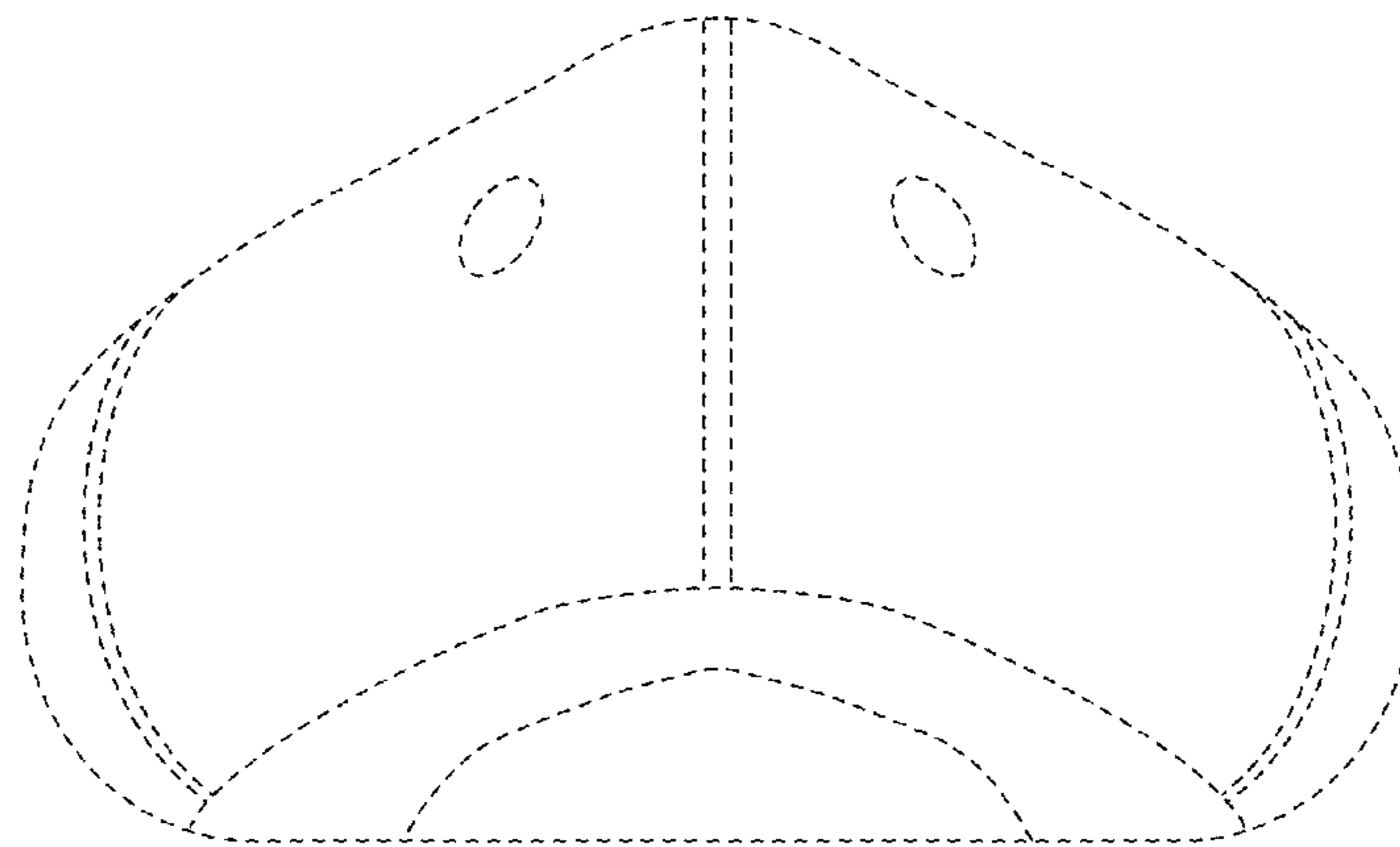
**FIG. 4**



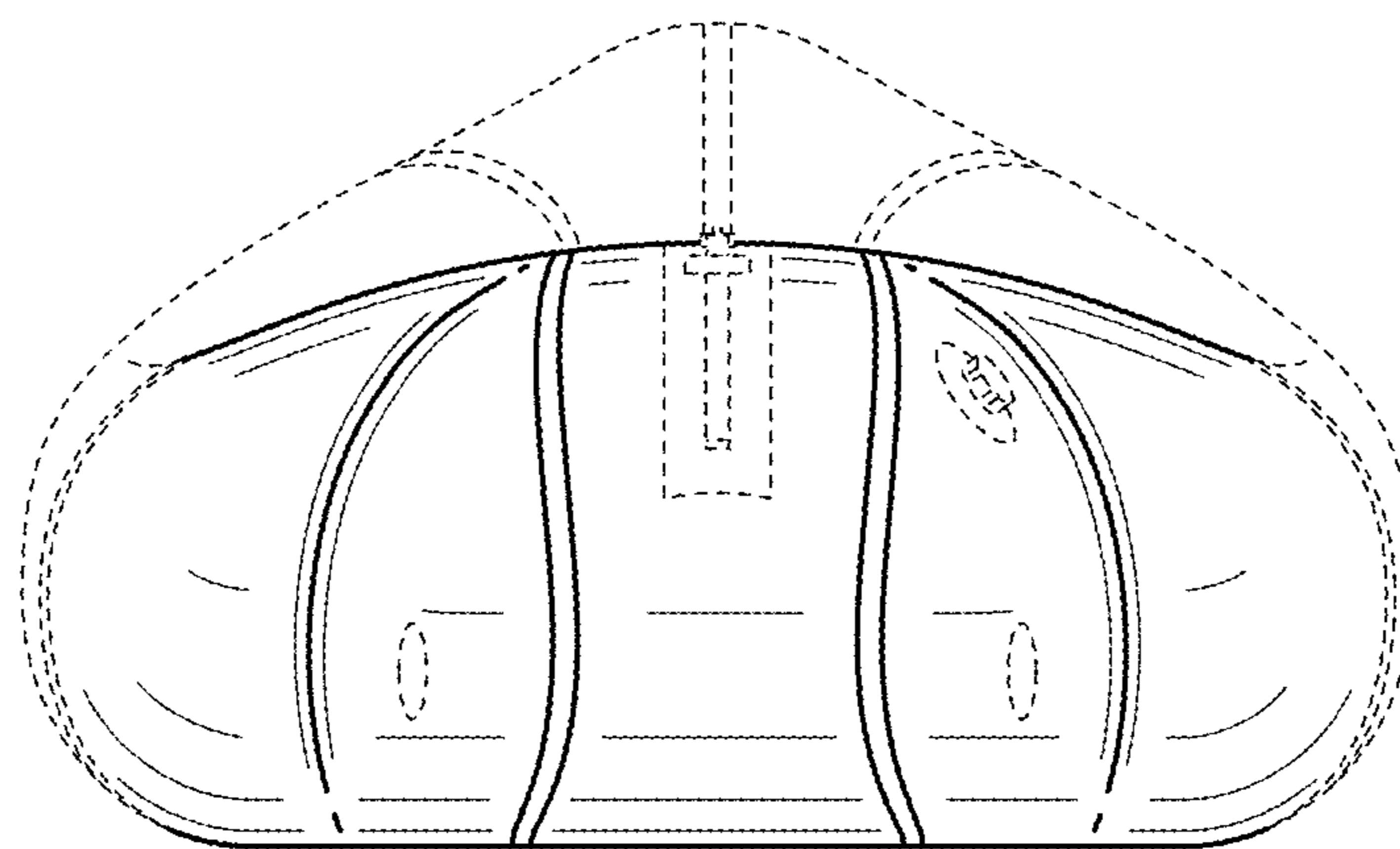
**FIG. 5**



**FIG. 6**



**FIG. 7**





**FIG. 8**

