



US00D816578S

(12) **United States Design Patent**
Watts et al.

(10) **Patent No.:** **US D816,578 S**
(45) **Date of Patent:** **** May 1, 2018**

(54) **FULL PLANING CATAMARAN**

(71) Applicants: **Charles E Watts**, Emerald Isle, NC
(US); **Barry LeRay**, Wilmington, NC
(US)

(72) Inventors: **Charles E Watts**, Emerald Isle, NC
(US); **Barry LeRay**, Wilmington, NC
(US)

(**) Term: **15 Years**

(21) Appl. No.: **29/561,920**

(22) Filed: **Apr. 21, 2016**

(51) **LOC (11) Cl.** **12-06**

(52) **U.S. Cl.**
USPC **D12/304**

(58) **Field of Classification Search**
USPC D12/300, 302-306, 308, 310, 313-314,
D12/316-318, 190, 194, 400;
D21/506-507, 533, 542-545; D23/259,
D23/266; D25/119-123, 128
CPC .. B63B 1/121; B63B 1/12; B63B 1/20; B63B
1/042; B63B 1/14; B63B 1/24; B63B
1/125; B63B 1/04; B63B 7/04; B63B
35/731; B63B 35/73; B63B 35/71; B63B
35/00; B63B 39/06; B63B 15/0083;
B63G 8/001; B63G 8/08; B63G 8/00;
B63G 2008/004; B63G 2008/005; B63G
2008/002; B21D 22/025
See application file for complete search history.

(56) **References Cited**

U.S. PATENT DOCUMENTS

D189,272 S	*	11/1960	Payne	D12/310
D192,771 S	*	5/1962	Greenberg	D12/310
D292,908 S	*	11/1987	Moar	D12/300
D310,656 S	*	9/1990	Paine, Jr.	D12/300
D313,585 S	*	1/1991	Ino	D12/300
D324,845 S	*	3/1992	Kotzebue	D12/315
D325,720 S	*	4/1992	Helmer	D12/300

D401,546 S	*	11/1998	Boris	D12/304
D402,618 S	*	12/1998	Veazey	D12/300
D413,855 S	*	9/1999	Price	D12/300

(Continued)

OTHER PUBLICATIONS

14' Catamaran Tender, posted at Directboats.com, posted on ©
2017, site visited May 9, 2017, <http://directboats.com/14cate.
html>.*

(Continued)

Primary Examiner — Barbara Fox
Assistant Examiner — Messina L Smith
(74) *Attorney, Agent, or Firm* — Carla Gannon Law

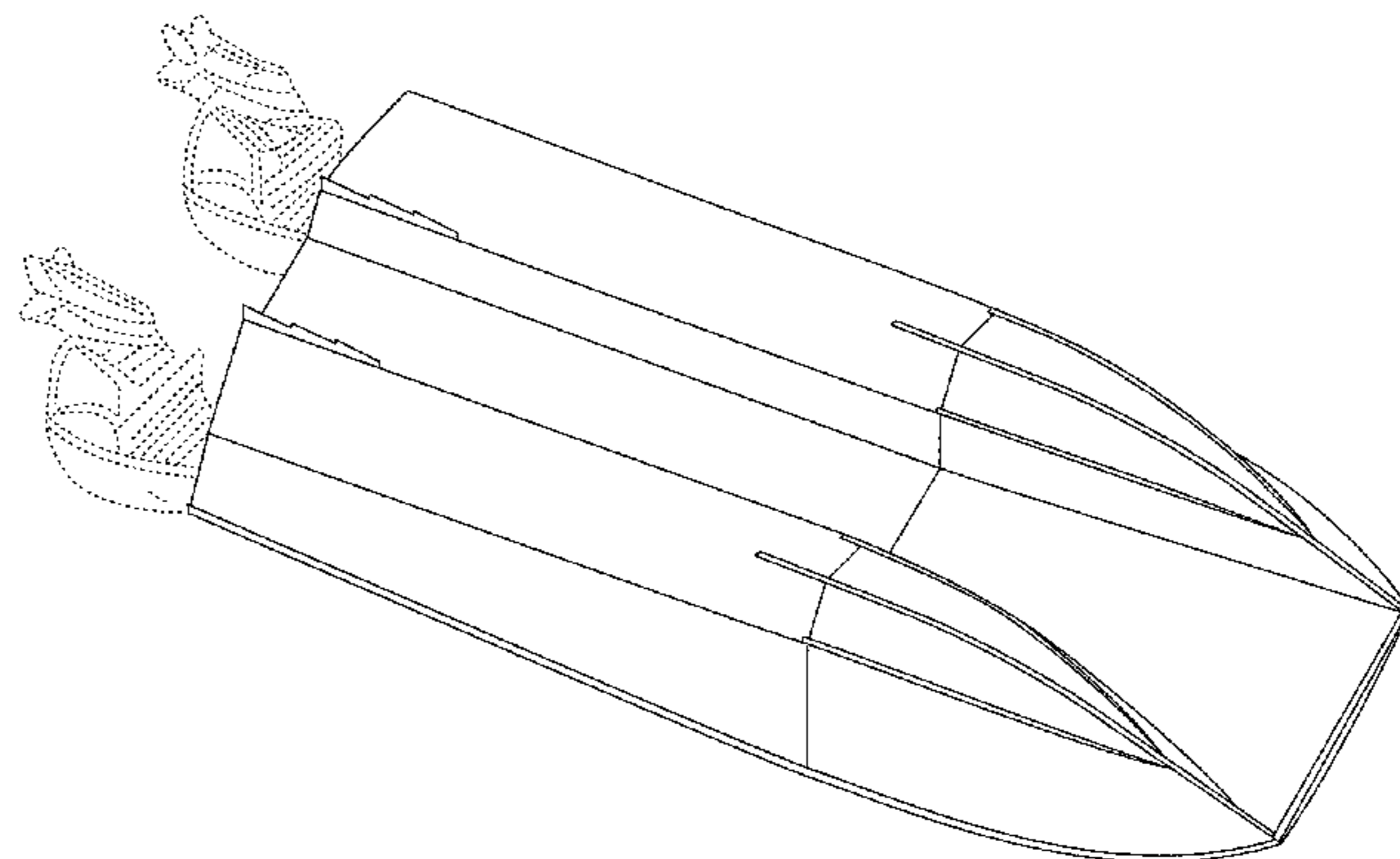
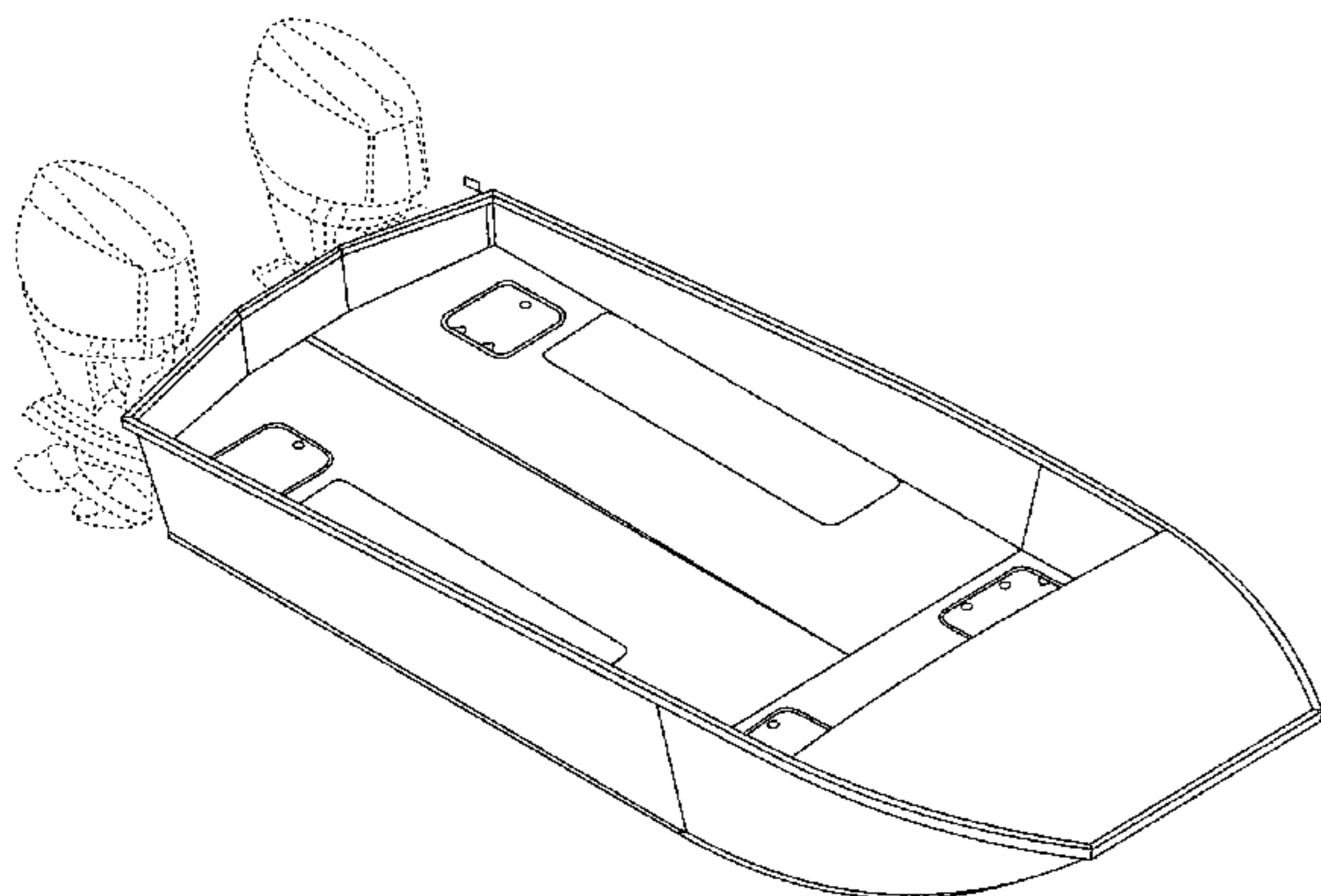
(57) **CLAIM**

We claim the ornamental design for a full planing catama-
ran, as shown and described.

DESCRIPTION

FIG. 1 is the side view of the full planing catamaran,
showing the new design;
FIG. 2 is the front view of the full planing catamaran of FIG.
1;
FIG. 3 is the bottom view of the full planing catamaran of
FIG. 1;
FIG. 4 is a perspective top view of the full planing catamaran
of FIG. 1;
FIG. 5 is a perspective bottom view of the full planing
catamaran of FIG. 1;
FIG. 6 is another perspective bottom view of the full planing
catamaran of FIG. 1;
FIG. 7 is a perspective bottom rear view of the full planing
catamaran of FIG. 6; and,
FIG. 8 is a perspective side view of the full planing
catamaran of FIG. 1.
The broken line showing of the motors in FIGS. 1-8 is for
the purpose of illustrating portions of the full planing
catamaran and forms no part of the claimed design.

1 Claim, 8 Drawing Sheets



(56)

References Cited

U.S. PATENT DOCUMENTS

D427,562 S * 7/2000 Phelan D12/300
D438,506 S * 3/2001 Munson D12/300
D595,204 S * 6/2009 Robinson D12/310
D651,551 S * 1/2012 Moore, Jr. D12/300
D739,331 S * 9/2015 Munson D12/310
D775,054 S * 12/2016 Lakin D12/300
2014/0353059 A1* 12/2014 Hou B63B 1/10
180/117
2016/0229490 A1* 8/2016 Duncan B63B 1/10

OTHER PUBLICATIONS

Small Catamaran Push: Don't Bet Against It, posted at Offshoreonly.com, posted on Oct. 23, 2012, site visited May 9, 2017, <<https://www.offshoreonly.com/articles/catamarans/small-catamaran-push-dont-bet-against-it>>.*

* cited by examiner

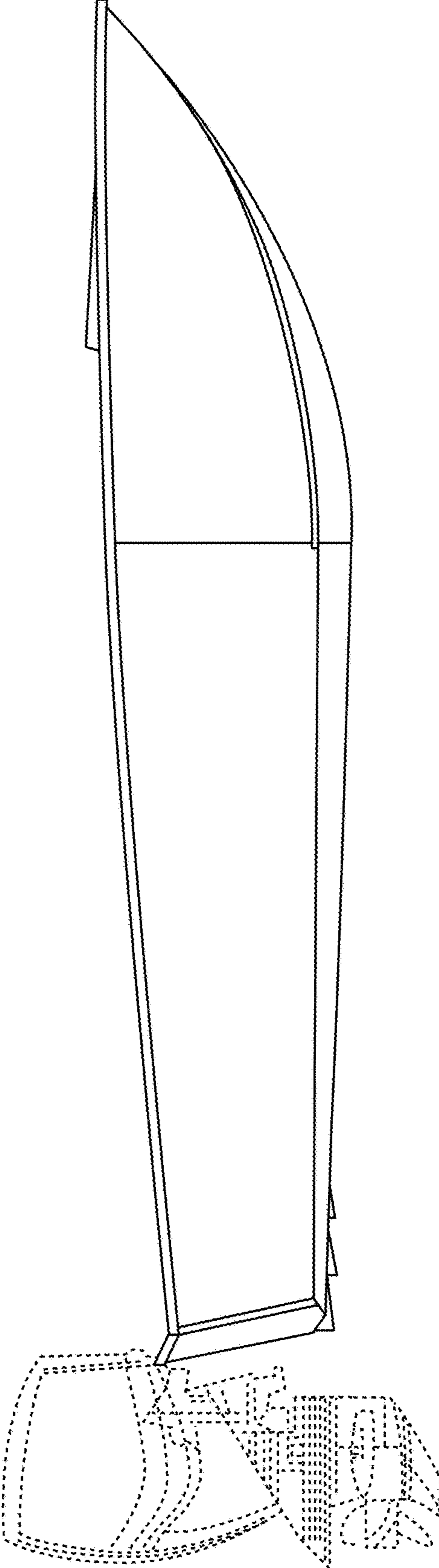


FIG. 1

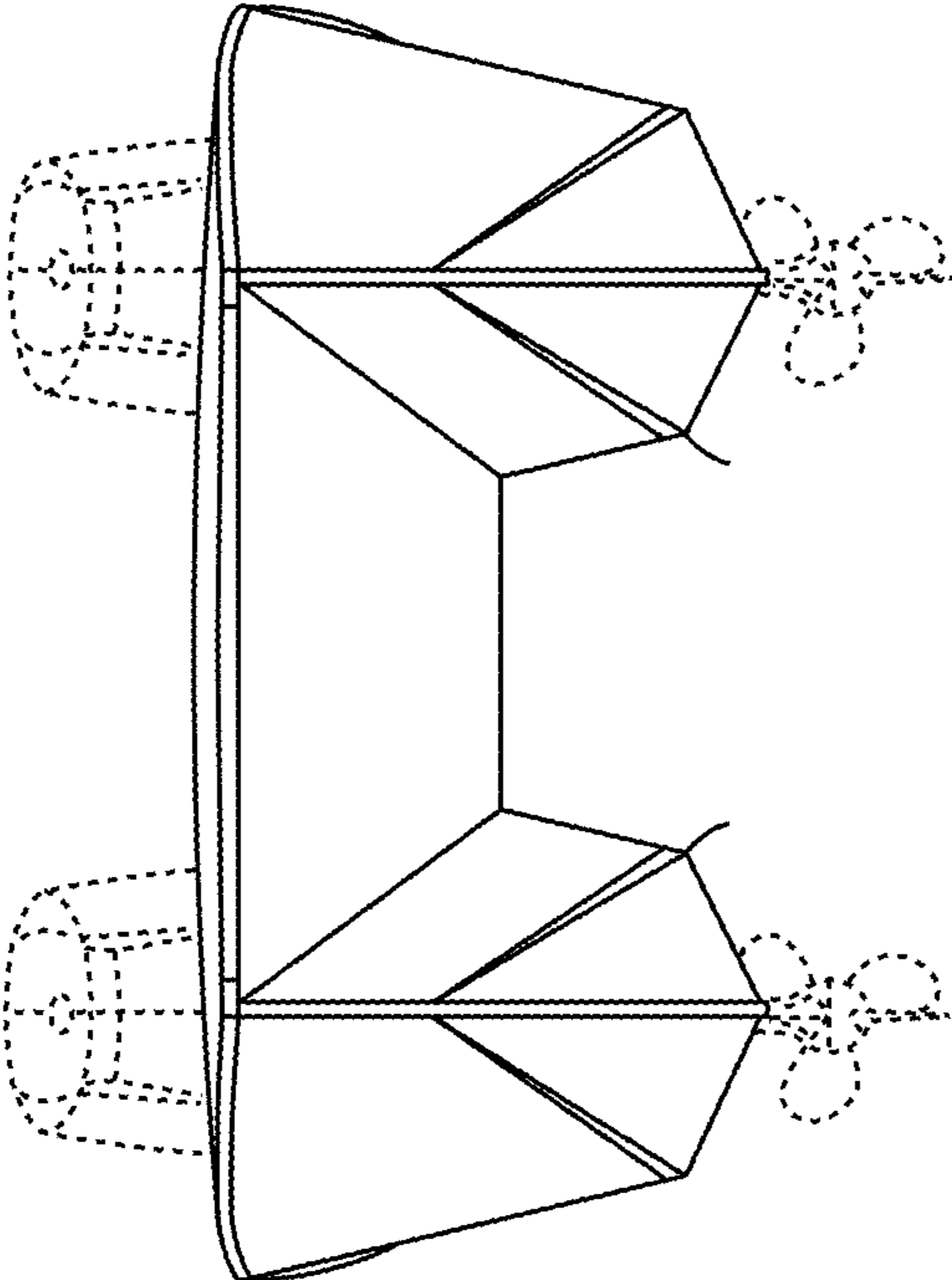


FIG. 2

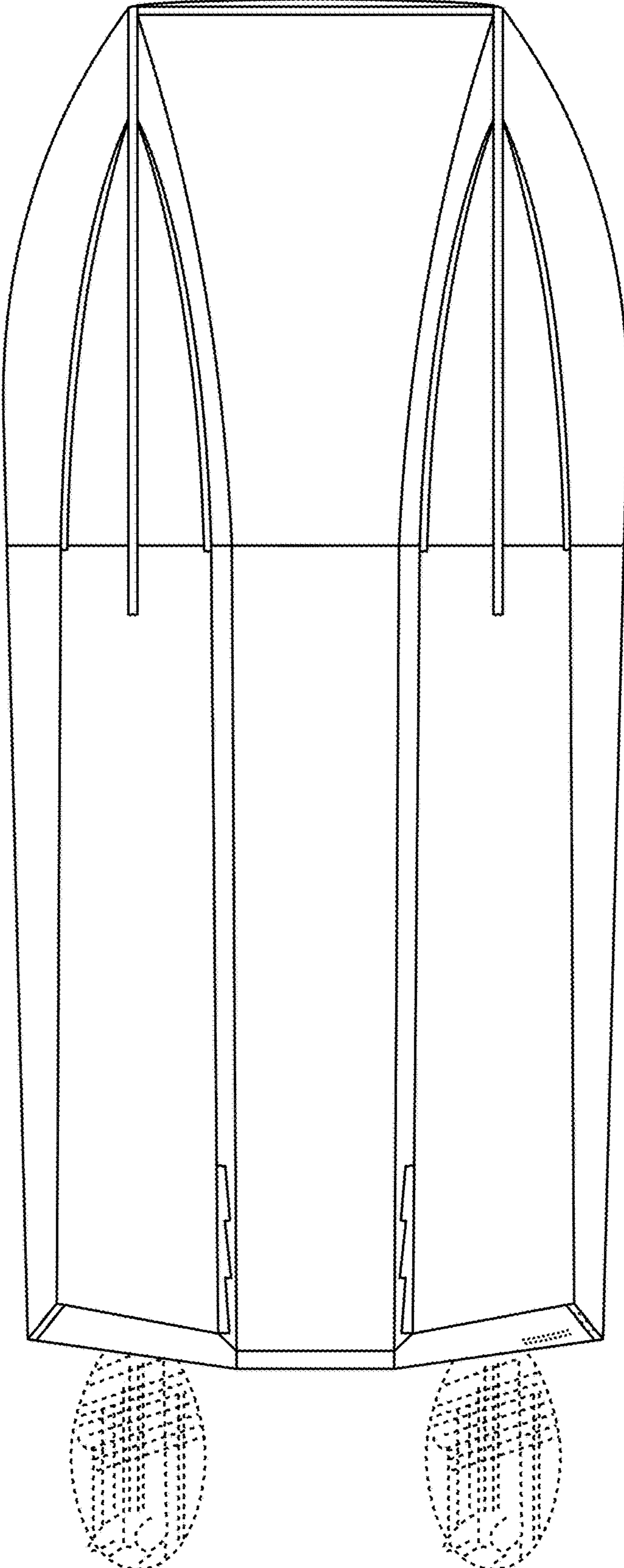


FIG. 3

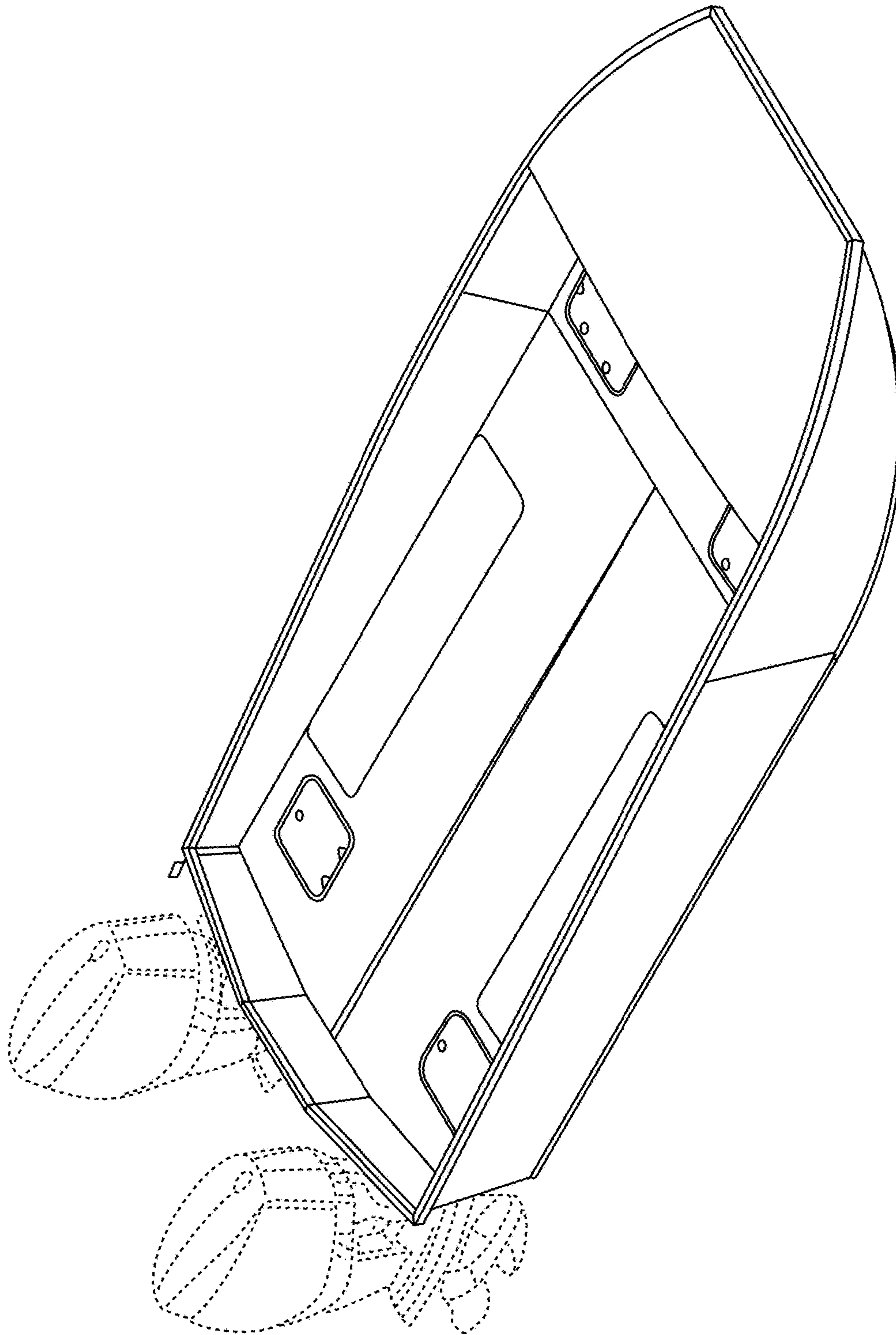


FIG. 4

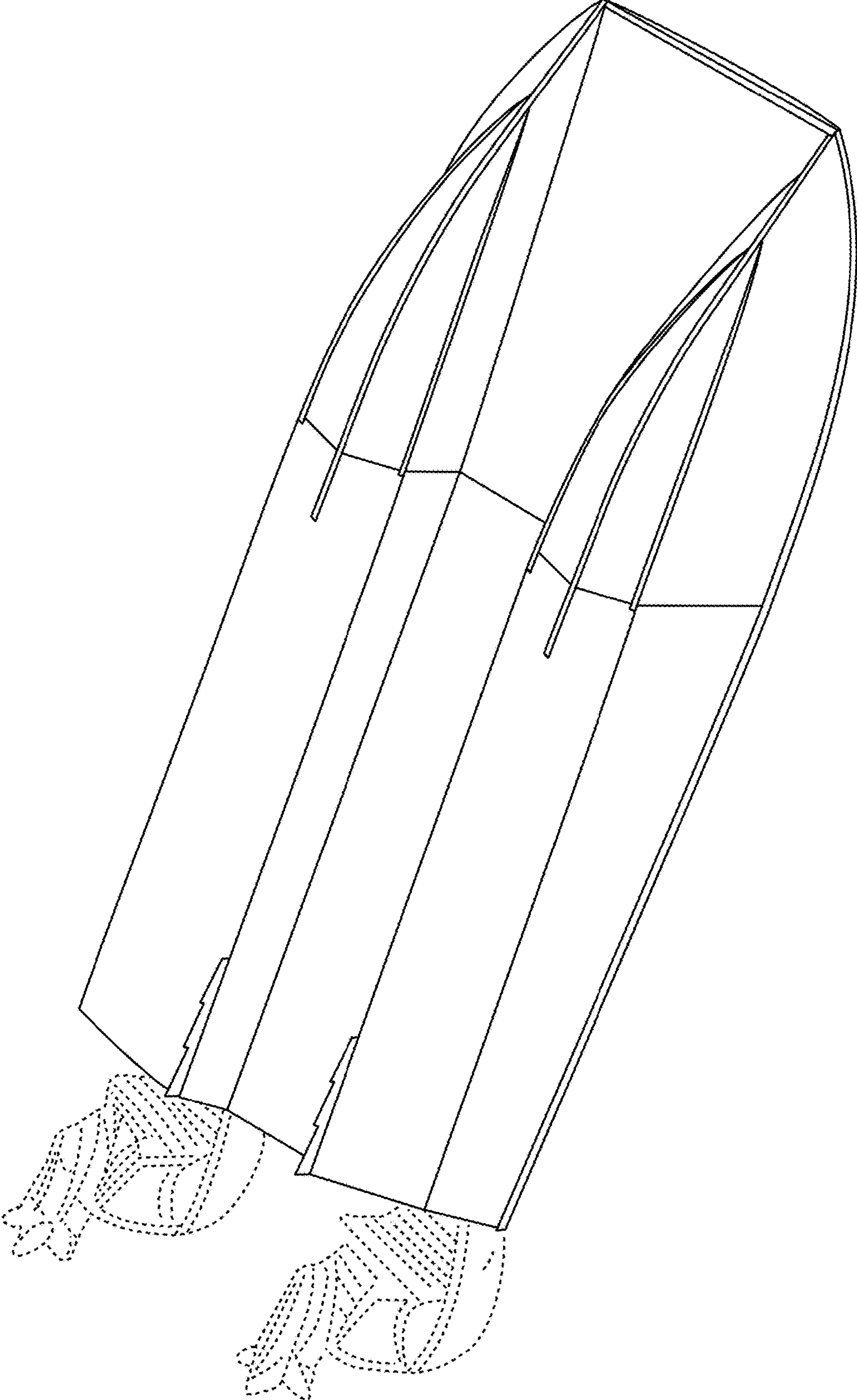


FIG. 5

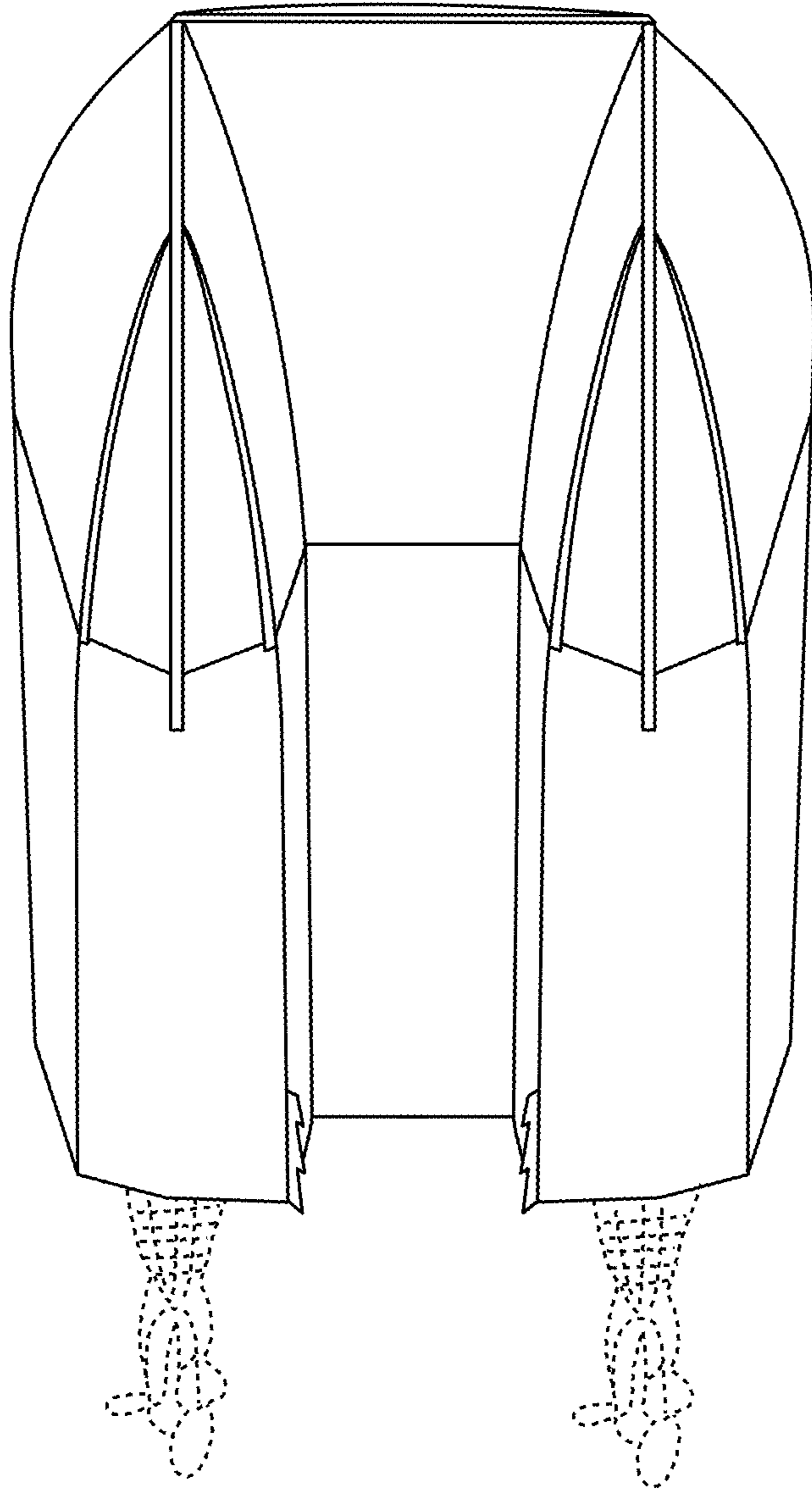


FIG. 6

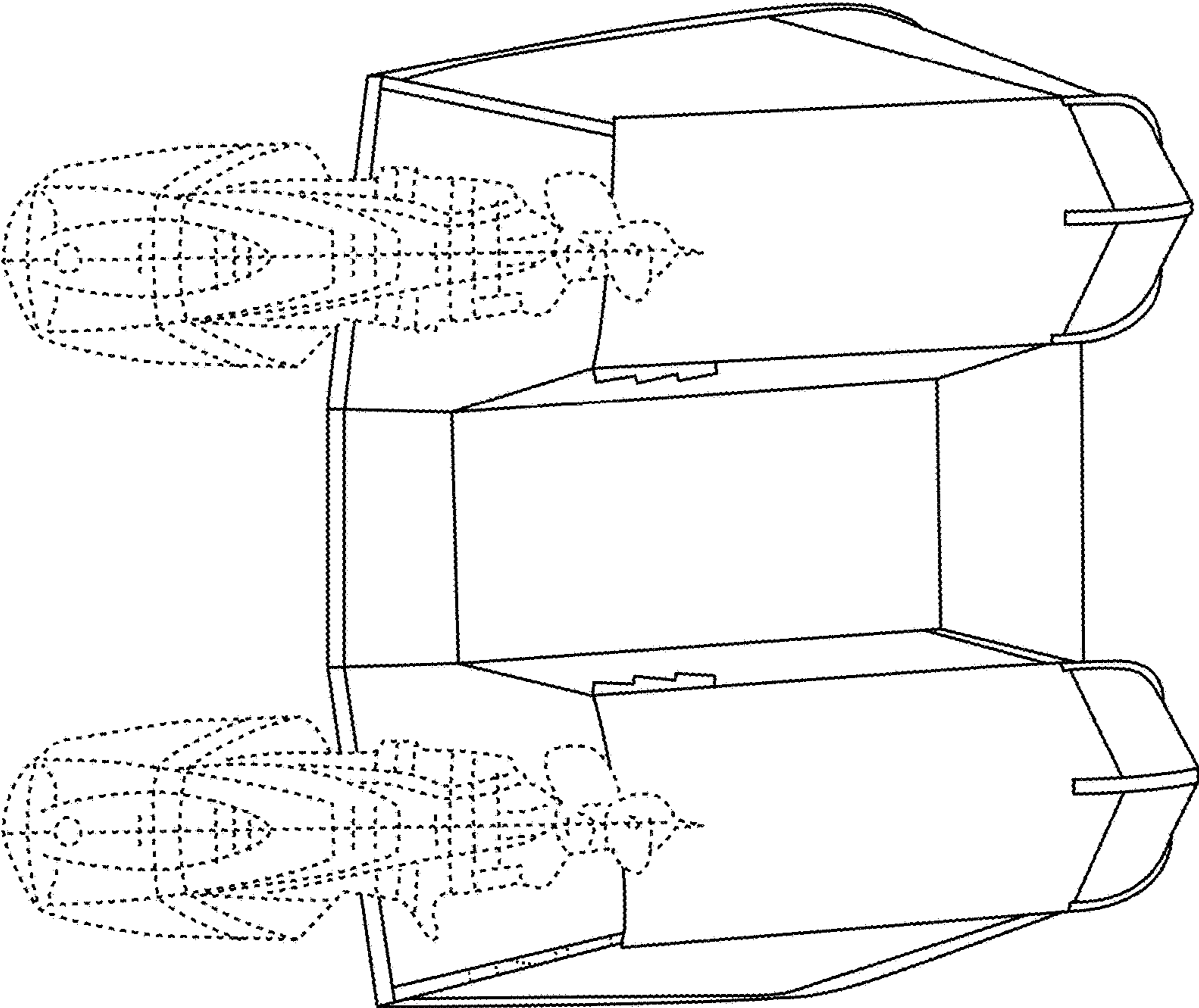


FIG. 7

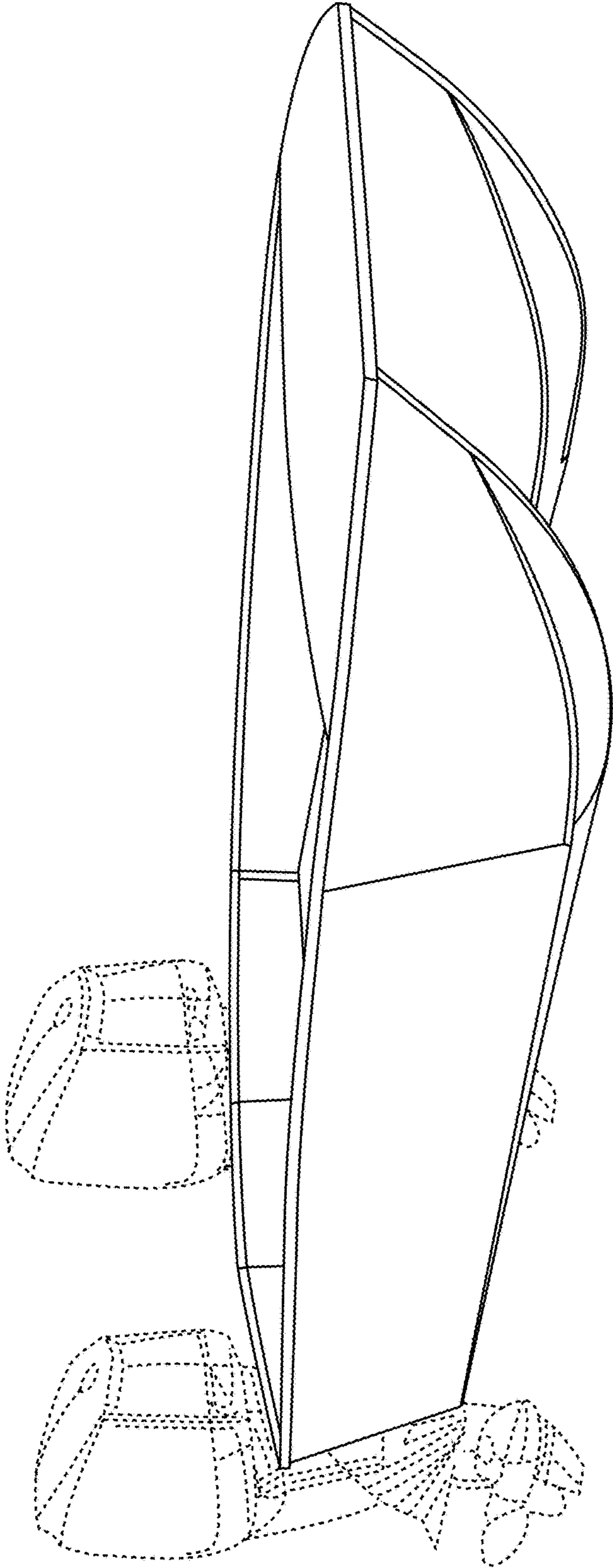


FIG. 8